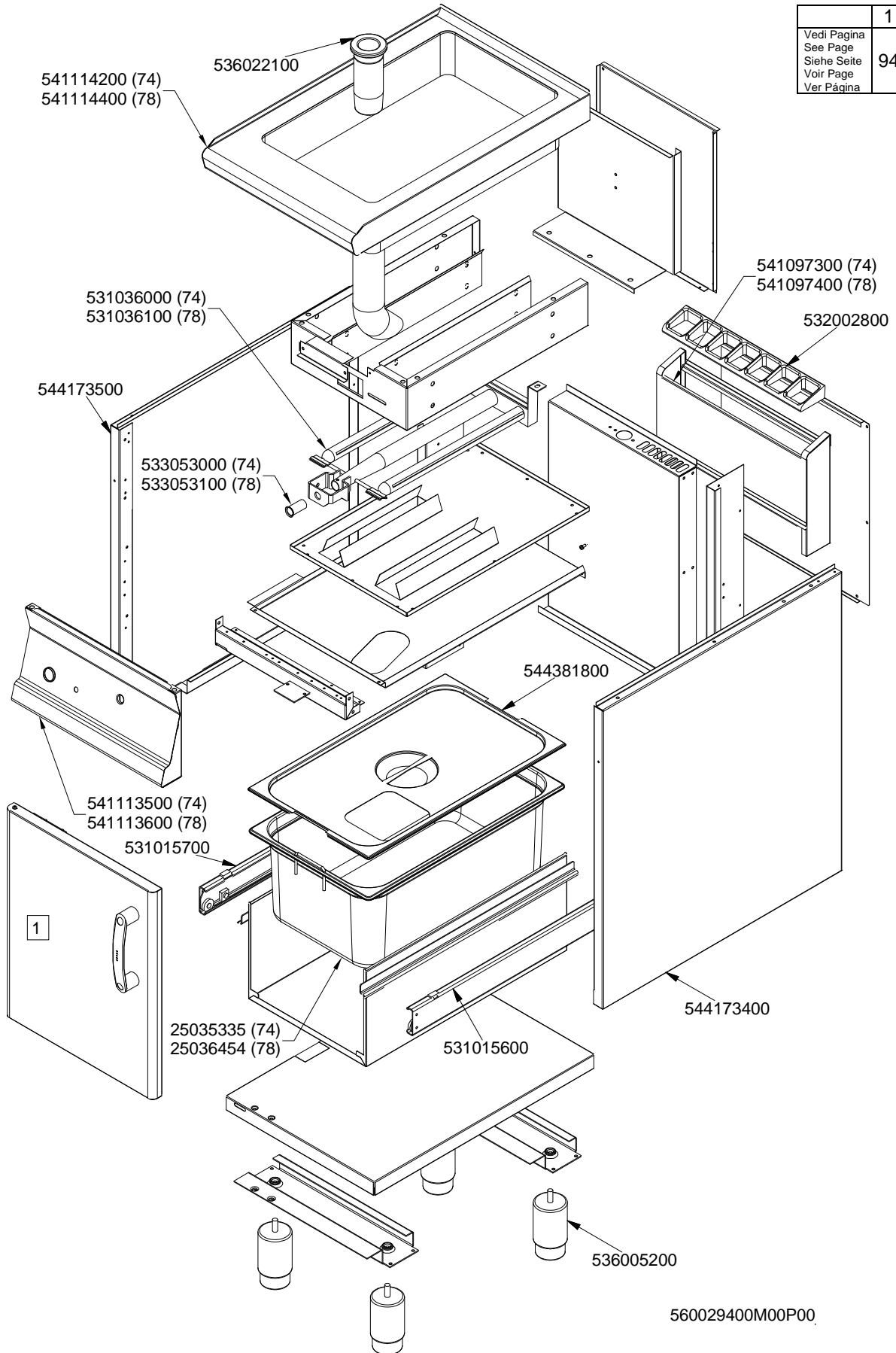


BRF-74G BRF-78G

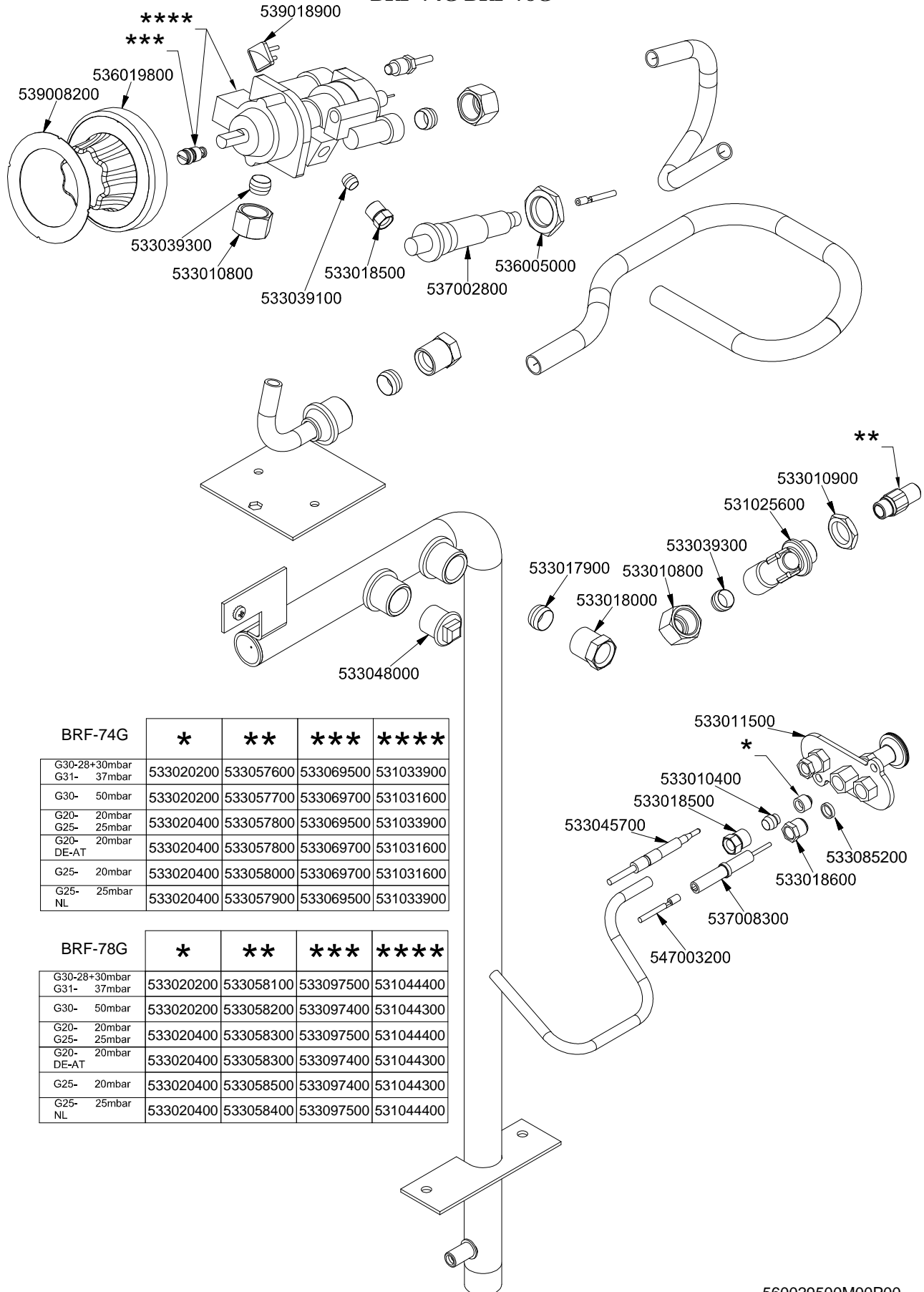
	1
Vedi Pagina See Page Siehe Seite Voir Page Ver Página	94



SUPERLOTUS 70≤0601

GAS / GAS / GAS / GAZ

BRF-74G BRF-78G

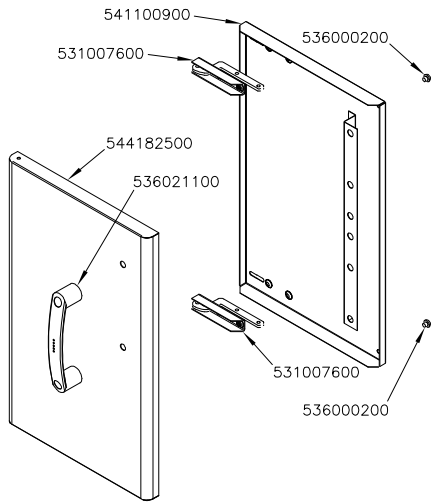


BRF-74G	*	**	***	****
G30-28+30mbar G31- 37mbar	533020200	533057600	533069500	531033900
G30- 50mbar	533020200	533057700	533069700	531031600
G20- 20mbar G25- 25mbar	533020400	533057800	533069500	531033900
G20- DE-AT	533020400	533057800	533069700	531031600
G25- 20mbar	533020400	533058000	533069700	531031600
G25- NL	533020400	533057900	533069500	531033900

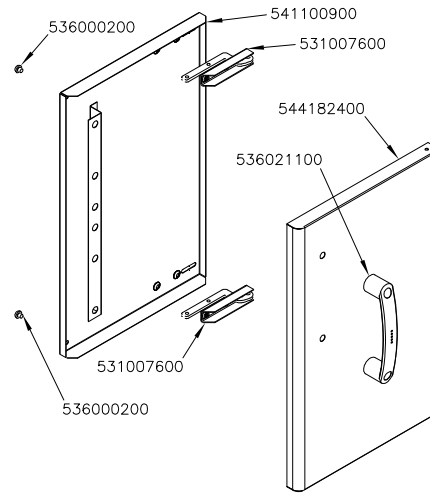
BRF-78G	*	**	***	****
G30-28+30mbar G31- 37mbar	533020200	533058100	533097500	531044400
G30- 50mbar	533020200	533058200	533097400	531044300
G20- 20mbar G25- 25mbar	533020400	533058300	533097500	531044400
G20- DE-AT	533020400	533058300	533097400	531044300
G25- 20mbar	533020400	533058500	533097400	531044300
G25- NL	533020400	533058400	533097500	531044400

560029500M00P00

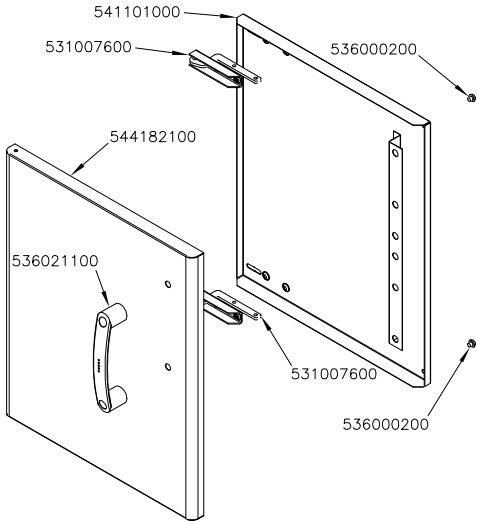
PORTE / DOORS / FLÜGELÜREN / PORTES



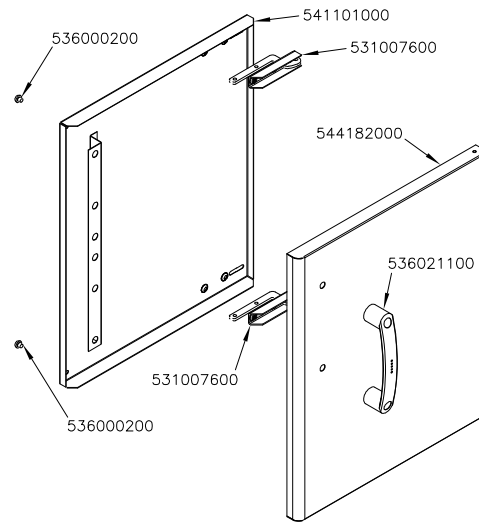
P-73/93 SX



P-73/93 DX

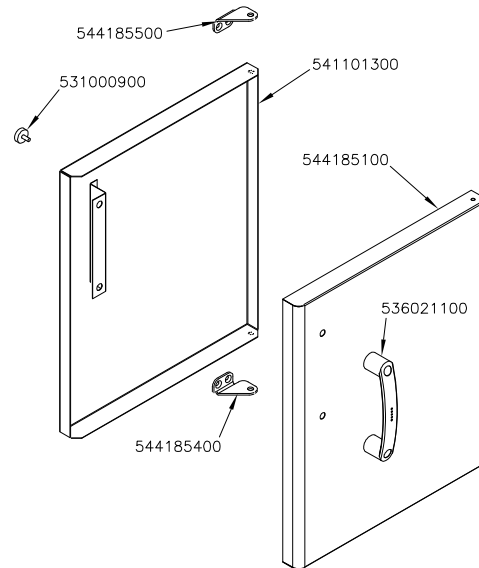


P-74/94 SX



P-74/94 DX

560012800M00P00



P-74/94 DX CF

Page	Pos	Code	Description
001		536022100	PLUG FOR BRF BASIN
001		532002800	GRID FOR PIPE L=370 S.70
001		541114400	UPPER PLATE BRF-78G
001		544173500	LEFT SIDE PANEL S.70
001		541097400	SPACER 78G - 2 DRAINS
001		531036100	FRYER BURNER BRF-78G
001		533053100	AIR ADJUSTMENT BUSHING §20
001		531015700	LHD TELESCOPIC GUIDE RS50 L=570
001		544381800	GN1/1 LID BRF W/MANUAL DISCHARGE
001		541113600	UPPER PLATE BRF-78G
001		544173400	RIGHT SIDE PANEL S.70
001		25036454	
001		531015600	RHD TELESCOPIC GUIDE RS50 L=570
001		536005200	INOX LEG 2" 120-180 M10
002		539018900	INDEX FOR KNOB
002		536019800	BLACK KNOB §70 PIN §8*6,5
002		539008200	ADHESIVE GRADUATED DISC FOR KNOB
002		533039300	BICONE §10
002		533010800	TUBE NUT D.10 M16*1,5
002		533039100	BICONE §6
002		533018500	FITTING FOR BICONE D.6 M10*1
002		537002800	PIEZOELECTRIC IGNITION M18
002		536005000	NUT M18 FOR PIEZOELECTRIC IGNITION
002		533010900	NUT M14*1 H.4
002		531025600	ELBOW 90° NOZZLE-HOLDER §10 PIPE
002		533017900	BICONE D.12
002		533018000	ELBOW FOR BICONE D.12 3/8 RS L20
002		533048000	THREADED CAP 3/8"G
002		533011500	PILOT BURNER 2 FLAMES 220
002		533010400	BICONE D.6
002		533045700	THERMOCOUPLE M9*1 500
002		533085200	
002		533018600	PLUG FITTING
002		537008300	ROUND PLUG §2,4- LONG ELECTRODE
002		547003200	HIGH-VOLTAGE CABLE TUBE.§2 L=500
002		533020200	PILOT JETS 0160 FOR LPG §30
002		533058100	NOZZLE §190 CH12*30 G-BRF78
002		533097500	BY PASS COCK §125 25ST
002		531044400	HORIZ.THERMOSTATIC TAP B.PASS §125
002		533058200	NOZZLE §165A CH12*30 F-BRF78
002		533097400	BY PASS COCK §110 25ST
002		531044300	HORIZ.THERMOSTATIC TAP B.PASS §110
002		533020400	NOZZLE 0160 (NATURAL GAS) 51
002		533058300	NOZZLE §300A CH12*30 H-BRF78
002		533058500	NOZZLE §350 CH12*30 L-BRF78
002		533058400	NOZZLE §320 CH12*30 NL-BRF78
003		541100900	INNER DOOR 73
003		536000200	D.12 H.4 BUMPER
003		531007600	DOOR HINGE
003		544182500	RIGHT DOOR 73
003		536021100	BLACK HANDLE 70LINE + 2RED POINTS

Page	Pos	Code	Description
003		544182400	RIGHT DOOR 73
003		541101000	INNER DOOR 74
003		544182100	LEFT DOOR 74
003		544182000	RIGHT DOOR 74
003		544185500	UPPER DOOR HINGE FOR COMPARTME CF70
003		541101300	RIGHT INNER DOOR 74 CF
003		531000900	MAGNET §22 KG.3 WITH DISK
003		544185100	RIGHT DOOR 74
003		544185400	LOWER DOOR HINGE FOR COMPARTME CF70