

# DISHWASHER

ELECTROMECHANICAL SWITCHES  
LOWER AND UPPER WASHING

TYPE: 38U

Accessories

BOOSTER PUMP

DVGW

WATER SOFTNER

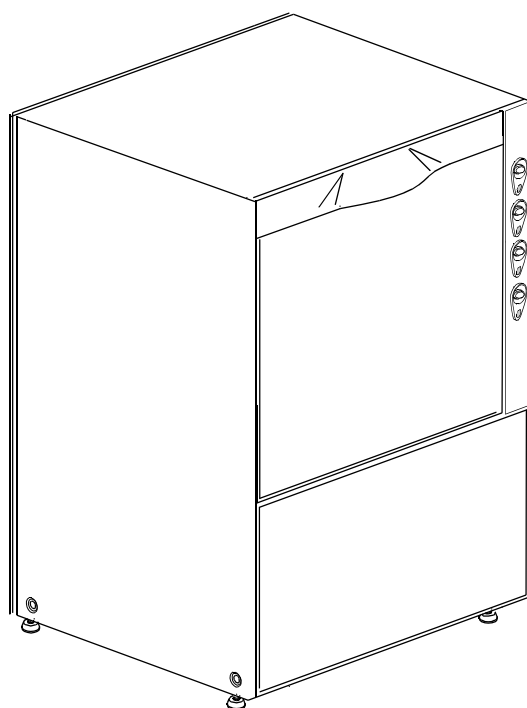
DETERGENT DISPENSER

DRAIN PUMP

---

## Spare parts manual

---





## 1. Spare parts

|                                       |    |
|---------------------------------------|----|
| General body parts.....               | 7  |
| Lockup system .....                   | 9  |
| Control panel .....                   | 11 |
| Control electric components.....      | 13 |
| Solenoid valve group .....            | 15 |
| Solenoid valve group .....            | 17 |
| Booster pump.....                     | 19 |
| DVGW .....                            | 21 |
| Water softner group.....              | 23 |
| Shining product dosing device group . | 25 |
| Boiler group .....                    | 27 |
| Derivation group .....                | 29 |
| Wash pump .....                       | 31 |
| Dosing device group .....             | 33 |
| Dosing device group .....             | 35 |
| Drain pump group.....                 | 37 |

**Pressure switch group with air trap ...39**

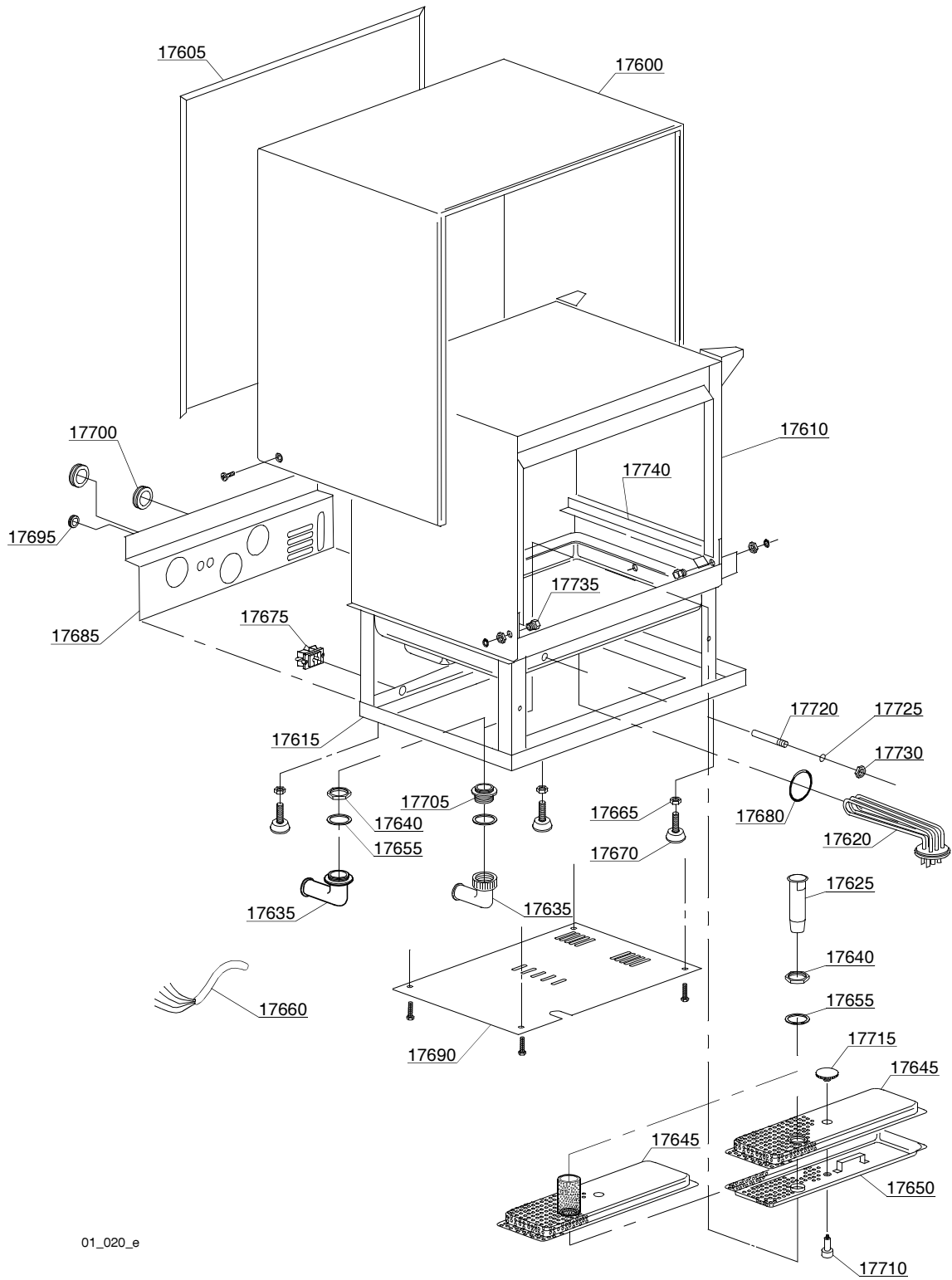
**Turret group with rotating arms .....41**

## 1.1 Voltage codes

| Voltage code | Voltage              |
|--------------|----------------------|
| A            | 3/N/PE~400/230V 50Hz |
| B            | ~250V 16A 50Hz       |
| C            | 3/N/PE~380/220V 50Hz |
| D            | 3/PE~200V 50-60Hz    |
| F            | 2/PE 220-240V 50Hz   |
| G            | 3/N/PE~415/240V 50Hz |
| H            | 3/PE~230V 50Hz       |
| I            | 3/PE~220V 60Hz       |
| J            | 3/PE~380 50Hz        |
| K            | 3/PE~400V 50Hz       |
| L            | 3/PE~415V 50Hz       |
| M            | 3/PE~440V 60Hz       |
| N            | 3/PE~460V 60Hz       |
| O            | 3/PE~480V 60Hz       |
| P            | 1/N/PE~220-240V 50Hz |
| R            | 2/PE~220-230V 60Hz   |
| S            | 3/N/PE~400/230V 50Hz |
| T            | 3/PE~230V 60Hz       |

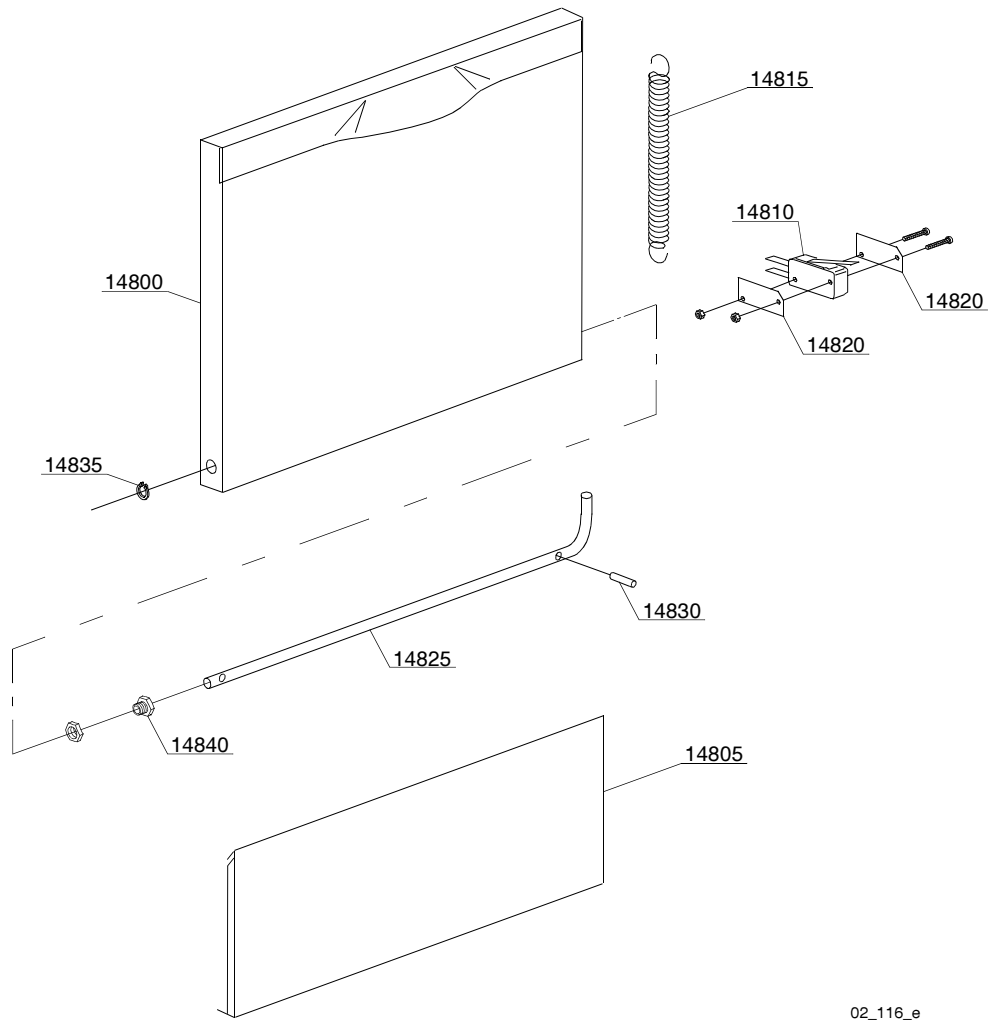
## 1.2 Product codes

| Product code    | Full name                  |
|-----------------|----------------------------|
| Model codes     |                            |
| em              | ELECTROMECHANICAL SWITCHES |
| ls              | LOWER AND UPPER WASHING    |
| Type codes      |                            |
| 38U             | 38U                        |
| Accessory codes |                            |
| pap             | BOOSTER PUMP               |
| dvgw            | DVGW                       |
| d               | WATER SOFTNER              |
| dde             | DETERGENT DISPENSER        |
| ps              | DRAIN PUMP                 |



01\_020\_e

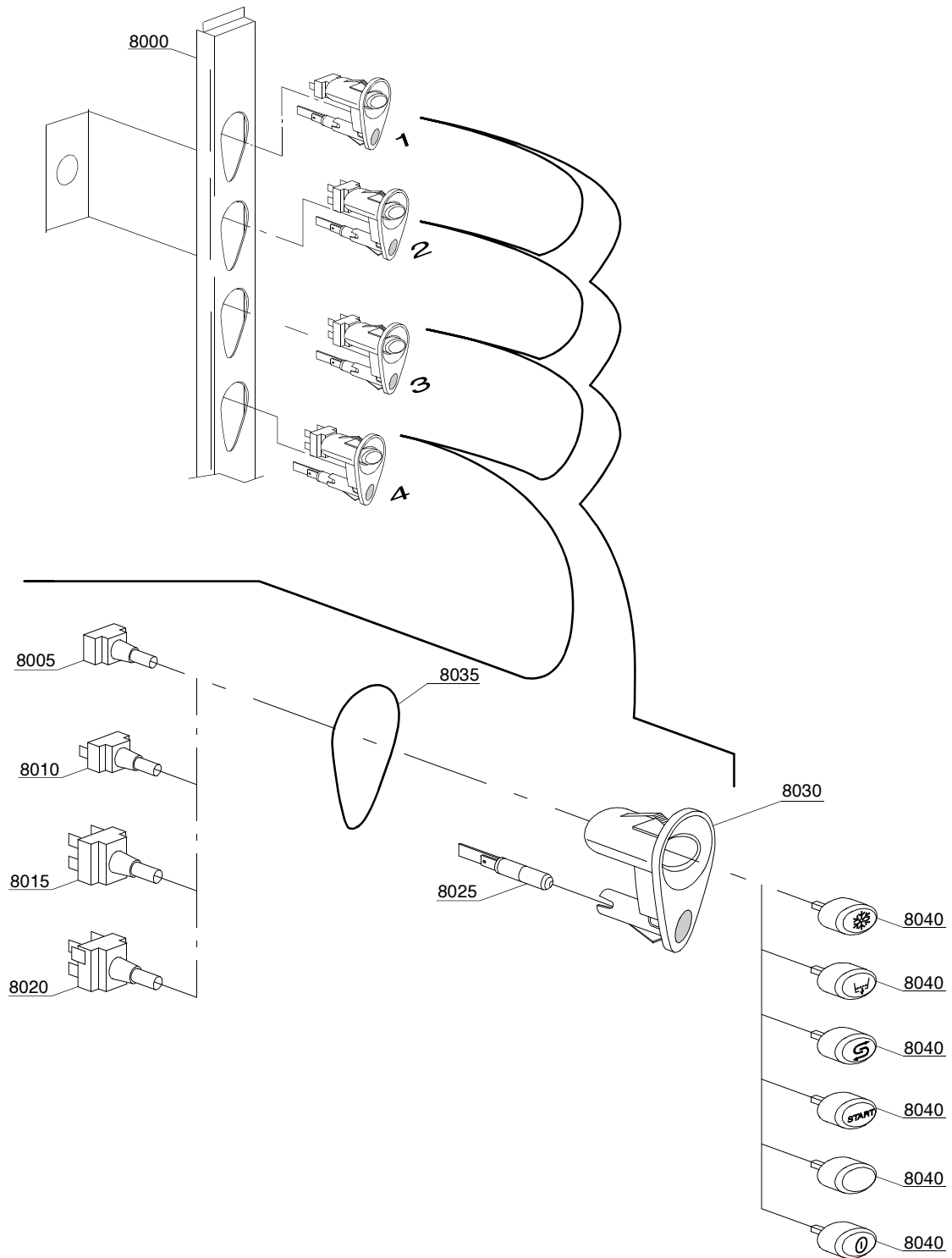




02\_116\_e

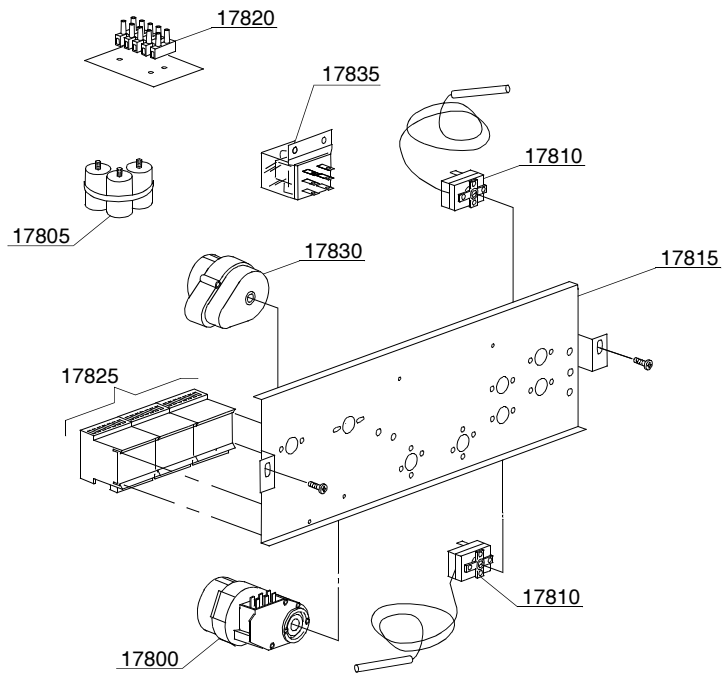






03\_015\_e

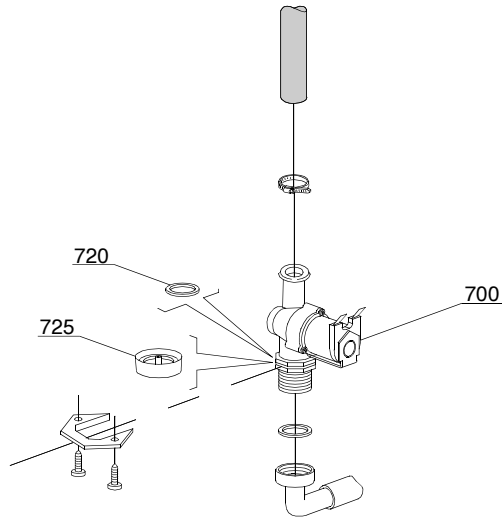




04\_018\_e

## Spare parts

| ID                                 | P-code  | Model | Type | Accessory | Voltage | Description                           |
|------------------------------------|---------|-------|------|-----------|---------|---------------------------------------|
| MODULE:Control electric components |         |       |      |           |         |                                       |
| 17800                              | 10708/B |       | 38U  |           | A       | "120"" timer - 60Hz"                  |
| 17805                              | 15149   |       | 38U  |           |         | Low noise filter                      |
| 17810                              | 10707/1 |       | 38U  |           |         | 0-90°C thermostat                     |
| 17815                              | 575906  |       | 38U  |           |         | Electric components panel             |
| 17820                              | 15119   |       | 38U  |           |         | Terminal board                        |
| 17825                              | 15086   |       | 38U  |           |         | Remote control switch 230V 50/60Hz 4C |
| 17825                              | 15086/B |       | 38U  |           |         | Remote control switch 240V 50Hz       |
| 17825                              | 15086/T |       | 38U  |           |         | 200V 50/60HZ remote control switch    |
| 17830                              | 16064/A |       | 38U  | ws        |         | Regeneration timer                    |
| 17835                              | 15620   |       | 38U  | dp,ws     |         | 16A bipolar relay                     |
|                                    |         |       |      |           |         |                                       |
|                                    |         |       |      |           |         |                                       |

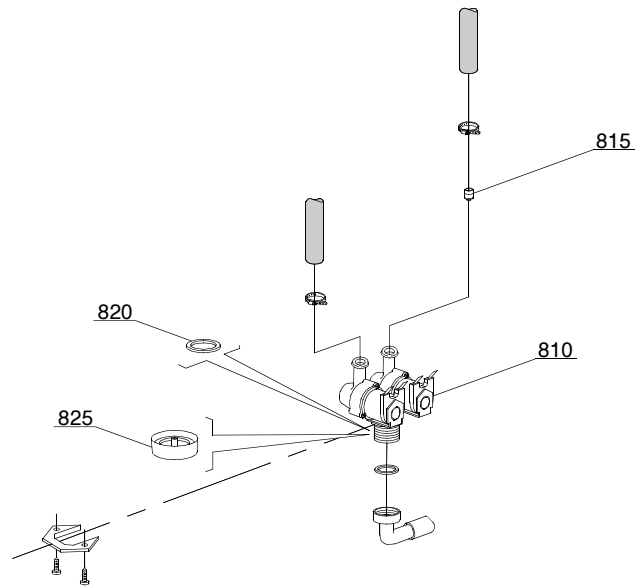


05\_002\_e

## Spare parts

---

| ID                          | P-code | Model | Type | Accessory | Voltage | Description             |
|-----------------------------|--------|-------|------|-----------|---------|-------------------------|
| MODULE:Solenoid valve group |        |       |      |           |         |                         |
| 700                         | 10703  |       | 38U  |           |         | Single solenoid valve   |
| 720                         | N.C.   |       | 38U  |           |         | Pression reducing valve |



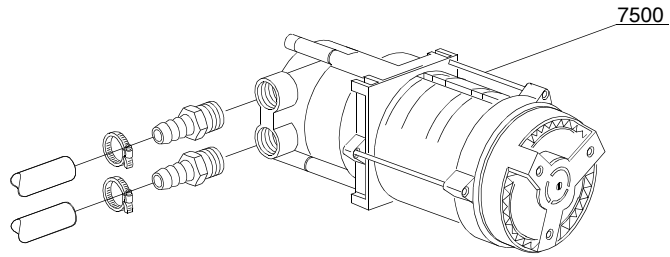
05\_003\_e



## Spare parts

---

| ID                          | P-code | Model | Type | Accessory | Voltage | Description                 |
|-----------------------------|--------|-------|------|-----------|---------|-----------------------------|
| MODULE:Solenoid valve group |        |       |      |           |         |                             |
| 810                         | 15098  |       | 38U  | cr,ws     |         | Double solenoid valve - Ø10 |
| 820                         | N.C.   |       | 38U  | cr,ws     |         | Pression reducing valve     |
|                             |        |       |      |           |         |                             |
|                             |        |       |      |           |         |                             |

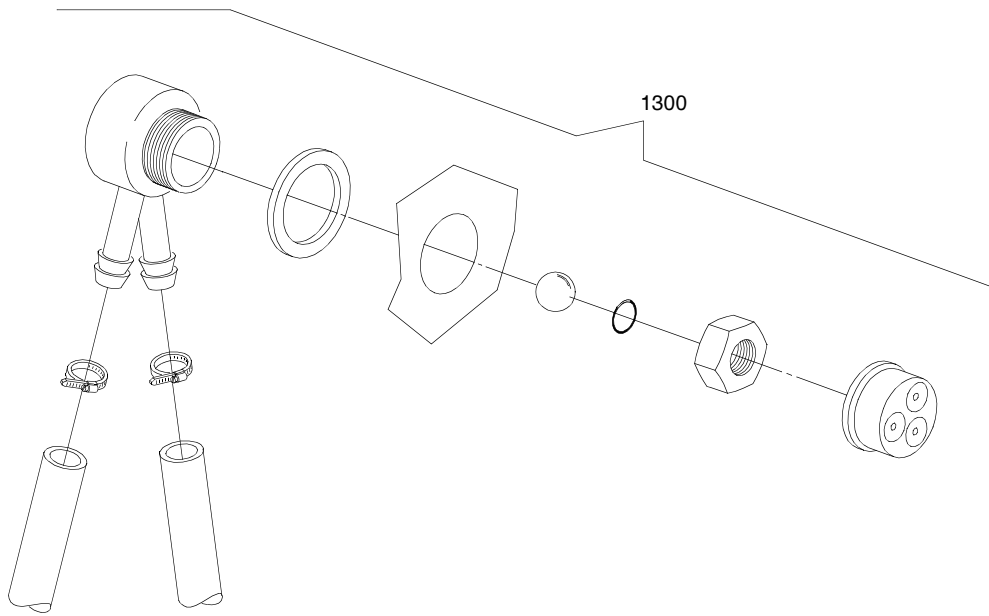


07\_003\_e

**Spare parts**

---

| ID                  | P-code  | Model | Type | Accessory | Voltage | Description  |
|---------------------|---------|-------|------|-----------|---------|--------------|
| MODULE:Booster pump |         |       |      |           |         |              |
| 7500                | 15100/D |       | 38U  | bp        |         | Booster pump |
|                     |         |       |      |           |         |              |
|                     |         |       |      |           |         |              |



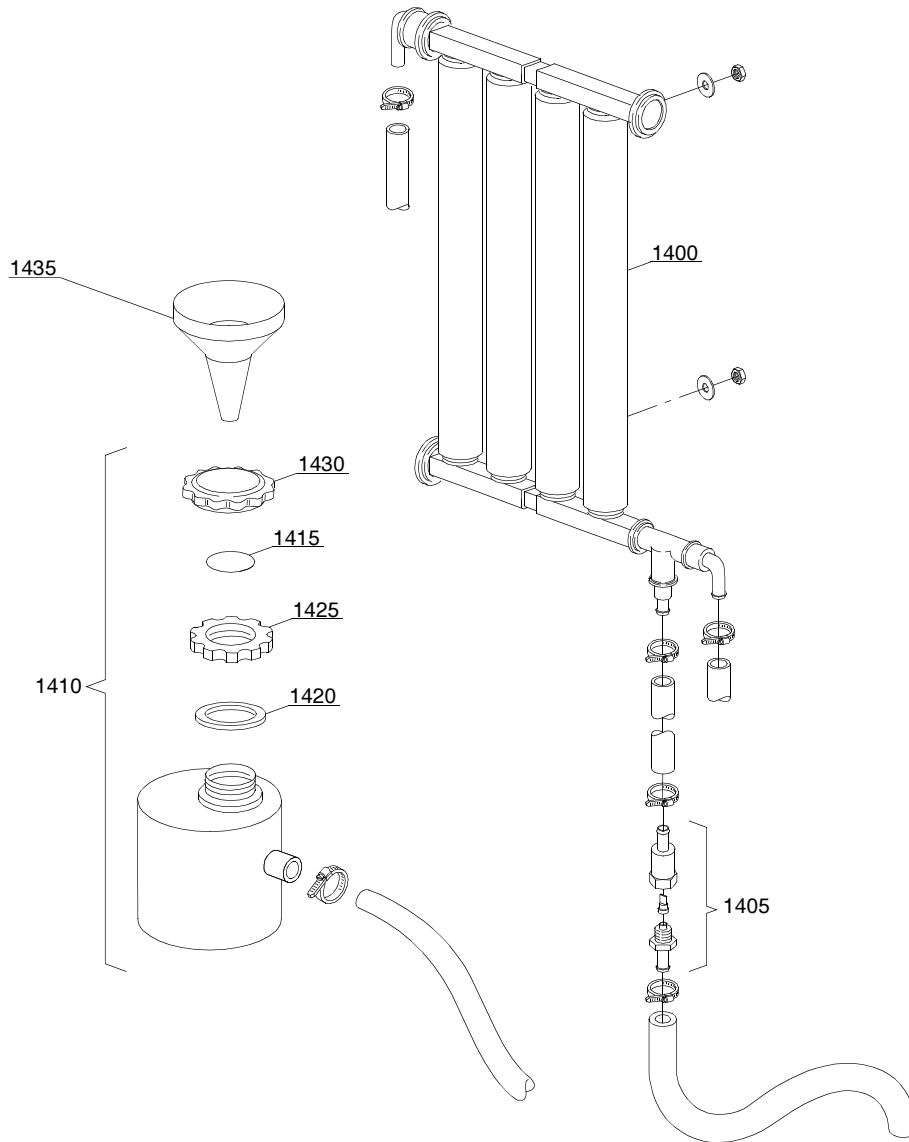
08\_005\_e

**Spare parts**

---

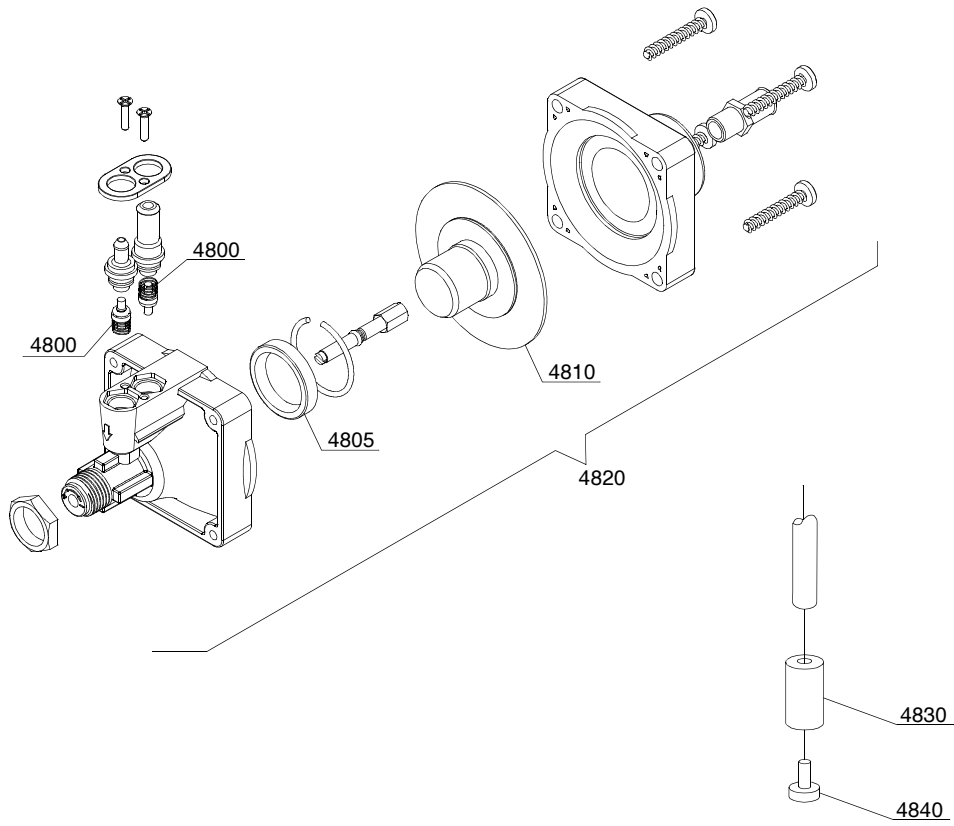
| ID           | P-code    | Model | Type | Accessory | Voltage | Description   |
|--------------|-----------|-------|------|-----------|---------|---------------|
| MODULE: DVGW |           |       |      |           |         |               |
| 1300         | 999900006 |       | 38U  | dvgw      |         | DVGW assembly |
|              |           |       |      |           |         |               |

09\_001\_e



## Spare parts

| ID                         | P-code  | Model | Type | Accessory | Voltage | Description              |
|----------------------------|---------|-------|------|-----------|---------|--------------------------|
| MODULE:Water softner group |         |       |      |           |         |                          |
| 1400                       | 16066   |       | 38U  | ws        |         | 4 elements water softner |
| 1405                       | 16070   |       | 38U  | ws        |         | Nonreturn valve          |
| 1410                       | 16065   |       | 38U  | ws        |         | Salt container           |
| 1415                       | 16067/A |       | 38U  | ws        |         | OR gasket                |
| 1420                       | 16067/B |       | 38U  | ws        |         | Gasket                   |
| 1425                       | 16067/C |       | 38U  | ws        |         | Ring nut                 |
| 1430                       | 16067/D |       | 38U  | ws        |         | Plug                     |
| 1435                       | 16082   |       | 38U  | ws        |         | Funnel                   |
|                            |         |       |      |           |         |                          |
|                            |         |       |      |           |         |                          |
|                            |         |       |      |           |         |                          |
|                            |         |       |      |           |         |                          |



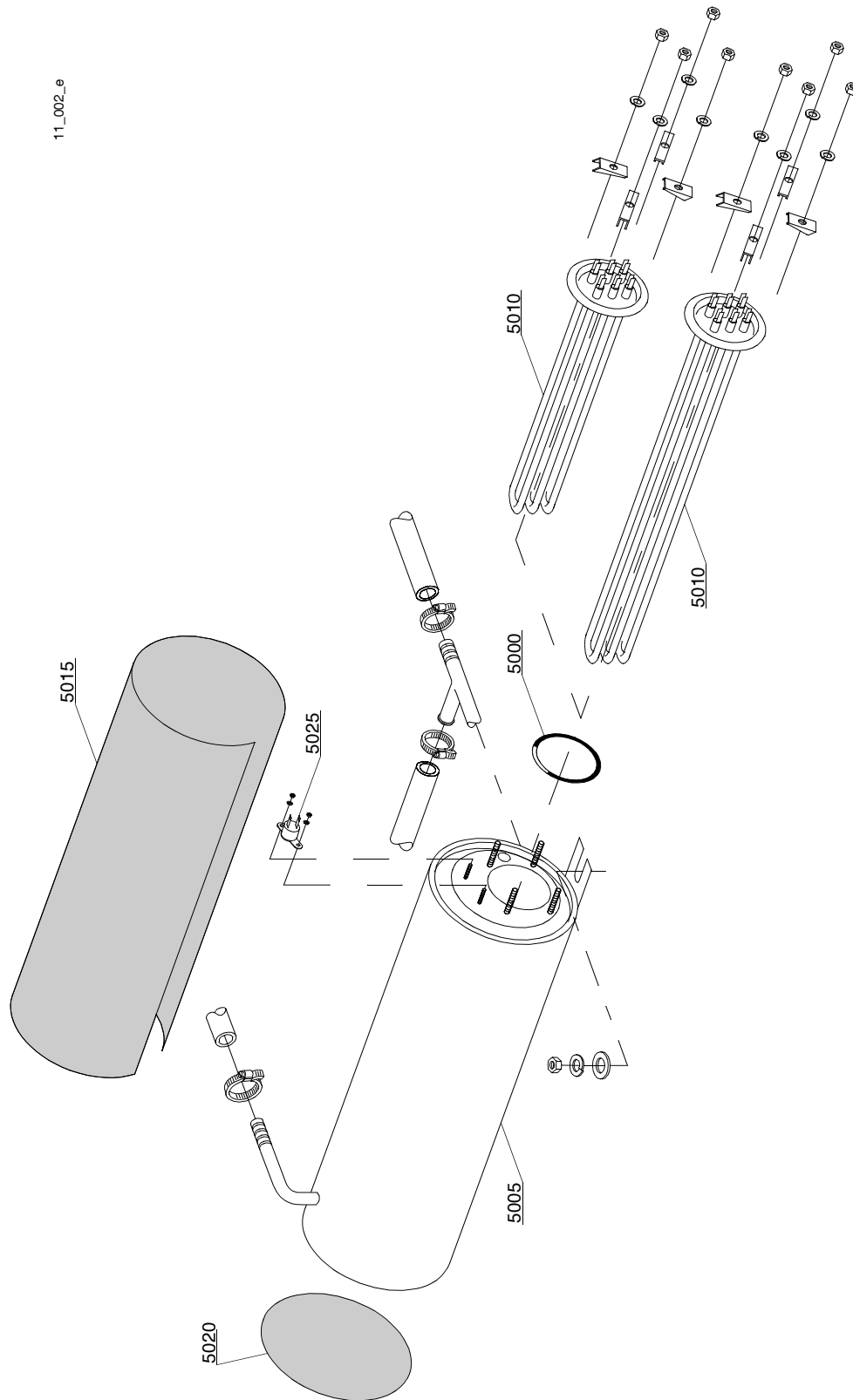
10\_004\_e



## Spare parts

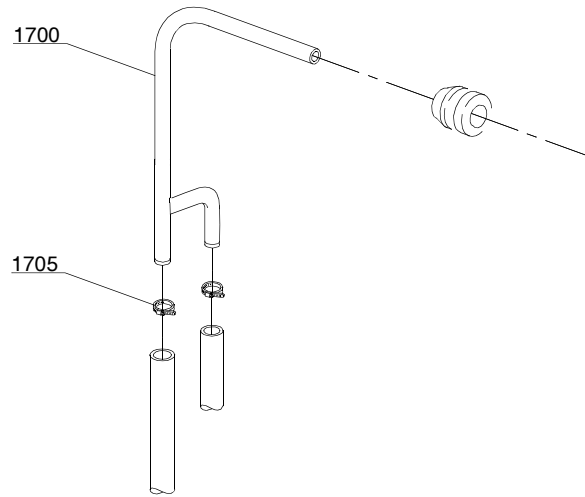
---

| ID   | P-code | Model | Type | Accessory | Voltage | Description                   |
|--|--------|-------|------|-----------|---------|-------------------------------|
| MODULE:Shining product dosing device group |        |       |      |           |         |                               |
| 4800                                       | 10805  |       | 38U  |           |         | Tecnopro dosing valve         |
| 4805                                       | 10806  |       | 38U  |           |         | Ø22 gasket                    |
| 4810                                       | 10807  |       | 38U  |           |         | Membrane                      |
| 4820                                       | 10799  |       | 38U  |           |         | Shining product dosing device |
| 4830                                       | 12525  |       | 38U  |           |         | Counter-weight                |
| 4840                                       | 15058  |       | 38U  |           |         | Small filter                  |
|  |        |       |      |           |         |                               |
|  |        |       |      |           |         |                               |
|  |        |       |      |           |         |                               |





12\_007\_e

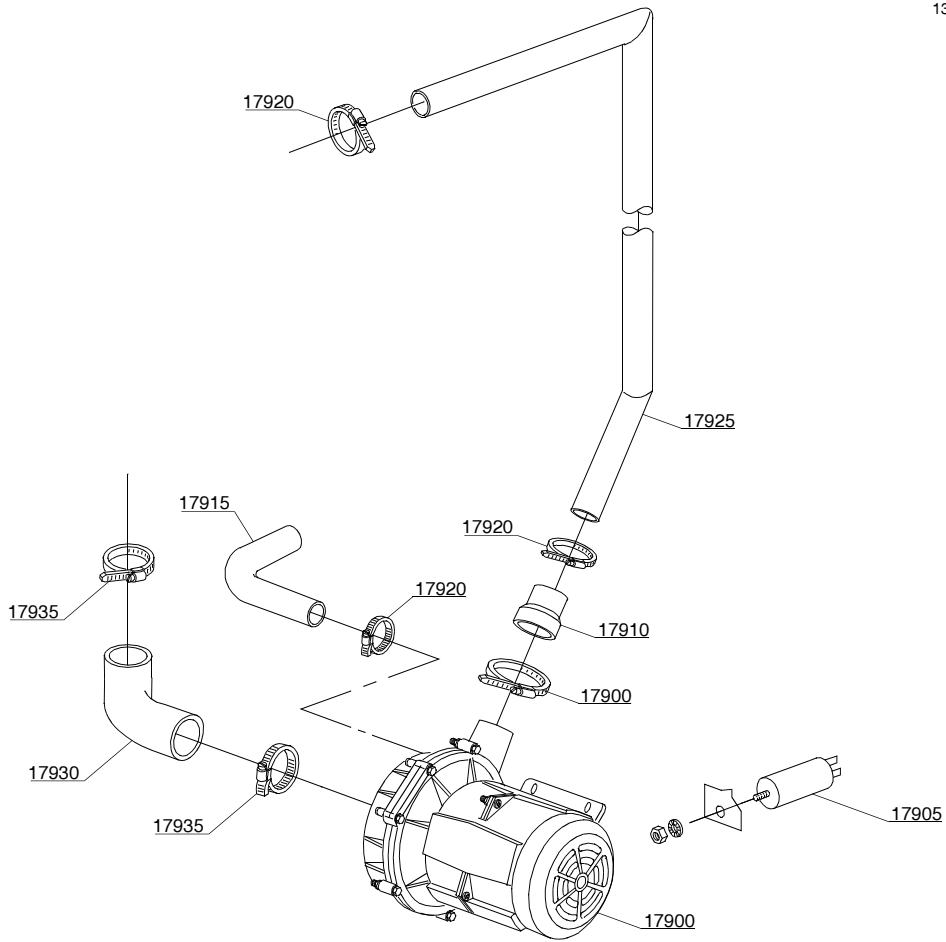


## Spare parts

---

| ID                      | P-code  | Model | Type | Accessory | Voltage | Description       |
|-------------------------|---------|-------|------|-----------|---------|-------------------|
| MODULE:Derivation group |         |       |      |           |         |                   |
| 1700                    | 15045/B |       | 38U  |           |         | 3 ways derivation |
| 1705                    | 11807   |       | 38U  |           |         | 12/22 clamp       |
|                         |         |       |      |           |         |                   |
|                         |         |       |      |           |         |                   |

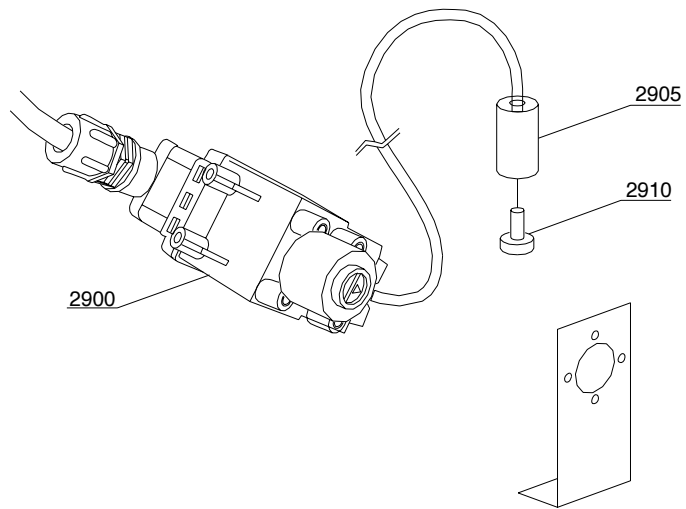
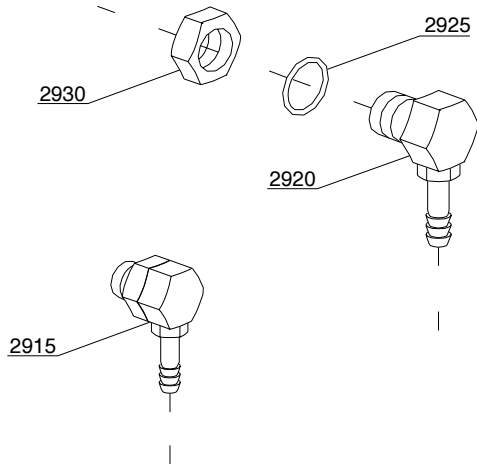
13\_114\_e



## Spare parts

| ID               | P-code  | Model | Type | Accessory | Voltage | Description                    |
|------------------|---------|-------|------|-----------|---------|--------------------------------|
| MODULE:Wash pump |         |       |      |           |         |                                |
| 17900            | 15908/D |       | 38U  |           | A       | 0,75Hp wash pump               |
| 17900            | 15908/O |       | 38U  |           | A       | 0,75Hp - 200Vac wash pump      |
| 17900            | 15908/N |       | 38U  |           |         | 0,75Hp - 200Vac 60Hz wash pump |
| 17905            | 15081   |       | 38U  |           |         | 12,5 uF condenser              |
| 17910            | 15034   |       | 38U  |           |         | Reduction pipe coupling        |
| 17915            | 15033   |       | 38U  |           |         | Lower wash delivery pipe       |
| 17920            | 11806   |       | 38U  |           |         | 25/40 clamp                    |
| 17925            | 575000  |       | 38U  |           |         | Top wash ramp                  |
| 17930            | 15032/A |       | 38U  |           |         | Suction pipe coupling          |
| 17935            | 11824   |       | 38U  |           |         | 50/70 clamp                    |
|                  |         |       |      |           |         |                                |
|                  |         |       |      |           |         |                                |

14\_002\_e

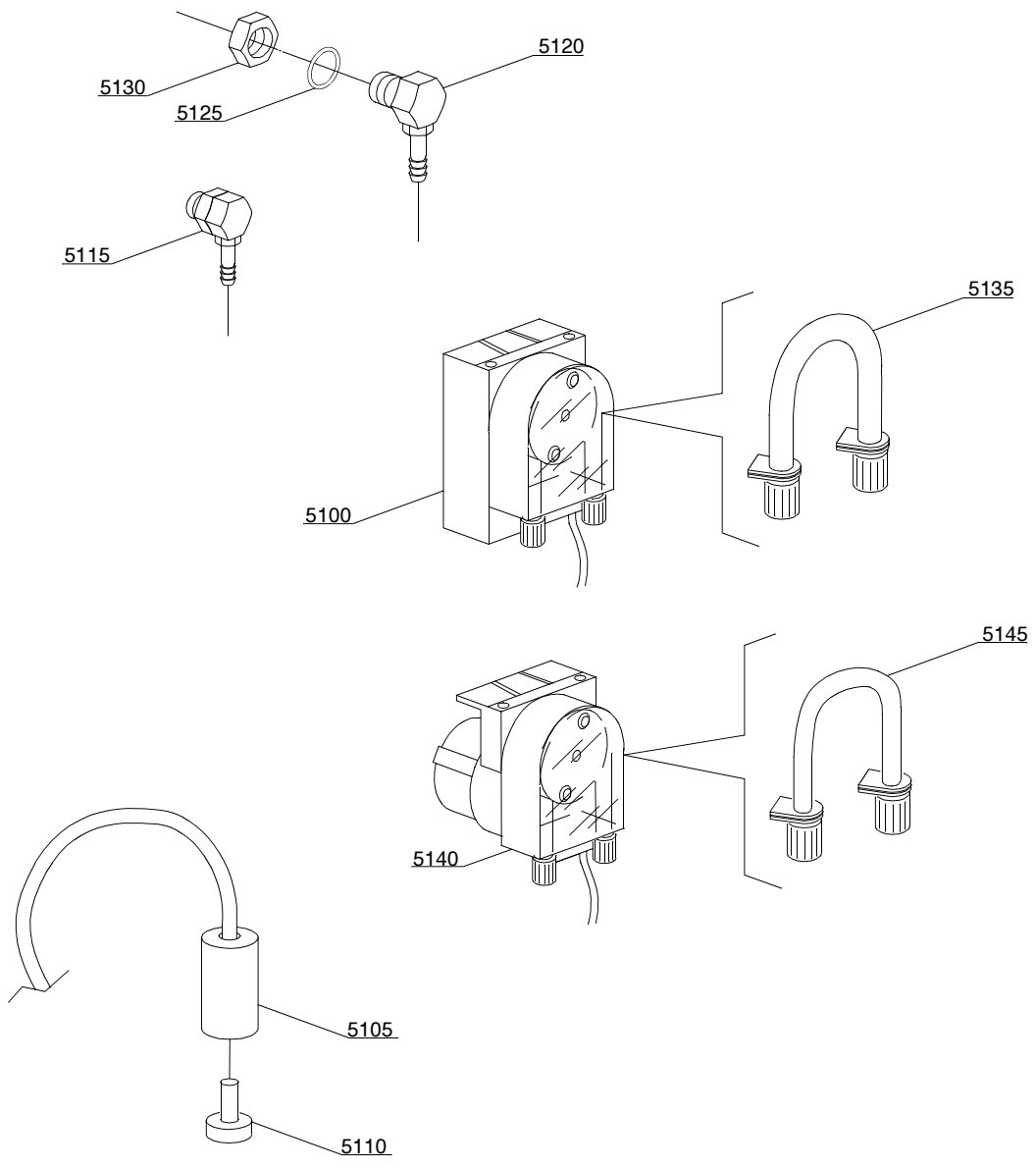




## Spare parts

---

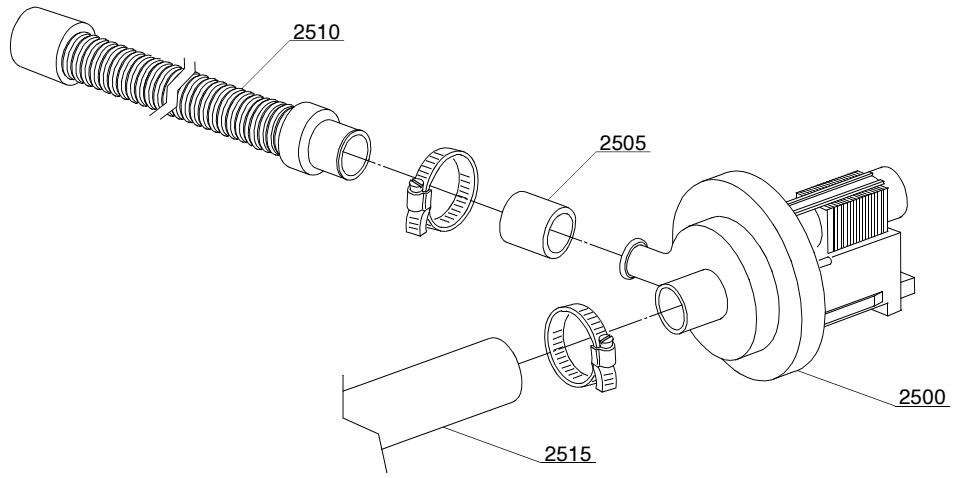
| ID                         | P-code   | Model | Type | Accessory | Voltage | Description               |
|----------------------------|----------|-------|------|-----------|---------|---------------------------|
| MODULE:Dosing device group |          |       |      |           |         |                           |
| 2900                       | 15108/L  |       | 38U  | dd        |         | Lang dosing device        |
| 2905                       | 12525    |       | 38U  | dd        |         | Counter-weight            |
| 2910                       | 15058    |       | 38U  | dd        |         | Small filter              |
| 2915                       | 15123    |       | 38U  | dd        |         | Compleat plastic injector |
| 2920                       | 15148    |       | 38U  | dd        |         | Steel injector            |
| 2925                       | 15159    |       | 38U  | dd        |         | OR gasket                 |
| 2930                       | 10200205 |       | 38U  | dd        |         | M12x1 stainless steel nut |
|                            |          |       |      |           |         |                           |



14\_004\_e

## Spare parts

| ID                         | P-code   | Model | Type | Accessory | Voltage | Description               |
|----------------------------|----------|-------|------|-----------|---------|---------------------------|
| MODULE:Dosing device group |          |       |      |           |         |                           |
| 5100                       | 15985    |       | 38U  | dd        |         | Seko dosing device        |
| 5105                       | 12525    |       | 38U  | dd        |         | Counter-weight            |
| 5110                       | 15058    |       | 38U  | dd        |         | Small filter              |
| 5115                       | 15123    |       | 38U  | dd        |         | Complet plastic injector  |
| 5120                       | 15148    |       | 38U  | dd        |         | Steel injector            |
| 5125                       | 15159    |       | 38U  | dd        |         | OR gasket                 |
| 5130                       | 10200205 |       | 38U  | dd        |         | M12x1 stainless steel nut |
| 5135                       | 15185    |       | 38U  | dd        |         | Seko thermoplastic pipe   |
| 5140                       | 15985    |       | 38U  | dd        |         | Germac dosing device      |
| 5145                       | 15108/E  |       | 38U  | dd        |         | Germac thermoplastic pipe |
|                            |          |       |      |           |         |                           |
|                            |          |       |      |           |         |                           |
|                            |          |       |      |           |         |                           |

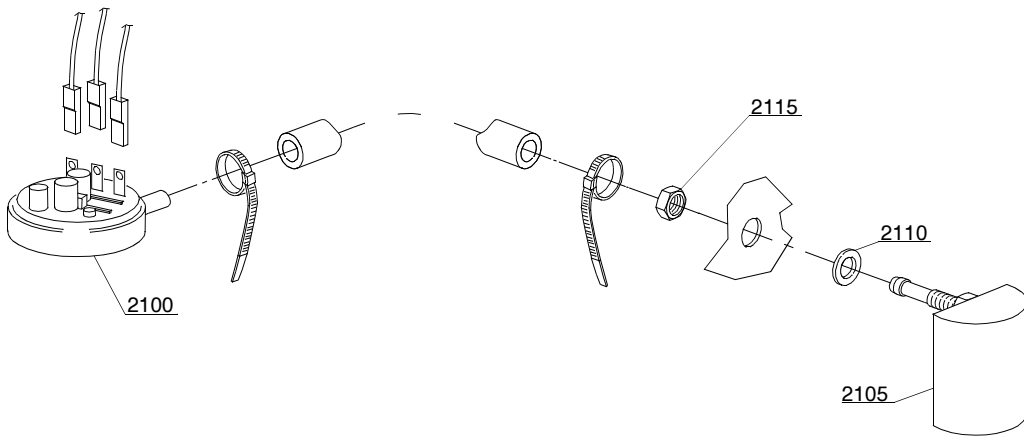


15\_004\_e

## Spare parts

---

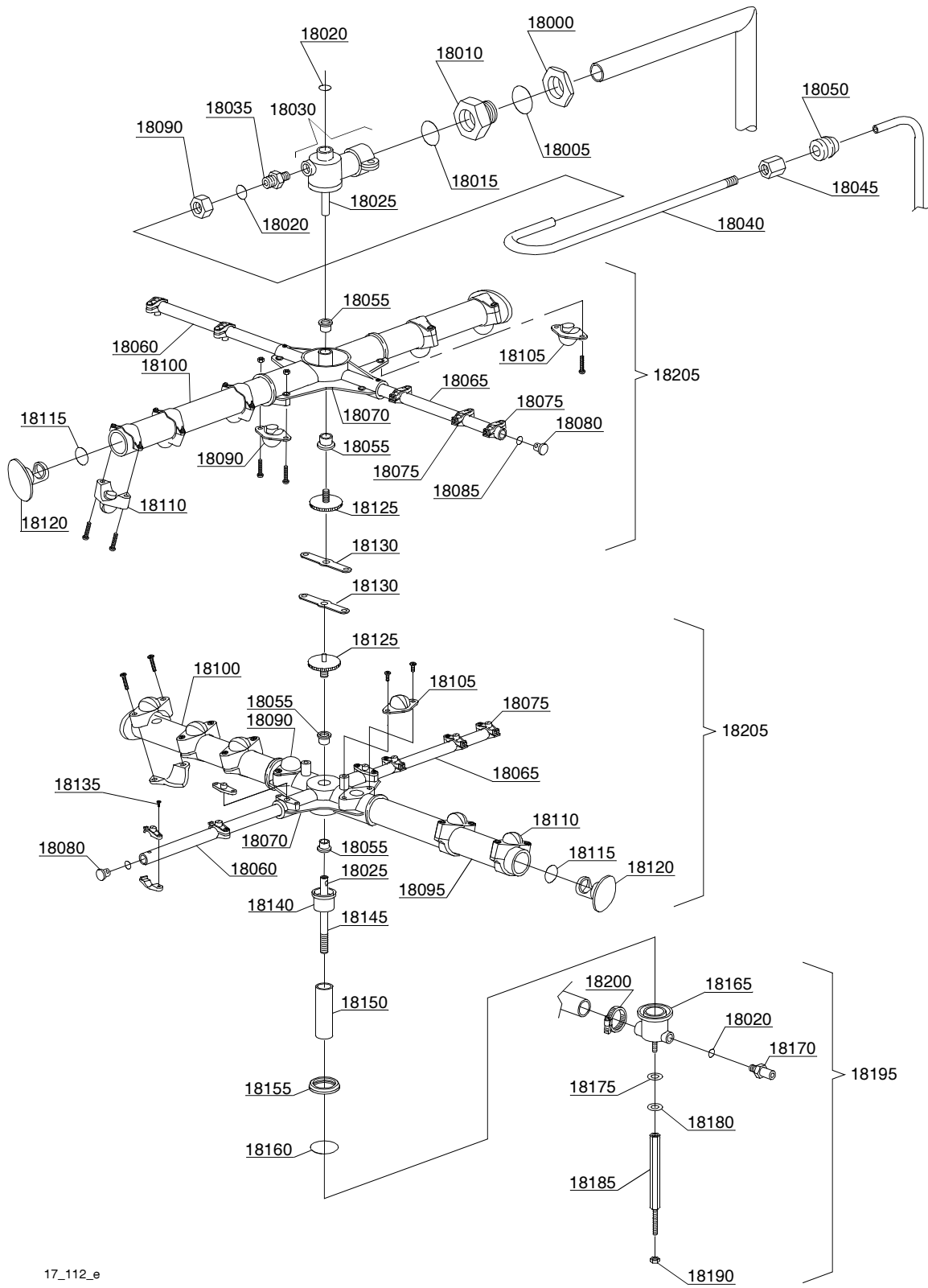
| ID                      | P-code  | Model | Type | Accessory | Voltage | Description                      |
|-------------------------|---------|-------|------|-----------|---------|----------------------------------|
| MODULE:Drain pump group |         |       |      |           |         |                                  |
| 2500                    | 15101   |       | 38U  | dp        |         | Drain pump                       |
| 2505                    | 15101/D |       | 38U  | dp        |         | Pipe fitting                     |
| 2510                    | 10727   |       | 38U  | dp        |         | Drain pipe                       |
| 2515                    | 18767   |       | 38U  | dp        |         | Drain coude/pump connection pipe |
|                         |         |       |      |           |         |                                  |



16\_001\_e

## Spare parts

| ID   | P-code  | Model | Type | Accessory | Voltage | Description            |
|--|---------|-------|------|-----------|---------|------------------------|
| MODULE:Pressure switch group with air trap |         |       |      |           |         |                        |
| 2100                                       | 10706/A |       | 38U  |           |         | 47-27 pressure switch  |
| 2105                                       | 10911/D |       | 38U  |           |         | Air trap assembly      |
| 2110                                       | 13301   |       | 38U  |           |         | Gasket                 |
| 2115                                       | 11702   |       | 38U  |           |         | M8 stainless steel nut |
|  |         |       |      |           |         |                        |
|  |         |       |      |           |         |                        |
|  |         |       |      |           |         |                        |
|  |         |       |      |           |         |                        |
|  |         |       |      |           |         |                        |



17\_112\_e



## Spare parts

| ID                                     | P-code  | Model | Type | Accessory | Voltage | Description                               |
|--|---------|-------|------|-----------|---------|---|
| MODULE:Turret group with rotating arms |         |       |      |           |         |   |
| 18000                                  | 15042/A |       | 38U  |           |         | Nut                                       |
| 18005                                  | 13008   |       | 38U  |           |         | OR 147 NBR gasket                         |
| 18010                                  | 15042   |       | 38U  |           |         | "1" 1/4 ring nut"                         |
| 18015                                  | 13004   |       | 38U  |           |         | OR 3137 NBR gasket                        |
| 18020                                  | 13003   |       | 38U  |           |         | OR 112 NBR gasket                         |
| 18025                                  | 15300   |       | 38U  |           |         | Ø10x51 lower/top rinse axle               |
| 18030                                  | 15069/C |       | 38U  |           |         | Top wash/rinse distributor assembly       |
| 18035                                  | 12006   |       | 38U  |           |         | Ø10 rinse pipe fitting                    |
| 18040                                  | 15045   |       | 38U  |           |         | Top rinse ramp                            |
| 18045                                  | 12526   |       | 38U  |           |         | Stainless steel pipe coupling             |
| 18050                                  | 13304   |       | 38U  |           |         | Pipe-pass gasket                          |
| 18055                                  | 13319   |       | 38U  |           |         | Sliding washer                            |
| 18060                                  | 15575   |       | 38U  |           |         | Right rinse pipe                          |
| 18065                                  | 15576   |       | 38U  |           |         | Left rinse pipe                           |
| 18070                                  | 10209   |       | 38U  |           |         | 4 ways big rotor                          |
| 18075                                  | 12528   |       | 38U  |           |         | Ø10 complet rinse nozzle                  |
| 18080                                  | 12532   |       | 38U  |           |         | Ø10 plastic plug                          |
| 18085                                  | 13016   |       | 38U  |           |         | 2018 OR 103 NBR gasket                    |
| 18090                                  | 12006/A |       | 38U  |           |         | Ø10 pipe fitting 3/8x3,5 nut 19 hexagonal |
| 18095                                  | 15571   |       | 38U  |           |         | Ø28 right wash pipe                       |
| 18100                                  | 15572   |       | 38U  |           |         | Ø28 left wash pipe                        |
| 18105                                  | 10218   |       | 38U  |           |         | Ø28 opened plane nozzle                   |
| 18110                                  | 10211   |       | 38U  |           |         | Ø28 raised nozzle                         |
| 18115                                  | 13018   |       | 38U  |           |         | OR 2087 NBR gasket                        |
| 18120                                  | 10257   |       | 38U  |           |         | Ø28 plastic plug                          |
| 18125                                  | 11101/I |       | 38U  |           |         | Stainless steel group fixing screw        |
| 18130                                  | 10210   |       | 38U  |           |         | Blocking ring nut rotor plaque            |
| 18135                                  | 11121   |       | 38U  |           |         | TCB M4x8 steel screw                      |
| 18140                                  | 15040/A |       | 38U  |           |         | Lower wash bell-shape                     |
| 18145                                  | 15303   |       | 38U  |           |         | Short lower rinse extension               |
| 18150                                  | 15039/A |       | 38U  |           |         | Lower wash stainless steel pipe coupling  |
| 18155                                  | 15038   |       | 38U  |           |         | Ring nut connection                       |
| 18160                                  | 13006   |       | 38U  |           |         | OR 3156 gasket                            |
| 18165                                  | 15041/A |       | 38U  |           |         | Grey wash/rinse lower distributor         |
| 18170                                  | 12506   |       | 38U  |           |         | Ø10 rubber-holder                         |
| 18175                                  | 13313   |       | 38U  |           |         | 8x24x2 gasket                             |
| 18180                                  | 11185   |       | 38U  |           |         | 8x16 steel plane washer                   |
| 18185                                  | 575001  |       | 38U  |           |         | Lower turret tie rod                      |
| 18190                                  | 11702   |       | 38U  |           |         | M8 stainless steel nut                    |
| 18195                                  | 15909   |       | 38U  |           |         | Lower wash water distributor              |
| 18200                                  | 11809   |       | 38U  |           |         | 30/45 clamp                               |
| 18205                                  | 15956   |       | 38U  |           |         | Ø28 wash/rinse group                      |
| 18210                                  | 10213   |       | 38U  |           |         | Ø10 opened plane nozzle                   |
| 18215                                  | 10217   |       | 38U  |           |         | Ø10 closed plane nozzle                   |