

Eclipse 600, 800, 1000 Service Parts

This part list contains the service parts for the Eclipse 600, 800 and 1000 systems.

The models that are covered include:

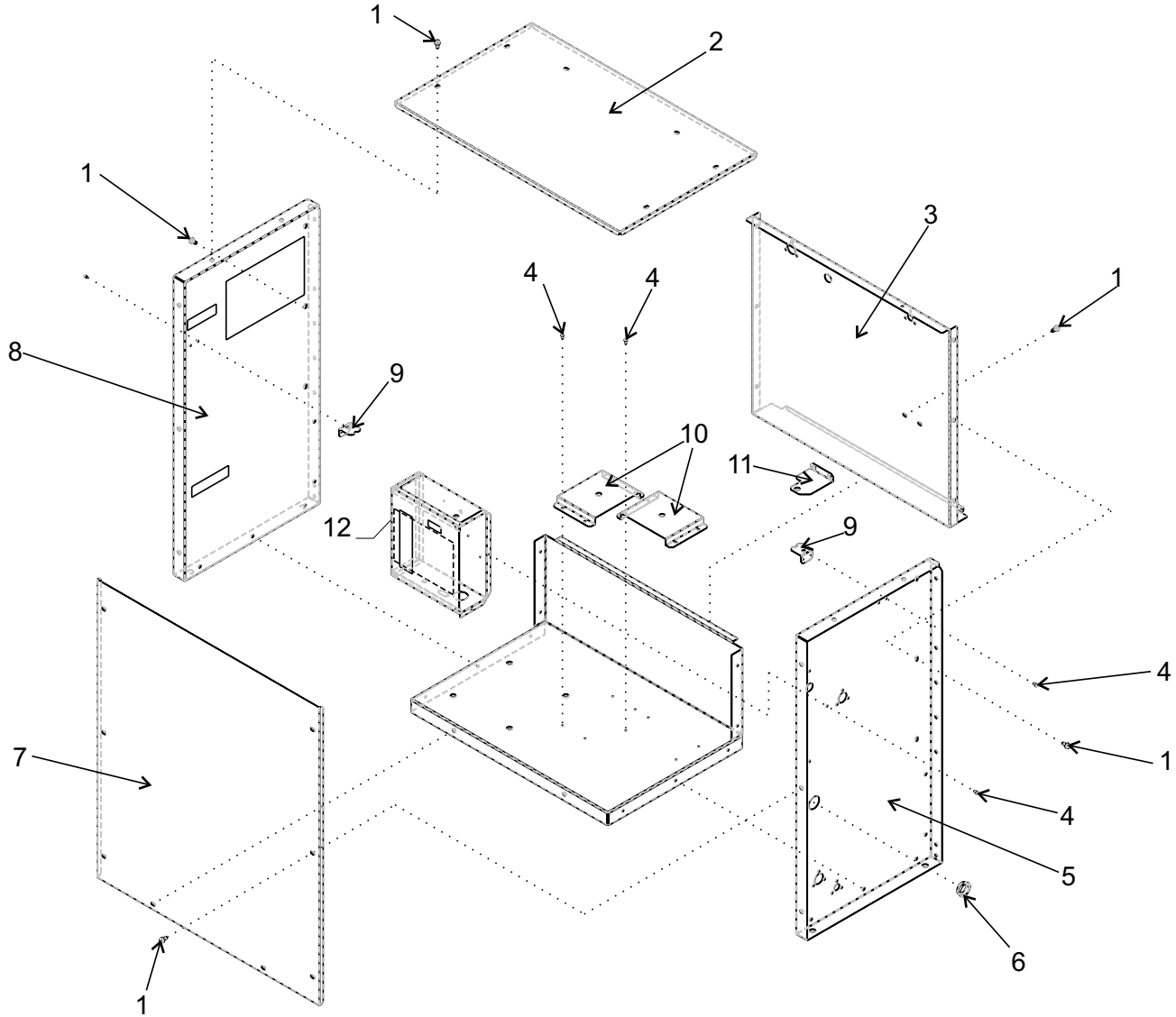
- CME686
- CME810
- CP686
- CP886
- CP1086
- ERC680
- ERC1086
- ER2C6810

Table of Contents

CME686 and CME810 Cabinet	Page 2
CME686 and CME810 Interior Parts	Page 3
CME686 and CME810 Water and Control Systems	Page 4
CME686 and CME810 Water Valves & Sensor	Page 5
CME686 and CME810 Refrigeration	Page 6
CME686 and CME810 Electrical	Page 7
CP686, CP886 and CP1086 Cabinet	Page 8
CP686, CP886 and CP1086 Refrigeration Systems	Page 9
Compressors	Page 10
CP686, CP886 and CP1086 Control Box	Page 11
Remote Condensers	Page 12
CME686 and CME810 Schematic Diagram	Page 13
CME686 and CME810 Wiring Diagram	Page 14
CP686, CP886 and CP1086 Single Phase Schematic Diagram	Page 15
CP686, CP886 and CP1086 Single Phase Wiring Diagram	Page 16
CP686, CP886 and CP1086 Three Phase Wiring Diagram	Page 17
CP686, CP886 and CP1086 Three Phase Schematic Diagram	Page 18

Eclipse 600, 800, 1000 Service Parts

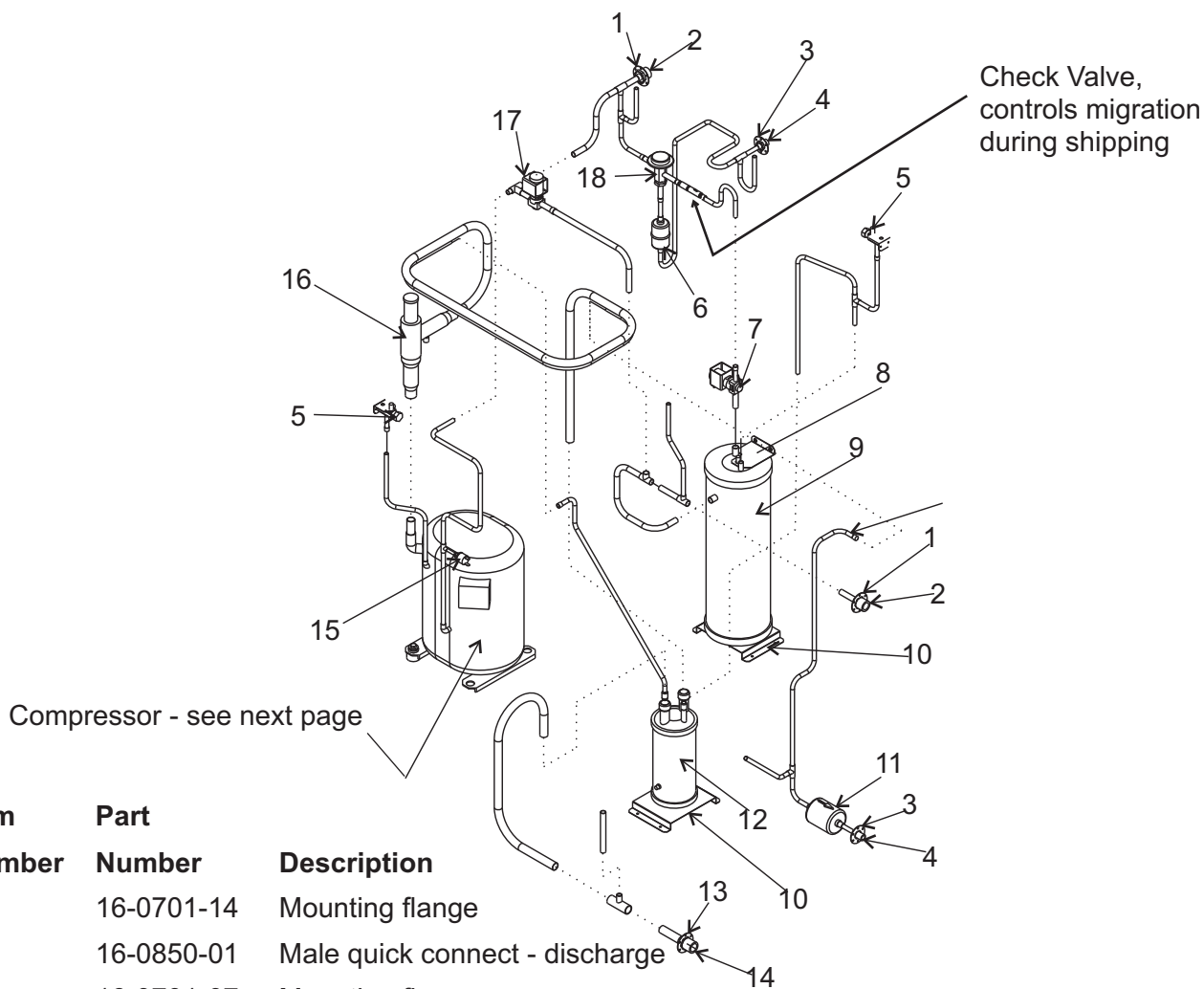
CP686, CP886 and CP1086 Cabinet



Item Number	Part Number	Description	Item Number	Part Number	Description
1	02-1645-01	Screw	10	A37948-001	Receiver or accumulator bracket
2	A37853-001	Top cover	11	A37949-001	Receiver top bracket
3	A37845-001	Back panel	12	A37826-001	Control box cover
4	03-1531-01	Screw			
5	A37829-001	Right side panel			
6	12-1213-20	Snap bushing			
7	A37896-001	Front cover			
8	A37829-002	Left side panel			
9	A37962-001	Service valve bracket			

Eclipse 600, 800, 1000 Service Parts

CP686, CP886 and CP1086 Refrigeration Systems



Item Number	Part Number	Description
1	16-0701-14	Mounting flange
2	16-0850-01	Male quick connect - discharge
3	16-0701-07	Mounting flange
4	16-0850-03	Male quick connect - liquid
5	16-0832-20	Access valve
6	02-3231-02	Filter
7	11-0546-21	Liquid inlet valve (N.O.)
8	A37949-001	Top bracket
9	16-1085-01	Receiver
10	A37948-001	Bottom bracket
11	02-3319-02	Filter dryer
12	16-0801-22	Suction accumulator
13	16-0701-18	Mounting flange
14	16-0850-04	Male quick connect - suction
15	11-0501-22	Hi press cut out
16	16-1096-01	CPR valve
17	11-0507-03	By pass solenoid valve
18	16-1044-01	Headmaster

Eclipse 600, 800, 1000 Service Parts

Compressors

Compressor - see table below

CP Model	Phase	Part Number
CP686-32	single	18-8768-22
CP686-2	three	18-8768-24
CP886-32	single	18-8726-23
CP886-3	three	18-8726-25
CP1086-32	single	18-8750-22
CP1086-3	three	18-8750-24

All compressors are 208-230 volt, 60 Hz.

Single phase compressors include starting components.

All include a drier.

18-8726 & 18-8750 types include crankcase heaters

18-2308-01 Crankcase heater for 18-8726 and 18-8750 type

18-1868-02 Crankcase heater for 18-8768 type

Mounting parts for 18-8726 and 18-8750 type compressors:

18-2300-27 Mounting grommet

18-2300-26 Sleeve

03-1406-07 Washer

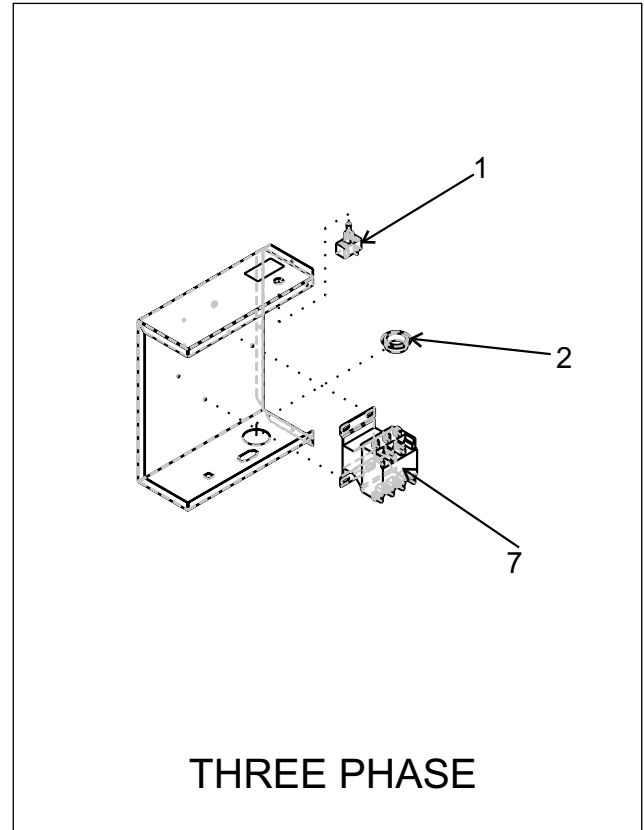
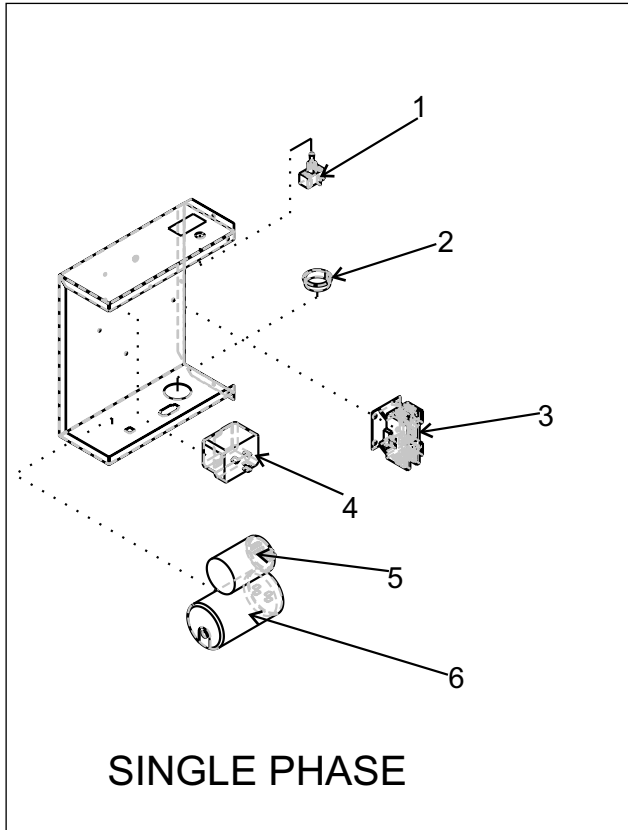
03-1404-15 Cap screw

Parts Shipped in CP unit:

12-2865-01 75' Interconnecting harness

Eclipse 600, 800, 1000 Service Parts

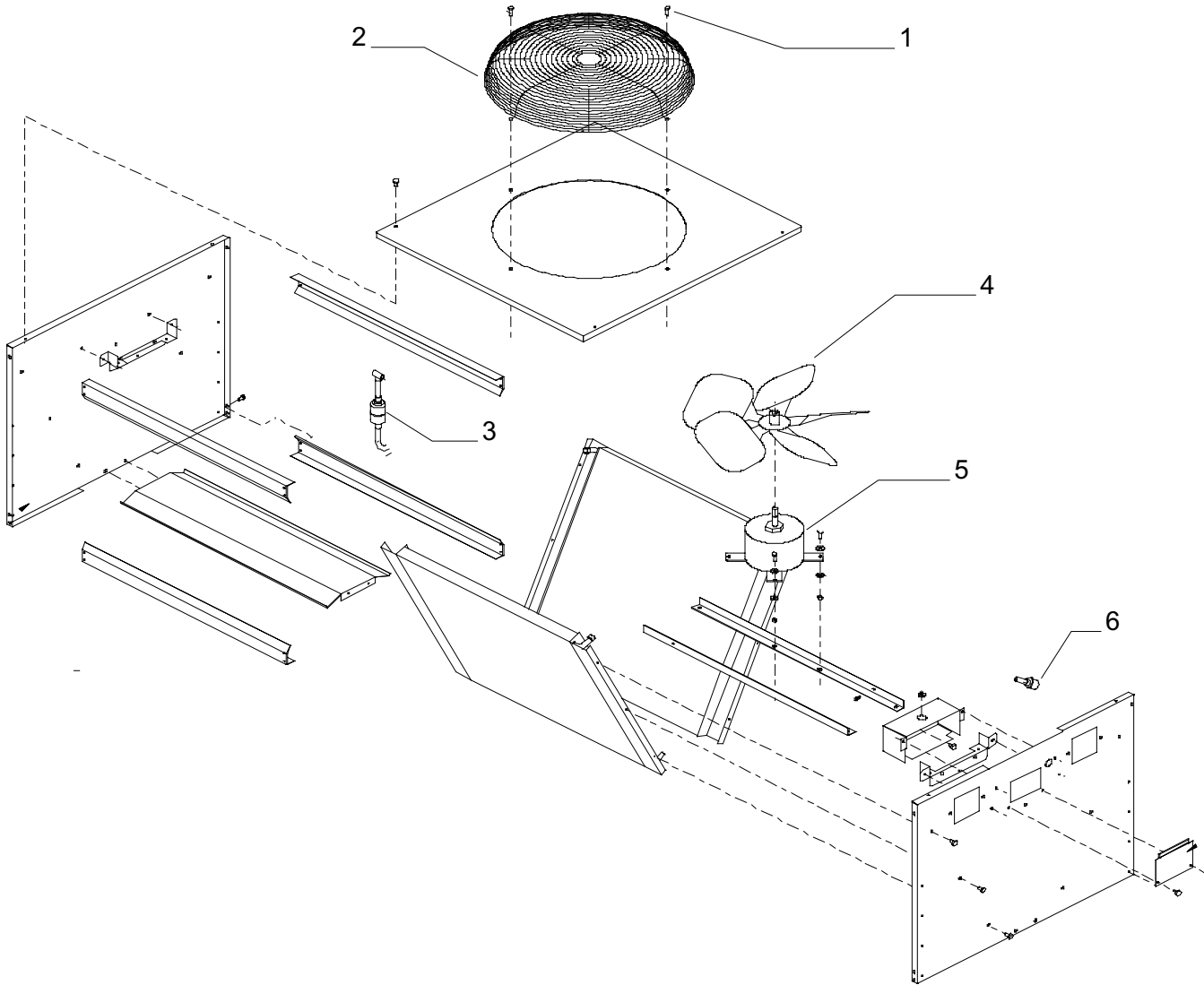
CP686, CP886 and CP1086 Control Box



Item Number	Part Number	Description
1	12-0426-01	Toggle switch
2	12-1213-20	Snap bushing
3	12-2469-01	Single phase contactor
4	18-1903-33	Potential relay for CP686
	18-1903-33	Potential relay for CP886
	18-1903-46	Potential relay for CP1086
5	18-1902-45	Run capacitor for CP686
	18-1902-53	Run capacitor for CP886
	18-1902-55	Run capacitor for CP1086
6	18-1901-54	Start capacitor for CP686
	18-1901-15	Start capacitor for CP886
	18-1901-48	Start capacitor for CP1086
7	12-2533-01	Three phase contactor

Eclipse 600, 800, 1000 Service Parts

Remote Condensers



Models ERC680, ERC1086

Item Number	Part Number	Description
1	03-1405-08	Screw
2	02-3575-01	Fan guard
3	02-3231-03	Filter
4	18-8816-01	Fan blade
5	12-2651-01	Fan motor
6	16-1057-04	Quick connect, discharge
	16-1057-03	Quick connect, liquid

Not Shown:

A37169-001	Leg
A37170-001	Leg brace
03-1645-01	Screw for legs

Model ER2C6810 (two circuit condenser)

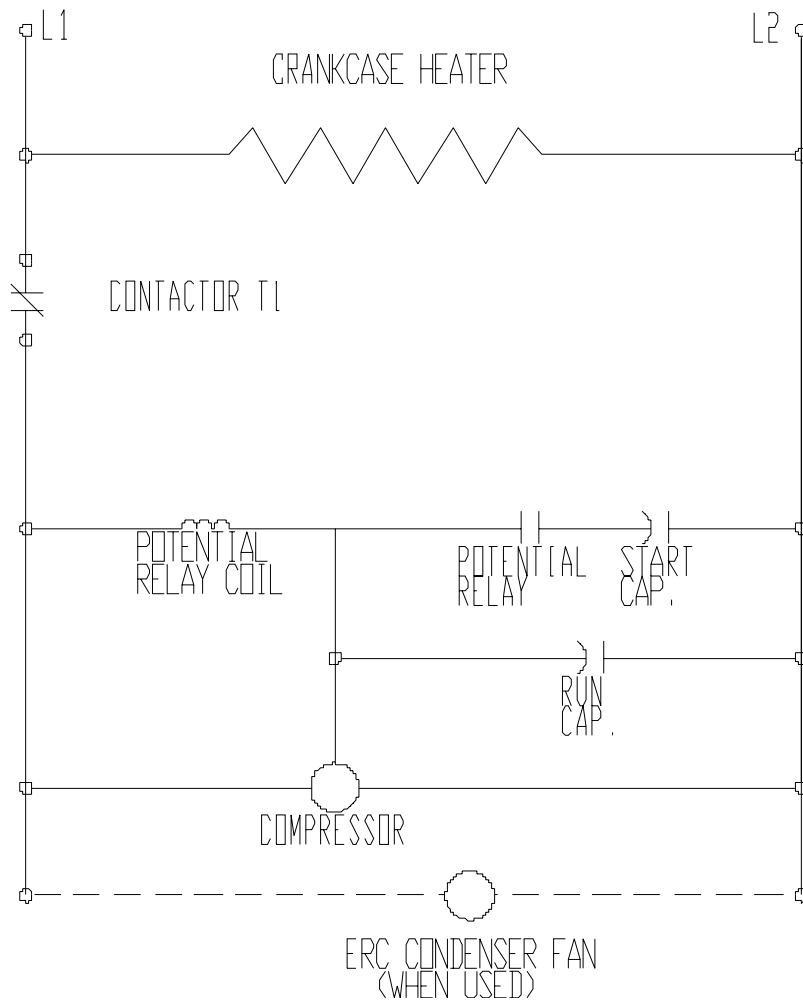
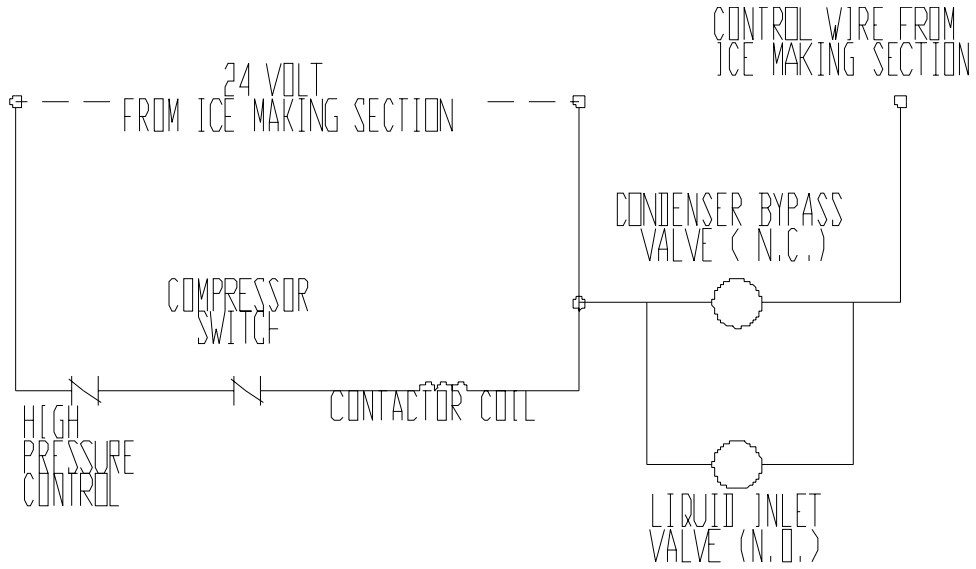
Item Number	Part Number	Description
1	03-1405-08	Screw
2	02-3770-01	Fan guard
3	02-3231-03	Filter
4	18-8820-01	Fan blade
5	12-2717-01	Fan motor
6	16-1057-04	Quick connect, discharge
	16-1057-03	Quick connect, liquid

Not Shown:

A37169-001	Leg
A37296-001	Leg brace
03-1645-01	Screw for legs

Eclipse 600, 800, 1000 Service Parts

CP686, CP886 and CP1086 Single Phase Schematic Diagram

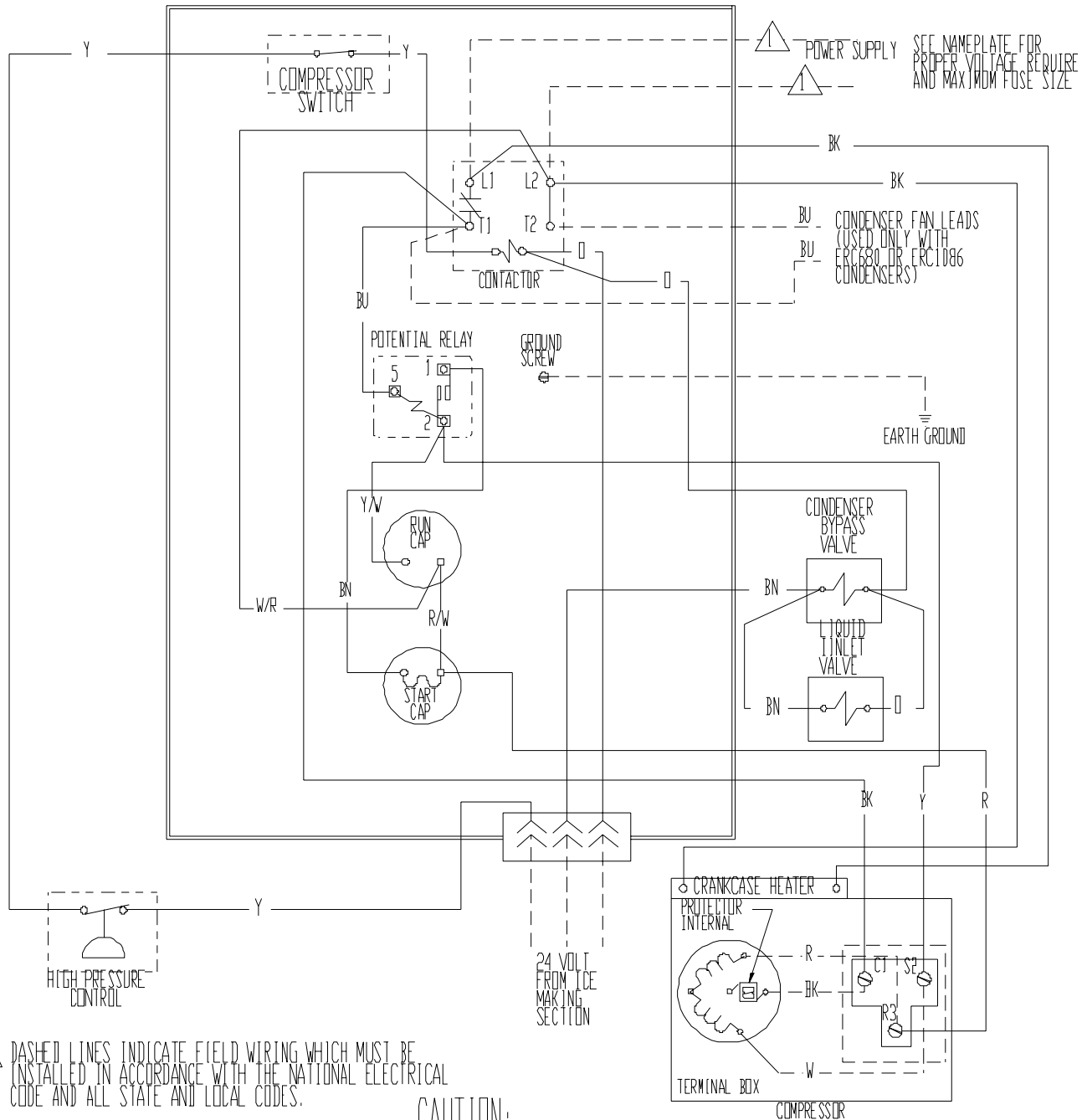


Eclipse 600, 800, 1000 Service Parts

CP686, CP886 and CP1086 Single Phase Wiring Diagram

17-2877-01

USE COPPER CONDUCTORS ONLY



⚠ DASHED LINES INDICATE FIELD WIRING WHICH MUST BE INSTALLED IN ACCORDANCE WITH THE NATIONAL ELECTRICAL CODE AND ALL STATE AND LOCAL CODES.

CAUTION:

MORE THAN ONE DISCONNECT MEANS MAY BE REQUIRED TO DISCONNECT ALL POWER TO THIS UNIT.

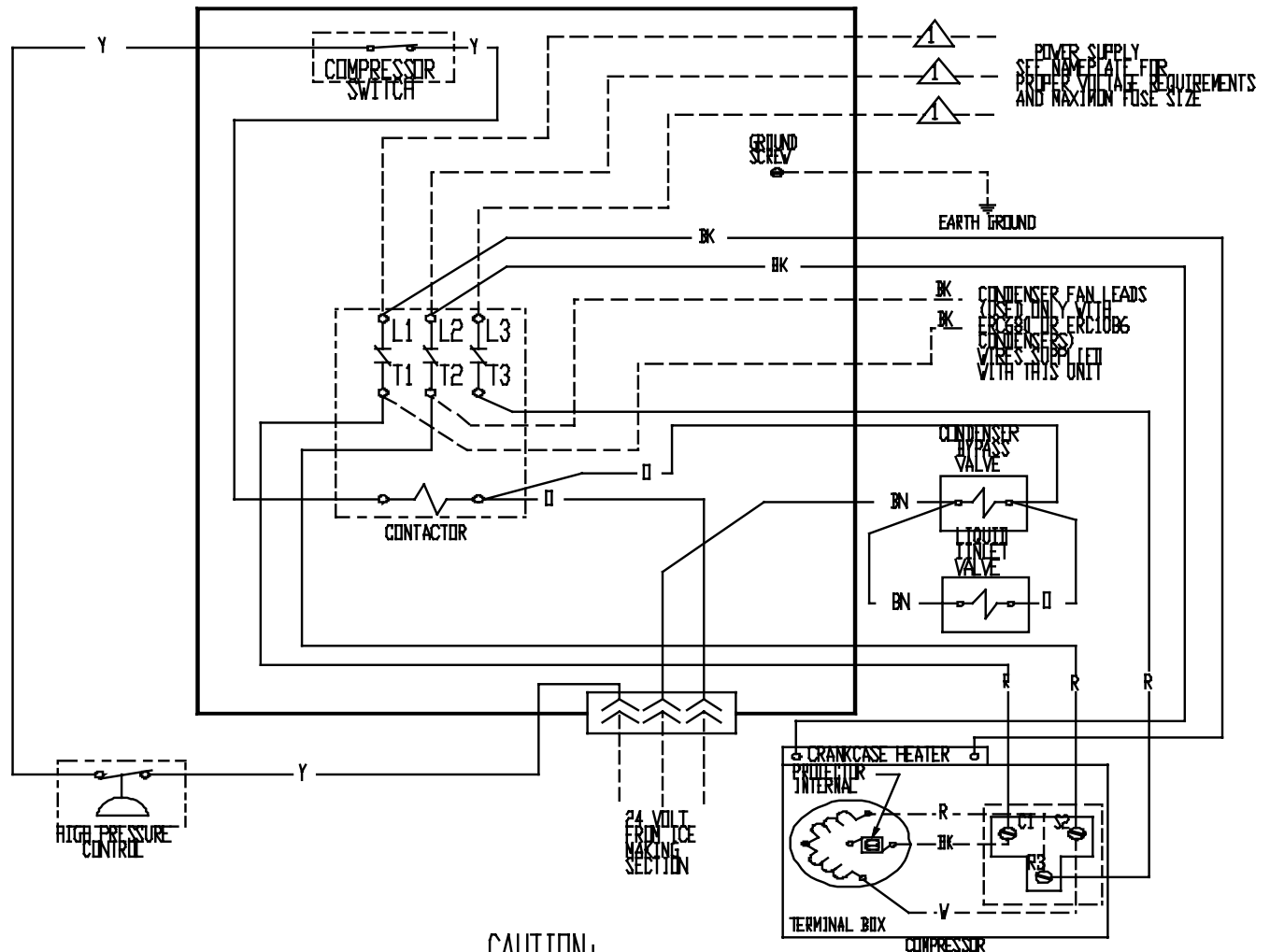
THIS UNIT MUST BE GROUNDED.

Eclipse 600, 800, 1000 Service Parts

CP686, CP886 and CP1086 Three Phase Wiring Diagram

17-2878-01

USE COPPER CONDUCTORS ONLY



THIS UNIT MUST BE GROUNDED.

CAUTION: MORE THAN ONE DISCONNECT MEANS MAY BE REQUIRED TO DISCONNECT ALL POWER TO THIS UNIT.

▲ DASHED LINES INDICATE FIELD WIRING WHICH MUST BE INSTALLED IN ACCORDANCE WITH THE NATIONAL ELECTRICAL CODE AND ALL STATE AND LOCAL CODES.

Eclipse 600, 800, 1000 Service Parts

CP686, CP886 and CP1086 Three Phase Schematic Diagram

