



G 250

LIST OF THE EXPLODED VIEWS



SHELL ASSY

COOLING SYSTEM

EVAPORATOR

HYDRAULIC CIRCUIT

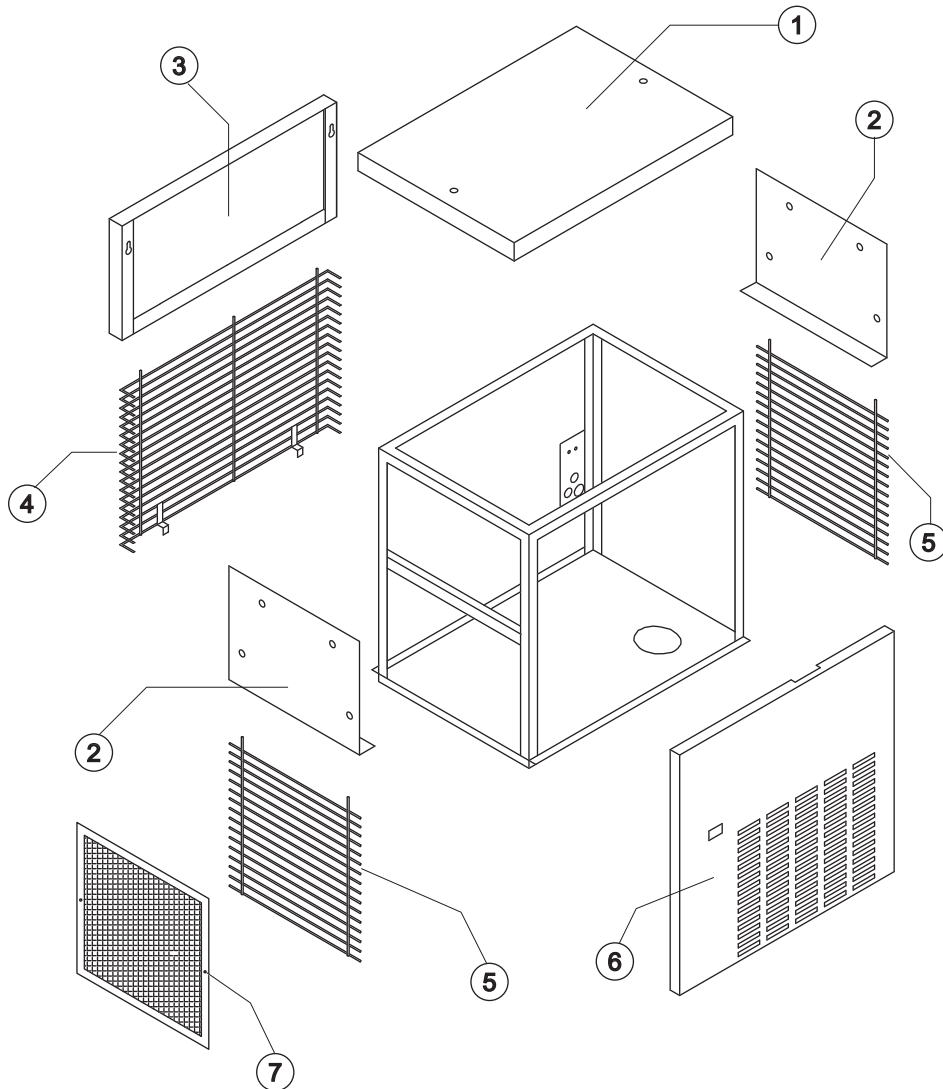
ELECTRIC PARTS

Rev. 7 - 26/05/2006



G 250

SHELL ASSY



Common Parts

Ref.	Spare Description	Code
1	Top	22667
2	Right/Left Side Panel	22663
3	Rear Panel	22665
4	Rear Grid	D12060
5	Lateral Grid	D12061
6	Front Panel Assembly	C22662B

Parts for Air-Cooled Version Only

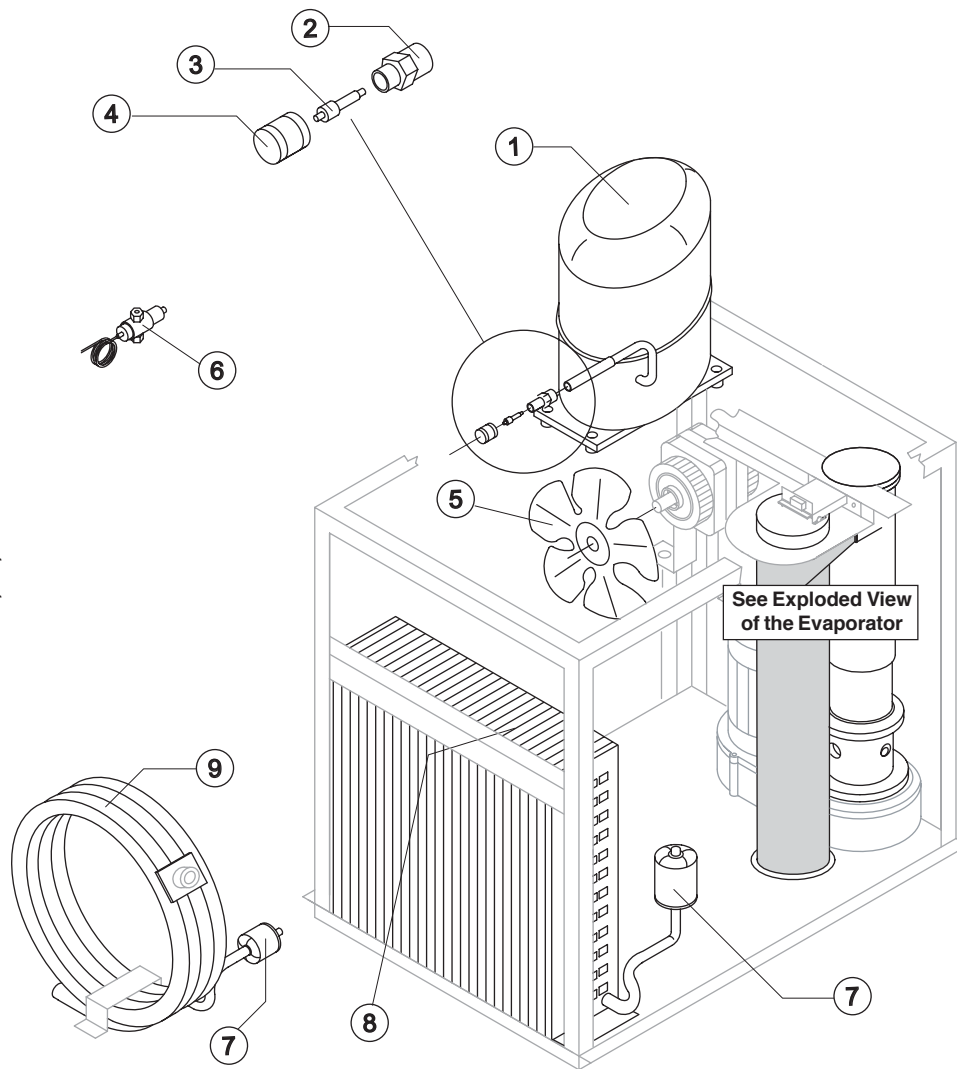
Ref.	Spare Description	Code
7	Filter	18163

Rev. 7 - 26/05/2006



G 250

COOLING SYSTEM



Common Parts

Ref.	Spare Description	Code
1	Compressor	See Table
2	Vacuum-Charge Valve Body	14007
3	Vacuum-Charge Valve Device	14005
4	Vacuum-Charge Valve Plug	14006
7	Solid Core Drier	14089

Parts for Air-Cooled Version Only

Ref.	Spare Description	Code
5	Sucking Fan	20407
8	Air Condenser	20426

Parts for Water-Cooled Version Only

Ref.	Spare Description	Code
5	Sucking Fan	10213
6	Pressostatic Valve	20210
9	Water Condenser	14034

Ref. 1 - Compressor

Tension	Code	Note
220/240V 50 Hz	23454	Current Version
220/240V 50 Hz	23570	Till s/n. 268630
220/230V 60 Hz	23573	

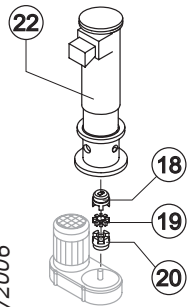


G 250

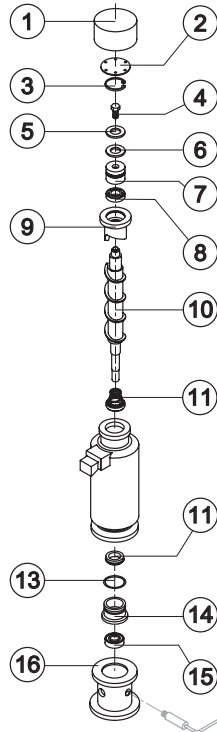
EVAPORATOR

Current Version

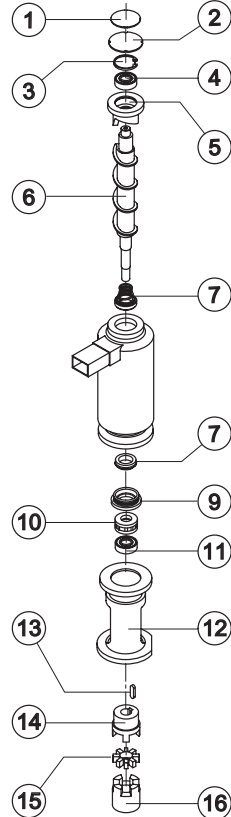
Till s/n.162639



C11114.
KITNEVG250
till s/n.
230441.

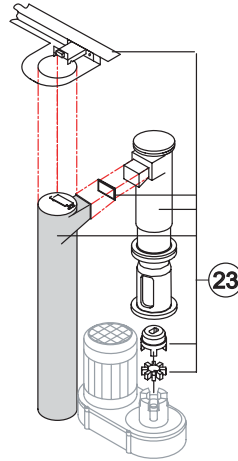


For Complete
Evaporator, order
C11114



KITNEVG250

For Complete
Evaporator, order
KITNEVG250



Ref.	Spare Description (Current Version)	Code
1	Insulating Cap	18167
2	Closing Disk	22649
3	Seeger	20116
4	Stainless Steel Screw	20664
5	Shimming Disk	22829
6	Self-Lubricating Disk	20639
7	Stainless Steel Thrust Bearing	Current Version 20685
7	Stainless Steel Thrust Bearing	Till s/n. 207806 20648
8	OR Gasket 4137	Current Version 20689
8	Seal Ring	From s/n. 192797 To s/n. 207806 20682
8	Seal Ring	Till s/n. 192797 20656
9	Ice Breaker	Current Version 20683
9	Ice Breaker	Till s/n. 192797 C20657
10	Auger	Current Version 20684
10	Auger with Screw	Till s/n. 192797 C20658
11	Ceramic Seal	20633
13	OR Gasket 3218 NBR	20655
14	Reduction Ring	20659
15	Stainless Steel Bearing	20112
16	Flange	20644
18	Semi-Joint Upper	D20654
19	Vibration-Damping Elastomer	20494
20	Semi-Joint Lower	D20493
22	Evaporator Assy	Current Version C11114
22	Evaporator Assy	Till s/n. 230441 KITNEVG250

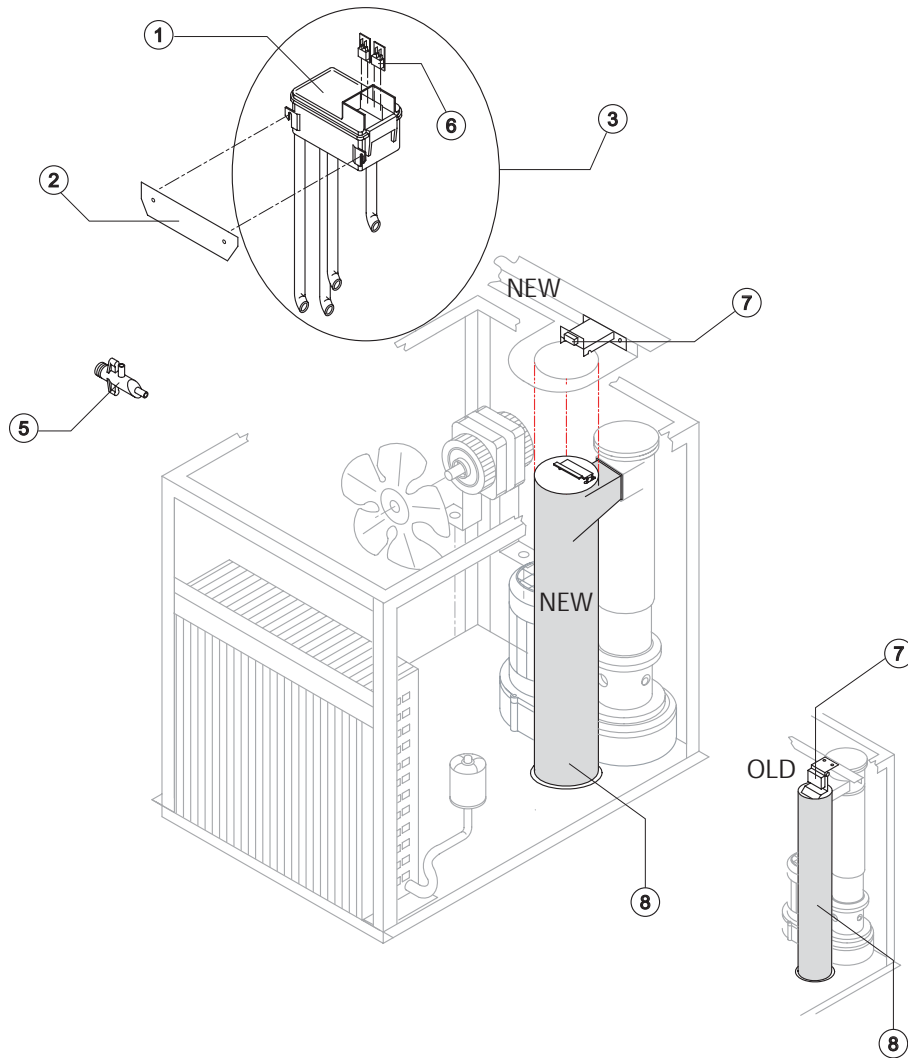
Ref.	Spare Description (Till s/n.162639)	Code
1	Insulating Sponge	18125
2	Closing Disk	22649
3	Seeger	20115
4	Stainless Steel Bearing	20112
5	Ice Breaker	20484
6	Auger	20515
7	Ceramic Seal	20110
9	Ring for Ceramic Seal	20485
10	Stainless Steel Thrust Bearing	20111
11	Stainless Steel Bearing	20113
12	Flange	20482
13	Key	20431
14	Semi-Joint Upper	D20517
14	Semi-Joint Upper	Till s/n. 81177 D20493
15	Vibration-Damping Elastomer	20494
16	Semi-Joint Lower	D20493
23	Evaporator Assy	ex C11105 KITNEVG250

Rev. 7 - 26/05/2006



G 250

HYDRAULIC CIRCUIT



Common Parts

Ref.	Spare Description	Code
1	Double Switch Basin	10145
2	Basin Support Plate	21133
3	Double Switch Basin Assembly	C10201
6	Microswitch	23055
7	Bin Level Control Microswitch	Current Version 23196
7	Bin Level Control Switch	Till s/n. 230441 C22099
8	Ice Outlet Pipe Assy	Current Version C10459
8	Ice Outlet Pipe Assy	Till s/n. 230441 C13114

Parts for Air-Cooled Version Only

Ref.	Spare Description	Code
5	Discharges Manifold	C10052

Parts for Water-Cooled Version Only

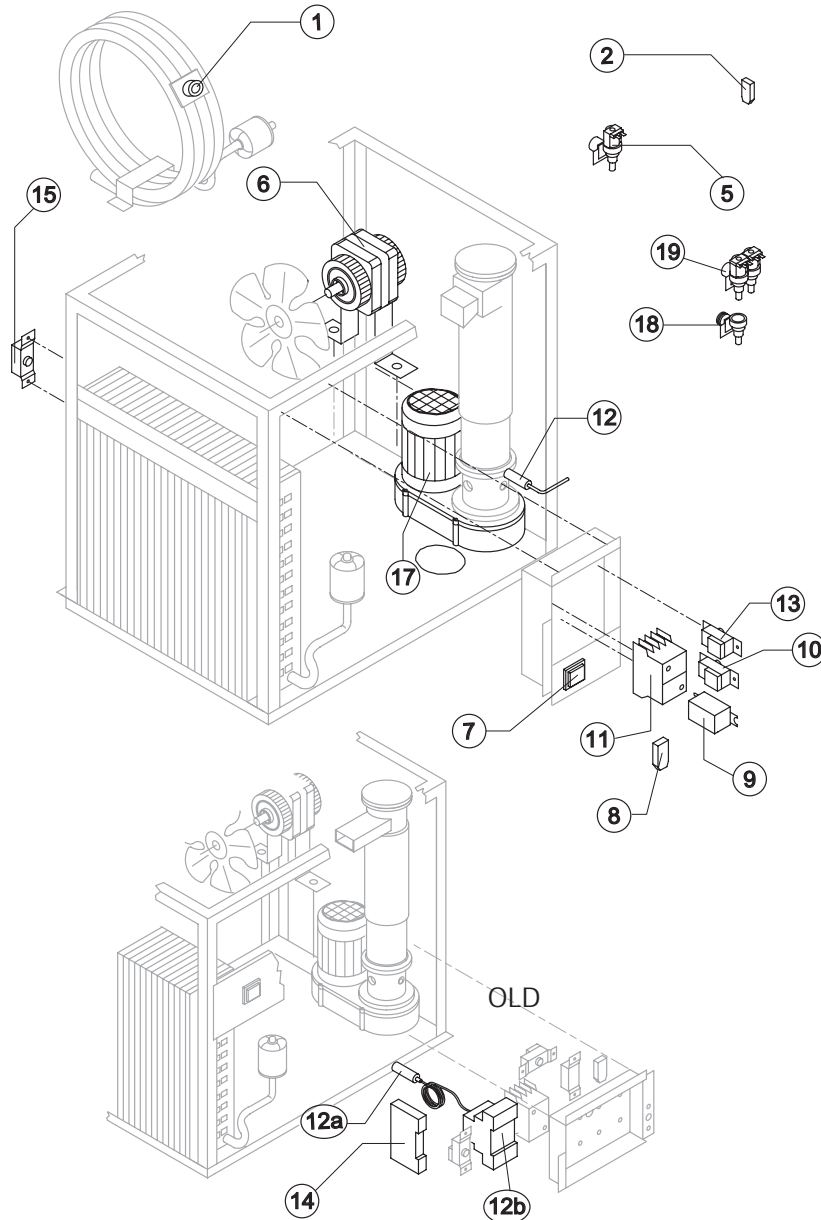
Ref.	Spare Description	Code
5	Discharges Manifold	C10053

Rev. 7 - 26/05/2006



G 250

ELECTRIC PARTS



Common Parts

Ref.	Spare Description	Code
2	Anti Radio Interference Filter 220/240V 50 Hz	C23457
5	1 Way- Water Inlet Valve	23115
7	Green Light Switch (On-Off)	23327
10	Evaporator Thermostat	R23034
11	Contactors	23147
12	Rotation Sensor	Current Version R23676
12a	Probe of Rotation Sensor	Till s/n. 188726 23634
12b	Rotation Sensor Switchboard	Till s/n. 188726 23633
13	Bin Thermostat	R23421
14	Electronic Timer	Till s/n. 162639 23560
15	Safety Pressure-Switch	23342
17	Gearmotor	Current Version 23638
17	Gearmotor	Till s/n. 162639 23571

Parts for Air-Cooled Version Only

Ref.	Spare Description	Code
6	Fan Motor	23121
8	Anti Radio Interference Filter 220/240V 50 Hz	C23459
9	Condenser Pressure Switch	23175

Parts for Water-Cooled Version Only

Ref.	Spare Description	Code
1	Safety Thermostat	Till s/n. 175256 C23114
2	Fan Motor	23029
18	1 Way- Water Inlet Nipple	10368
19	2 Ways- Water Inlet Valve	Till s/n. 123470 C23192