

WAREWASHER

ELECTROMECHANICAL SWITCHES
SIMPLE BODY VERSION

TYPE: 16U

Accessories

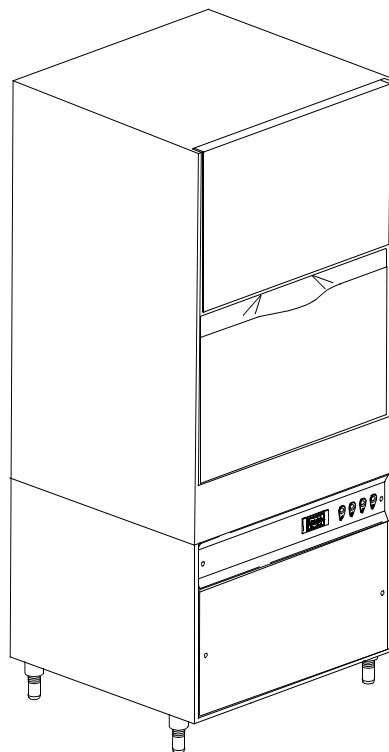
BOOSTER PUMP

DVGW

DETERGENT DISPENSER

DRAIN PUMP

Spare parts



S/N:

Valid from:..11/2002

Rev.: 0.0

1. Spare parts

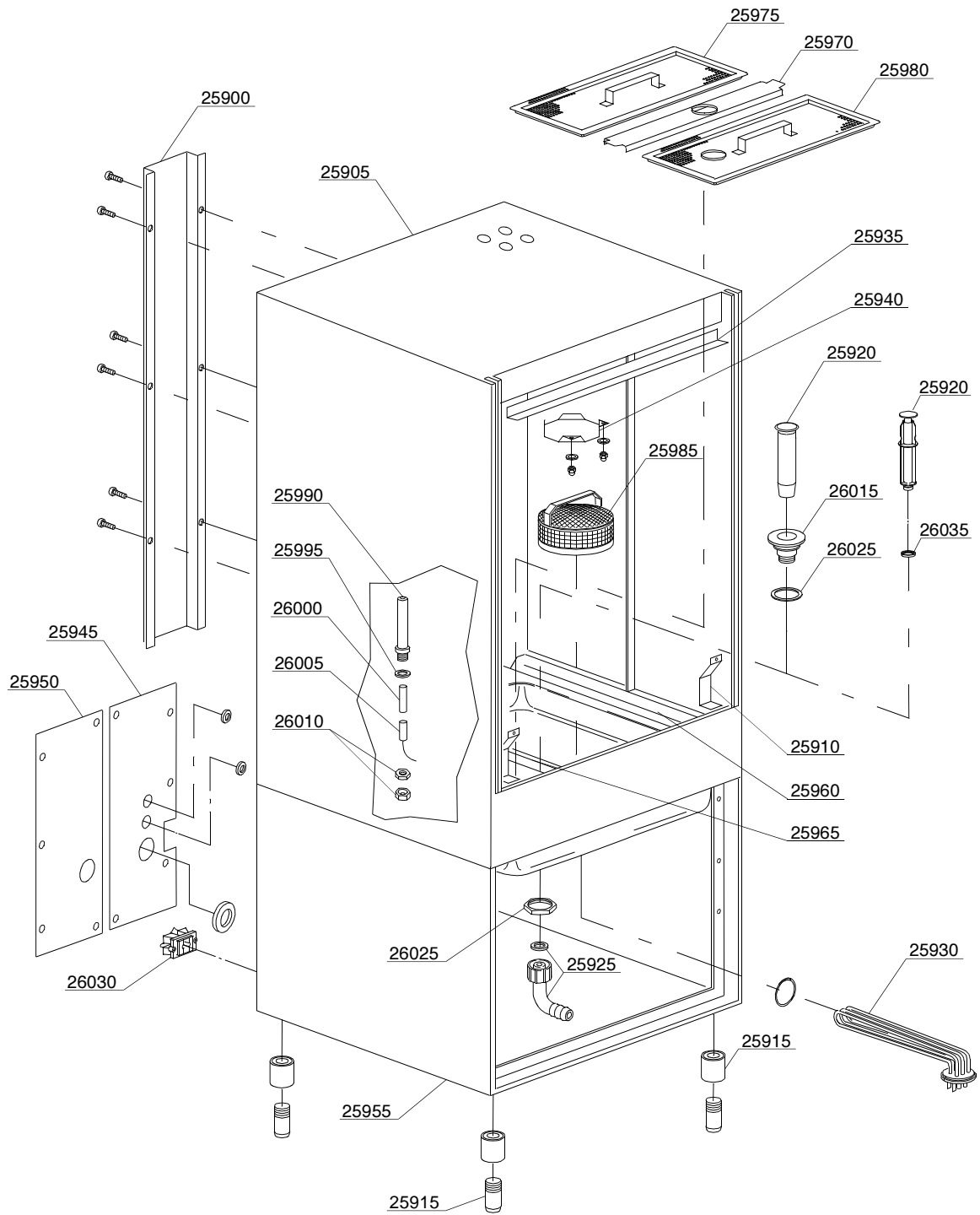
General body parts.....	7
Lockup system	9
Control panel	11
Control electric components.....	13
Solenoid valve group	15
Booster pump.....	17
DVGW	19
Shining product dosing device group .	21
Boiler group	23
Derivation group	25
Wash pump	27
Dosing device group	29
Drain pump group.....	31
Pressure switch group with air trap ...	33
Turret group with rotating arms	35

1.1 Voltage codes

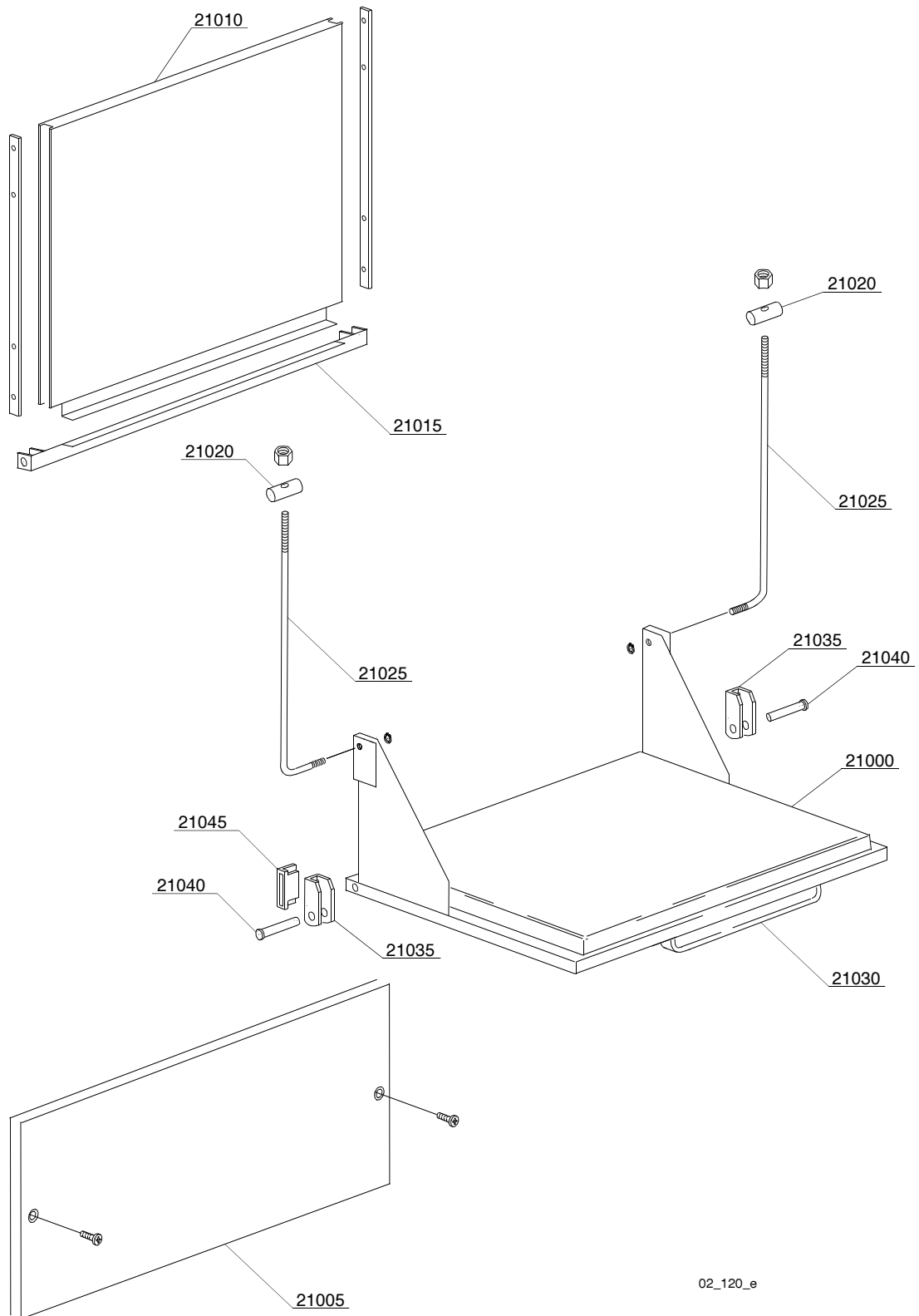
Voltage code	Voltage
A	3/N/PE~400/230V 50Hz
B	~250V 16A 50Hz
C	3/N/PE~380/220V 50Hz
D	3/PE~200V 50-60Hz
F	2/PE 220-240V 50Hz
G	3/N/PE~415/240V 50Hz
H	3/PE~230V 50Hz
I	3/PE~220V 60Hz
J	3/PE~380 50Hz
K	3/PE~400V 50Hz
L	3/PE~415V 50Hz
M	3/PE~440V 60Hz
N	3/PE~460V 60Hz
O	3/PE~480V 60Hz
P	1/N/PE~220-240V 50Hz
R	2/PE~220-230V 60Hz
S	3/N/PE~400/230V 50Hz
T	3/PE~230V 60Hz

1.2 Product codes

Product code	Full name
Model codes	
em	ELECTROMECHANICAL SWITCHES
mc	SIMPLE BODY VERSION
Type codes	
16U	16U
Accessory codes	
pap	BOOSTER PUMP
dvgw	DVGW
dde	DETERGENT DISPENSER
ps	DRAIN PUMP



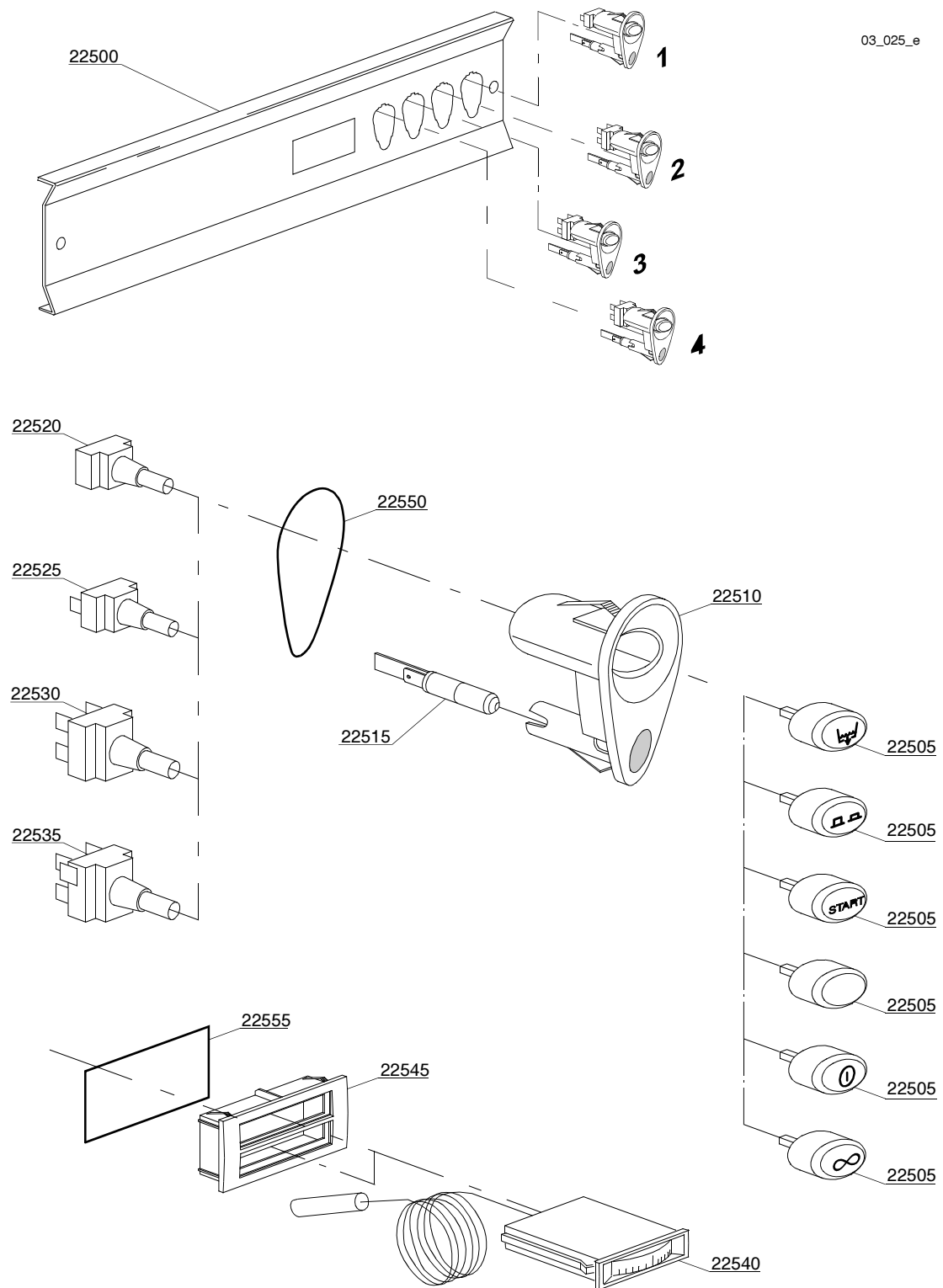
01_022_e

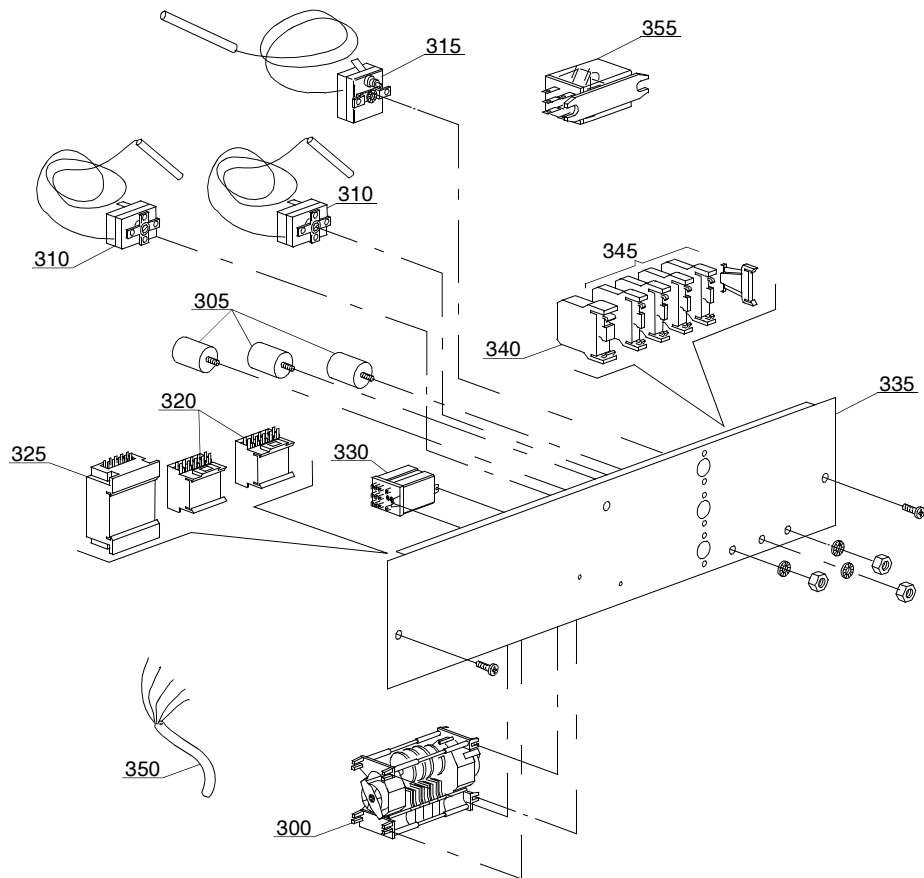


02_120_e

Spare parts

ID	P-code	Model	Type	Accessory	Voltage	Description
MODULE:Lockup system						
21000	22206		16U			Door with steel handle
21005	22208		16U			Lower door
21010	22207		16U			Upper door
21015	22233		16U			Levers support
21020	22219		16U			Small cylinders
21025	22220		16U			Door rod
21030	22215		16U			Stainless steel handle
21035	22206/B		16U			Door support
21040	22220/A		16U			Hinge door
21045	80232		16U			Reed magnet

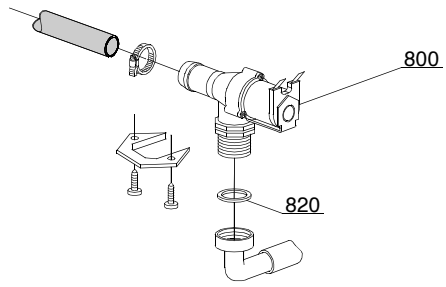




04_011_e

Spare parts

ID	P-code	Model	Type	Accessory	Voltage	Description
MODULE:Control electric components						
300	22011		16U		A	"120/240"" timer with thermostop"
300	22011/B		16U		A	"120/240"" timer - 200V 60Hz"
305	15149		16U		A	Low noise filter
310	10707/1		16U		A	0-90°C thermostat
315	2000430		16U		A	Safety thermostat
320	15086		16U		A	Remote control switch 230V 50/60Hz 4C
325	10300050		16U		A	25A/12A remote control switch
330	16037		16U		A	16A bipolar relay
335	22210		16U		A	Electric component panel
340	10300401		16U		A	6/8mm ² yellow/green terminal
345	10300403		16U		A	6mm ² terminal
350	80200		16U		A	5x4x3400 cable
350	75359		16U			4x6 flame-retardant cable
350	15145		16U			4x4x2500 cable
355	15620		16U	dp		Bipolar relay in deviation

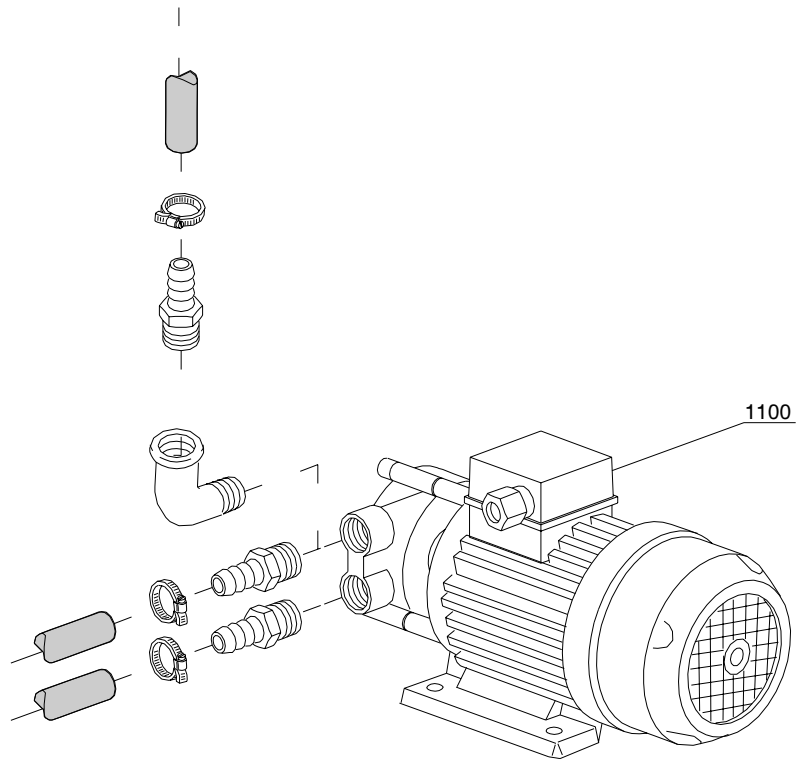


05_005_e

Spare parts

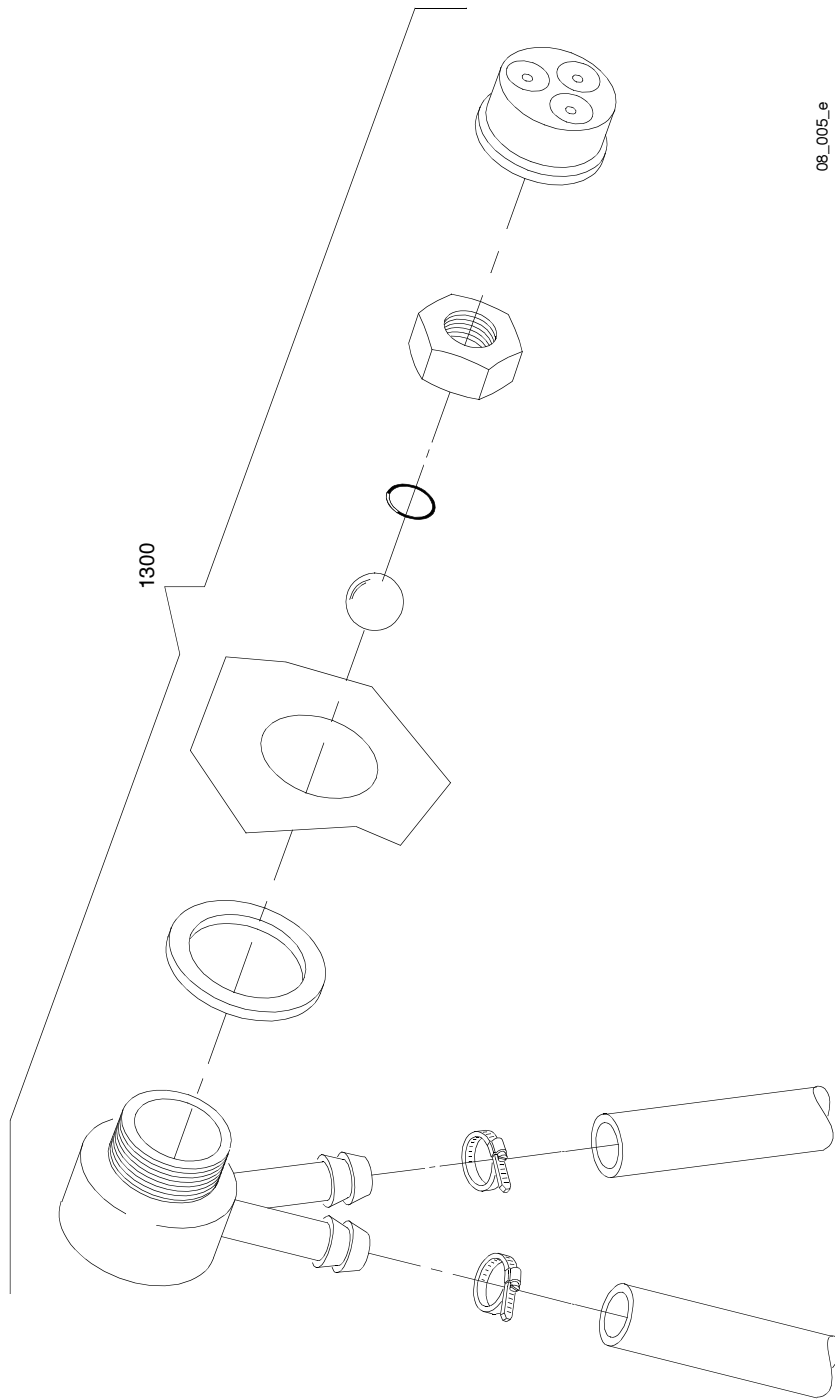
ID	P-code	Model	Type	Accessory	Voltage	Description
MODULE:Solenoid valve group						
800	30001000		16U			Single solenoid valve
820	N.C.		16U			Pression reducing valve

07_002_e



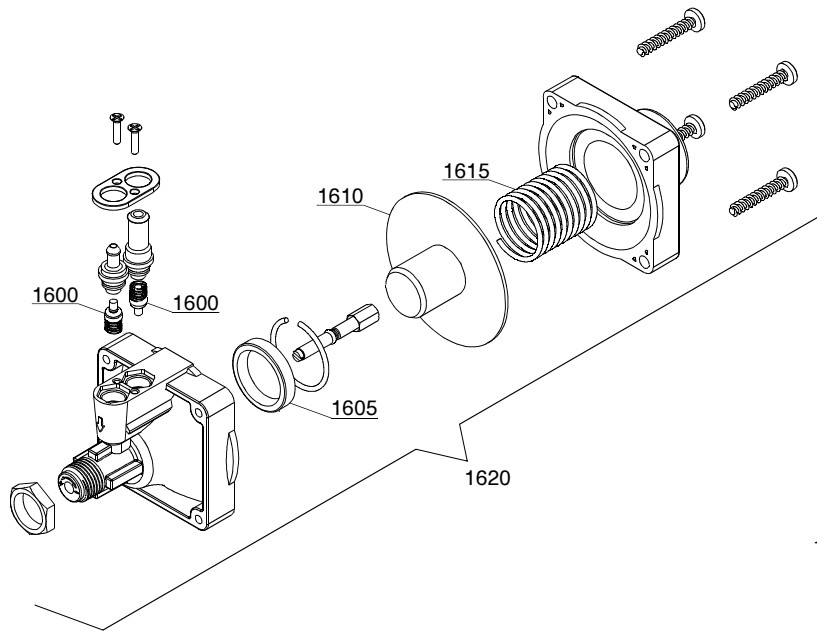
Spare parts

ID	P-code	Model	Type	Accessory	Voltage	Description
MODULE:Booster pump						
1100	15100		16U	bp		Booster pump
1100	15100/A		16U	bp		Booster pump - 60Hz



Spare parts

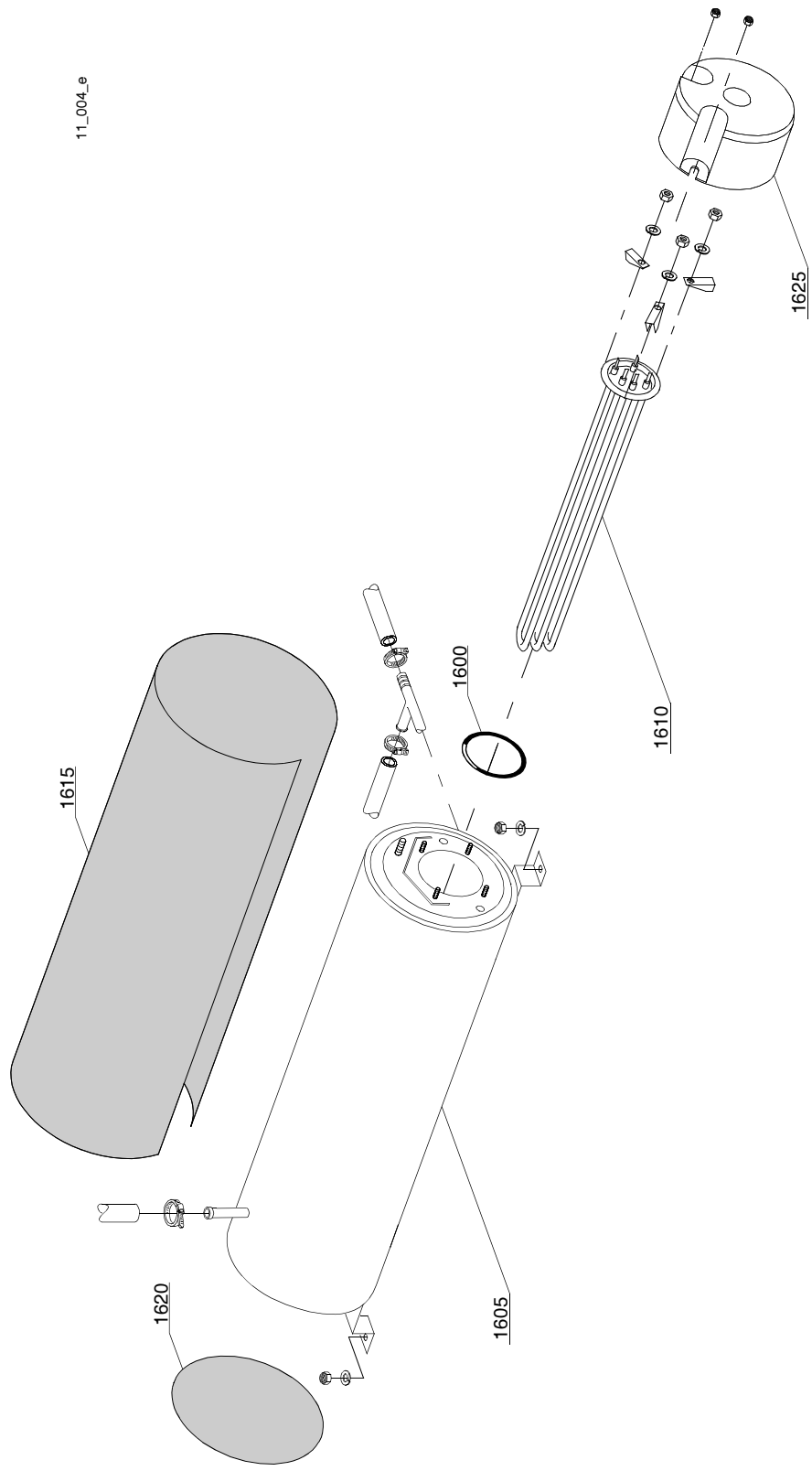
ID	P-code	Model	Type	Accessory	Voltage	Description
MODULE:DVGW						
1300	999900006		16U	dvgw		DVGW assembly



10_003_e

Spare parts

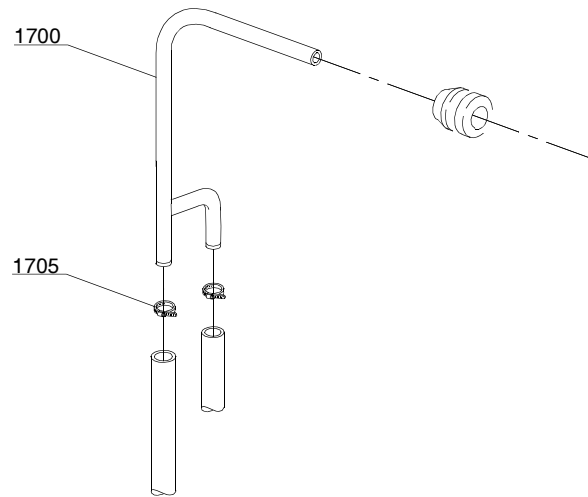
ID	P-code	Model	Type	Accessory	Voltage	Description
MODULE:Shining product dosing device group						
1600	10805		16U			Tecnopro dosing valve
1605	10806		16U			Ø22 gasket
1610	10807		16U			Membrane
1615	10808		16U			Spring
1620	1059999		16U			Shining product dosing device
1625	12525		16U			Counter-weight
1630	15058		16U			Small filter



Spare parts

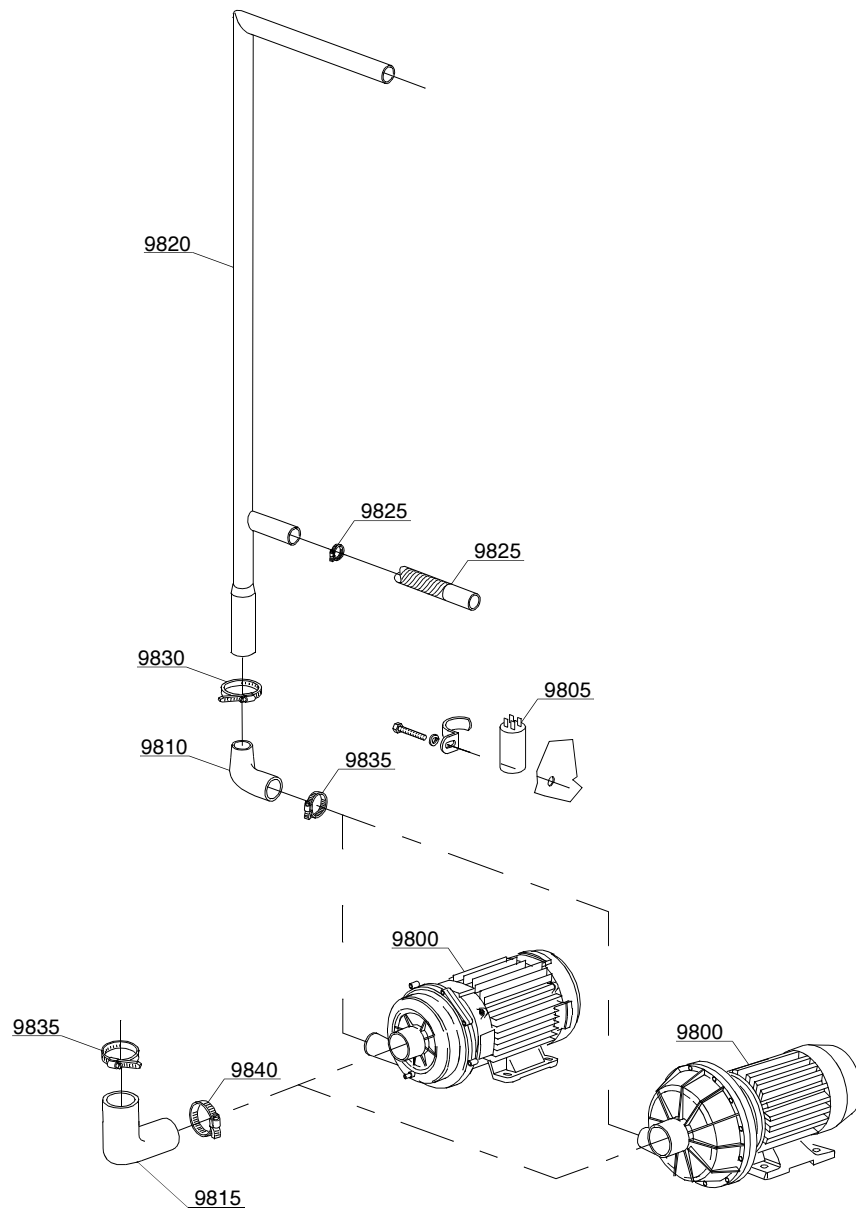
ID	P-code	Model	Type	Accessory	Voltage	Description
MODULE:Boiler group						
1600	13015		16U			6225 OR 160 NBR gasket
1605	22002		16U			Boiler
1610	30001010		16U			6KW heating element
1610	30001011		16U			9KW heating element
1615	30002030		16U			Insulating boiler
1620	75205		16U			Ø160 bottom

12_007_e



Spare parts

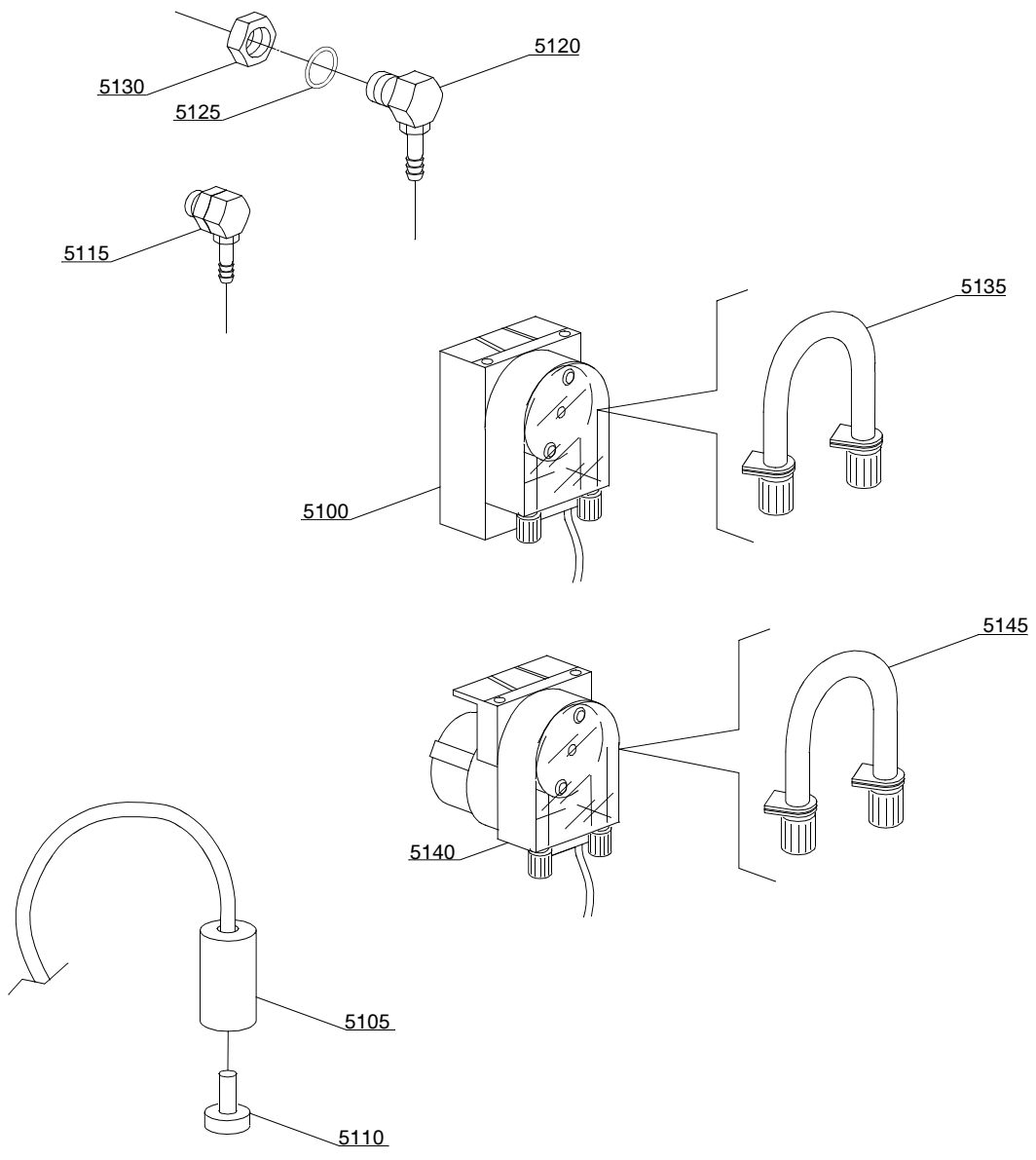
ID	P-code	Model	Type	Accessory	Voltage	Description
MODULE:Derivation group						
1700	15045/B		16U			3 ways derivation
1705	11807		16U			12/22 clamp



13_108_e

Spare parts

ID	P-code	Model	Type	Accessory	Voltage	Description
MODULE:Wash pump						
9800	22037		16U			2Hp pump
9800	22037/3		16U			2Hp pump - 60Hz
9810	16170/M		16U			Delivery side pipe coupling
9815	15032/A		16U			Suction pipe coupling
9820	23203		16U			Wash ramp
9825	15033/A		16U			Lower delivery wash pipe
9830	11809		16U			30/45 clamp
9835	11824		16U			50/70 clamp
9840	2902491		16U			60/80 clamp

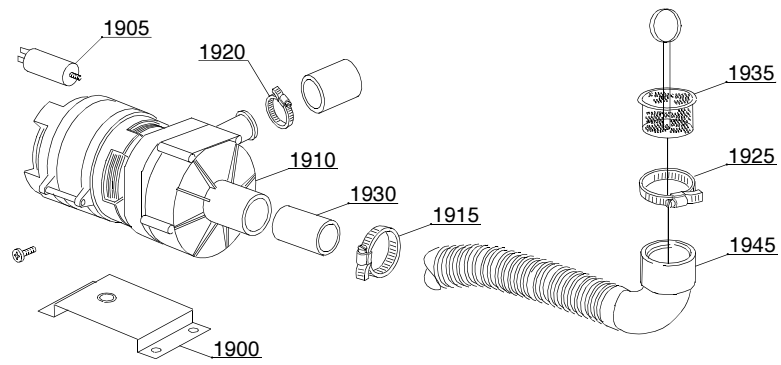


14_004_e

Spare parts

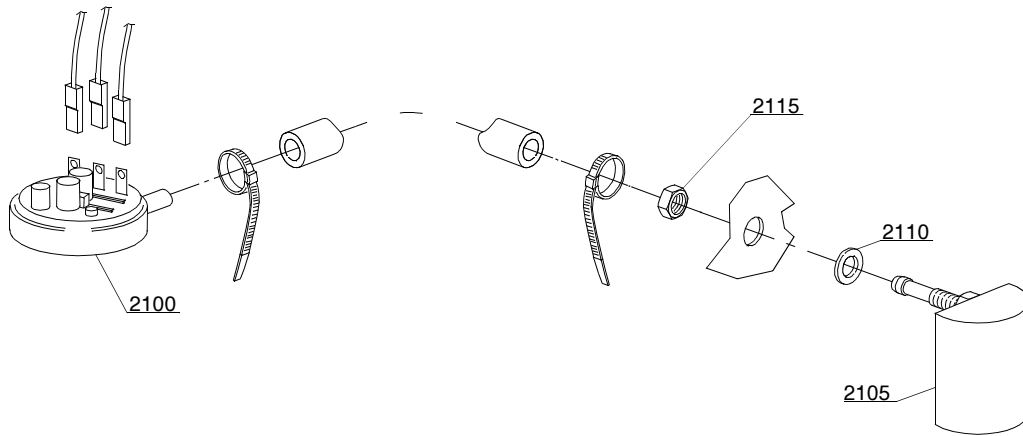
ID	P-code	Model	Type	Accessory	Voltage	Description
MODULE:Dosing device group						
5100	15985		16U	dd		Seko dosing device
5105	12525		16U	dd		Counter-weight
5110	15058		16U	dd		Small filter
5115	15123		16U	dd		Complet plastic injector
5120	15148		16U	dd		Steel injector
5125	15159		16U	dd		OR gasket
5130	10200205		16U	dd		M12x1 stainless steel nut
5135	15185		16U	dd		Seko thermoplastic pipe
5140	15985		16U	dd		Germac dosing device
5145	15108/E		16U	dd		Germac thermoplastic pipe

15_003_e



Spare parts

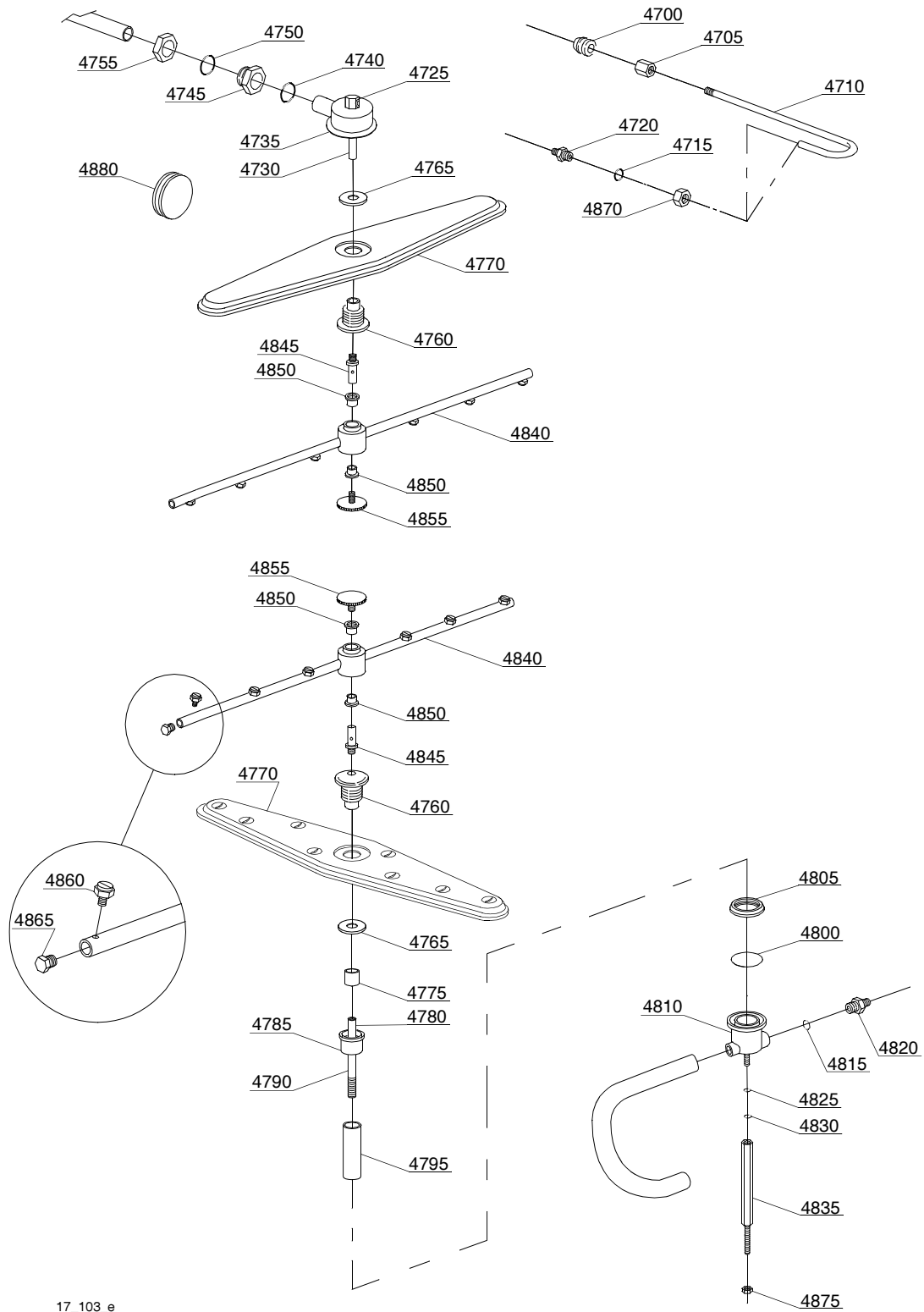
ID	P-code	Model	Type	Accessory	Voltage	Description
MODULE:Drain pump group						
1905	10702		16U	dp		5 uF condenser
1910	10501/A		16U	dp		Drain pump
1915	11806		16U	dp		25/40 clamp
1920	11836		16U	dp		20/32 clamp
1925	11809		16U	dp		30/45 clamp
1930	18044		16U	dp		Ø28 top wash pipe
1935	10200039		16U	dp		Flow drain filter
1945	18767		16U	dp		Drain coude/pump connection pipe



16_001_e

Spare parts

ID	P-code	Model	Type	Accessory	Voltage	Description
MODULE:Pressure switch group with air trap						
2100	75950		16U			86-59 pressure switch
2105	10911/C		16U			Air trap assembly
2110	13301		16U			Gasket
2115	11702		16U			M8 stainless steel nut



17_103_e

Spare parts

ID	P-code	Model	Type	Accessory	Voltage	Description
MODULE:Turret group with rotating arms						
4700	13304		16U			Pipe-pass gasket
4705	12526		16U			Stainless steel pipe coupling
4710	75066		16U			Top rinse ramp
4715	13003		16U			OR 112 NBR gasket
4720	12006		16U			Ø10 rinse pipe fitting
4725	75319		16U			Rinse elbow
4730	75322		16U			Top rinse axle extension
4735	75067		16U			Stainless steel turret
4740	13004		16U			OR 3137 NBR gasket
4745	15042		16U			"1"" 1/4 ring nut"
4750	13008		16U			OR 147 NBR gasket
4755	15042/A		16U			Nut
4760	75320		16U			Hub for rotor
4765	75317		16U			Nut for hub
4770	75915		16U			Stainless steel wash rotor
4775	75321		16U			Spacer for hub
4780	75315		16U			Rinse axle extension
4785	15040/A		16U			Lower wash bell-shape
4790	22026		16U			Lower extension axle
4795	22050		16U			Steel pipe coupling
4800	13022		16U			OR 4150 gasket
4805	15038		16U			Ring nut connection
4810	15041/A		16U			Grey wash/rinse lower distributor
4815	13003		16U			OR 112 NBR gasket
4820	12506		16U			Ø10 rubber-holder
4825	11185		16U			8x16 steel plane washer
4830	13313		16U			8x24x2 gasket
4835	22024		16U			Lower tie rod
4840	75918		16U			Top/lower rinse group
4845	75323		16U			Rinse axle
4850	13330		16U			Sliding washer
4855	11101/B		16U			Stainless steel group fixing screw
4860	560018		16U			Stainless steel rinse nozzle
4865	560017		16U			Rinse arm plug
4870	12006/A		16U			Ø10 pipe fitting 3/8x3,5 nut 19 hexagonal
4875	11702		16U			M8 stainless steel nut
4880	13316/A		16U			DVGW hole gasket