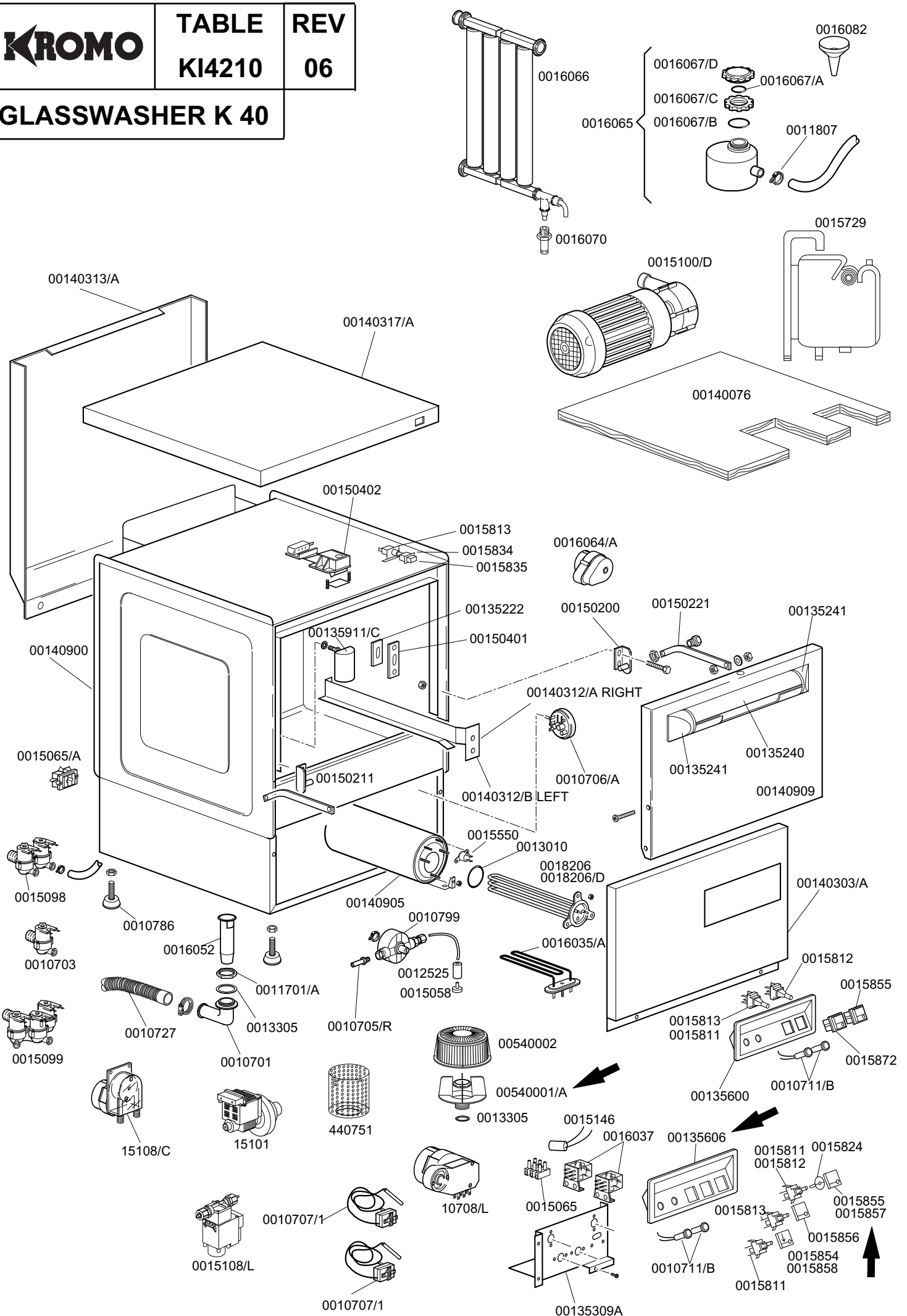


KROMO

**TABLE
KI4210**

**REV
06**

GLASSWASHER K 40

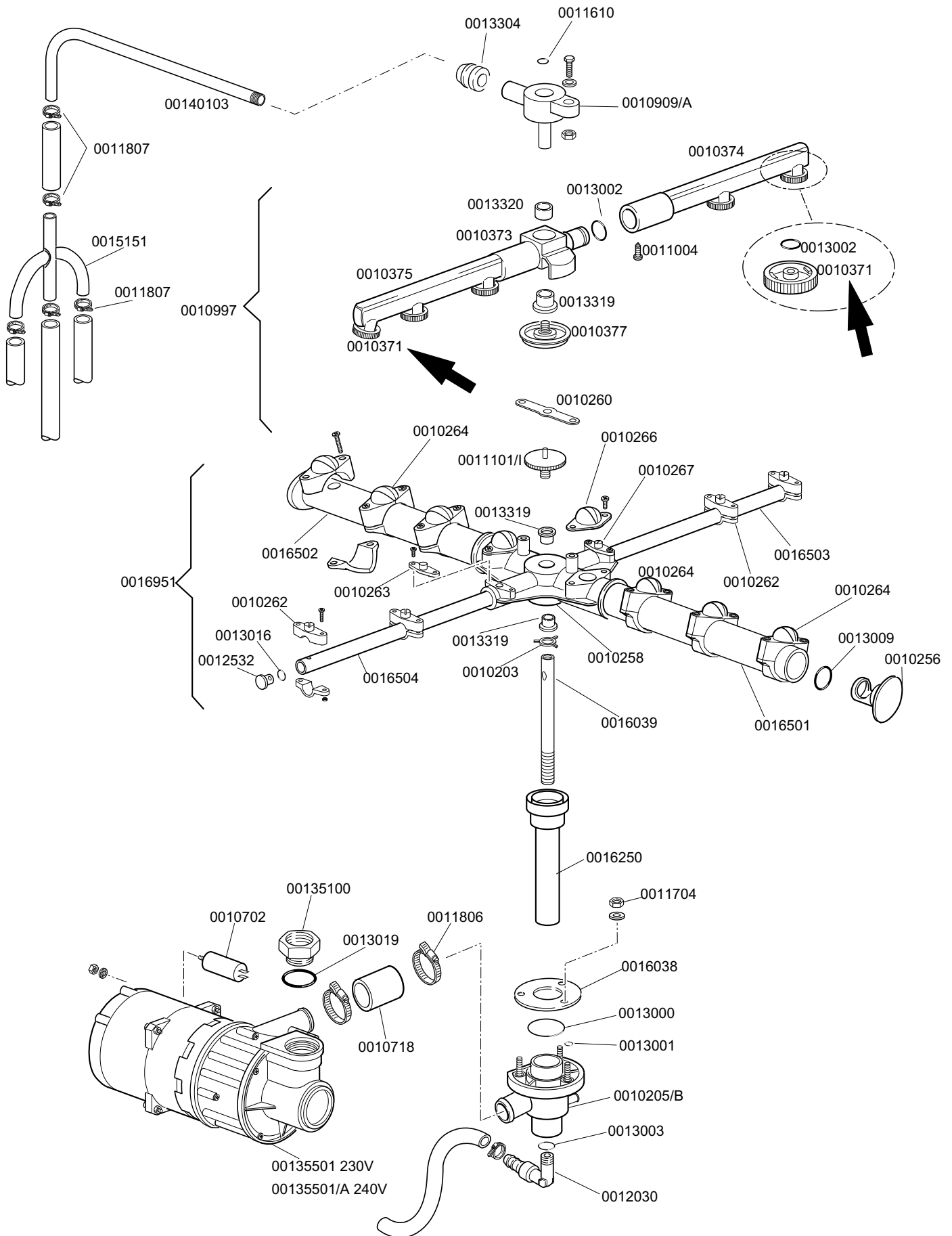


GLASSWASHER K 40

**TABLE
KI4210**

CODE	DESCRIPTION	CODE	DESCRIPTION
0010701	Drain elbow	0015857	Q5 green push button ←
0010703	220V entry solenoid valve	0015872	Q7 green push button cold/warm
0010705/R	D.8 pipe fitting	0016035/A	Tub short heating element
0010706/A	"EL" pressure switch	0015108/L	Lang dosing device
0010707/1	Thermostat	0016037	B 1-2 relay
0010708/L	Rapid timer 120" 230/50	0016052	Overflow device pipe
0010711/B	220V. fluor. pilot lamp	0016064/A	Timer 18' CDC
0010727	1,5 m. H2O drain liner	0016065	Salt container
0010786	40 d. M10x25 small black foot	0016066	1 liter 4 element decalcifier
0010799	Shining product dosing device	0016067/A	OR for salt container plug
0011701/A	Stainless steel nut for floor drain	0016067/B	Salt container gasket
0011807	12/20 stainless steel clamps	0016067/C	Salt container ferrule
0012525	Counter-weight for small filter	0016067/D	Salt container plug
0013010	OR heating element gasket	0016070	CFD complete non return valve
0013305	44x32x3 drain elbow gasket	0016082	Funnel
00135222	Beating door	0018206	2400W 230V heating element
00135240	Handle door in plastic	0018206/D	2800W 230V heating element
00135241	Ending of handle K	00440751	Inox filter for drain pump
00135309A	Support component K35-40	00540001/A	Ferrule with filter ←
00135600	2 + 2 instrument panel	00540002	Plastic filter for body d. 42
00135606	3 + 2 instrument panel		
00135911/C	Complete air trap		
00140076	Polystirene coat K 40		
00140303/A	Lower door K 40		
00140312/A	Right guide for basket		
00140312/B	Left guide for basket		
00140313/A	Dorsal panel K 40		
00140317/A	Lid for K 40		
00140900	Complete body K 40		
00140905	Boiler series 40		
00140909	Complete door K 40		
00150200	Hinge door		
00150211	Left hinge door		
00150221	Door rod		
00150401	Guide for bent rod		
00150402	Complete brass hook		
0015058	Small shining product suct. filter		
0015065	12 poles terminal board		
0015065/A	Cable fastener with screw		
0015098	Double solenoid valve		
0015099	Triple solenoid valve		
0015100/D	Pressure increase pump		
0015101	Drain pump		
0015108/C	G8 electrical dosing device		
0015146	F1 antijamming filter		
0015550	Conveyor safety thermostat		
0015729	2,5 lt. break tank		
0015811	Deviator switch electric component 16A		
0015812	16A starter electric component		
0015813	16A unipolar switch electric component		
0015824	Green-orange cam		
0015834	Start switch		
0015835	Square start push button		
0015854	Q5 push button for drain pump		
0015855	Q5 yellow push button for 0/1		
0015858	Q5 yellow push button		

GLASSWASHER K 40



GLASSWASHER K 40 L

**TABLE
KI4231**

CODE	DESCRIPTION	CODE	DESCRIPTION
0010203	Pipe guide		
0010205/B	Lower wash turret		
0010221	Grey nozzle		
0010256	D. 18 grey cap		
0010258	4 ways small grey endorser		
0010260	Plate for rotor		
0010262	D.10 rinse grey nozzle		
0010263	D.10 grey closed level nozzle		
0010265	D.18 grey closed level nozzle		
0010266	D. 18 grey open level nozzle		
0010267	Closed flat rinse jet D.10 grey		
0010371	Rinse nozzle head open		
0010373	Rinse rotor		
0010374	Right rinsing pipe		
0010375	Left rinsing pipe		
0010377	Knob with insert		
0010702	5 mf 450v condensor		
0010909/A	Turret upper grey rinse		
0010997	Top rinse group		
0010997	Top rinse group		
0011004	TCB D.8 4x10 spax screw		
0011101/I	Knurled stainless steel group screw		
0011610	Copper wash		
0011701/A	Stainless steel nut for floor drain		
0011704	M5 stainless steel nut		
0011806	25/40 stainless steel clamps		
0011807	12/20 stainless steel clamps		
0012030	Elbow connction K 37/K40		
0012503	20 mm wash pipe closing plug		
0013000	OR 3125 EP		
0013001	OR 104 EP		
0013002	OR R6		
0013003	OR 112 EP for rinse pipe fitting		
0013009	OR 2050 gasket for 18 d. pipe		
0013304	Pipe-pass gasket		
0013305	44x32x3 drain elbow gasket		
0013306/A	Pump gasket		
0013319	PTFE+CB H11.5 sliding washer		
0013320	14x10.2x6 D. PTFE+CB sliding washer		
00140103	40 rinse ramp		
00140903	Top wash pipe 40 assembly		
0015151	10x1 d. AISI 4 way turnout		
0016038	60 d. stainless steel disk		
0016039	10x1.5x185 d. small s.s. shaft		
0016167	Ls top EPDM wash pipe		
0016168	Ls lower EPDM wash delivery pipe		
0016250	Glass unit with coupling		
0016501	94 right wash pipe		
0016502	94 left wash pipe		
0016503	94 right rinse pipe		
0016504	94 left rinse pipe		
0016951/A	Wash rinse group 40		
0018135	Wash nozzle		
0018300	Electricpump HP 0.45 230V 2 way		
0018787	Suction coupling		

