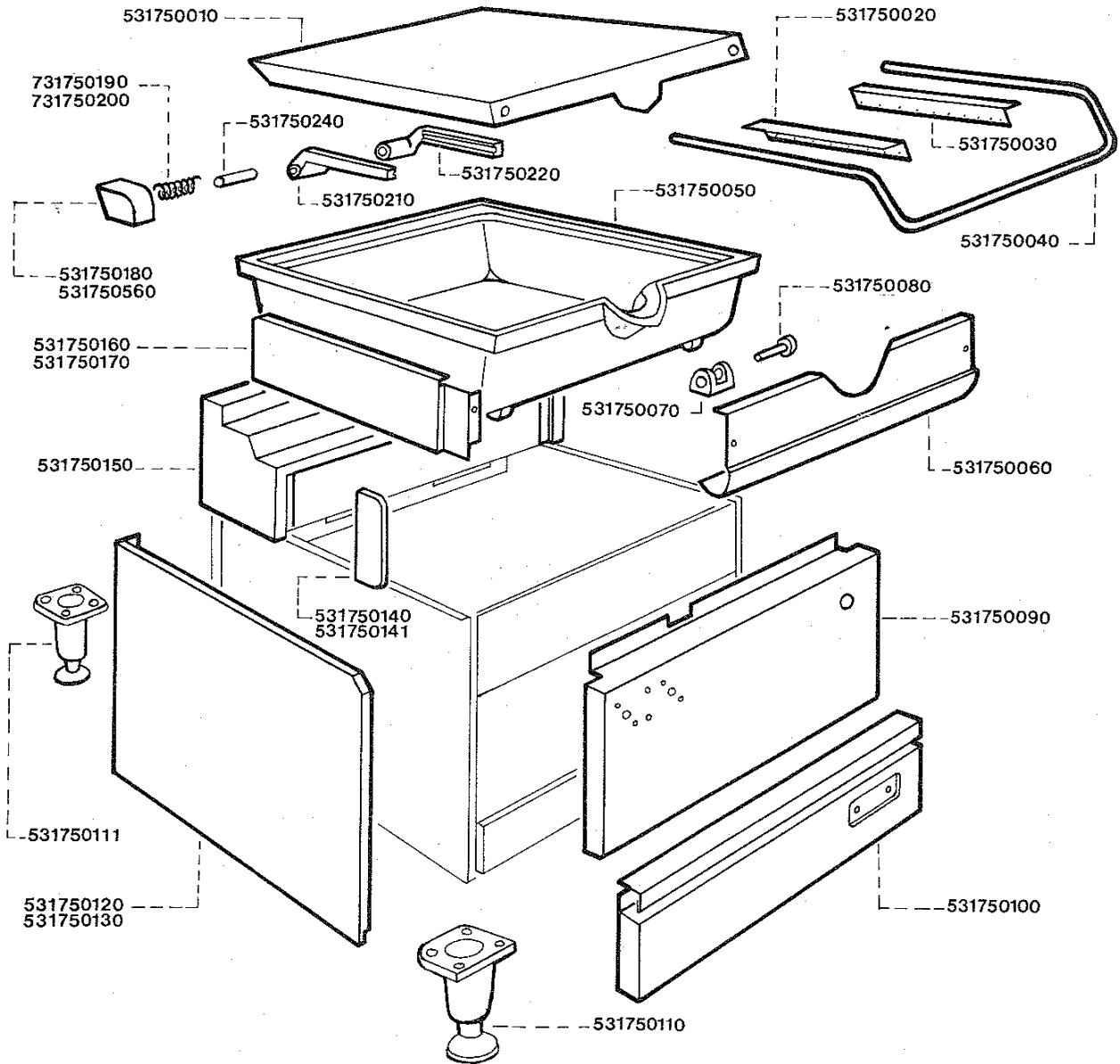


E1962 BRATT PAN

BRATT PAN FITMENTS



Code No.	Description	Code No.	Description
6H 531750010	Pan Lid.	2F 531750130	Outer Side Panel — RH.
9C 531750020	Lid Hinge Bracket — LH.	12C 531750140	End Cheek — LH.
9C 531750030	Lid Hinge Bracket — RH.	12C 531750141	End Cheek — RH.
10G 531750040	Lid Handle.	10G 531750150	Rear Hob Rail.
11N 531750050	Pan.	12D 531750160	Pan Side Panel — LH.
1D 531750060	Pan Facia Panel.	12D 531750170	Pan Side Panel — RH.
9C 531750070	Pan Hinge Casting.	3E 531750180	Lid Hinge Block — LH.
6B 531750080	Pan Hinge Pin.	3E 531750560	Lid Hinge Block — RH.
7F 531750090	Front Panel.	8B 731750190	Lid Hinge Spring — LH.
12E 531750100	Bottom Front Panel.	8B 731750200	Lid Hinge Spring — RH.
9B 531750110	Adjustable Leg c/w foot — Front.	10E 531750210	Lid Hinge Arm — LH.
9B 531750111	Adjustable Leg c/w foot — Rear.	10E 531750220	Lid Hinge Arm — RH.
2F 531750120	Outer Side Panel — LH.	3C 531750240	Lid Hinge Bar

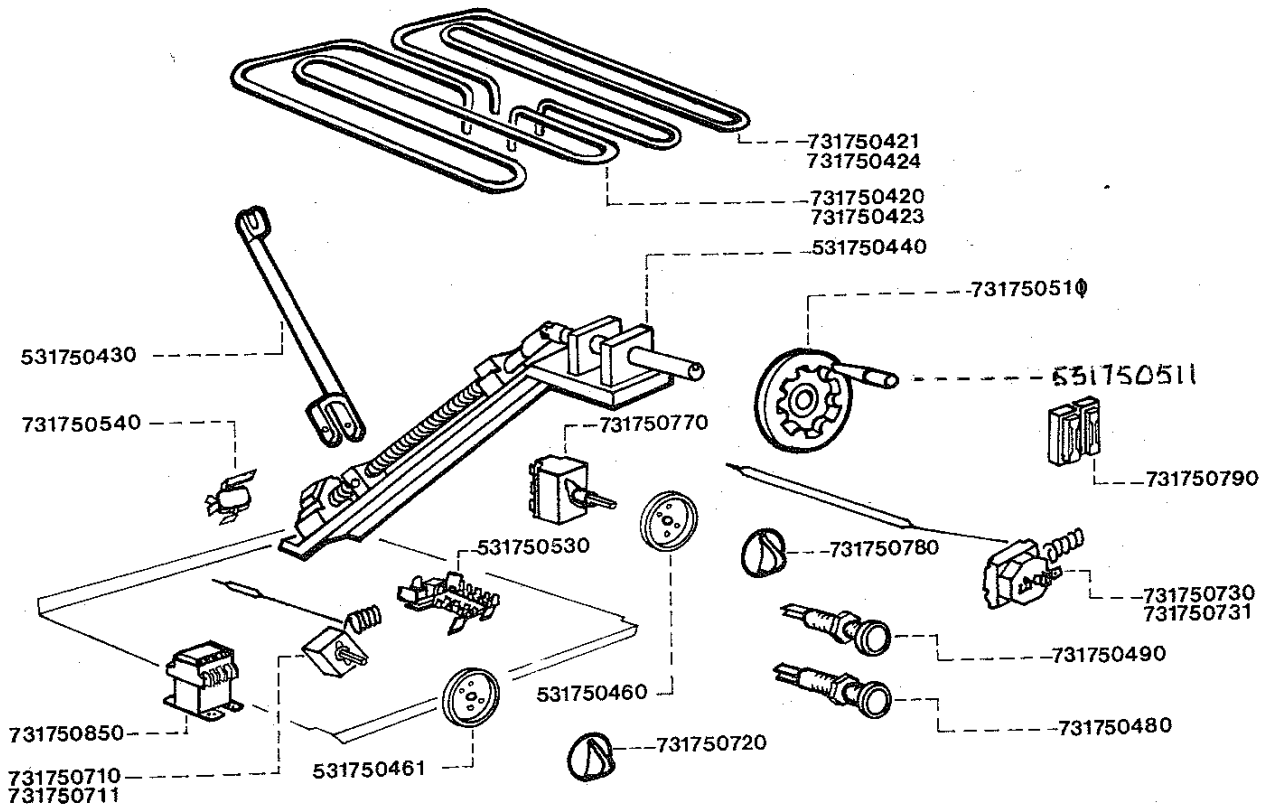
Sheet Reference Number

E1962/0984/001

**Falcon Catering
Equipment**
Commercial and institutional
catering equipment



Falcon Catering Equipment is a
business name of
Glynwed Consumer & Building Products Ltd
a member of the
Glynwed International plc
group of companies



Code No.	Description
2F 531750430	Jack Arm.
5N 531750440	Screw Jack.
6B 531750460	Bezel for Simmerstat.
6B 531750461	Bezel for Control Thermostat.
9B 531750530	Terminal Block.
7F 731750420	Element LH 3.2 kW 240V.
7F 731750421	Element RH 3.2 kW 240V.
7F 731750423	Element LH 3.2 kW 220V.
7F 731750424	Element RH 3.2 kW 220V.
7B 731750480	Indicator Lamp — Amber.
7B 731750490	Indicator Lamp — Red.
11J 731750510	Handwheel.
10C 731750540	Micro Switch.

Code No.	Description
6E 731750700	Operating Thermostat c/w Knob
	Pre 01.09.83 (not illustrated).
6E 731750701	Operating Thermostat c/w Knob
	From 01.09.83 (not illustrated).
1E 731750710	Operating Thermostat — Pre 01.09.83.
1E 731750711	Operating Thermostat — From 01.09.83.
5C 731750720	Operating Thermostat Knob — Pre 01.09.83.
5C 731750721	Operating Thermostat Knob — From 01.09.83.
9E 731750730	Safety Thermostat — Pre 01.09.83.
3E 731750731	Safety Thermostat — From 01.09.83.
12E 731750760	Simmerstat c/w Knob (not illustrated).
9D 731750770	Simmerstat.
8B 731750780	Simmerstat Knob.
2C 731750790	Fuse Link 20A.
10G 731750850	Contactors 129A 4U.

531750511 - FOLDING HANDLE.

Sheet Reference Number

E1962/0984/002

**Falcon Catering
Equipment**
Commercial and institutional
catering equipment



Falcon Catering Equipment is a
business name of
Glynwed Consumer & Building Products Ltd
a member of the
Glynwed International plc
group of companies