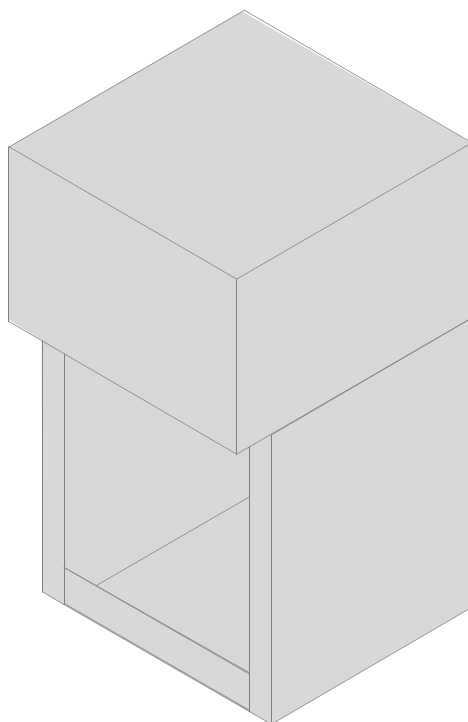


RACK CONVEYOR MACHINE

TYPE: d92

Spare parts manual



S/N:

Valid from:..11/2002

Rev.: 2.0

1. Spare parts

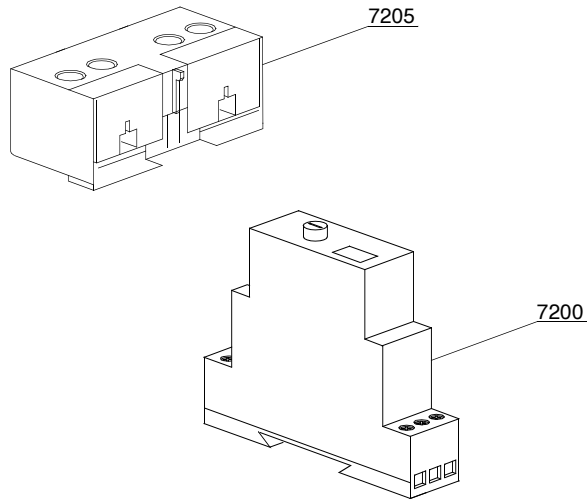
Time relay	7
Dryer LC 90 - LC90/2 (6 - 12kW) - part 1	9
Dryer LC 90/2 (12kW) - part 2	11
Dryer LC90 - LC90/2 (6 - 12kW) - electric components	13
Dryer LC 90 - LC90/2 (6 - 12kW) - electric components	15
Dryer LC 90 - LC 90/2 -LC 90/4 (6 - 12 - 18kW) - electric components	17
Dryer LC 90 - LC 90/2 -LC 90/4 (6 - 12 - 18kW) - electric components	19
Dryer LC 90 - LC 90/2 - LC 90/4 (6 - 12 - 18kW) - electric components	21
Dryer LC 90 - LC 90/2 - LC 90/4 (6 - 12 - 18kW) - electric components	23
Dryer LC 90 - LC 90/2 (6 - 12kW) - electric components	25
Dryer LC 90 - LC 90/2 (6 - 12kW) - electric components	27

1.1 Voltage codes

Voltage code	Voltage
A	3/N/PE~400/230V 50Hz
B	~250V 16A 50Hz
C	3/N/PE~380/220V 50Hz
D	3/PE~200V 50-60Hz
F	2/PE 220-240V 50Hz
G	3/N/PE~415/240V 50Hz
H	3/PE~230V 50Hz
I	3/PE~220V 60Hz
J	3/PE~380 50Hz
K	3/PE~400V 50Hz
L	3/PE~415V 50Hz
M	3/PE~440V 60Hz
N	3/PE~460V 60Hz
O	3/PE~480V 60Hz
P	1/N/PE~220-240V 50Hz
R	2/PE~220-230V 60Hz
S	3/N/PE~400/230V 50Hz
T	3/PE~230V 60Hz

1.2 Product codes

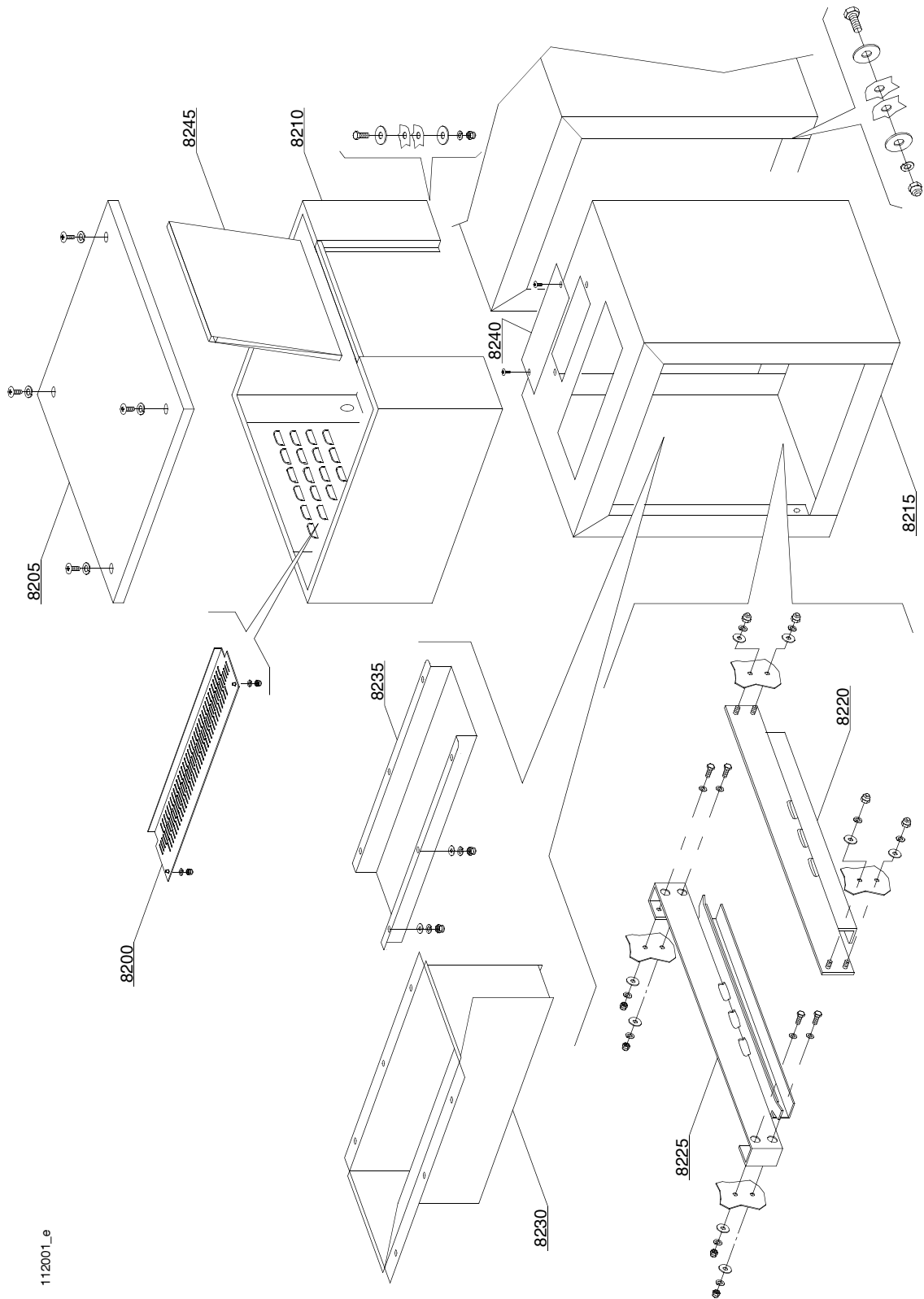
Product code	Full name
Model codes	
Type codes	
d92	d92
Accessory codes	



07_001_e

Spare parts

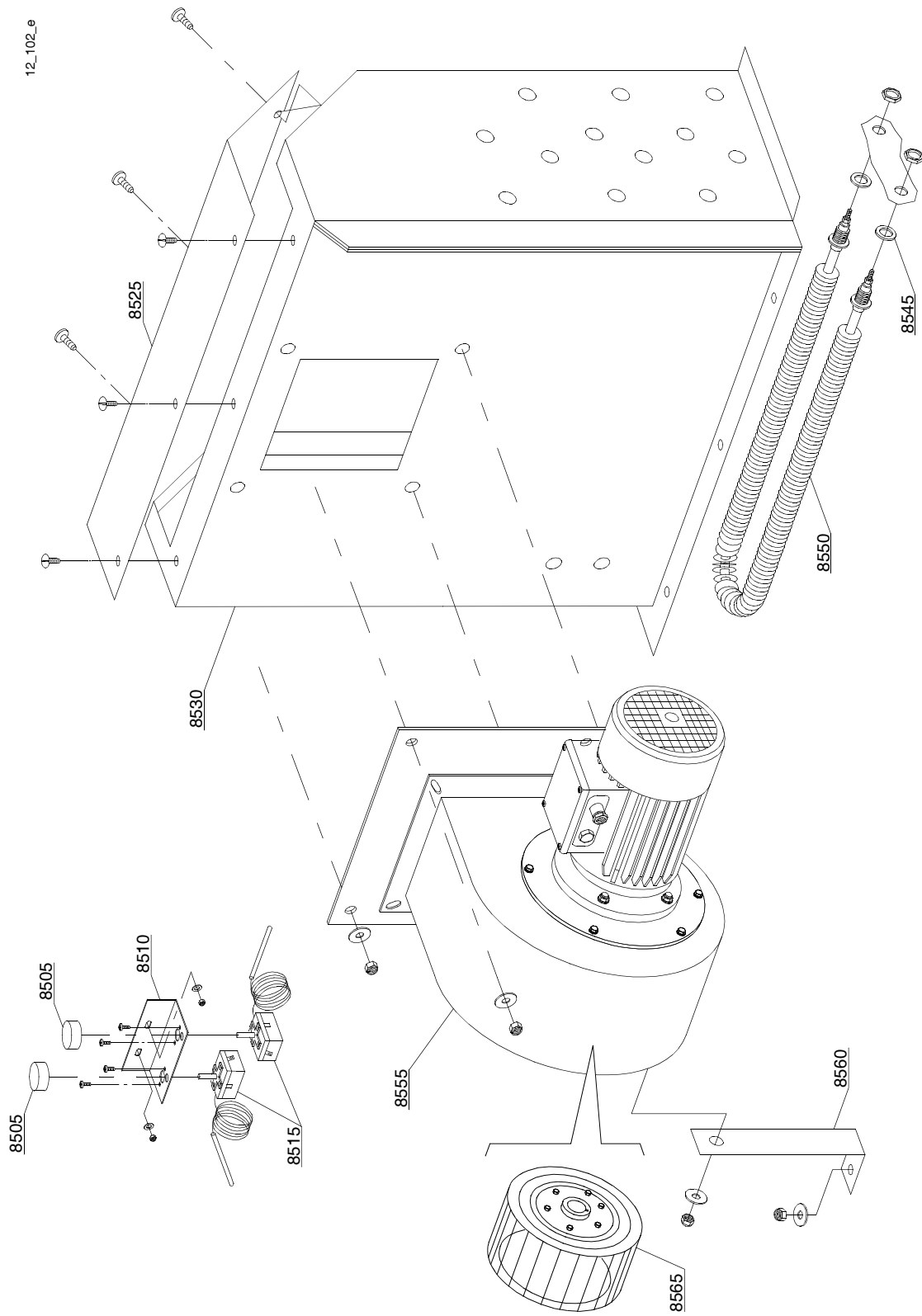
ID	P-code	Model	Type	Accessory	Voltage	Description
MODULE:Time relay						
7200	3006225		34,34HS,22,23,24,25,26,27,28,71,71G,39,sc8,sc9,d8,d9,d92,d94,974,975		A	Time relay 24V
7205	3006068		34,34HS,22,23,24,25,26,27,28,71,71G,39,sc8,sc9,d8,d9,d92,d94,974,975		A	MC9 auxiliary contact 1NO-1NC
7205	3002057		34,34HS,22,23,24,25,26,27,28,71,71G,39,sc8,sc9,d8,d9,d92,d94,974,975		A	MC9 auxiliary contact 2NO
7205	3002052		34,34HS,22,23,24,25,26,27,28,71,71G,39,sc8,sc9,d8,d9,d92,d94,974,975		A	MC9 auxiliary contact 2NC



112001_e

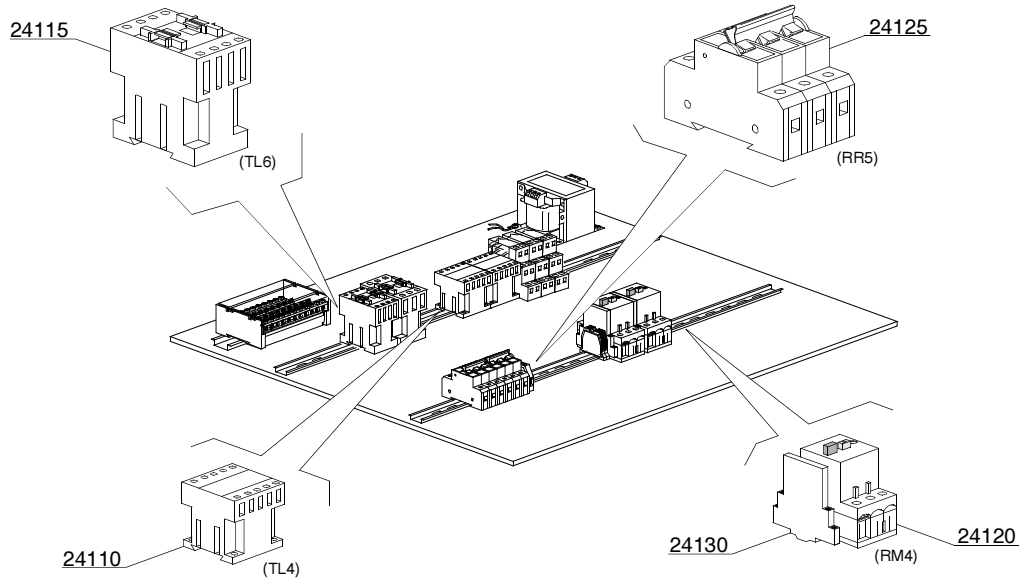
Spare parts

ID	P-code	Model	Type	Accessory	Voltage	Description
MODULE:Dryer LC 90 - LC 90/2 (6 - 12kW) - part 1						
8200	3009362/A		22,160,23,24,250,25,26,380,380L,27,28,540,540L,71,72,d9,d92			Protection
8205	3009267		22,160,23,24,250,25,26,380,380L,27,28,540,540L,71,72,d9,d92			Cover panel
8210	3009484		22,160,23,24,250,25,26,380,380L,27,28,540,540L,71,72,d9,d92			Complete body
8215	3009485		22,160,23,24,250,25,26,380,380L,27,28,540,540L,71,72,d9,d92			Dryer module
8220	3009047		22,160,23,24,250,25,26,380,380L,27,28,540,540L,71,72,d9,d92			Front slideways
8225	3009057		22,160,23,24,250,25,26,380,380L,27,28,540,540L,71,72,d9,d92			Back slideways
8230	3009492		22,160,23,24,250,25,26,380,380L,27,28,540,540L,71,72,d9,d92			Flow conveyor
8240	3009100		22,160,23,24,250,25,26,380,380L,27,28,540,540L,71,72,d92			Air covering
8245	3009268		22,160,23,24,250,25,26,380,380L,27,28,540,540L,71,72,d9,d92			Dryer carter lockup



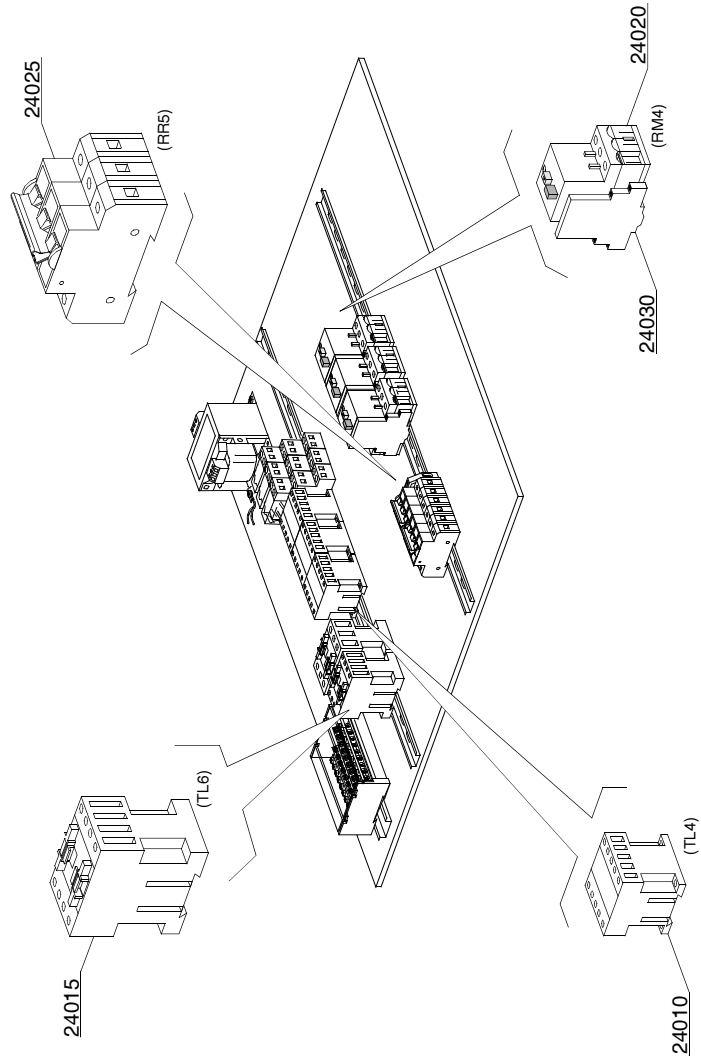
ID	P-code	Model	Type	Accessory	Voltage	Description
MODULE:Dryer LC 90/2 (12kW) - part 2						
8505	15105/A		34,34HS,22,160,23,24,250,25,26,380,380L,27,28,540,540L,71,72,d92,974,975			Thermostat knob
8510	3009104		34,34HS,22,160,23,24,250,25,26,380,380L,27,28,540,540L,71,72,d92,974,975			Thermostat support
8515	10707/2		34,34HS,22,160,23,24,250,25,26,380,380L,27,28,540,540L,71,72,d92,974,975			Thermostat with shaft 0 - 90°
8525	3009085		34,34HS,22,160,23,24,250,25,26,380,380L,27,28,540,540L,71,72,d92,974,975			Cover drying conveyor
8530	3009488		34,34HS,22,160,23,24,250,25,26,380,380L,27,28,540,540L,71,72,d92,974,975			Right drying conveyor
8530	3009489		34,34HS,22,160,23,24,250,25,26,380,380L,27,28,540,540L,71,72,d92,974,975			Left drying conveyor
8545	10200171		34,34HS,22,160,23,24,250,25,26,380,380L,27,28,540,540L,71,72,d92,974,975			Gasket FASIT 25x17x2
8550	2000359		34,34HS,22,160,23,24,250,25,26,380,380L,27,28,540,540L,71,72,d92,974,975			Drying heating element with nut
8555	3003118		34,34HS,22,160,23,24,250,25,26,380,380L,27,28,540,540L,71,72,d92,974,975			Motorfan 0.75 kW
8555	3000301		34,34HS,22,160,23,24,250,25,26,380,380L,27,28,540,540L,71,72,d92,974,975			Motorfan 1,5 kW
8560	3009214		34,34HS,22,160,23,24,250,25,26,380,380L,27,28,540,540L,71,72,d92,974,975			Motorfan support
8565	3003119		34,34HS,22,160,23,24,250,25,26,380,380L,27,28,540,540L,71,72,d92,974,975			Pump rotor

112105_e



Spare parts

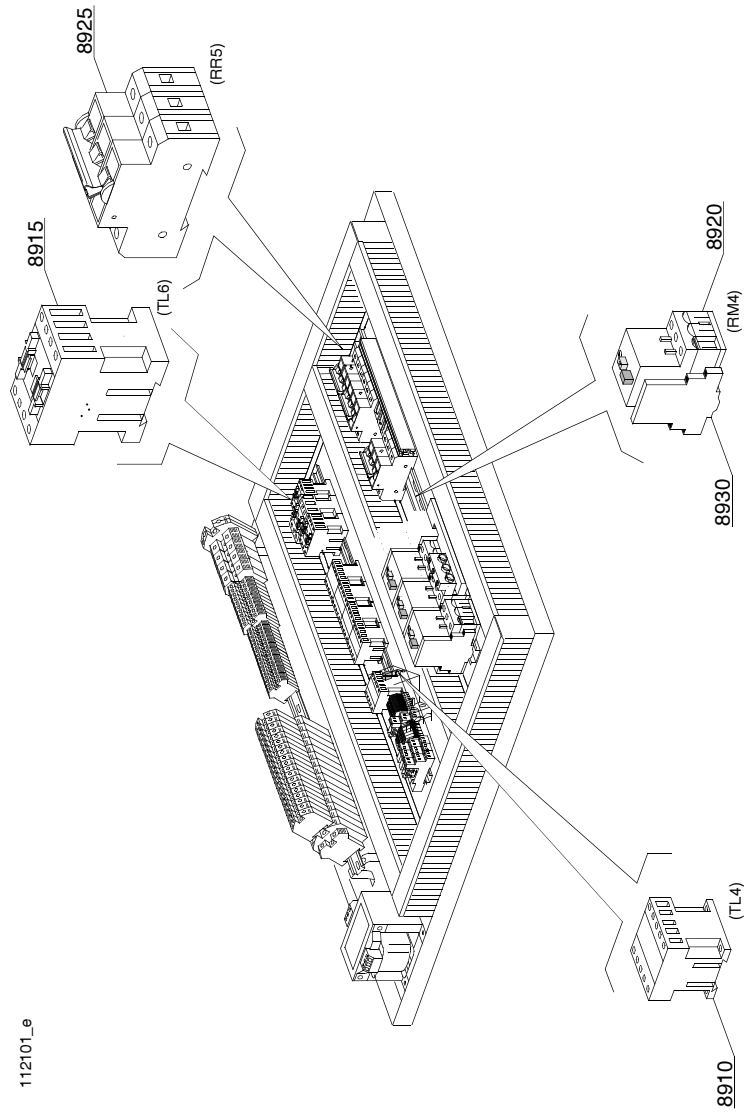
ID	P-code	Model	Type	Accessory	Voltage	Description
MODULE:Dryer LC 90 - LC 90/2 (6 - 12kW) - electric components						
24110	2000370		22,d9,d92,974,975		A	Contactora MC9
24115	2000385		22,160,d92,974,975		A	Contactora BF20 (LC90/2 - 12kW)
24120	2000394		22,d9,d92		A	Motorprotector 2,5-4A (Motorfan 0,75 kW)
24120	2000400		22,160,d92,974,975		A	Motorprotector 4-6,3A (Motorfan 1,5 kW)
24125	2000404		22,160,d92,974,975		A	Automatic fuse C25 (LC90/2 - 12kW)
24130	3006080		22,160,d9,d92,974,975		A	Auxiliary contact LMS25



112104_e

Spare parts

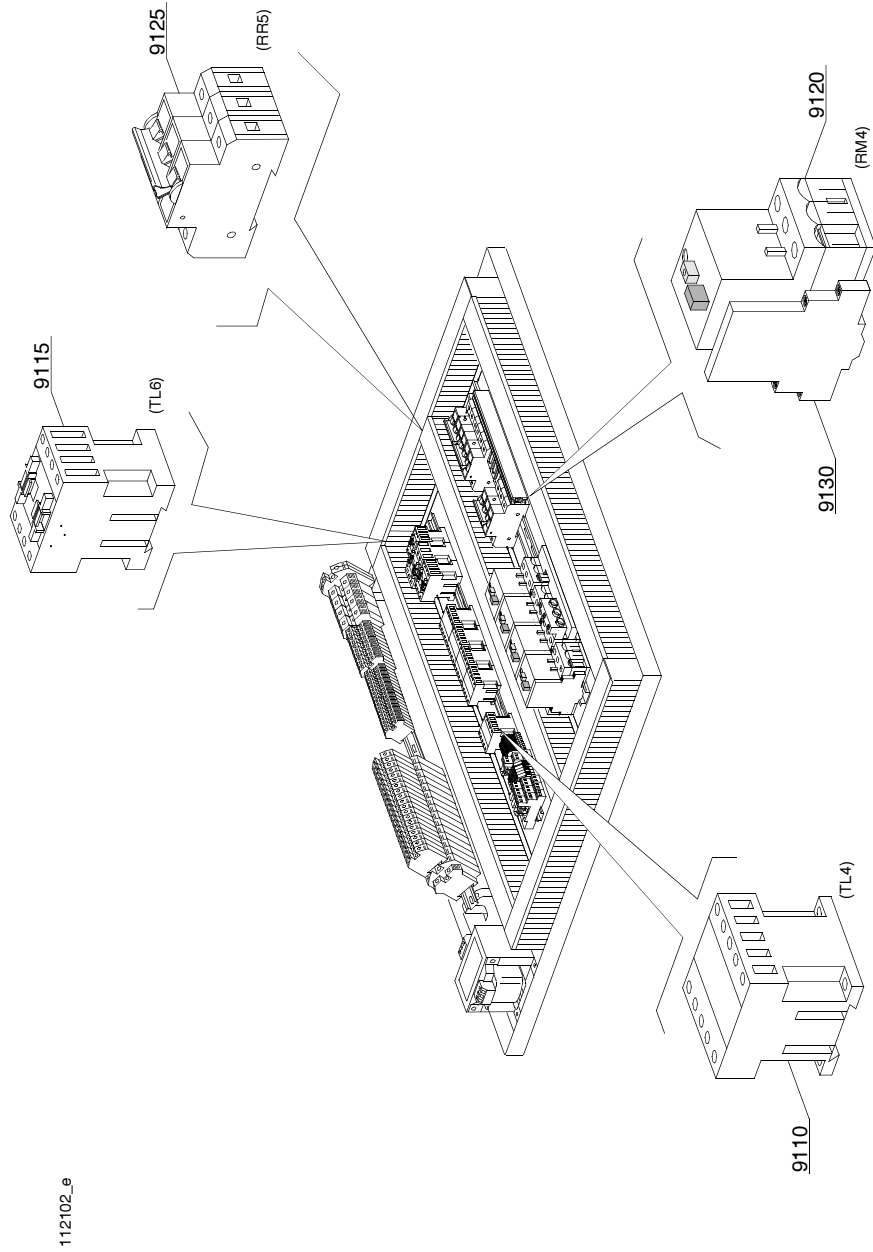
ID	P-code	Model	Type	Accessory	Voltage	Description
MODULE:Dryer LC 90 - LC 90/2 (6 - 12kW) - electric components						
24010	2000370		23,d9,d92,974,975		A	Contactora MC9
24015	2000385		23,d9,d92,974,975		A	Contactora BF20 (LC90/2 - 12kW)
24020	2000394		23,d9,d92		A	Motorprotector 2,5-4A (Motorfan 0,75 kW)
24020	2000400		23,d92,974,975		A	Motorprotector 4-6,3A (Motorfan 1,5 kW)
24025	2000404		23,d92,974,975		A	Automatic fuse C25 (LC90/2 - 12kW)
24030	3006080		23,d9,d92,974,975		A	Auxiliary contact LMS25



112101_e

Spare parts

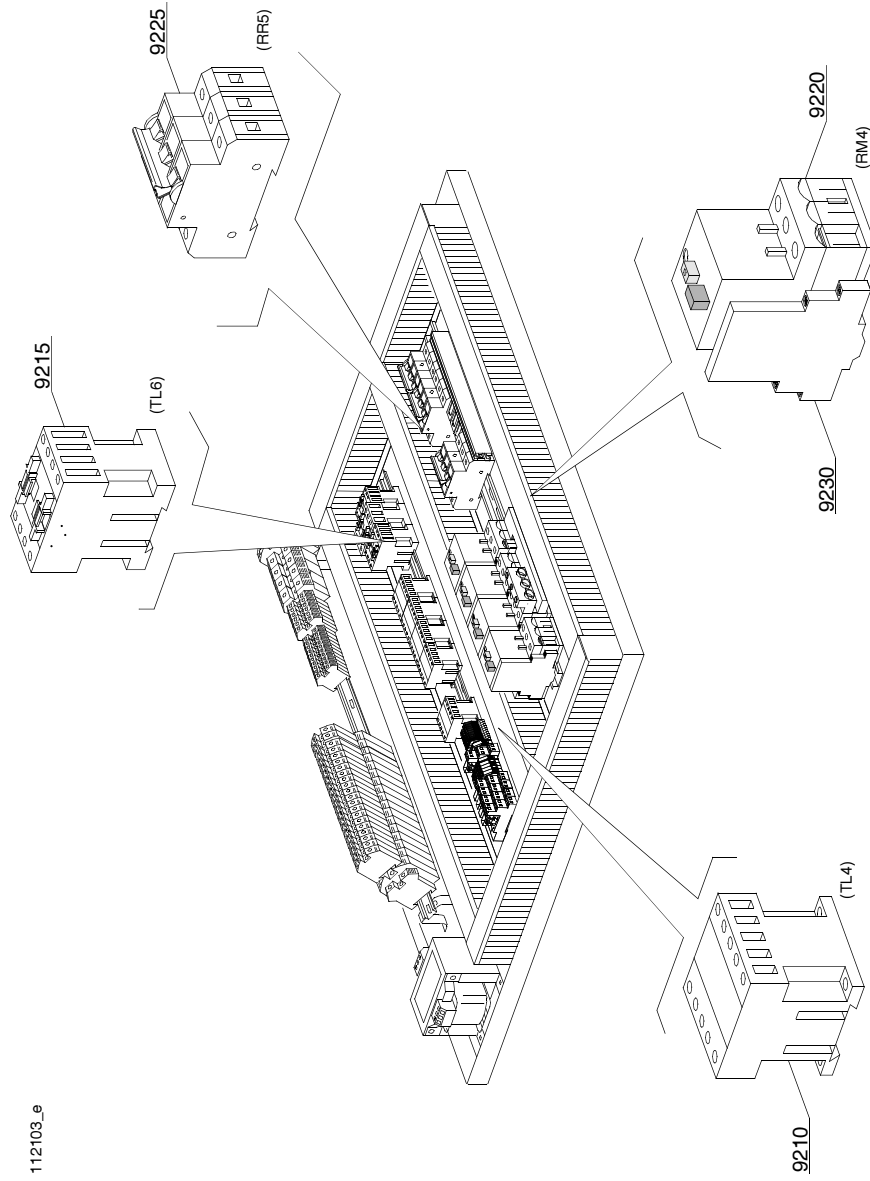
ID	P-code	Model	Type	Accessory	Voltage	Description
MODULE:Dryer LC 90 - LC 90/2 - LC 90/4 (6 - 12 - 18kW) - electric components						
8910	2000370		24,250,d9,d92,974,975, d94		A	Contactor MC9
8915	2000385		24,250,d92,974,975		A	Contactor BF20 (LC90/2 - 12kW)
8920	2000394		24,d9,d92		A	Motorprotector 2,5-4A (Motorfan 0,75 kW)
8920	2000400		24,250,d92,974,975		A	Motorprotector 4-6,3A (Motorfan 1,5 kW)
8925	2000404		24,250,d92,974,975		A	Automatic fuse C25 (LC90/2 - 12kW)
8930	3006080		24,250,d9,d92,974,975, d94		A	Auxiliary contact LMS25



112102_e

Spare parts

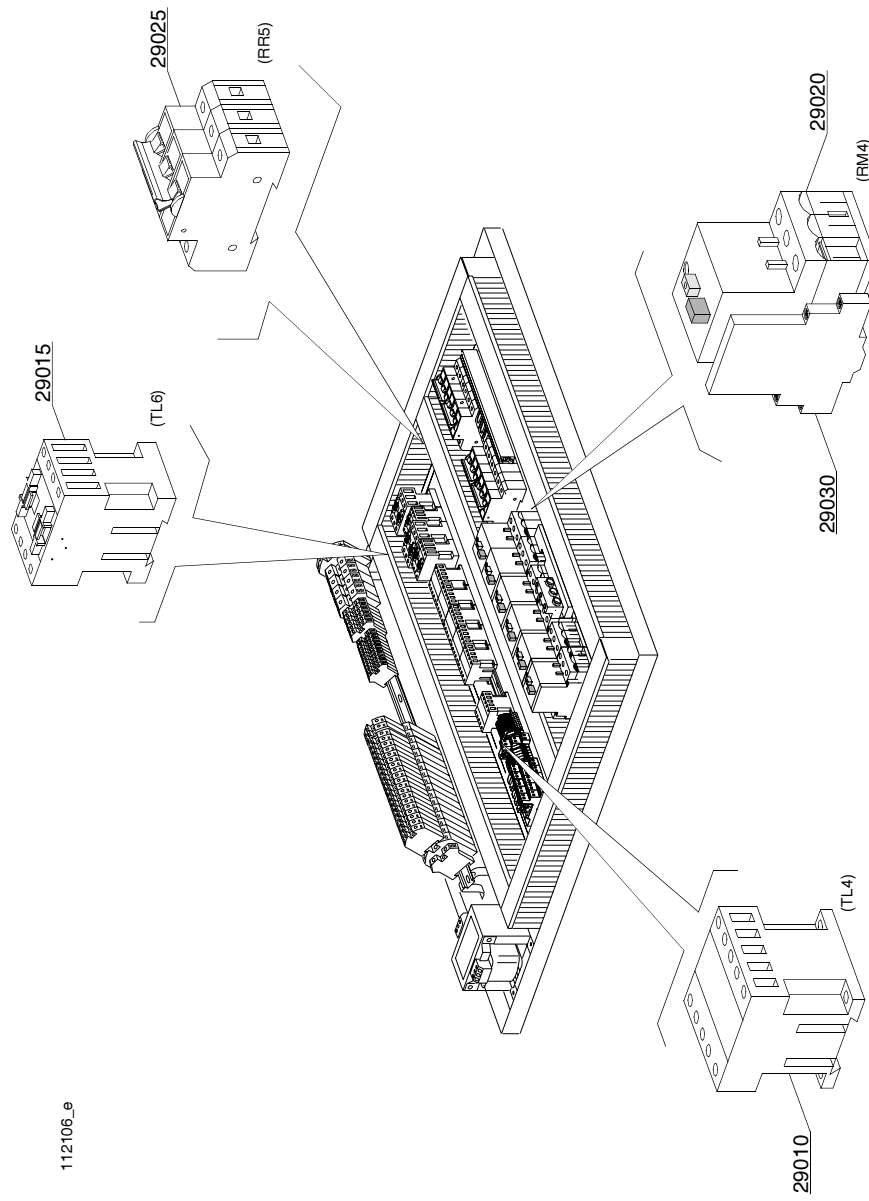
ID	P-code	Model	Type	Accessory	Voltage	Description
MODULE:Dryer LC 90 - LC 90/2 -LC 90/4 (6 - 12 - 18kW) - electric components						
9110	2000370		25,d9,d92,974,975,d94		A	Contactora MC9
9115	2000385		25,d92,974,975		A	Contactora BF20 (LC90/2 - 12kW)
9120	2000394		25,d9,d92		A	Motorprotector 2,5-4A (Motorfan 0,75 kW)
9120	2000400		25,d92,974,975		A	Motorprotector 4-6,3A (Motorfan 1,5 kW)
9125	2000404		25,d92,974,975		A	Automatic fuse C25 (LC90/2 - 12kW)
9130	3006080		25,d9,d92,974,975,d94		A	Auxiliary contact LMS25



112103_e

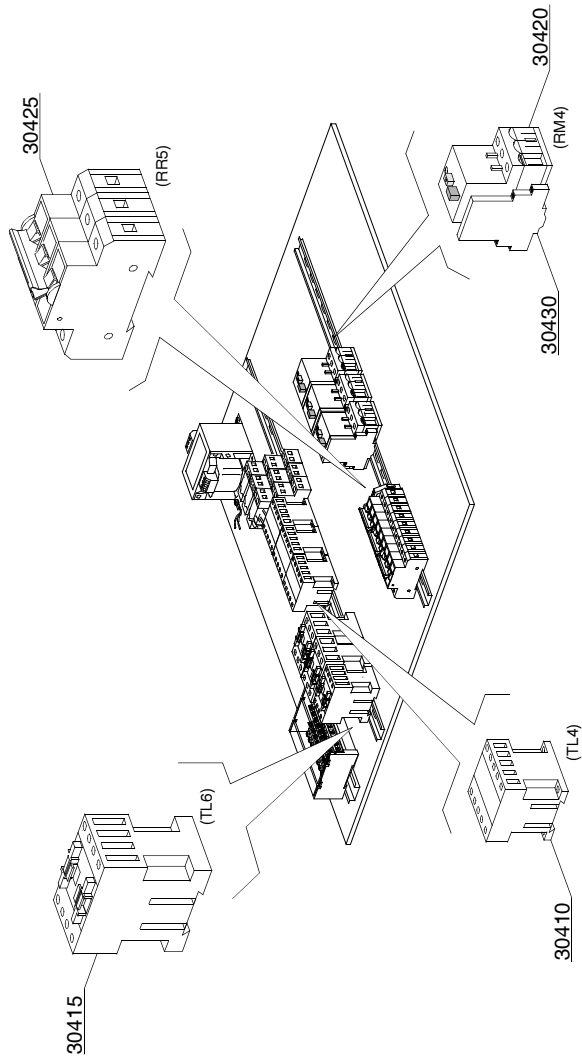
Spare parts

ID	P-code	Model	Type	Accessory	Voltage	Description
MODULE: Dryer LC 90 - LC 90/2 - LC 90/4 (6 - 12 - 18kW) - electric components						
9210	2000370		26,380,380L,d9,d92,974,975,d94		A	Contacteur MC9
9215	2000385		26,380,380L,d92,974,975		A	Contacteur BF20 (LC90/2 - 12kW)
9220	2000394		26,d9,d92		A	Motorprotector 2,5-4A (Motorfan 0,75 kW)
9220	2000400		26,380,380L,d92,974,975		A	Motorprotector 4-6,3A (Motorfan 1,5 kW)
9225	2000404		26,380,380L,d92,974,975		A	Automatic fuse C25 (LC90/2 - 12kW)
9230	3006080		26,380,380L,d9,d92,974,975,d94		A	Auxiliary contact LMS25



Spare parts

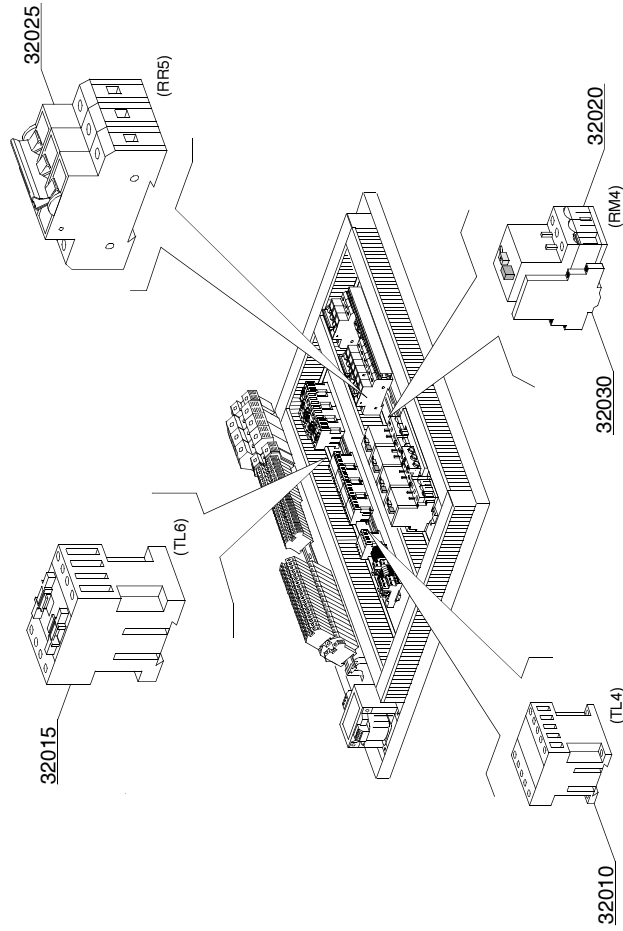
ID	P-code	Model	Type	Accessory	Voltage	Description
MODULE:Dryer LC 90 - LC 90/2 - LC 90/4 (6 - 12 - 18kW) - electric components						
29010	2000370		27,28,540,540L,d9,d92, 974,975,d94		A	Contactora MC9
29015	2000385		27,28,540,540L,d92,974 ,975		A	Contactora BF20 (LC90/2 - 12kW)
29020	2000394		27,28,d9,d92		A	Motorprotector 2,5-4A (Motorfan 0,75 kW)
29020	2000400		27,28,540,540L,d92,974 ,975		A	Motorprotector 4-6,3A (Motorfan 1,5 kW)
29025	2000404		27,28,540,540L,d92,974 ,975		A	Automatic fuse C25 (LC90/2 - 12kW)
29030	3006080		27,28,540,540L,d9,d92, 974,975,d94		A	Auxiliary contact LMS25



112107_e

Spare parts

ID	P-code	Model	Type	Accessory	Voltage	Description
MODULE:Dryer LC 90 - LC 90/2 (6 - 12kW) - electric components						
30410	2000370		71,d9,d92,974,975		A	Contactora MC9
30415	2000385		71,d92,974,975		A	Contactora BF20 (LC90/2 - 12kW)
30420	2000394		71,d9,d92		A	Motorprotector 2,5-4A (Motorfan 0,75 kW)
30420	2000400		71,d92,974,975		A	Motorprotector 4-6,3A (Motorfan 1,5 kW)
30425	2000404		71,d92,974,975		A	Automatic fuse C25 (LC90/2 - 12kW)
30430	3006080		71,d9,d92,974,975		A	Auxiliary contact LMS25



112108_e

Spare parts

ID	P-code	Model	Type	Accessory	Voltage	Description
MODULE:Dryer LC 90 - LC 90/2 (6 - 12kW) - electric components						
32010	2000370		72,d9,d92,974,975		A	Contactora MC9
32015	2000385		72,d92,974,975		A	Contactora BF20 (LC90/2 - 12kW)
32020	2000394		72,d9,d92		A	Motorprotector 2,5-4A (Motorfan 0,75 kW)
32020	2000400		72,d92,974,975		A	Motorprotector 4-6,3A (Motorfan 1,5 kW)
32025	2000404		72,d92,974,975		A	Automatic fuse C25 (LC90/2 - 12kW)
32030	3006080		72,d9,d92,974,975		A	Auxiliary contact LMS25