



DSS 42

LIST OF THE EXPLODED VIEWS



SHELL ASSY

COOLING SYSTEM

HYDRAULIC CIRCUIT

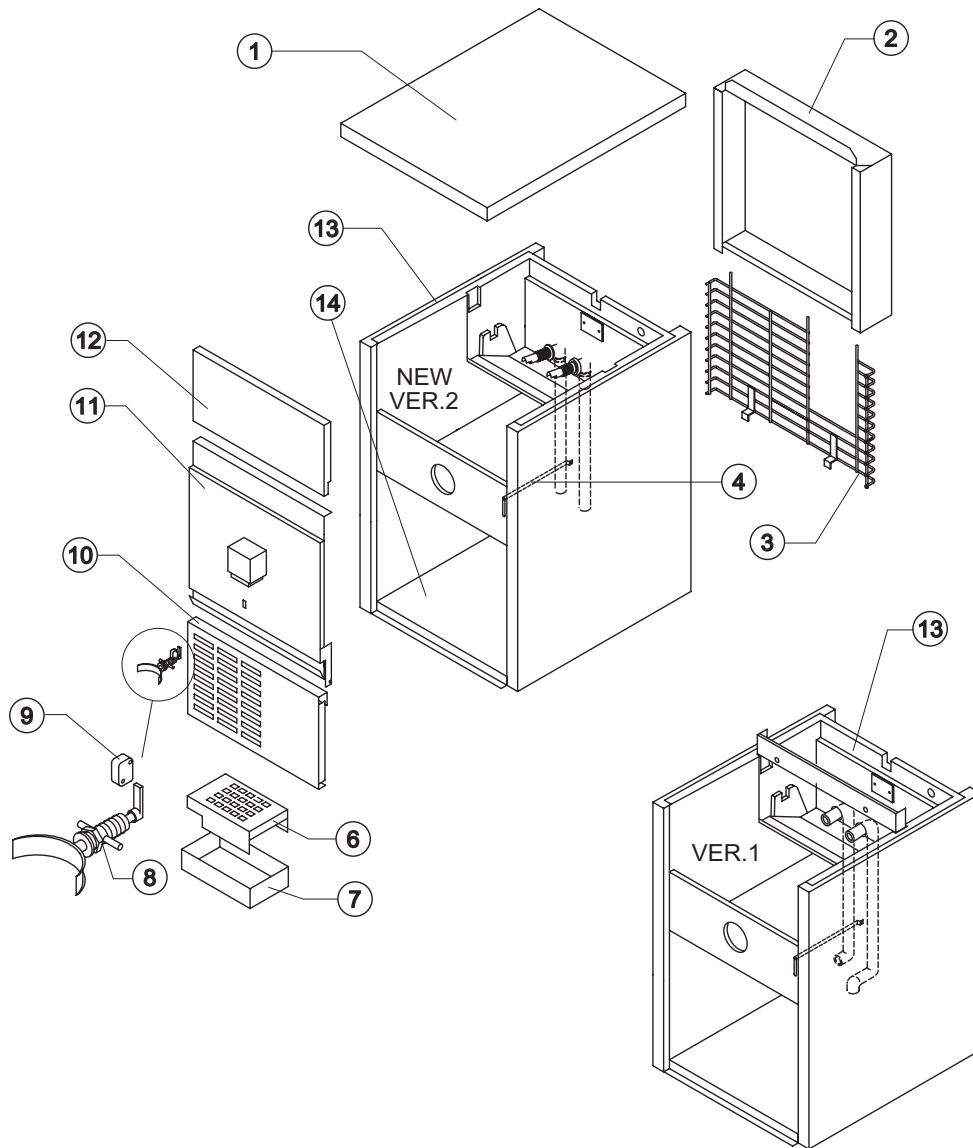
ELECTRIC PARTS

Rev. 7 - 19/05/2009



DSS 42

SHELL ASSY

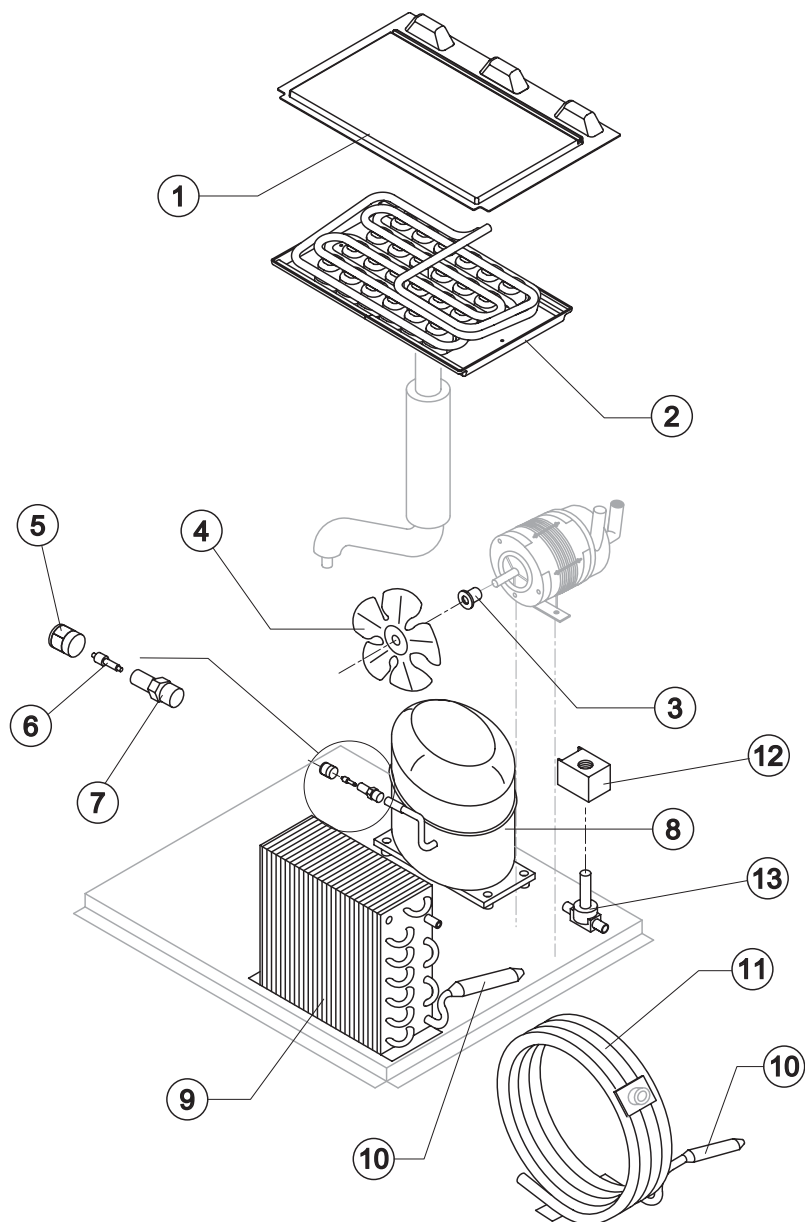


Rev. 7 - 19/05/2009

Ref.	Spare Description	Code	
1	Top Assembly	C22342	
2	Rear Panel Assembly	C21198	
3	Rear Grid	D12047	
4	Bulbe-holder Pipe	20522	
6	Glass Support	22350	
7	Drip Tray	22349	
8	Ice Dispenser Push Button Assembly	C26544	
9	Microswitch	23055	
10	Front Grid Panel	22343	
11	Panel with Distributor	D22338	
12	Upper Front Panel Assembly	C22347B	
13	Foamed Cabinet Assy	See Table	-
14	Base Plate	Current Version	21279
14	Base Plate	Till s/n. 141256	21013

Ref. 13 - Foamed Cabinet Assy

Code	Condensation	Note
RC11051A	Air	Version 2
RC11051W	Water	Version 2
C11051/E		Version 1



Common Parts

Ref.	Spare Description	Code
1	Evaporator Cover Panel	Current Version 10449
1	Evaporator Cover Panel	Till s/n. 224685 10023
2	Evaporator	D10417
3	Fan Fixing Hub	10014
4	Sucking Fan	10213
5	Vacuum-Charge Valve Plug	14006
6	Vacuum-Charge Valve Device	14005
7	Vacuum-Charge Valve Body	14007
8	Compressor	See Table -
10	Molecular Drier	14009
12	Hot Gas Valve Coil	See Table -
13	Hot Gas Valve Body	20410

Parts for Air-Cooled Version Only

Ref.	Spare Description	Code
9	Air Condenser	20019

Parts for Water-Cooled Version Only

Ref.	Spare Description	Code
11	Water Condenser	14014

Ref. 8 - Compressor

Tension	Codice
T11	23437
T12	23495A
T13	23678

Ref. 12 - Hot Gas Valve Coil

Tension	Codice
T11	23091
T12	23091
T13	23256



Ref. 2 - For ice makers made in version 1 ask, beside the Evaporator, also the Evaporator Support.



DSS 42

HYDRAULIC CIRCUIT

Common Parts

Ref.	Spare Description	Code
1	Ice Cubes Slide	D12038
3	Panel with Flags	Till s/n. 380443 C22035
4	Sprayers Bar Assembly	C20189
5	Sprayer	D20002
6	Sprayers Bar Plug	10012
7	Overflow Cap	10305
8	Overflow Pipe	10133
9	OR Gasket for Overflow Pipe	20233
10	Inner Basin	10253
11	Slide Keep Plate	10009
12	Sprayers Feeding Pipe	13005
13	Pump Suction Filter	20005
14	Overflow Pipe	Current Version 13108
14	Overflow Pipe	Till s/n. 64085 13030
15	Water Outlet Nipple	10472
16	Silicone Gasket	13006
17	Connection Bush for Ice Cubes Conveyor Screw	20280
18	Ice Cubes Conveyor Screw	20281
19	Cubes Holding Plate	22402
20	Semirigid Polyethylene Gasket	13007
21	Bin Discharge Nut	10096
23	Fittings Locking Ring	Version 2 10405
24	Pump Suction/Delivery Pipes	Version 2 13140
25	Fitting of the Pump Suction/Delivery Pipes	Version 2 10404
26	Gasket for Pump Suction/Delivery Pipes	Version 2 13143
27	Pump Suction Pipe	Version 1 13016
28	Pump Delivery Pipe	Version 1 13015
29	Fixing Screw	Till s/n. 380443 20009
30	Flags ABS Support	Current Version 10526
31	Rod with Flags	Current Version C10534

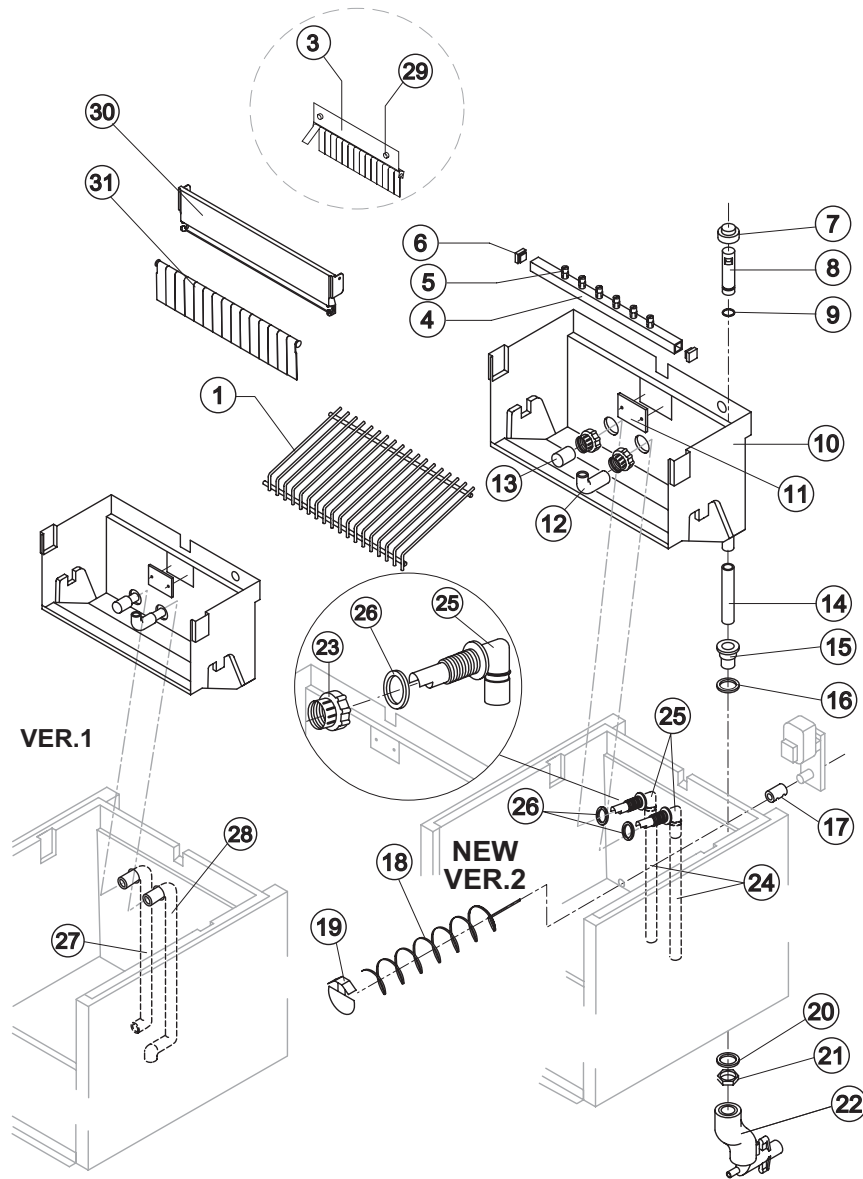
Parts for Air Cooled Version Only

Ref.	Spare Description	Code
22	Discharges Manifold	C10006

Parts for Water Cooled Version Only

Ref.	Spare Description	Code
22	Discharges Manifold	C26452

Rev. 7 - 19/05/2009

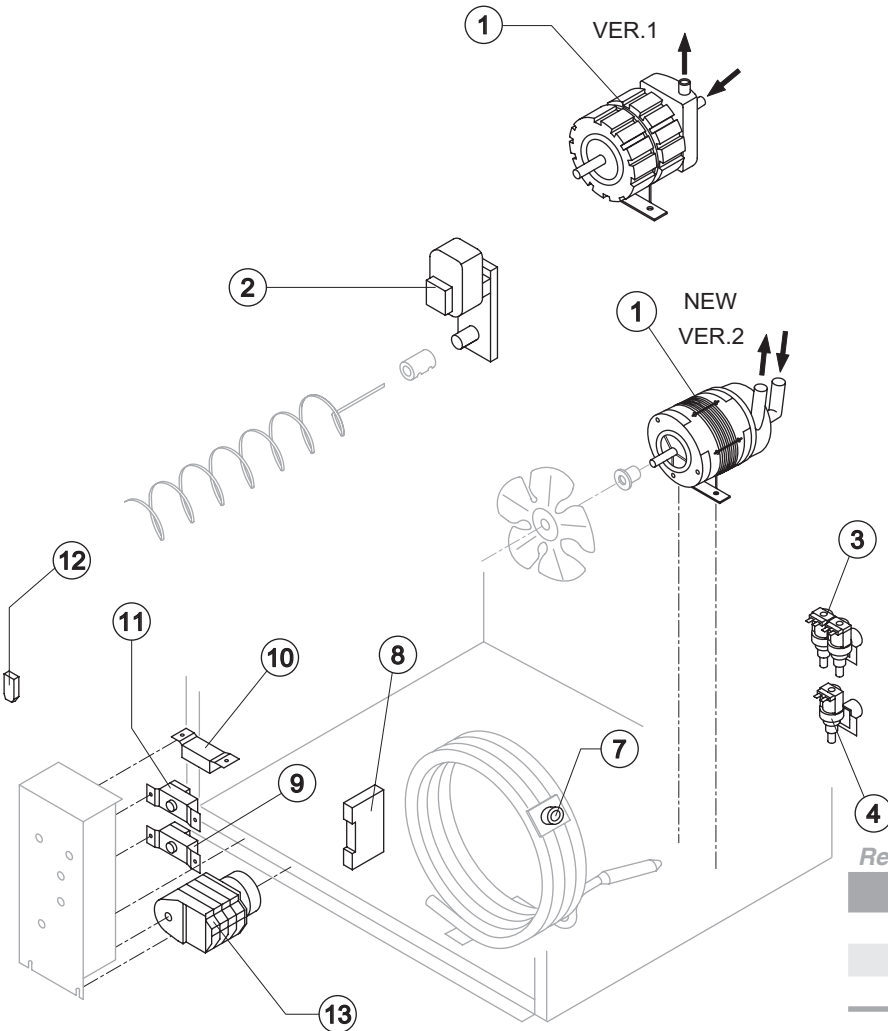




DSS 42

ELECTRIC PARTS

Rev. 7 - 19/05/2009



Common Parts

Ref.	Spare Description	Code
1	Pump	See Table -
2	Gearmotor	See Table -
8	Electronic Timer	23560
9	Evaporator Thermostat	R23591
11	Bin Thermostat	R23005
13	Timer	See Table -

Parts for Air-Cooled Version Only

Ref.	Spare Description	Code
4	1 Way- Water Inlet Valve	See Table -

Parts for Water-Cooled Version Only

Ref.	Spare Description	Code
3	2 Ways- Water Inlet Valve	See Table -
7	Safety Thermostat	C23114
10	Condenser Pressure Switch	23175
12	Anti Radio Interference Filter	Only 220V 50 Hz C23457

Ref. 1 - Pump

Tension	Version 1	Version 2
T11	23002	23377
T12	23002	23377
T13	23264	23663

Ref. 2 - Gearmotor

Tension	Code
T11	23310
T12	23310
T13	23614

Ref. 3 - 2 Ways- Water Inlet Valve

Tension	Code
T11	23010
T12	23010
T13	23261

Ref. 4 - 1 Way- Water Inlet Valve

Tension	Code
T11	23001
T12	23001
T13	23260

Ref. 13 - Timer

Tension	Code
T11	23247
T12	23247
T13	23258