

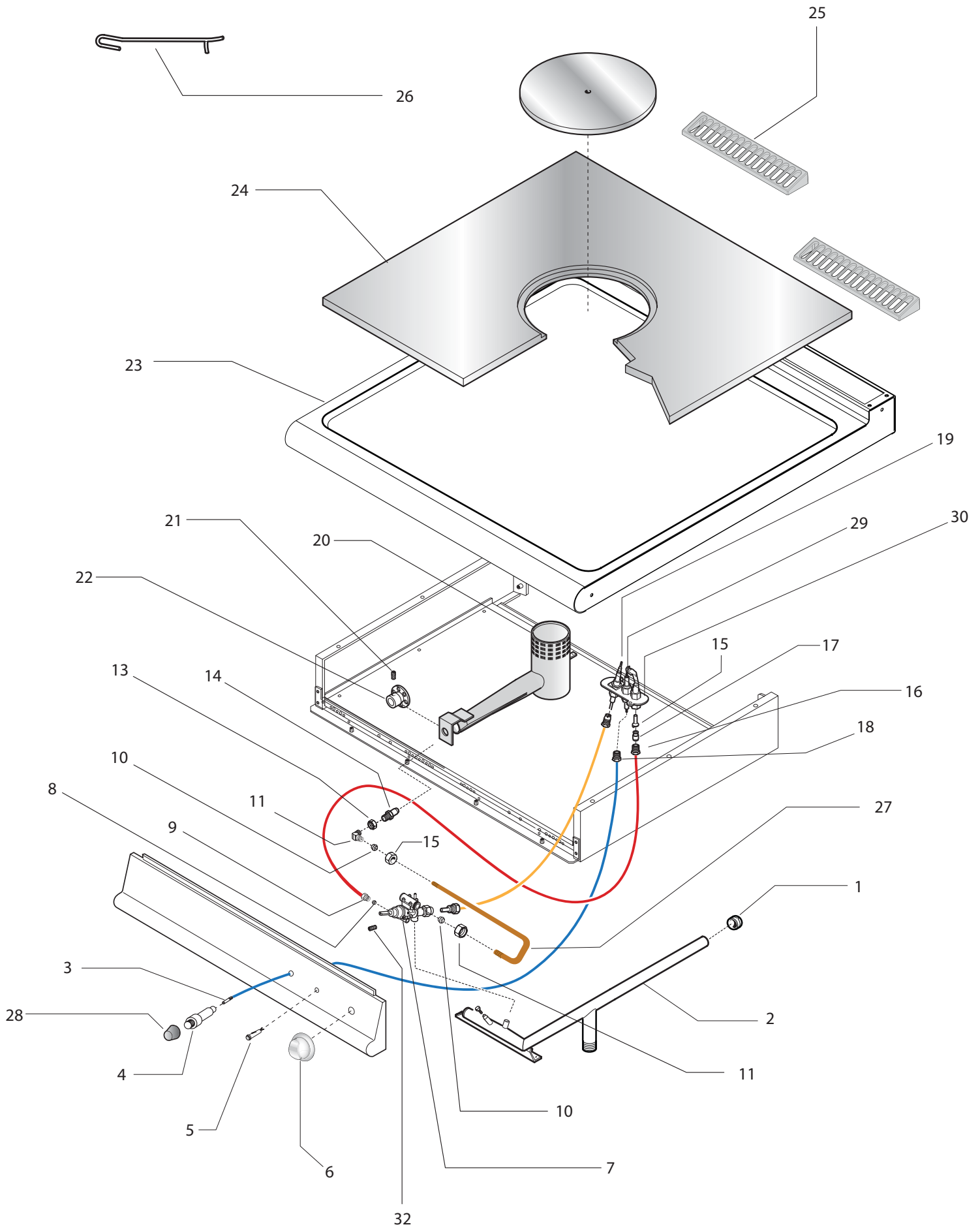


Thermische Geräte Serie 900
Gas- Glühplattenherd
Artikel-Nr. 141021 (90TPF/GE800)

Explosionszeichnung / Ersatzteile

Bitte bei Ersatzteilbestellung immer Artikelnummer und Seriennummer mit angeben!

90TPF/GE800



Series 900

Solid Top Range 90TPF/GE800

Table_B

POS.	CODE	PIECES	DESCRIPTION	DATA	C
1	CR0585540	1	PLUG		
2	CR0903470	1	GAS RAMP		
3	MA1888300	1	CABLE STARTING PIEZO		C
4	BN6A041105	1	PIEZO		C
5	MA1033600	1	BURNER LIGHT		
6	CR0937820	1	KNOB		C
7	MA1888600	1	GAS VALVE		C
8	MA673600	1	GAS VALVE-PILOT BICONE		
9	MA673500	1	GAS VALVE-PILOT NUT		
10	MA673300	2	BICONE		
11	MA673100	2	NUT		
12	MACM021700	1	NOZZLE SEAT 90'		
13	MA1033700200	1	NUT FOR BURNER		
14	TABLE B	1	NOZZLE FOR BURNER		
15	TABLE B	1	NOZZLE FOR PILOT		
16	MA673500	1	NUT FOR PILOT		
17	MA673600	1	BICONE FOR PILOT		
18	MA15780299	1	NIPPLE FOR CANDLE		
19	MACM029100	1	THERMOCPY		C
20	SI0100294	1	BURNER		
21	MACM040400	1	BY PASS		
22	MACM020409	1	AREATOR		
23	BN826133981	1	PLATE		
24	BN826901070	1	HOT PLATE		
25	CR0901240	2	EXHAUSTING GRID		
26	BN6A032500	1	LIFTER		
27	CR0903481	1	BURNER- GAS VALVE DUCT		
28	BN822160540	1	COVER FOR PIEZO		
29	MA1949900	1	CANDLE STARTER		C
30	MACM029000	1	TARGET PILOT		
31	BN822420041	1	HOT PLATE DISC		C
32	TABLE B	1	TABLE B		

C >>> Recommended exchange

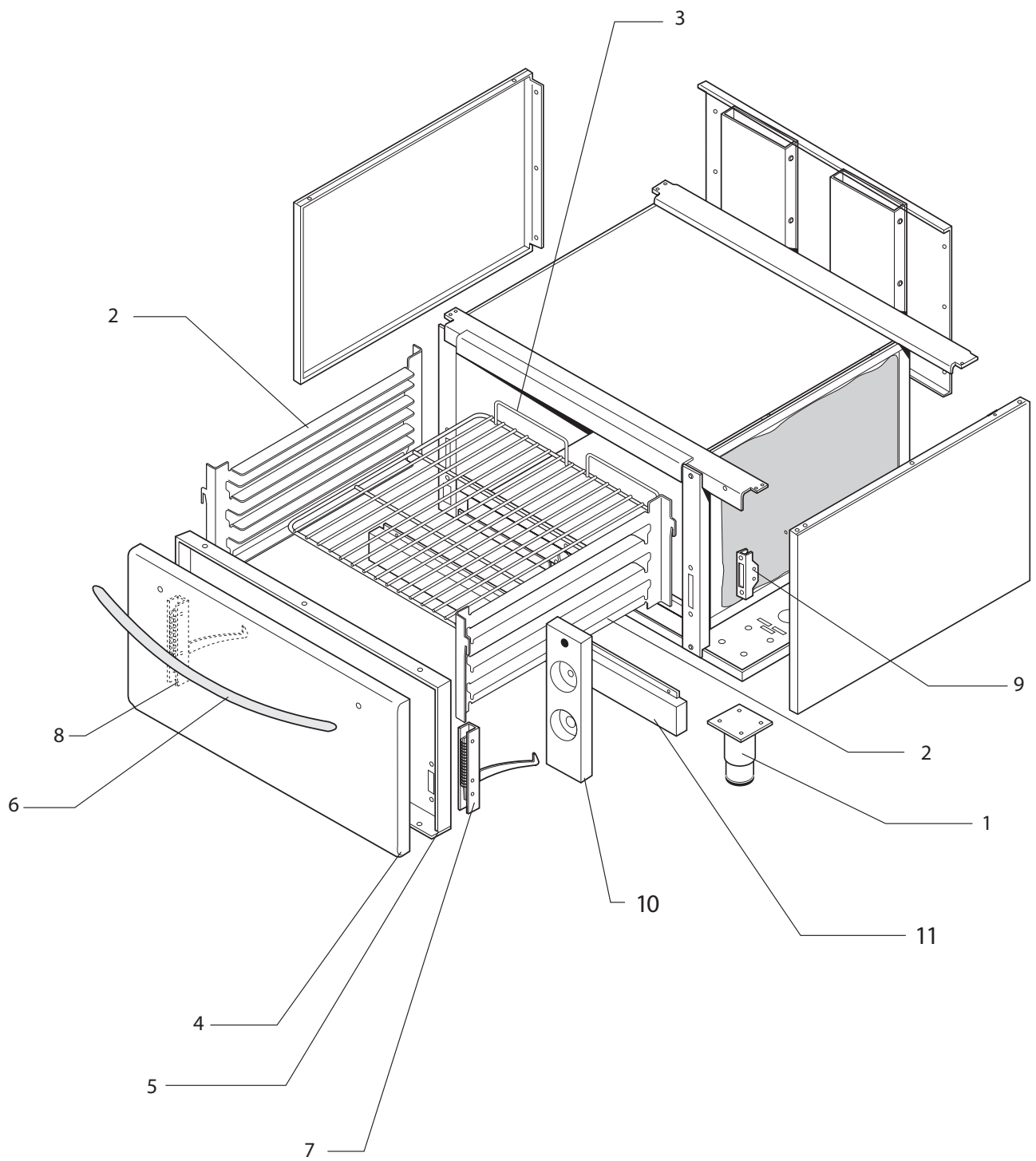
Series 900

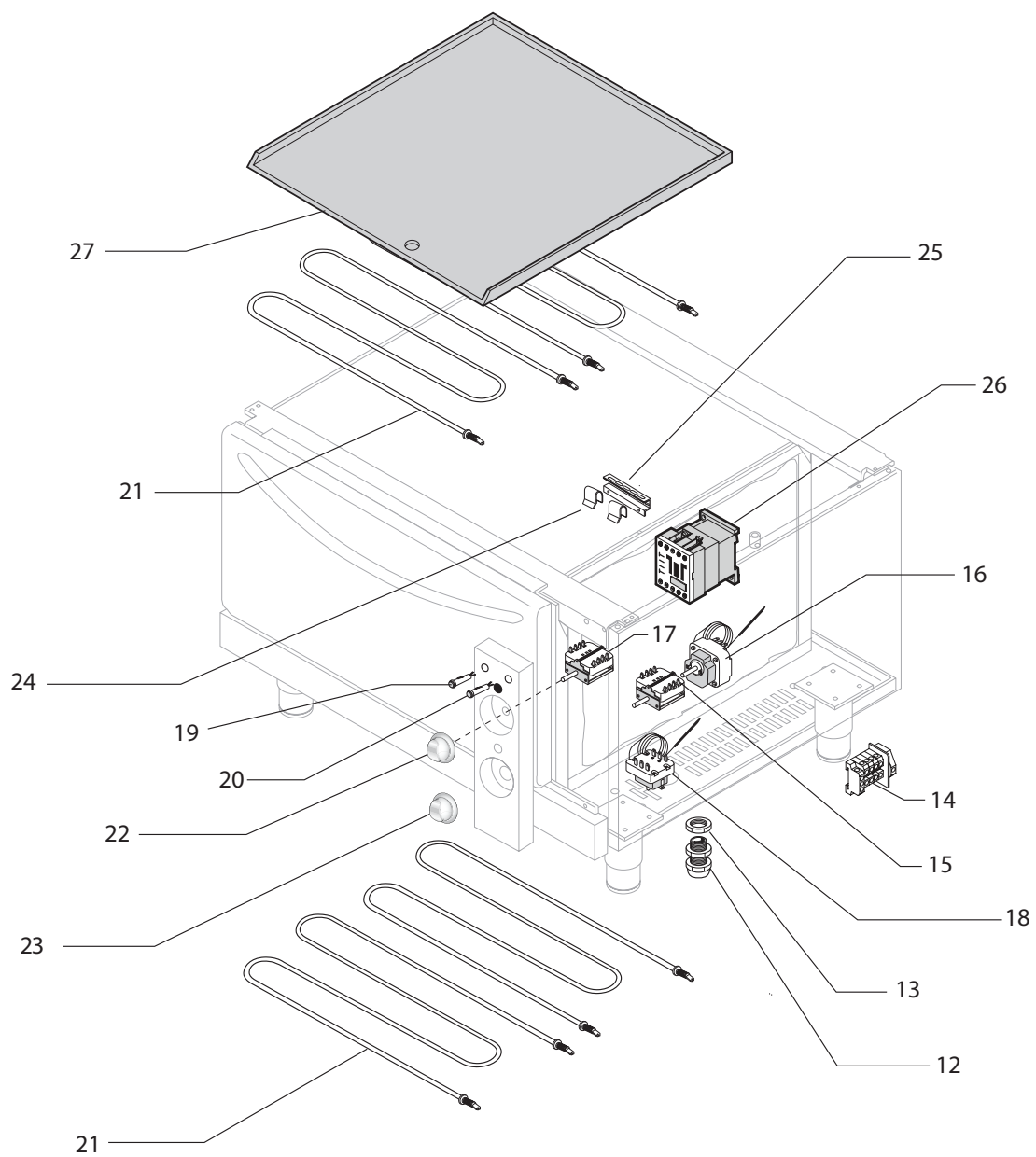
Cucine a gas

Table_B

POS	COD	QUANT	DIAM	GAS
14		1	ø 265	+
14	MA631000	1	ø 280	◻ ▲
14	MA5152900	1	ø 310	▼ ◼
14	MA707200	1	ø 190	○
14		1	ø 600	⊙
14		1	ø 600	⊙
14	MA1631300	1	ø 165	•
15	MA1887800	1	ø 27	▼ ▲ + ◼
15	MA1888000	1	ø 14	○ ◻ •
32	BN822450350	1	ø 180	◻ ▲ ▼ + ◼
32	CR0683130	1	ø 135	• ○ ◻

ID GAS | • G30/50 ◻ G30÷31/37 ○ G30/28÷37
◻ G20/20 ▲ G25/25 ▼ G25/20 ◼ G25.1/25 † G20/25
⊙ G110 8mbar ⊙ G120 8mbar





Series 900

Electric Oven

Table_A

POS.	CODE	PIECES	DESCRIPTION	DATA	C
1	MA6086113	4	FOOT ASSEMBLY		
2	BN821200100	2	GRID SUPPORT		
3	MA2306800	1	GRID		
4	BN821390011	1	OVEN DOOR		
5	BN821510011	1	LATER SPACE		
6	BN86430030	1	OVENS' HANDLE		
7	DN6A035910	1	R.H. OVEN HINGE		
8	BN6A035920	1	L.H. OVEN HINGE		
9	MA1304500	2	ROLL HOLDER FOR HINGE		
10	BN2547720	1	VERTICAL PANEL		
11	BN821740030	1	LOW PANEL		
12	BN6A025550	1	CABLE RETAINER		
13	MA1037114500	1	LOCK NUT		
14	BN6A035030	1	CABURTO THERMINAL BOARD		
15	BN6A046001	1	SWITCH		C
16	BN826630123	1	THREEFASE THORMOSTATE		C
17	MA1309000	1	EGO SWITCH		C
18	BN826630130	1	SAFETY THERMOSTATE		C
19	CR0903610	1	GREEN SIGNAL LAMP 230V		C
20	CR0587500	1	ORANGE SIGNAL LAMP 230V		C
21	BN826620041	4	OVEN HEATING ELEMENT		C
22	CR0902800	1	THORMOSTATE REGULATOR FOR KNOB		C
23	CR0902810	1	ENERGY REGULATOR FOR KNOB		C
24	BN821550010	2	CLIP FIXING BULB		
25	BN2541120	1	BULB PROTECTION		
26	BN6A047031	1	MICROSWITCH 20A		C
27	BN822420010	1	OVEN BOTTOM		

C >>> Recommended exchange