

DISHWASHER

ELECTROMECHANICAL SWITCHES
LOWER WASHING
LOWER AND UPPER WASHING

TYPE: 3U

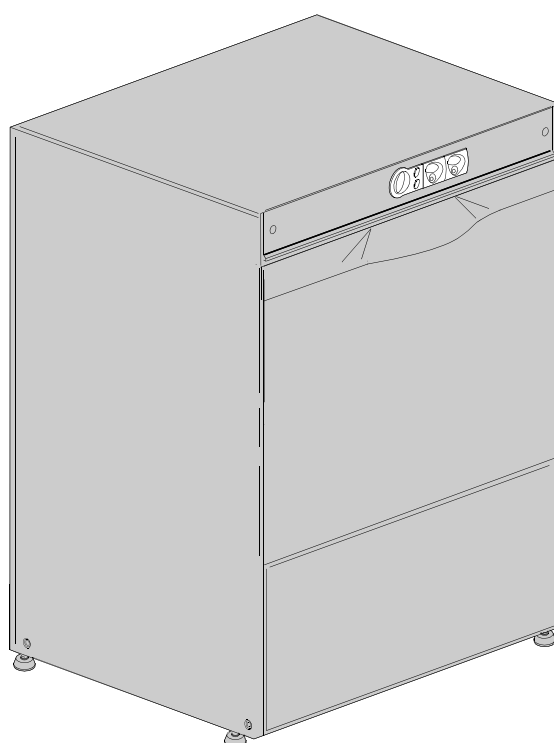
Accessories

DVGW

COLD RINSE

DETERGENT DISPENSER

Spare Parts Manual



INFORMAZIONI GENERALI

Questo catalogo serve per richiedere con esattezza le parti di ricambio

Nelle ordinazioni indicare:

1) il numero dei codici dei particolari seguito dalla descrizione e la quantità desiderata;

2) Il codice alfa-numerico presente nella seconda colonna della tabella ;

I disegni delle parti di ricambio sono solo indicativi e non rappresentano il pezzo in oggetto.

I dati contenuti in questo catalogo sono indicativi e possono essere soggetti a modifiche senza impegno di preavviso.

ALLGEMEINE INFORMATIONEN

Dieser Ersatzteilkatalog dient zur genauen Angabe der Teile bei Ersatzteilbestellungen.

Bei Ersatzbestellung ist folgendes anzugeben:

1) Die Bestellnummer der Ersatzteile mit der entsprechenden Beschreibung genaue Menge;

2) Der alpha-numerischer Code auf der zweiten Reihe in dein Spalte;

Die Zeichnungen der Ersatzteile sind nur als Hinweise gedacht und stellen nicht das betroffene Teil dar.

Bei den im Katalog angeführten Daten handelt es sich um Anhaltsdaten, die jederzeit, ohne Vorankündigung, geändert werden können.

GENERAL INFORMATION

The present spare parts order exactly the right spare parts

When ordering specify:

1) the part's code number followed by its description and quantity needed;

2) The alpha-numeric code is in the second column in the chart;

Spare parts drawings are general and do not represent the part.

The contents of this catalogue are general and can undergo changes without prior notice.

INFORMACIONES GENERALES

El presente catálogo sirve para pedir con exactitud las partes de repuesto

En los pedidos se debe indicar:

1) el número de código de la parte y a continuación la descripción cantidad deseada;

2) El código alfanumerico presente en la signada columna de la tabla;

Los diseños de las partes de recambio son solo indicativos y no representan la pieza en cuestión.

Los datos contenidos en el presente catálogo son indicativos y pueden modificarse sin aviso previo.

INFORMATIONS GENERALES

Ce catalogue permet de commander correctement les pièces détachées

Les commandes doivent être passées en indiquant:

1) le numero de code des pièces détachées suivi de leur description quantité désirée;

2) le code alphanumérique dans la deuxième colonne du tableau;

Les plans des pièces détachées sont fournis seulement à titre indicatif et ne représentent pas la pièce concernée.

Les données de ce catalogue sont citées seulement à titre indicatif et peuvent être l'objet de modifications sans avis préalable.

ESEMPIO
EXAMPLE
EXEMPLE
BEISPIEL

Rif.	Codici
MODULE:Particolari	
10505	540903
10510	540908
10515	15065/A
10520	540086
10525	540028

Note

Tutte le informazioni riportate si intendono aggiornate alla data di stampa. Il Produttore si riserva il diritto di apportare qualsiasi modifica richiesta dallo sviluppo evolutivo dei suddetti prodotti.

Per la sicurezza, la garanzia, l'affidabilità ed il valore della lavastoviglie usa solo ricambi originali. **Per alcuni codici, sono richieste quantità minime d'ordine.**

Attenzione

Questo libretto è parte integrante della lavastoviglie e, in caso di passaggio di proprietà, deve essere consegnato al nuovo acquirente.

Remarque

Toutes les informations contenues dans ce manuel s'entendent mises à jour à la date d'impression. En raison du développement constant de ses produits, usine se réserve le droit d'apporter à tout instant les modifications qu'elle jugera utiles.

Pour la sécurité, la garantie, la fiabilité et la valeur de votre lave-vaisselles n'utilisez que des pièces de rechange d'origine. **Pour quelque référence on demande un minimum de pièces par commande**

Attention

Ce manuel doit être considéré comme partie intégrante de la lave-vaisselles, en cas de transfert de propriété, doit toujours être remis au nouveau propriétaire.

Note

The information contained herein is valid at the time of going to print. The Company reserves the right to make any changes required by the future development of the above-mentioned products.

For your safety, as well as to preserve the warranty reliability and worth of your dishwashers, use original spare parts only. **For some codes a minimum quantity for order is required.**

Warning

This manual forms an integral part of the dishwashers and - if a transfer of title occurs - must always be handed over to the new owner.

Hinweis

Die Der Hersteller behält sich das Recht vor, jegliche, durch eine Weiterentwicklung der genannten Produkte bedingte Änderungen vornehmen zu können.

Verwenden Sie für Ihre Sicherheit, die Garantie, die Zuverlässigkeit und den Wert Ihrer machine originale Ersatzteile. **Für bestimmte Code nummer werden mindesten bestellungen verlangt.**

Achtung

Diese Betriebsanleitung ist Bestandteil des machine und muss bei seinem Weiterverkauf dem neuen Besitzer ausgehändigt werden.



Code 999XYYYY **CL/Part**

Model DESCRIPTION

S/N 04012345 **Type**

400VAC3N 50HZ 8A
3500W 500W

 16A

IPX3

Pressione Dinamica alimentazione idrica **200-500**
 Pression dynamique arrivee d'eau
 Dynamic pressure water supply
 Dymanischer Druck assereinlauf

Pressione dinamica vapore saturo
 Pression dynamique vapeur satuee
 Dymanischer Druck gesattigter Dampf
 Pression Dinamica Vapor Saturado

TECHICAL SPECIFICATION

MADE IN ITALY

Temperatura massima acqua in ingresso **60°C**
 Temperature max eau a l'entre
 Maximale Temperatur Wasseranschlu
 Maximum Water temperature in-feeding

Model 

S/N 

CODE 999 XX YYYY

FAMIGLIA PRODOTTO
 FAMILY PRODUCT
 FAMILLE DU PRODUIT
 FAMILIA PRODUCTO
 FAMILIE DES PRODUKTES

CODICE MODELLO
 CODE MODEL
 CODE ARTICLE
 CODIGO MODELO
 KODE VON MODELL

S/N 04 012345

ANNO
 YEAR
 ANNÉE
 AN^o
 JAHR

NUMERO DI SERIE
 SERIAL NUMBER
 NUMÉRO DI SÉRIE
 NUMERO DI SERIE
 SERIENNUMMER

1. Spare parts

General body parts.....	7
Lockup system	9
Control panel and switches.....	11
Electric control components.....	13
Solenoid valve group	15
DVGW	17
Rinse aid dispenser group.....	19
Rinse aid dispenser group.....	21
Rinse aid dispenser group.....	23
Boiler group	25
4 ways connection	27
Wash pump	29
Wash pump	31
Dosing detergent group.....	33
Pressure switch group with air trap ...	35
Turret group with rotating arms	37

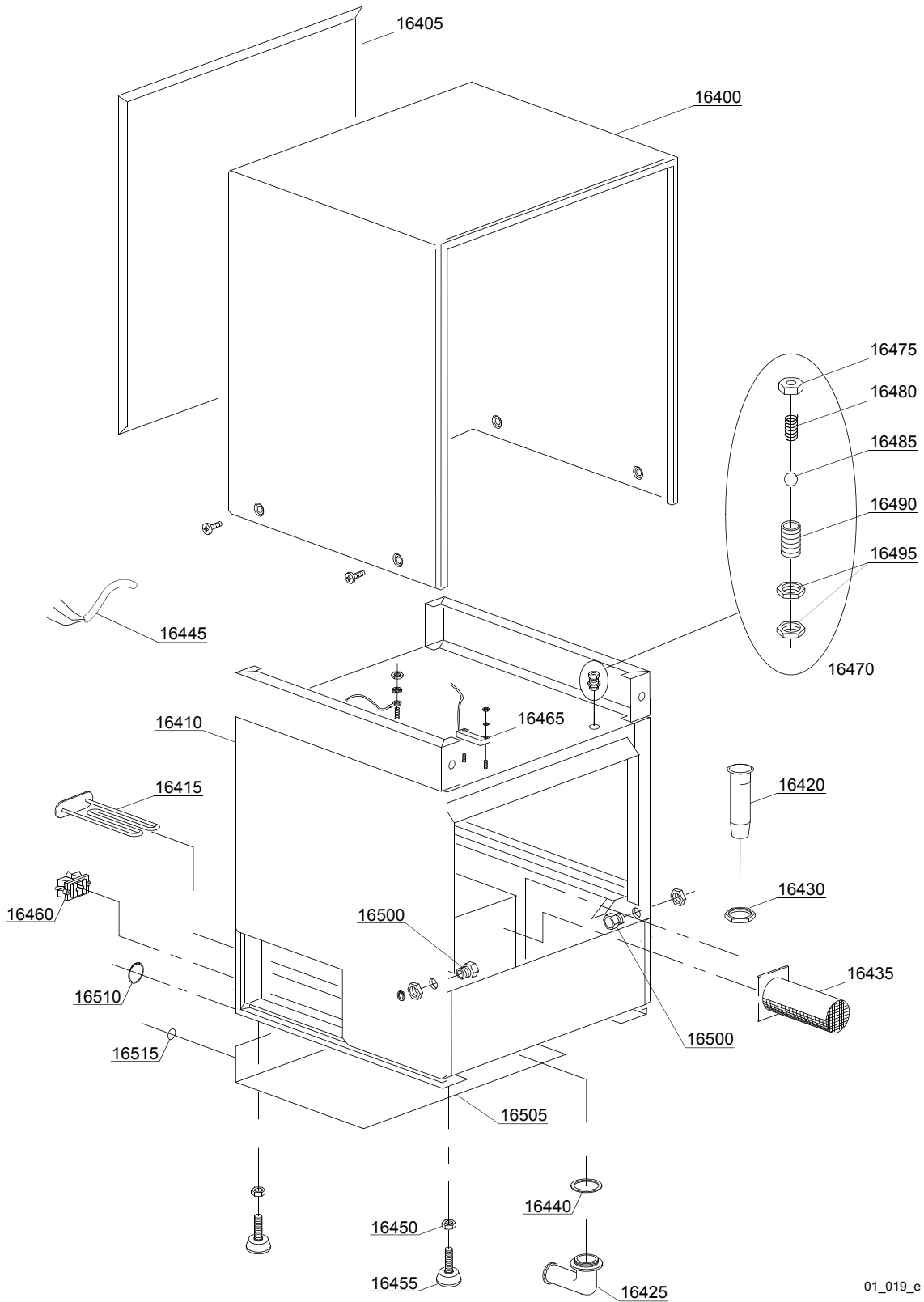
Turret group with rotating arms 41

1.1 Voltage codes

Volt	Voltage code
A	3/N/PE~380-400V 50-60Hz
D	3/PE~200-210V 50-60Hz
F	2/PE~220-240V 50-60Hz
G	3/N/PE~415V 50-60Hz
H	3/PE~220-230V 50-60Hz
K	3/PE~380-400V 50-60Hz
L	3/PE~415V 50-60Hz
M	3/PE~440V 60Hz
P	1/N/PE~220-230V 50-60Hz
R	2/PE~220-240V 50-60Hz
U	1/N/PE~240V 50-60Hz
V	3/PE~240V 50-60Hz
W	1/N/PE~100-110V 50-60Hz

1.2 Product codes

Product code	Full name
Model codes	
em	ELECTROMECHANICAL SWITCHES
lw	LOWER WASHING
uw	LOWER AND UPPER WASHING
Type codes	
3U	3U
Accessory codes	
dvgw	DVGW
cr	COLD RINSE
dd	DETERGENT DISPENSER



01_019_e

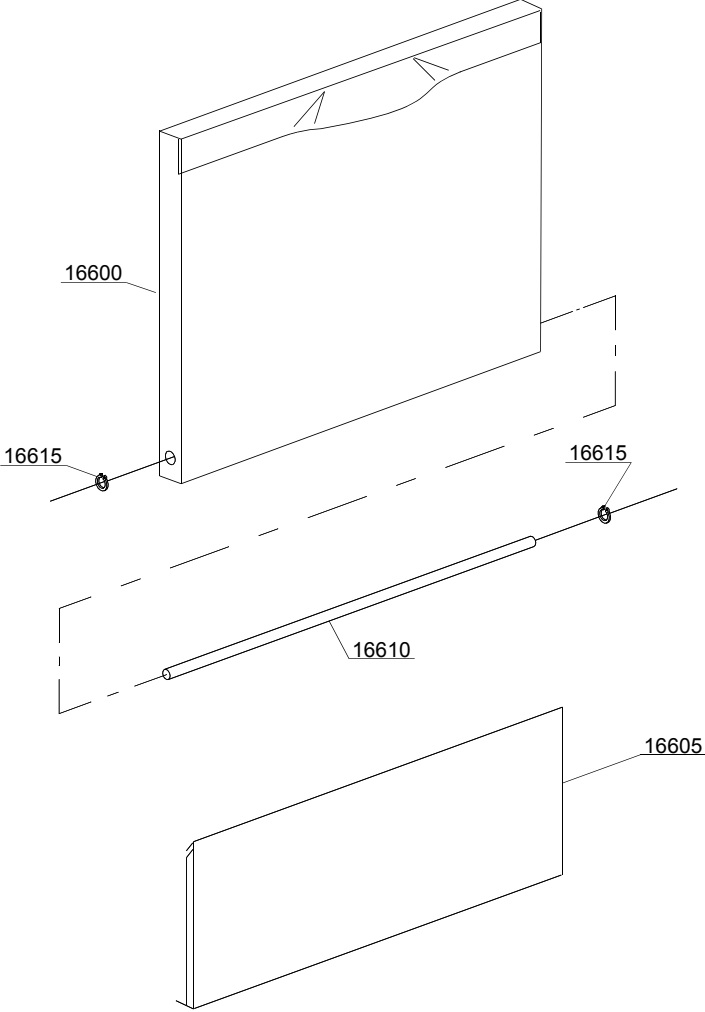
Spare parts

ID	P-code	SN from	SN to	Mod.	Acces.	Volt	Description
Module:General body parts							
16400	17953		-				Cover
16405	17213		-				Back panel
16410	17951		-				Body
16415	17201		-				1,8/1,96KW 230/240V heating element
16420	15126		-				Overflow pipe
16425	10701		-				Drain elbow
16425	15063		-				Stainless steel drain elbow
16430	11701/A		-				Stainless steel nut
16435	10914/A		-				Pump suction filter
16440	13305		-				44x32x3 O-ring (minimum 5 pieces)
16445	10713		-				3x2,5x2500 cable
16450	11711		-				M10 zinc plated nut (minimum 20 pieces)
16455	10786		-				M10x25 Ø40 black foot (minimum 4 pieces)
16460	15065/A		-				Cable-fastener with screw
16465	10778		-				Reed magnet
16470	10775		-				Door jack assembly
16475	10802		-				Door jack locknut (minimum 3 pieces)
16480	10777		-				Spring for door hook
16485	10776		-				Sphere
16490	10803		-				Door jack body
16495	10801		-				Door jack nut (minimum 5 pieces)
16500	11835		-				Brass bush with nut
16505	17958		-				End piece protection
16510	13317		-				Ø40mm lead through rubber (minimum 2 pieces)
16515	13323		-				Ø13mm lead through rubber (minimum 2 pieces)

em=ELECTROMECHANICAL SWITCHES, lw=LOWER WASHING, uw=LOWER AND UPPER WASHING
3U=3U

dvgw=DVGW, cr=COLD RINSE, dd=DETERGENT DISPENSER

A=3/N/PE~380-400V 50-60Hz, D=3/PE~200-210V 50-60Hz, F=2/PE~220-240V 50-60Hz, G=3/N/PE~415V 50-60Hz,
H=3/PE~220-230V 50-60Hz, K=3/PE~380-400V 50-60Hz, L=3/PE~415V 50-60Hz, M=3/PE~440V 60Hz, P=1/N/PE~220-
230V 50-60Hz, R=2/PE~220-240V 50-60Hz, U=1/N/PE~240V 50-60Hz, V=3/PE~240V 50-60Hz, W=1/N/PE~100-110V
50-60Hz



02_117_e

Spare parts

ID	P-code	SN from	SN to	Mod.	Acces.	Volt	Description
Module: Lockup system							
16600	17957		-				Door with stainless steel handle
16605	17954		-				Lower door
16610	17210		-				Door rod
16615	11815		-				Ø8 stainless steel snap ring (minimum 5 pieces)

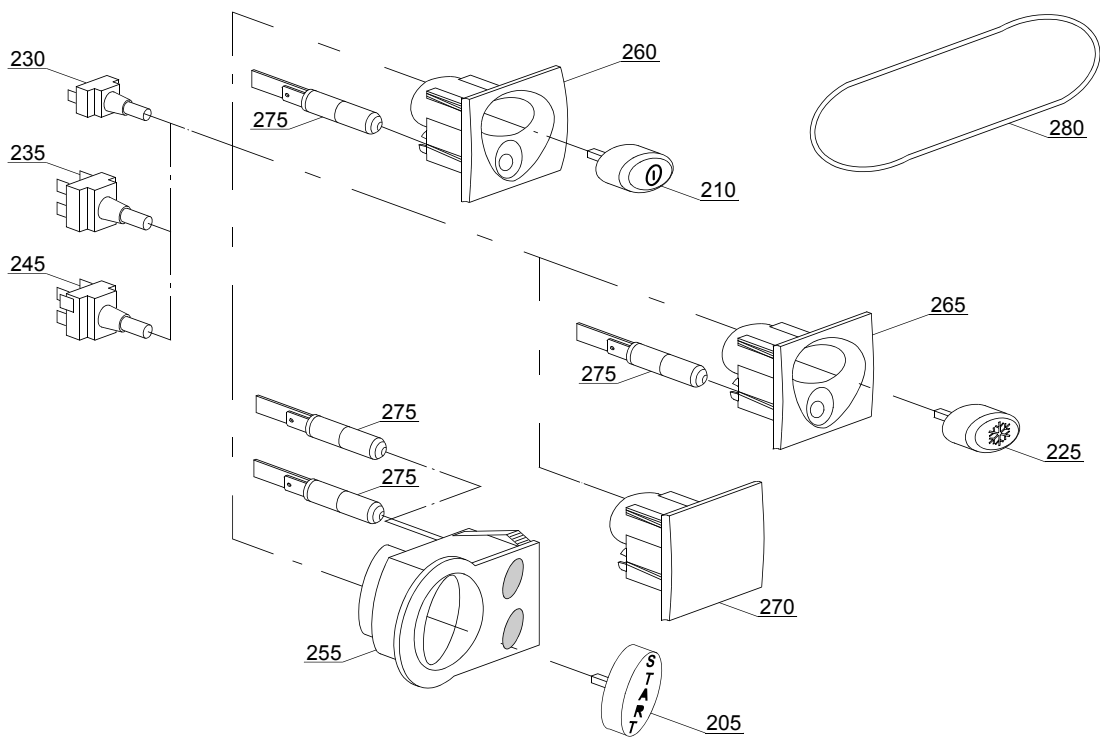
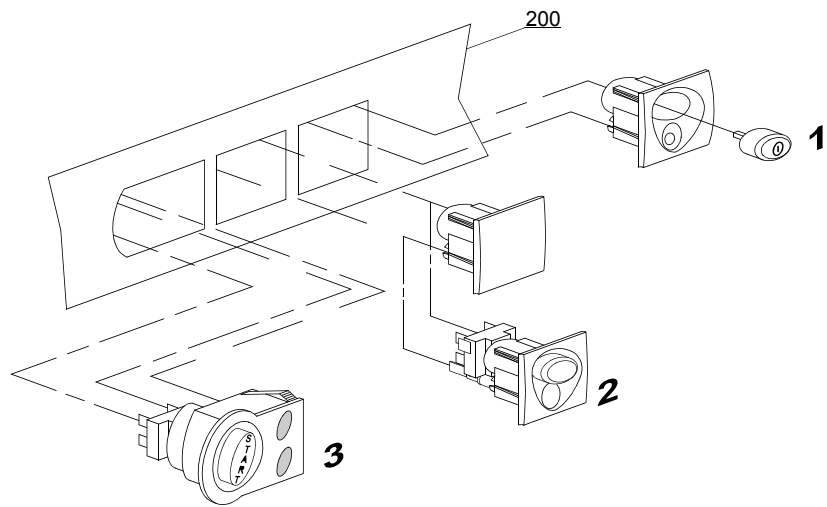
em=ELECTROMECHANICAL SWITCHES, lw=LOWER WASHING, uw=LOWER AND UPPER WASHING

3U=3U

dvgw=DVGW, cr=COLD RINSE, dd=DETERGENT DISPENSER

A=3/N/PE~380-400V 50-60Hz, D=3/PE~200-210V 50-60Hz, F=2/PE~220-240V 50-60Hz, G=3/N/PE~415V 50-60Hz, H=3/PE~220-230V 50-60Hz, K=3/PE~380-400V 50-60Hz, L=3/PE~415V 50-60Hz, M=3/PE~440V 60Hz, P=1/N/PE~220-230V 50-60Hz, R=2/PE~220-240V 50-60Hz, U=1/N/PE~240V 50-60Hz, V=3/PE~240V 50-60Hz, W=1/N/PE~100-110V 50-60Hz

03_009_e



Spare parts

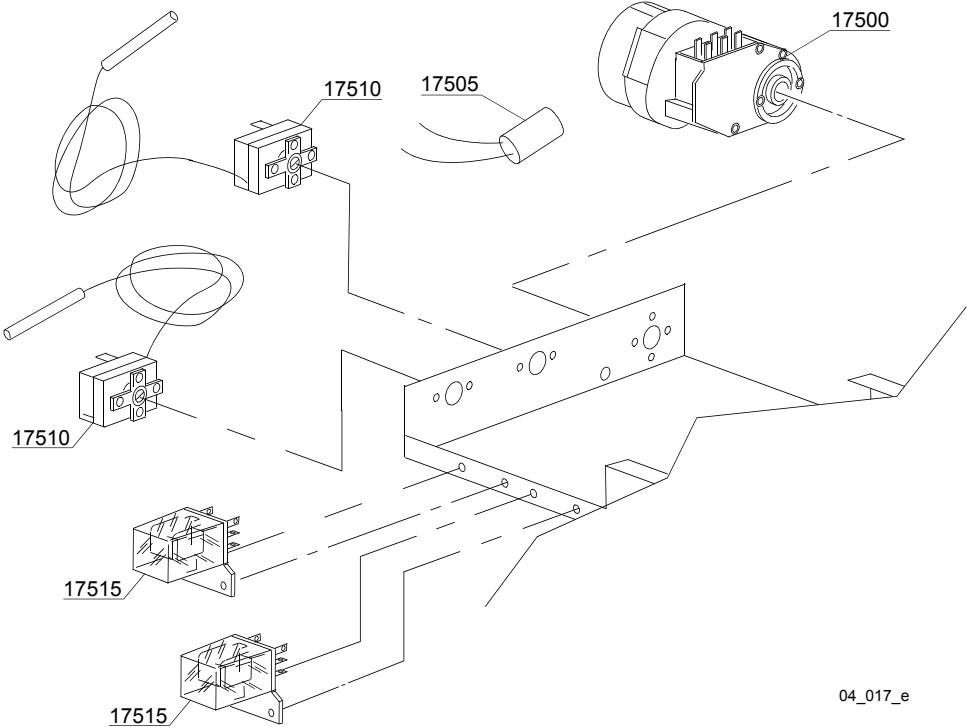
ID	P-code	SN from	SN to	Mod.	Acces.	Volt	Description
Module:Control panel and switches							
200	17955		-	em			Control panel
205	89347		-	em			Start push button
210	89340		-	em			ON-OFF push button
225	89344		-	em	cr		Hot/cold push button
230	15813		-	em			16A unipolar switch
235	15812		-	em			16A switch
235	15800		-	em			16A bipolar switch
245	15811		-	em			16A bipolar switch
245	15811/A		-	em			16A bipolar switch
255	89301		-	em			Start push button support
260	89304		-	em			Push button support
265	89302		-	em	cr		Push button support
270	89303		-	em			Closed support
275	15826		-	em			Pilot light
280	89331		-	em			OR O-ring (minimum 5 pieces)

em=ELECTROMECHANICAL SWITCHES, lw=LOWER WASHING, uw=LOWER AND UPPER WASHING

3U=3U

dvgw=DVGW, cr=COLD RINSE, dd=DETERGENT DISPENSER

A=3/N/PE~380-400V 50-60Hz, D=3/PE~200-210V 50-60Hz, F=2/PE~220-240V 50-60Hz, G=3/N/PE~415V 50-60Hz, H=3/PE~220-230V 50-60Hz, K=3/PE~380-400V 50-60Hz, L=3/PE~415V 50-60Hz, M=3/PE~440V 60Hz, P=1/N/PE~220-230V 50-60Hz, R=2/PE~220-240V 50-60Hz, U=1/N/PE~240V 50-60Hz, V=3/PE~240V 50-60Hz, W=1/N/PE~100-110V 50-60Hz



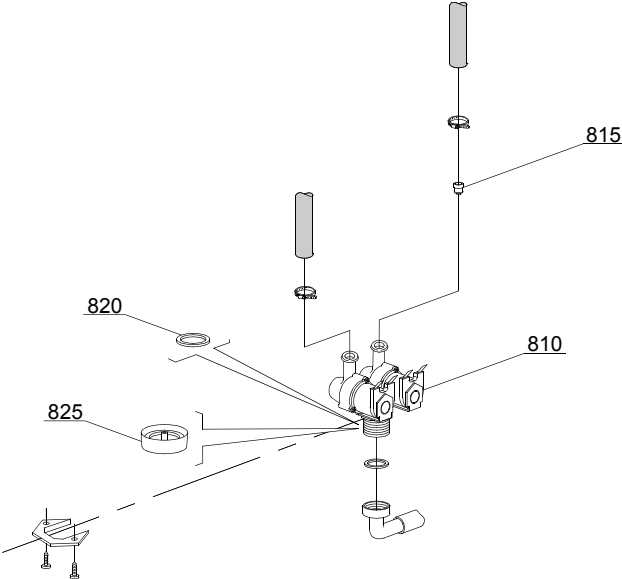
Spare parts

ID	P-code	SN from	SN to	Mod.	Acces.	Volt	Description
Module:Electric control components							
17500	10708/L		-			A	120" timer - 230Vac 50Hz
17500	10708/B		-				120" timer 220Vac 60Hz
17505	15146		-			A	Low noise filter
17510	10707/1		-			A	0-90°C thermostat
17515	16037		-			A	16A bipolar relay - 230Vac 50/60Hz

em=ELECTROMECHANICAL SWITCHES, lw=LOWER WASHING, uw=LOWER AND UPPER WASHING
3U=3U

dvgw=DVGW, cr=COLD RINSE, dd=DETERGENT DISPENSER

A=3/N/PE~380-400V 50-60Hz, D=3/PE~200-210V 50-60Hz, F=2/PE~220-240V 50-60Hz, G=3/N/PE~415V 50-60Hz,
H=3/PE~220-230V 50-60Hz, K=3/PE~380-400V 50-60Hz, L=3/PE~415V 50-60Hz, M=3/PE~440V 60Hz, P=1/N/PE~220-
230V 50-60Hz, R=2/PE~220-240V 50-60Hz, U=1/N/PE~240V 50-60Hz, V=3/PE~240V 50-60Hz, W=1/N/PE~100-110V
50-60Hz



05_003_e

Spare parts

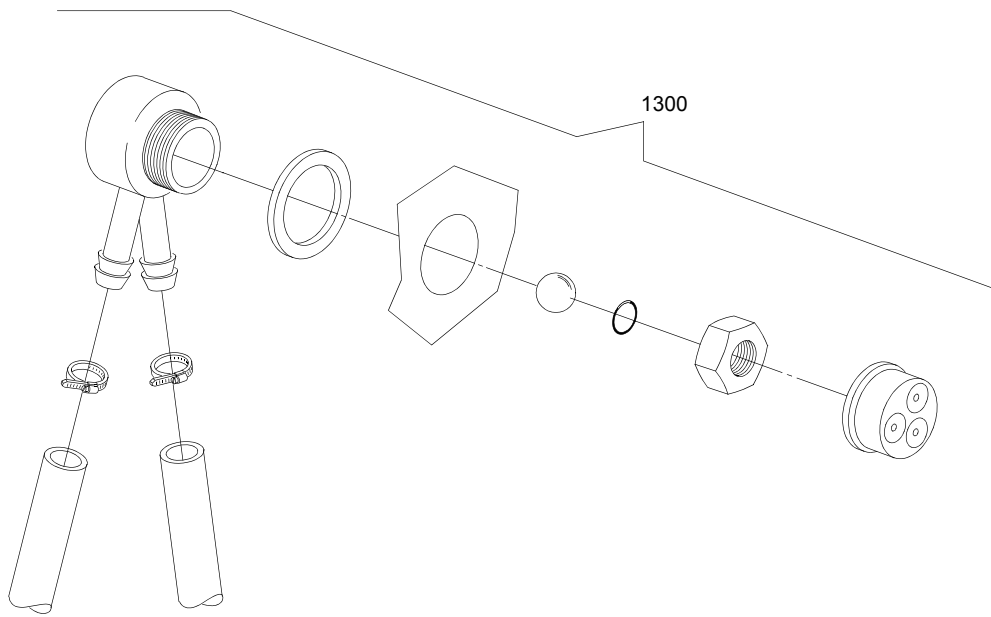
ID	P-code	SN from	SN to	Mod.	Acces.	Volt	Description
Module:Solenoid valve group							
810	15098		-	em	cr		Double solenoid valve - Ø10 - 220Vac

em=ELECTROMECHANICAL SWITCHES, lw=LOWER WASHING, uw=LOWER AND UPPER WASHING

3U=3U

dvgw=DVGW, cr=COLD RINSE, dd=DETERGENT DISPENSER

A=3/N/PE~380-400V 50-60Hz, D=3/PE~200-210V 50-60Hz, F=2/PE~220-240V 50-60Hz, G=3/N/PE~415V 50-60Hz, H=3/PE~220-230V 50-60Hz, K=3/PE~380-400V 50-60Hz, L=3/PE~415V 50-60Hz, M=3/PE~440V 60Hz, P=1/N/PE~220-230V 50-60Hz, R=2/PE~220-240V 50-60Hz, U=1/N/PE~240V 50-60Hz, V=3/PE~240V 50-60Hz, W=1/N/PE~100-110V 50-60Hz



08_005_e

Spare parts

ID	P-code	SN from	SN to	Mod.	Acces.	Volt	Description
Module:DVGW							
1300	999900006		-		dvgw		DVGW assembly

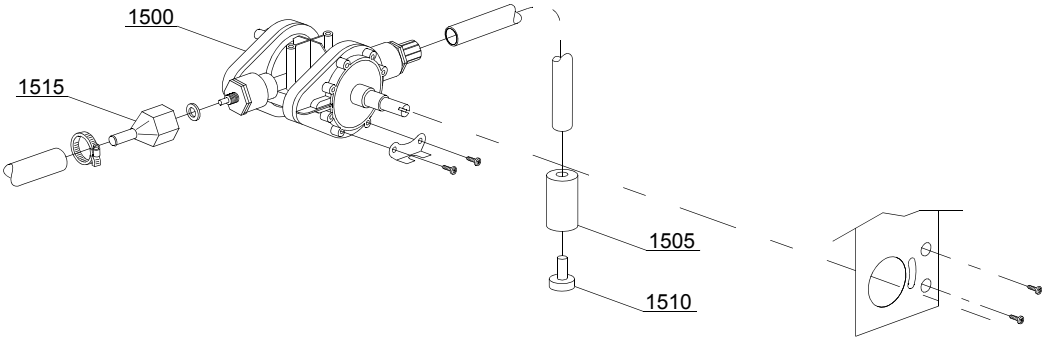
em=ELECTROMECHANICAL SWITCHES, lw=LOWER WASHING, uw=LOWER AND UPPER WASHING

3U=3U

dvgw=DVGW, cr=COLD RINSE, dd=DETERGENT DISPENSER

A=3/N/PE~380-400V 50-60Hz, D=3/PE~200-210V 50-60Hz, F=2/PE~220-240V 50-60Hz, G=3/N/PE~415V 50-60Hz, H=3/PE~220-230V 50-60Hz, K=3/PE~380-400V 50-60Hz, L=3/PE~415V 50-60Hz, M=3/PE~440V 60Hz, P=1/N/PE~220-230V 50-60Hz, R=2/PE~220-240V 50-60Hz, U=1/N/PE~240V 50-60Hz, V=3/PE~240V 50-60Hz, W=1/N/PE~100-110V 50-60Hz

10_002_e



Spare parts

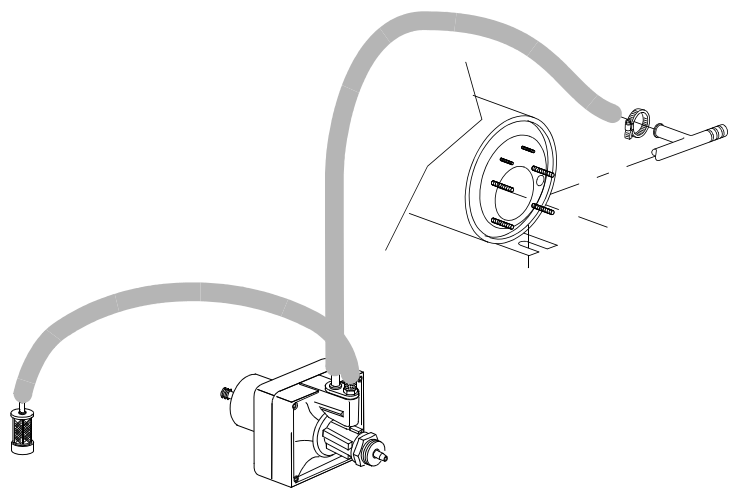
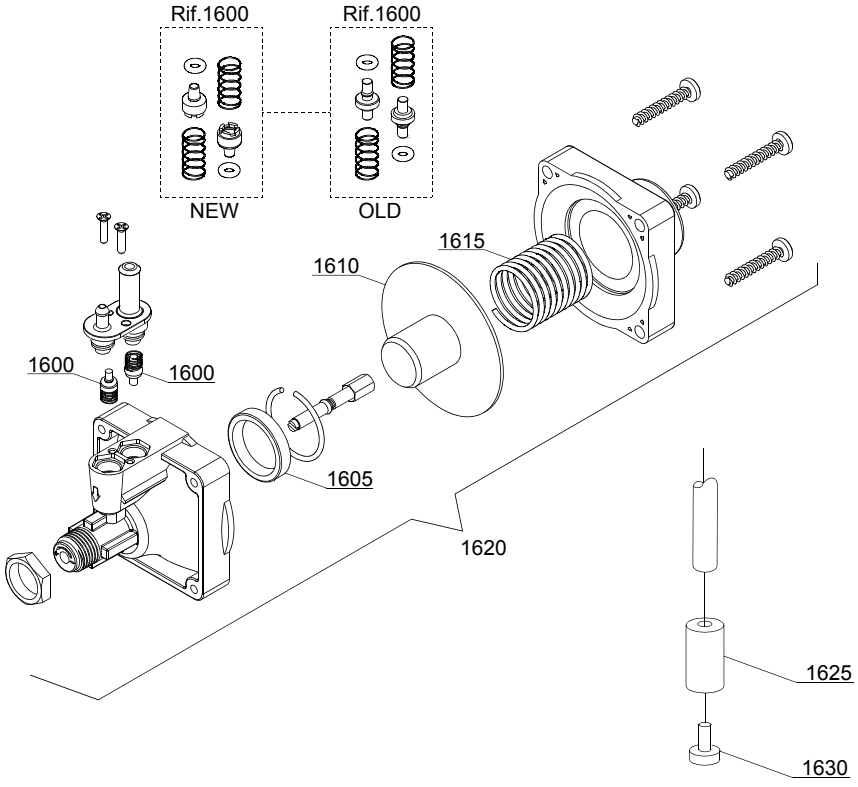
ID	P-code	SN from	SN to	Mod.	Acces.	Volt	Description
Module: Rinse aid dispenser group							
1500	10798		-				Rinse aid dispenser
1505	12525		-				Counter-weight
1510	15058		-				Small filter (minimum 3 pieces)
1515	10798/B		-				Brass pipe fitting

em=ELECTROMECHANICAL SWITCHES, lw=LOWER WASHING, uw=LOWER AND UPPER WASHING

3U=3U

dvgw=DVGW, cr=COLD RINSE, dd=DETERGENT DISPENSER

A=3/N/PE~380-400V 50-60Hz, D=3/PE~200-210V 50-60Hz, F=2/PE~220-240V 50-60Hz, G=3/N/PE~415V 50-60Hz, H=3/PE~220-230V 50-60Hz, K=3/PE~380-400V 50-60Hz, L=3/PE~415V 50-60Hz, M=3/PE~440V 60Hz, P=1/N/PE~220-230V 50-60Hz, R=2/PE~220-240V 50-60Hz, U=1/N/PE~240V 50-60Hz, V=3/PE~240V 50-60Hz, W=1/N/PE~100-110V 50-60Hz



10_003_e

Spare parts

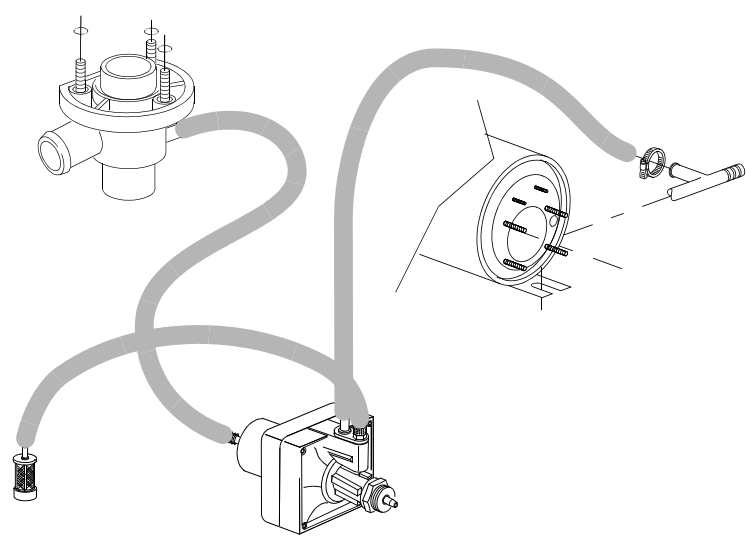
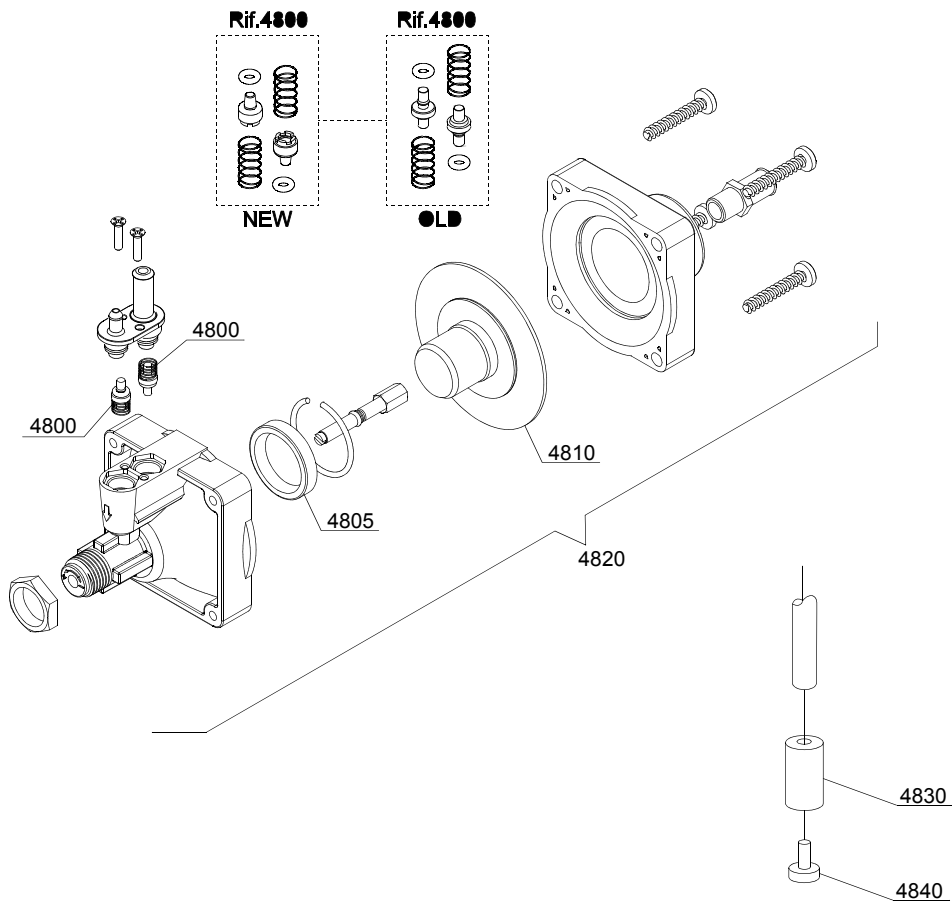
ID	P-code	SN from	SN to	Mod.	Acces.	Volt	Description
Module: Rinse aid dispenser group							
1600	10805		-				Tecnopro non return valve
1605	10806		-				Ø22 O-ring
1610	10807		-				Membrane
1615	10808		-				Spring
1620	10599999		-				Rinse aid dispenser
1625	12525		-				Counter-weight
1630	15058		-				Small filter (minimum 3 pieces)

em=ELECTROMECHANICAL SWITCHES, lw=LOWER WASHING, uw=LOWER AND UPPER WASHING

3U=3U

dvgw=DVGW, cr=COLD RINSE, dd=DETERGENT DISPENSER

A=3/N/PE~380-400V 50-60Hz, D=3/PE~200-210V 50-60Hz, F=2/PE~220-240V 50-60Hz, G=3/N/PE~415V 50-60Hz, H=3/PE~220-230V 50-60Hz, K=3/PE~380-400V 50-60Hz, L=3/PE~415V 50-60Hz, M=3/PE~440V 60Hz, P=1/N/PE~220-230V 50-60Hz, R=2/PE~220-240V 50-60Hz, U=1/N/PE~240V 50-60Hz, V=3/PE~240V 50-60Hz, W=1/N/PE~100-110V 50-60Hz



10_004_e

Spare parts

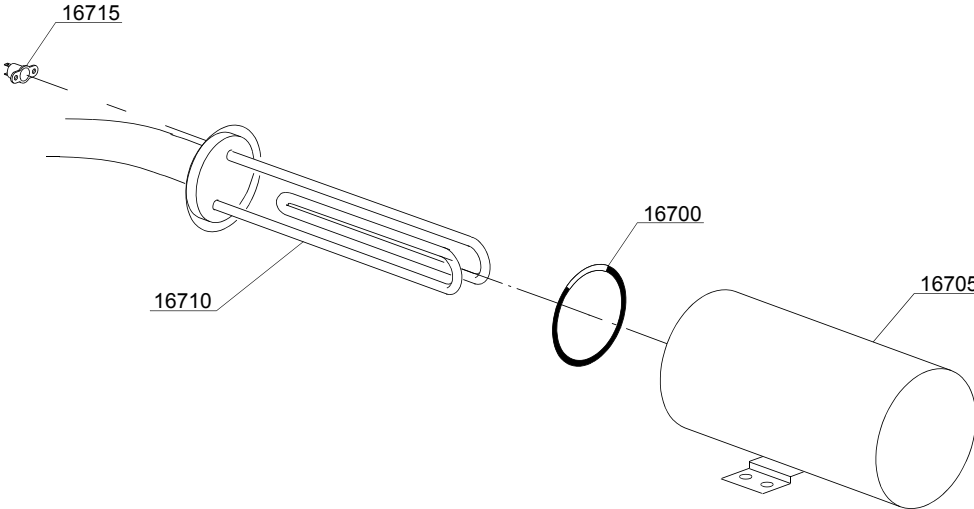
ID	P-code	SN from	SN to	Mod.	Acces.	Volt	Description
Module: Rinse aid dispenser group							
4800	10805		-				Tecnopro non return valve
4805	10806		-				Ø22 O-ring
4810	10807		-				Membrane
4820	10799		-				Rinse aid dispenser
4830	12525		-				Counter-weight
4840	15058		-				Small filter (minimum 3 pieces)

em=ELECTROMECHANICAL SWITCHES, lw=LOWER WASHING, uw=LOWER AND UPPER WASHING

3U=3U

dvgw=DVGW, cr=COLD RINSE, dd=DETERGENT DISPENSER

A=3/N/PE~380-400V 50-60Hz, D=3/PE~200-210V 50-60Hz, F=2/PE~220-240V 50-60Hz, G=3/N/PE~415V 50-60Hz, H=3/PE~220-230V 50-60Hz, K=3/PE~380-400V 50-60Hz, L=3/PE~415V 50-60Hz, M=3/PE~440V 60Hz, P=1/N/PE~220-230V 50-60Hz, R=2/PE~220-240V 50-60Hz, U=1/N/PE~240V 50-60Hz, V=3/PE~240V 50-60Hz, W=1/N/PE~100-110V 50-60Hz



11_008_e

Spare parts

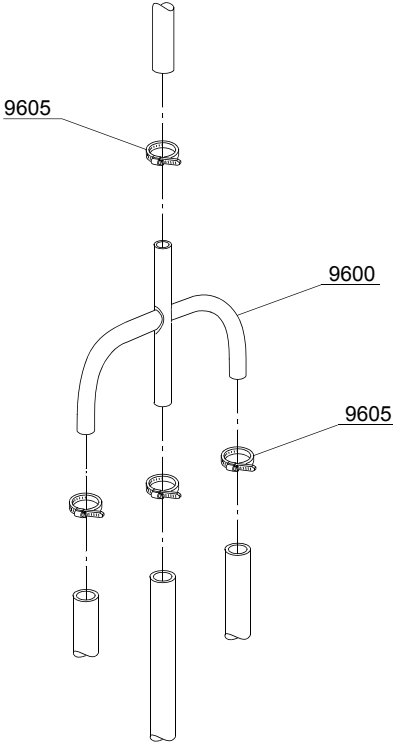
ID	P-code	SN from	SN to	Mod.	Acces.	Volt	Description
Module:Boiler group							
16700	13005		-				OR 151 NBR O-ring (minimum 5 pieces)
16705	17905		-				Boiler
16710	16036/A		-				2,18/2,37KW 230/240V heating element
16715	15550		-				Safety thermostat

em=ELECTROMECHANICAL SWITCHES, lw=LOWER WASHING, uw=LOWER AND UPPER WASHING

3U=3U

dvgw=DVGW, cr=COLD RINSE, dd=DETERGENT DISPENSER

A=3/N/PE~380-400V 50-60Hz, D=3/PE~200-210V 50-60Hz, F=2/PE~220-240V 50-60Hz, G=3/N/PE~415V 50-60Hz, H=3/PE~220-230V 50-60Hz, K=3/PE~380-400V 50-60Hz, L=3/PE~415V 50-60Hz, M=3/PE~440V 60Hz, P=1/N/PE~220-230V 50-60Hz, R=2/PE~220-240V 50-60Hz, U=1/N/PE~240V 50-60Hz, V=3/PE~240V 50-60Hz, W=1/N/PE~100-110V 50-60Hz



12_004_e

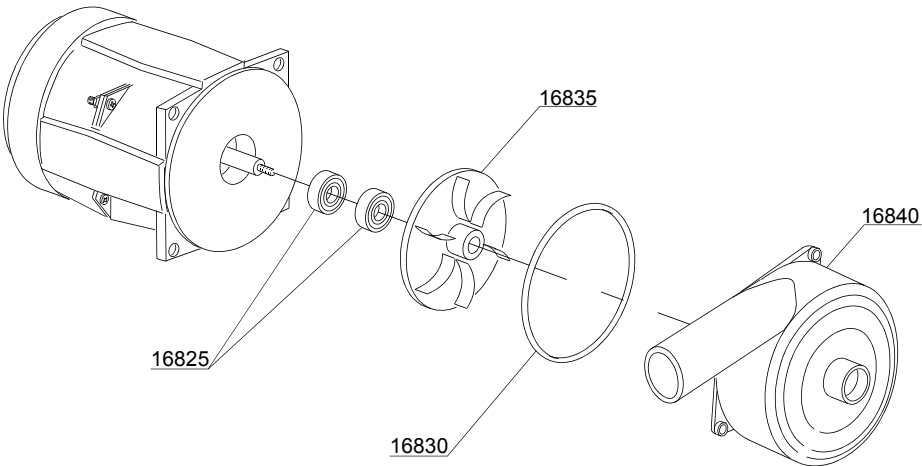
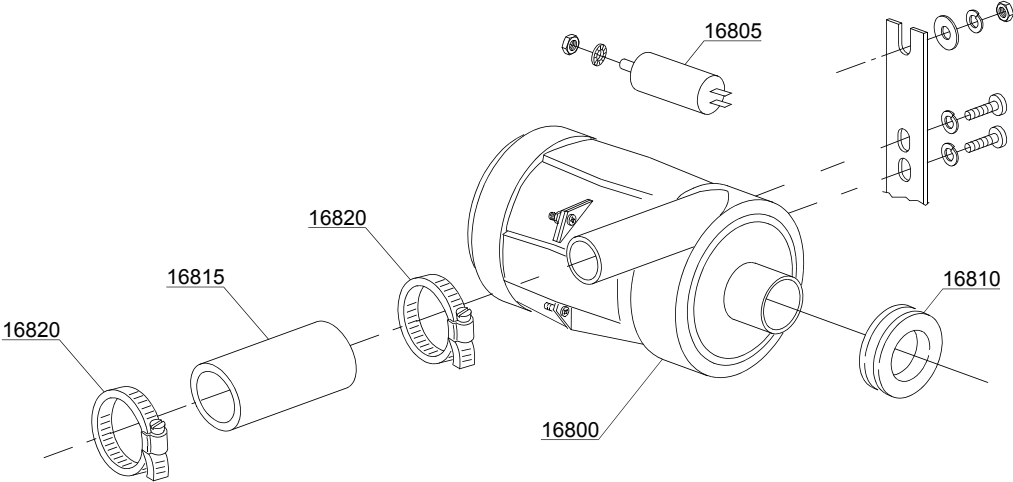
Spare parts

ID	P-code	SN from	SN to	Mod.	Acces.	Volt	Description
Module:4 ways connection							
9600	15151		-	em	cr		Ø10 mm 4 ways connection
9605	11806		-				25/40 clamp (minimum 2 pieces)

em=ELECTROMECHANICAL SWITCHES, lw=LOWER WASHING, uw=LOWER AND UPPER WASHING
3U=3U

dvgw=DVGW, cr=COLD RINSE, dd=DETERGENT DISPENSER

A=3/N/PE~380-400V 50-60Hz, D=3/PE~200-210V 50-60Hz, F=2/PE~220-240V 50-60Hz, G=3/N/PE~415V 50-60Hz,
H=3/PE~220-230V 50-60Hz, K=3/PE~380-400V 50-60Hz, L=3/PE~415V 50-60Hz, M=3/PE~440V 60Hz, P=1/N/PE~220-
230V 50-60Hz, R=2/PE~220-240V 50-60Hz, U=1/N/PE~240V 50-60Hz, V=3/PE~240V 50-60Hz, W=1/N/PE~100-110V
50-60Hz



13_007_e

Spare parts

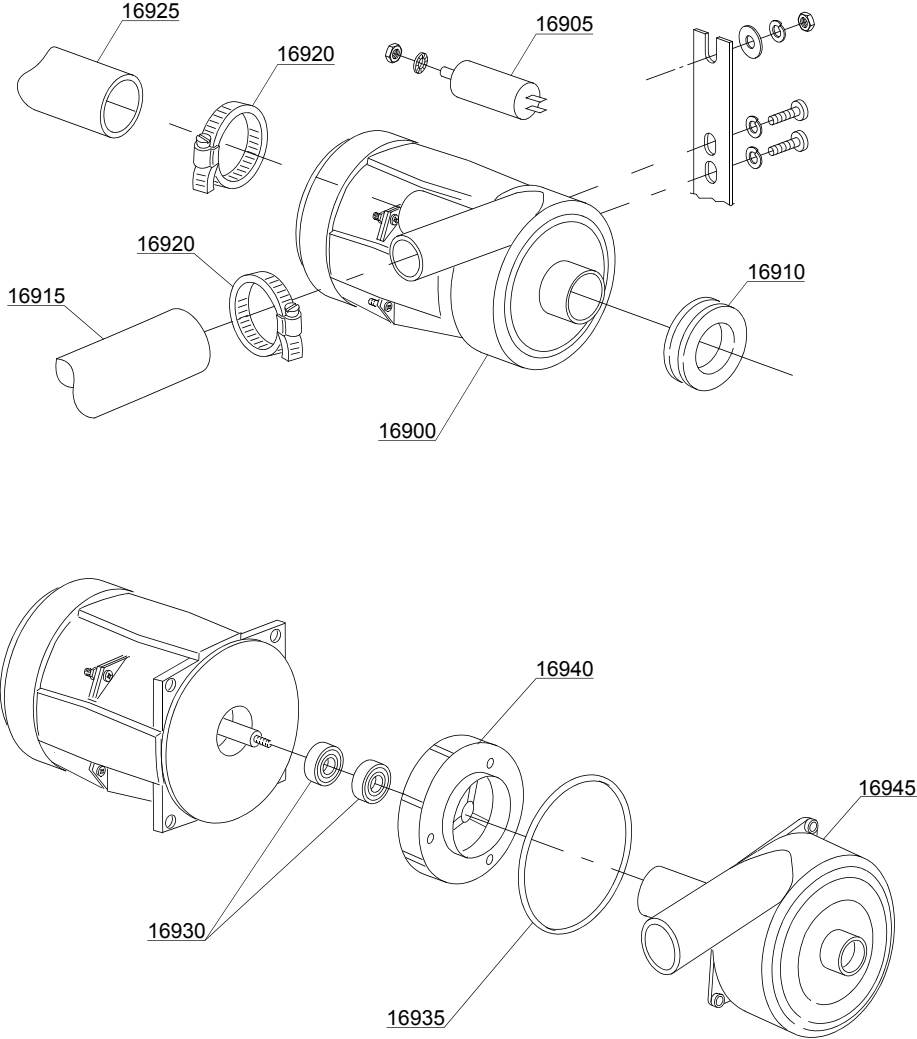
ID	P-code	SN from	SN to	Mod.	Acces.	Volt	Description
Module: Wash pump							
16800	18243		-	lw		A	"CF" 0,33Hp wash pump - 230V 50Hz
16800	18243/A		-	lw			0,33Hp wash pump - 220VAc 60Hz
16805	10702		-	lw			5 uF condenser
16810	13350		-	lw			Pump O-ring
16815	10718		-	lw			Pump pipe coupling
16820	11806		-	lw			25/40 clamp (minimum 2 pieces)
16825	15080		-	lw			Rotating seals
16830	18245		-	lw			OR O-ring
16835	18246		-	lw			Pump rotor
16840	18248		-	lw			Scroll

em=ELECTROMECHANICAL SWITCHES, lw=LOWER WASHING, uw=LOWER AND UPPER WASHING

3U=3U

dvgw=DVGW, cr=COLD RINSE, dd=DETERGENT DISPENSER

A=3/N/PE~380-400V 50-60Hz, D=3/PE~200-210V 50-60Hz, F=2/PE~220-240V 50-60Hz, G=3/N/PE~415V 50-60Hz, H=3/PE~220-230V 50-60Hz, K=3/PE~380-400V 50-60Hz, L=3/PE~415V 50-60Hz, M=3/PE~440V 60Hz, P=1/N/PE~220-230V 50-60Hz, R=2/PE~220-240V 50-60Hz, U=1/N/PE~240V 50-60Hz, V=3/PE~240V 50-60Hz, W=1/N/PE~100-110V 50-60Hz



13_113_e

Spare parts

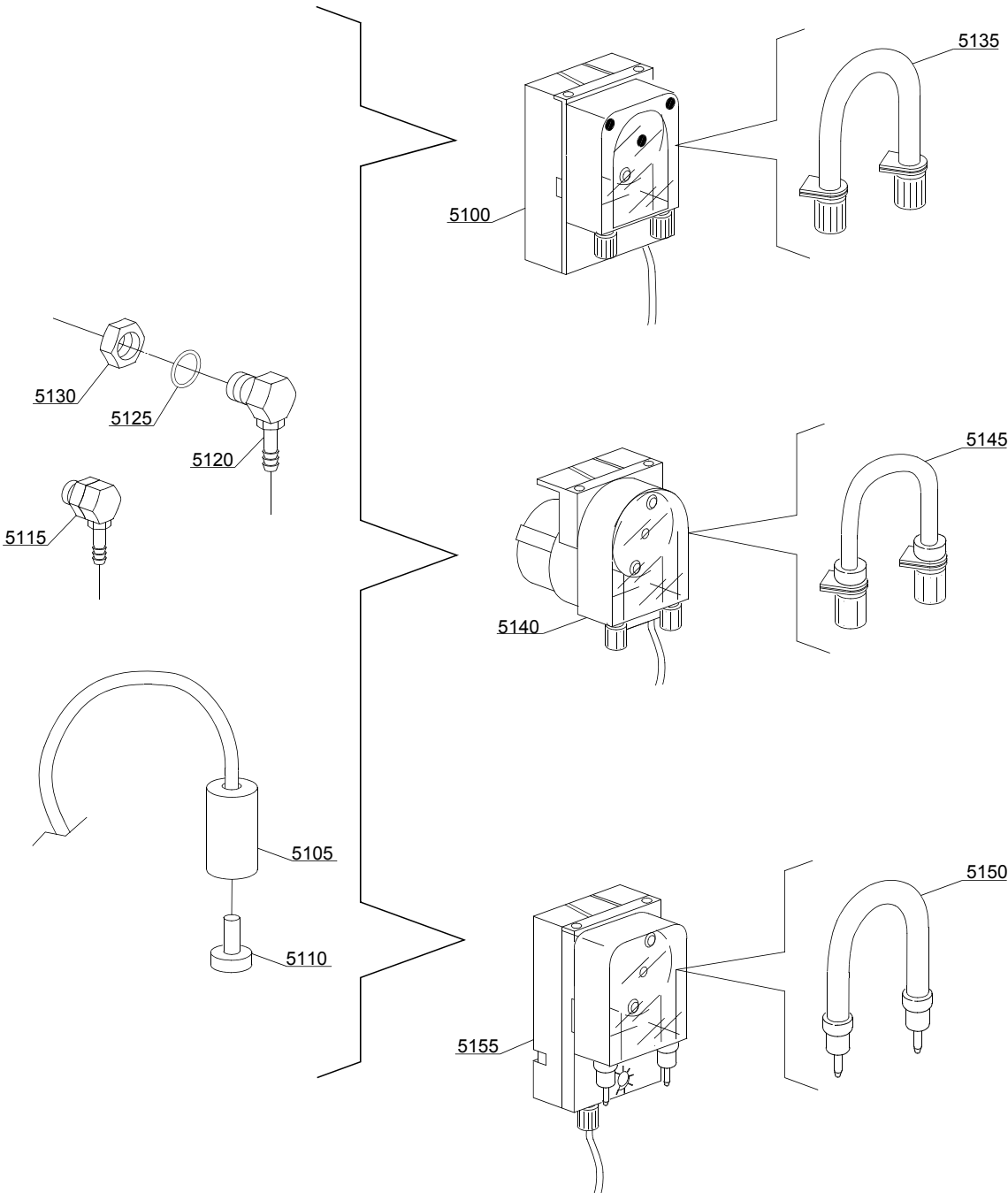
ID	P-code	SN from	SN to	Mod.	Acces.	Volt	Description
Module: Wash pump							
16900	18242		-	uw		A	0,30Hp wash pump - 230V
16905	10702		-	uw			5 uF condenser
16910	13350		-	uw			Pump O-ring
16915	10718		-	uw			Pump pipe coupling
16920	11806		-	uw			25/40 clamp
16925	18044		-	uw			Ø28 top wash pipe
16930	15080		-	uw			Rotating seals
16935	18245		-	uw			OR O-ring
16940	18246		-	uw			Pump rotor
16945	18247		-	uw			Scroll

em=ELECTROMECHANICAL SWITCHES, lw=LOWER WASHING, uw=LOWER AND UPPER WASHING

3U=3U

dvgw=DVGW, cr=COLD RINSE, dd=DETERGENT DISPENSER

A=3/N/PE~380-400V 50-60Hz, D=3/PE~200-210V 50-60Hz, F=2/PE~220-240V 50-60Hz, G=3/N/PE~415V 50-60Hz, H=3/PE~220-230V 50-60Hz, K=3/PE~380-400V 50-60Hz, L=3/PE~415V 50-60Hz, M=3/PE~440V 60Hz, P=1/N/PE~220-230V 50-60Hz, R=2/PE~220-240V 50-60Hz, U=1/N/PE~240V 50-60Hz, V=3/PE~240V 50-60Hz, W=1/N/PE~100-110V 50-60Hz



14_004_e

Spare parts

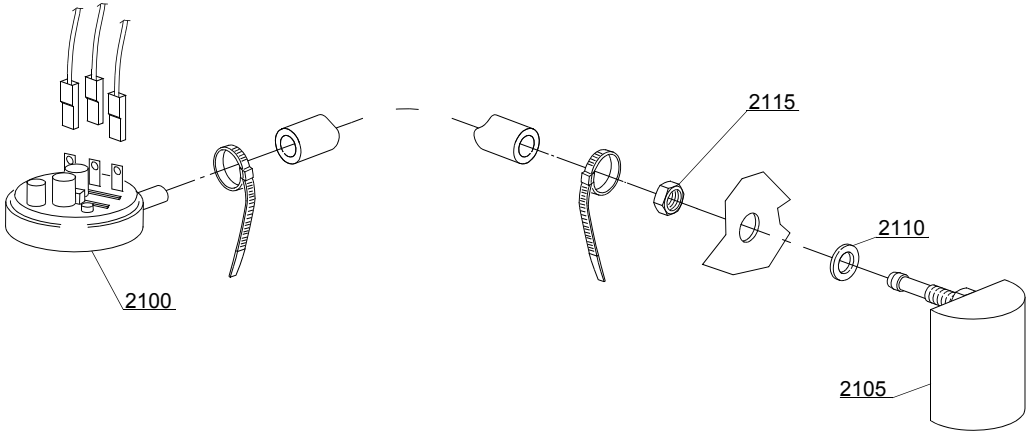
ID	P-code	SN from	SN to	Mod.	Acces.	Volt	Description
Module:Dosing detergent group							
5100	15985		-	em	dd		Seko detergent pump
5105	12525		-	em	dd		Counter-weight
5110	15058		-	em	dd		Small filter (minimum 3 pieces)
5115	15123		-	em	dd		Complect plastic injector
5120	15148		-	em	dd		Steel injector
5125	15159		-	em	dd		OR O-ring (minimum 2 pieces)
5130	10200205		-	em	dd		M12x1 stainless steel nut (minimum 2 pieces)
5135	15185		-	em	dd		Seko thermoplastic pipe
5140	15985		-	em	dd		Germac detergent pump
5145	15108/E		-	em	dd		Germac thermoplastic pipe
5150	15985/A		-	em	dd		Plas Cont thermoplastic pipe
5155	15985		-	em	dd		Plas Cont detergent pump

em=ELECTROMECHANICAL SWITCHES, lw=LOWER WASHING, uw=LOWER AND UPPER WASHING

3U=3U

dvgw=DVGW, cr=COLD RINSE, dd=DETERGENT DISPENSER

A=3/N/PE~380-400V 50-60Hz, D=3/PE~200-210V 50-60Hz, F=2/PE~220-240V 50-60Hz, G=3/N/PE~415V 50-60Hz, H=3/PE~220-230V 50-60Hz, K=3/PE~380-400V 50-60Hz, L=3/PE~415V 50-60Hz, M=3/PE~440V 60Hz, P=1/N/PE~220-230V 50-60Hz, R=2/PE~220-240V 50-60Hz, U=1/N/PE~240V 50-60Hz, V=3/PE~240V 50-60Hz, W=1/N/PE~100-110V 50-60Hz



16_001_e

Spare parts

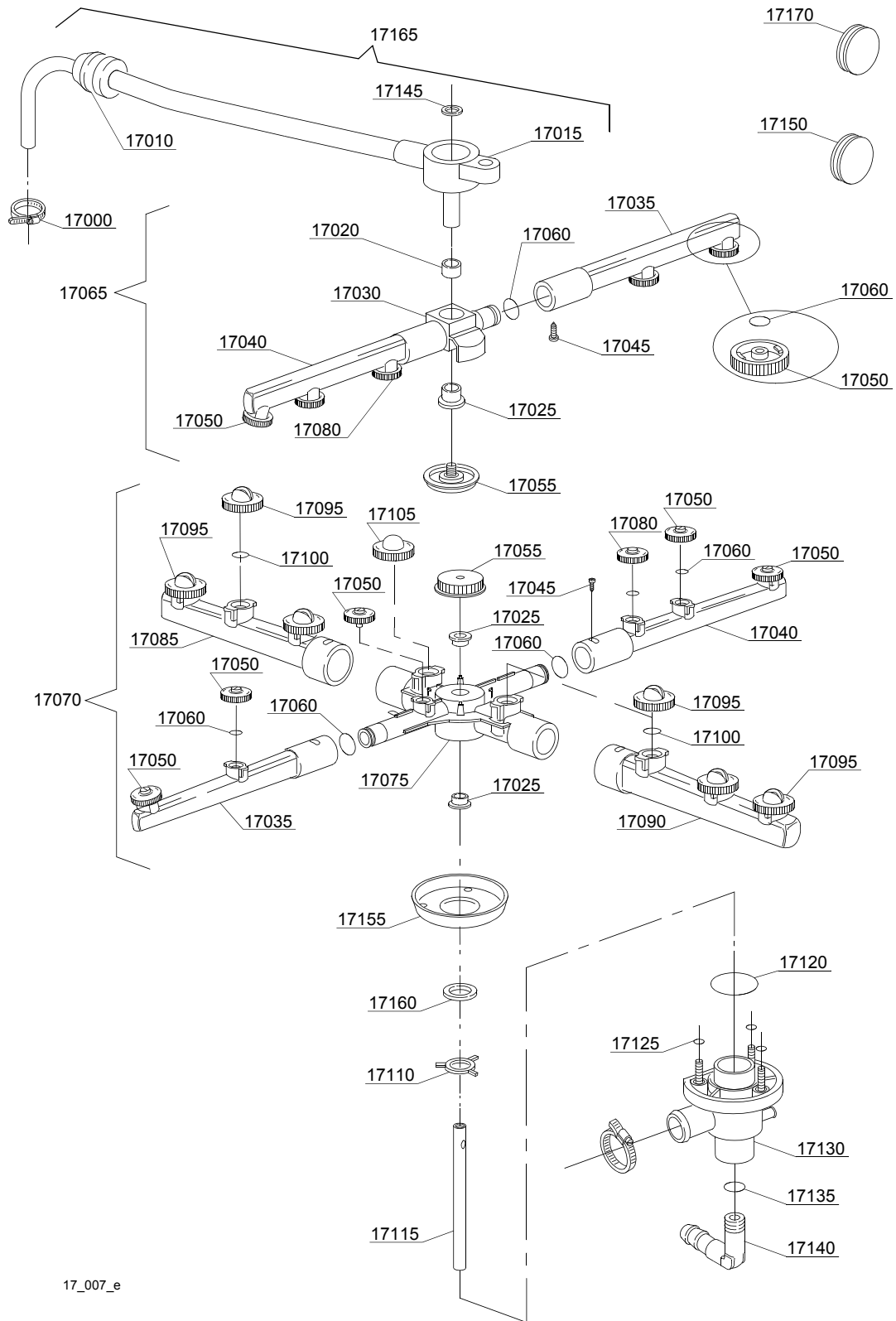
ID	P-code	SN from	SN to	Mod.	Acces.	Volt	Description
Module:Pressure switch group with air trap							
2100	10706/A		-	em			47-27 pressure switch
2105	135911	4020618	-	em			Air trap assembly
2110	13301		-	em			O-ring (minimum 10 pieces)
2115	11702		-	em			M8 stainless steel nut (minimum 10 pieces)

em=ELECTROMECHANICAL SWITCHES, lw=LOWER WASHING, uw=LOWER AND UPPER WASHING

3U=3U

dvgw=DVGW, cr=COLD RINSE, dd=DETERGENT DISPENSER

A=3/N/PE~380-400V 50-60Hz, D=3/PE~200-210V 50-60Hz, F=2/PE~220-240V 50-60Hz, G=3/N/PE~415V 50-60Hz, H=3/PE~220-230V 50-60Hz, K=3/PE~380-400V 50-60Hz, L=3/PE~415V 50-60Hz, M=3/PE~440V 60Hz, P=1/N/PE~220-230V 50-60Hz, R=2/PE~220-240V 50-60Hz, U=1/N/PE~240V 50-60Hz, V=3/PE~240V 50-60Hz, W=1/N/PE~100-110V 50-60Hz



17_007_e

Spare parts

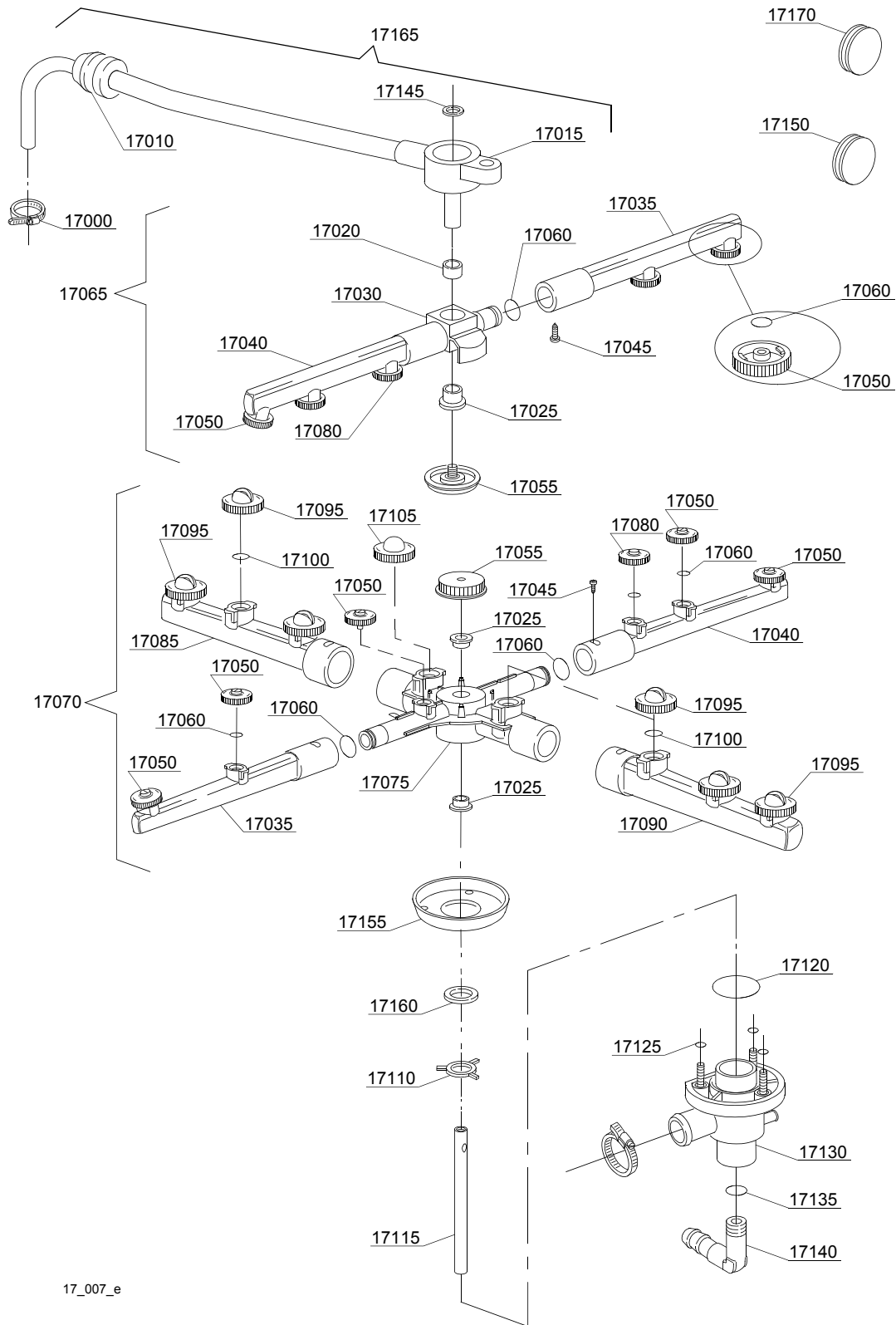
ID	P-code	SN from	SN to	Mod.	Acces.	Volt	Description
Module:Turret group with rotating arms							
17000	11807		-	lw			12/22 clamp (minimum 3 pieces)
17010	13304		-	lw			Pipe-pass O-ring
17020	13320		-	lw			Sliding washer (minimum 3 pieces)
17025	13319		-	lw			Sliding washer (minimum 2 pieces)
17030	10359		-	lw			Rinse rotor
17035	10360		-	lw			Right rinse pipe
17040	10361		-	lw			Left rinse pipe
17045	11004		-	lw			4x10 TCB Ø8 spax toothed screw
17050	12537		-	lw			Opened head rinse nozzle (minimum 5 pieces)
17055	10365		-	lw			Handle with insert
17060	13002		-	lw			OR R6 NBR O-ring (minimum 10 pieces)
17075	10364		-	lw			Wash rotor
17080	12538		-	lw			Closed head rinse nozzle (minimum 3 pieces)
17085	10355		-	lw			Right wash pipe
17090	10356		-	lw			Left wash pipe
17095	10357		-	lw			Opened head wash nozzle (minimum 2 pieces)
17100	13009		-	lw			OR 2050 NBR O-ring (minimum 40 pieces)
17105	10358		-	lw			Closed head wash nozzle (minimum 3 pieces)
17110	10203		-	lw			Guide pipe
17115	12501		-	lw			Ø10x1,5x100 rotor axle
17120	13000		-	lw			OR 3125 NBR O-ring (minimum 5 pieces)
17125	13001		-	lw			OR 104 NBR O-ring (minimum 10 pieces)
17130	10205		-	lw			Lower wash turret
17130	10205/C		-	lw			Lower wash turret
17135	13003		-	lw			OR 112 NBR O-ring (minimum 10 pieces)
17140	12030		-	lw			3/8M Ø12 elbow pipe fitting
17145	11610		-	lw			Copper washer (minimum 10 pieces)
17150	13316		-	lw			43x10 blind O-ring

em=ELECTROMECHANICAL SWITCHES, lw=LOWER WASHING, uw=LOWER AND UPPER WASHING

3U=3U

dvgw=DVGW, cr=COLD RINSE, dd=DETERGENT DISPENSER

A=3/N/PE~380-400V 50-60Hz, D=3/PE~200-210V 50-60Hz, F=2/PE~220-240V 50-60Hz, G=3/N/PE~415V 50-60Hz, H=3/PE~220-230V 50-60Hz, K=3/PE~380-400V 50-60Hz, L=3/PE~415V 50-60Hz, M=3/PE~440V 60Hz, P=1/N/PE~220-230V 50-60Hz, R=2/PE~220-240V 50-60Hz, U=1/N/PE~240V 50-60Hz, V=3/PE~240V 50-60Hz, W=1/N/PE~100-110V 50-60Hz



17_007_e

Spare parts

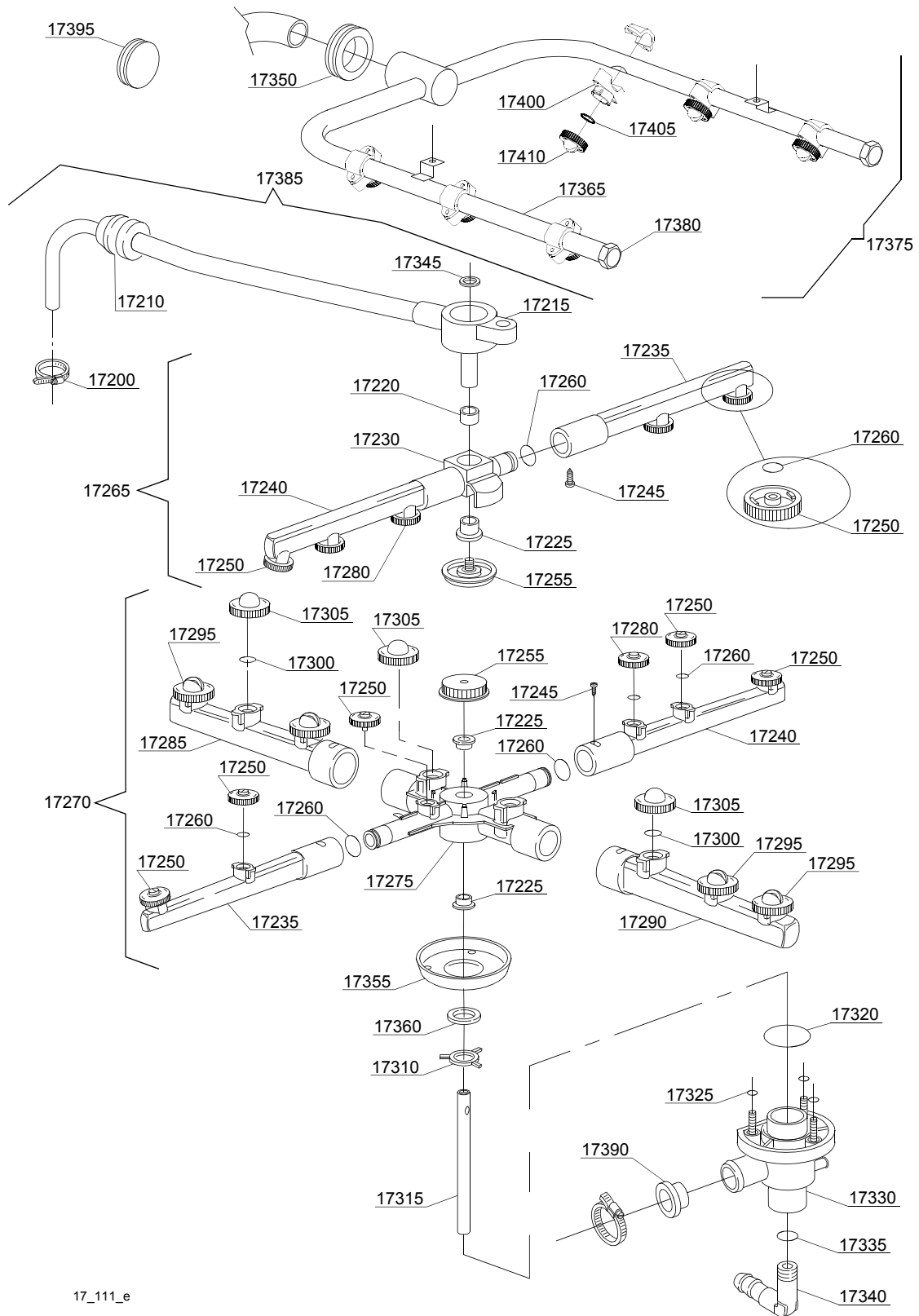
ID	P-code	SN from	SN to	Mod.	Acces.	Volt	Description
Module:Turret group with rotating arms							
17155	10204		-	lw			Splash guard (minimum 2 pieces)
17160	13302		-	lw			Ø16,5x10x2,5 teflon washer (minimum 2 pieces)
17165	17993		-	lw			Rinse turret group
17170	13316/A		-	lw			DVGW hole O-ring

em=ELECTROMECHANICAL SWITCHES, lw=LOWER WASHING, uw=LOWER AND UPPER WASHING

3U=3U

dvgw=DVGW, cr=COLD RINSE, dd=DETERGENT DISPENSER

A=3/N/PE~380-400V 50-60Hz, D=3/PE~200-210V 50-60Hz, F=2/PE~220-240V 50-60Hz, G=3/N/PE~415V 50-60Hz, H=3/PE~220-230V 50-60Hz, K=3/PE~380-400V 50-60Hz, L=3/PE~415V 50-60Hz, M=3/PE~440V 60Hz, P=1/N/PE~220-230V 50-60Hz, R=2/PE~220-240V 50-60Hz, U=1/N/PE~240V 50-60Hz, V=3/PE~240V 50-60Hz, W=1/N/PE~100-110V 50-60Hz



17_111_e

Spare parts

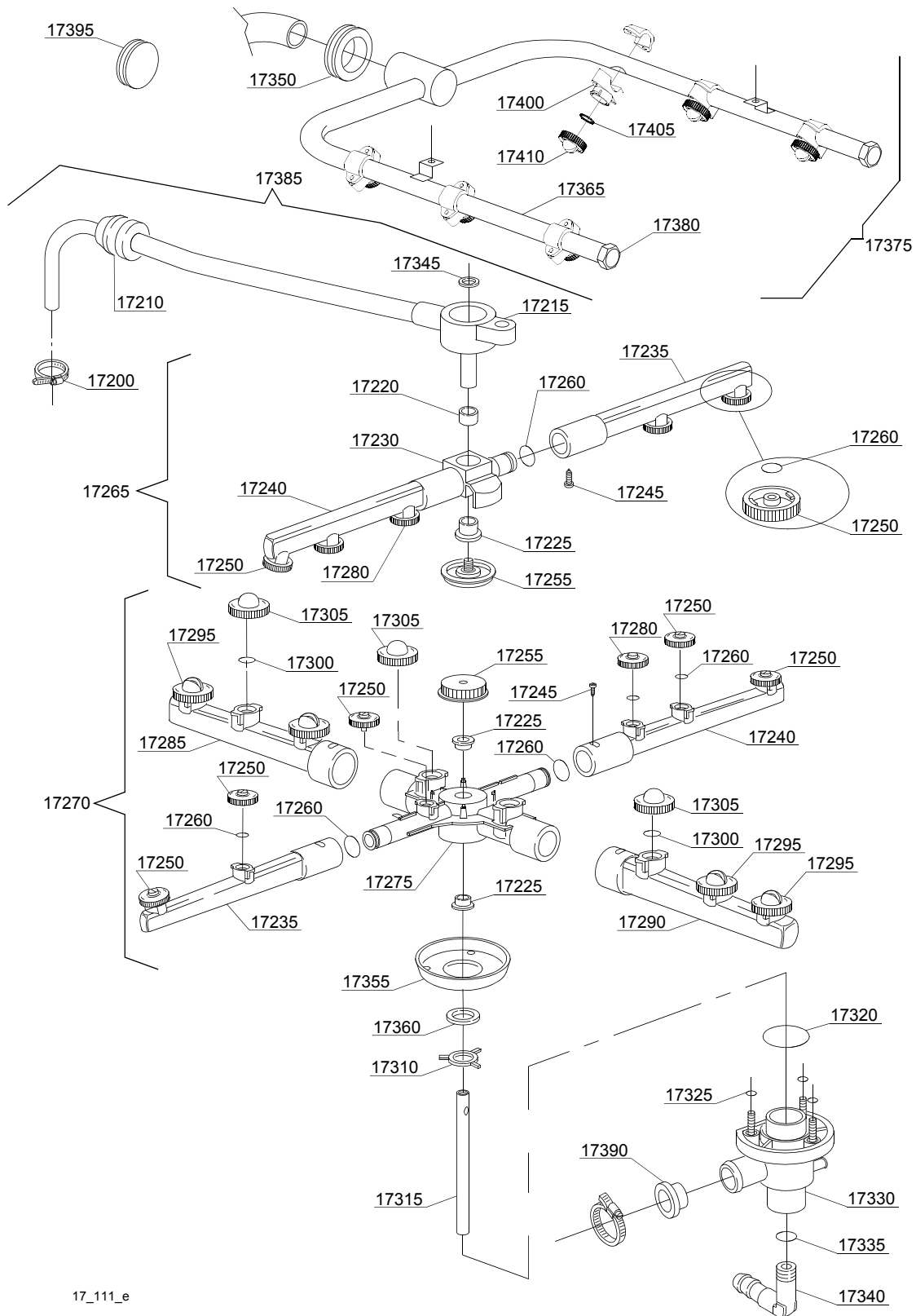
ID	P-code	SN from	SN to	Mod.	Acces.	Volt	Description
Module:Turret group with rotating arms							
17200	11807		-	uw			12/22 clamp (minimum 3 pieces)
17210	13304		-	uw			Pipe-pass O-ring
17220	13320		-	uw			Sliding washer (minimum 3 pieces)
17225	13319		-	uw			Sliding washer (minimum 2 pieces)
17230	10359		-	uw			Rinse rotor
17235	10360		-	uw			Right rinse pipe
17240	10361		-	uw			Left rinse pipe
17245	11004		-	uw			4x10 TCB Ø8 spax toothed screw
17250	12537		-	uw			Opened head rinse nozzle (minimum 5 pieces)
17255	10365		-	uw			Handle with insert
17260	13002		-	uw			OR R6 NBR O-ring (minimum 10 pieces)
17275	10364		-	uw			Wash rotor
17280	12538		-	uw			Closed head rinse nozzle (minimum 3 pieces)
17285	10355		-	uw			Right wash pipe
17290	10356		-	uw			Left wash pipe
17295	10366		-	uw			1,9 opened head wash nozzle (minimum 2 pieces)
17300	13009		-	uw			OR 2050 NBR O-ring (minimum 40 pieces)
17305	10358		-	uw			Closed head wash nozzle (minimum 3 pieces)
17310	10203		-	uw			Guide pipe
17315	12501		-	uw			Ø10x1,5x100 rotor axle
17320	13000		-	uw			OR 3125 NBR O-ring (minimum 5 pieces)
17325	13001		-	uw			OR 104 NBR O-ring (minimum 10 pieces)
17330	10205		-	uw			Lower wash turret
17335	13003		-	uw			OR 112 NBR O-ring (minimum 10 pieces)
17340	12030		-	uw			3/8M Ø12 elbow pipe fitting
17345	11610		-	uw			Copper washer (minimum 10 pieces)
17350	13306/A		-	uw			Top wash ramp O-ring
17355	10204		-	uw			Splash guard (minimum 2 pieces)

em=ELECTROMECHANICAL SWITCHES, lw=LOWER WASHING, uw=LOWER AND UPPER WASHING

3U=3U

dvgw=DVGW, cr=COLD RINSE, dd=DETERGENT DISPENSER

A=3/N/PE~380-400V 50-60Hz, D=3/PE~200-210V 50-60Hz, F=2/PE~220-240V 50-60Hz, G=3/N/PE~415V 50-60Hz, H=3/PE~220-230V 50-60Hz, K=3/PE~380-400V 50-60Hz, L=3/PE~415V 50-60Hz, M=3/PE~440V 60Hz, P=1/N/PE~220-230V 50-60Hz, R=2/PE~220-240V 50-60Hz, U=1/N/PE~240V 50-60Hz, V=3/PE~240V 50-60Hz, W=1/N/PE~100-110V 50-60Hz



17_111_e

Spare parts

ID	P-code	SN from	SN to	Mod.	Acces.	Volt	Description
Module:Turret group with rotating arms							
17360	13302		-	uw			Ø16,5x10x2,5 teflon washer (minimum 2 pieces)
17365	18134		-	uw			Top wash pipe
17375	16920		-	uw			Top wash group
17380	12503		-	uw			Plug
17385	17993		-	uw			Rinse turret group
17390	12518		-	uw			Flux reducer
17395	13316/A		-	uw			DVGW hole O-ring

em=ELECTROMECHANICAL SWITCHES, lw=LOWER WASHING, uw=LOWER AND UPPER WASHING
3U=3U

dvgw=DVGW, cr=COLD RINSE, dd=DETERGENT DISPENSER

A=3/N/PE~380-400V 50-60Hz, D=3/PE~200-210V 50-60Hz, F=2/PE~220-240V 50-60Hz, G=3/N/PE~415V 50-60Hz,
H=3/PE~220-230V 50-60Hz, K=3/PE~380-400V 50-60Hz, L=3/PE~415V 50-60Hz, M=3/PE~440V 60Hz, P=1/N/PE~220-
230V 50-60Hz, R=2/PE~220-240V 50-60Hz, U=1/N/PE~240V 50-60Hz, V=3/PE~240V 50-60Hz, W=1/N/PE~100-110V
50-60Hz