

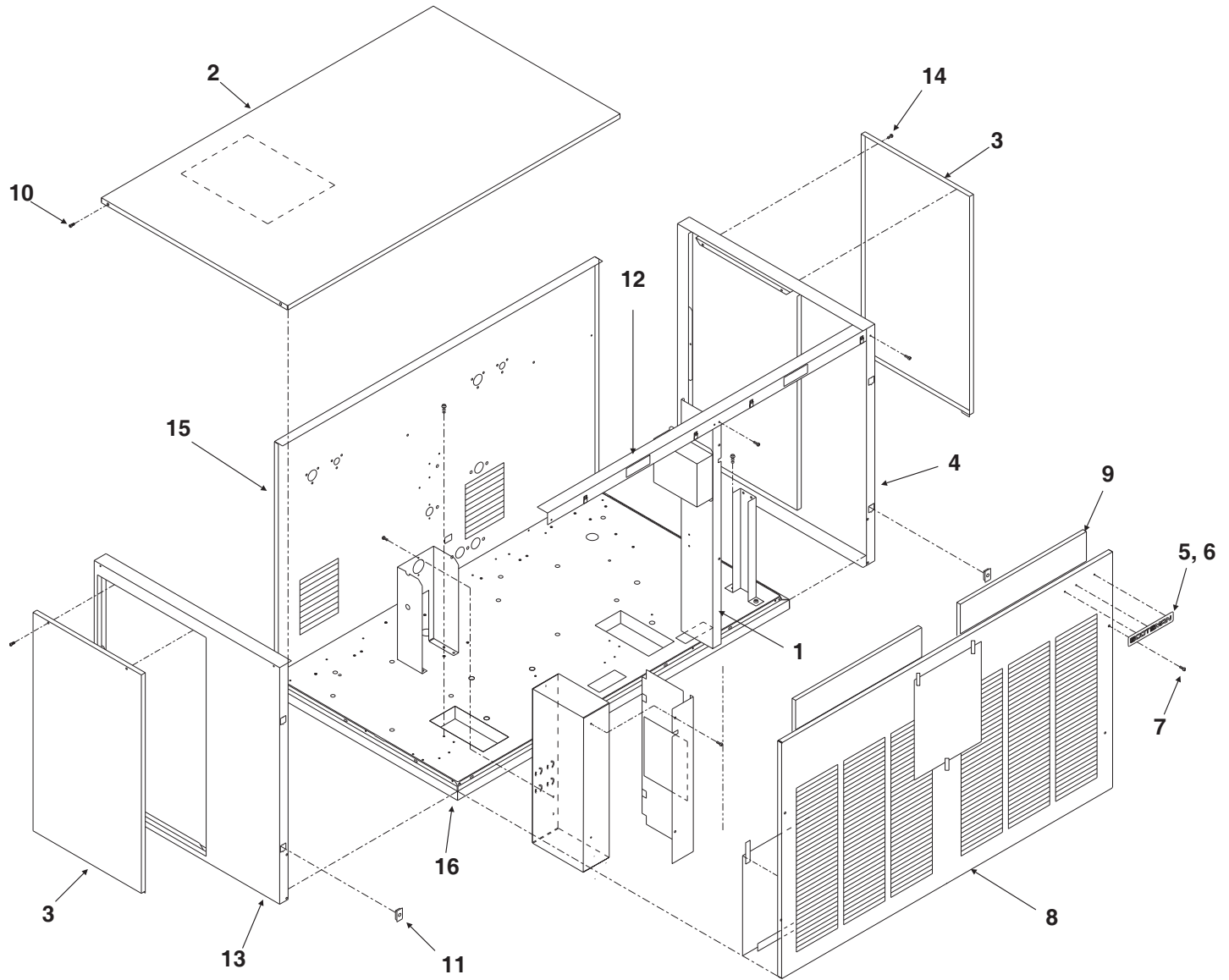
NME1854 & FME2404 SERVICE PARTS

This parts list contains the service parts and wiring diagrams for this model.
Water cooled condensers changed between the A and B series.
Check the model number in question to be sure that it is applicable to this parts list.

TABLE OF CONTENTS

Cabinet	2
Air Cooled Refrigeration	3
Water Cooled Refrigeration	4
Water System	5
Gearmotor	6
NME Evaporator	7
FME Evaporator	8
Control Box	9
Wiring Diagrams	10

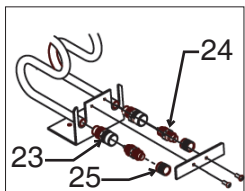
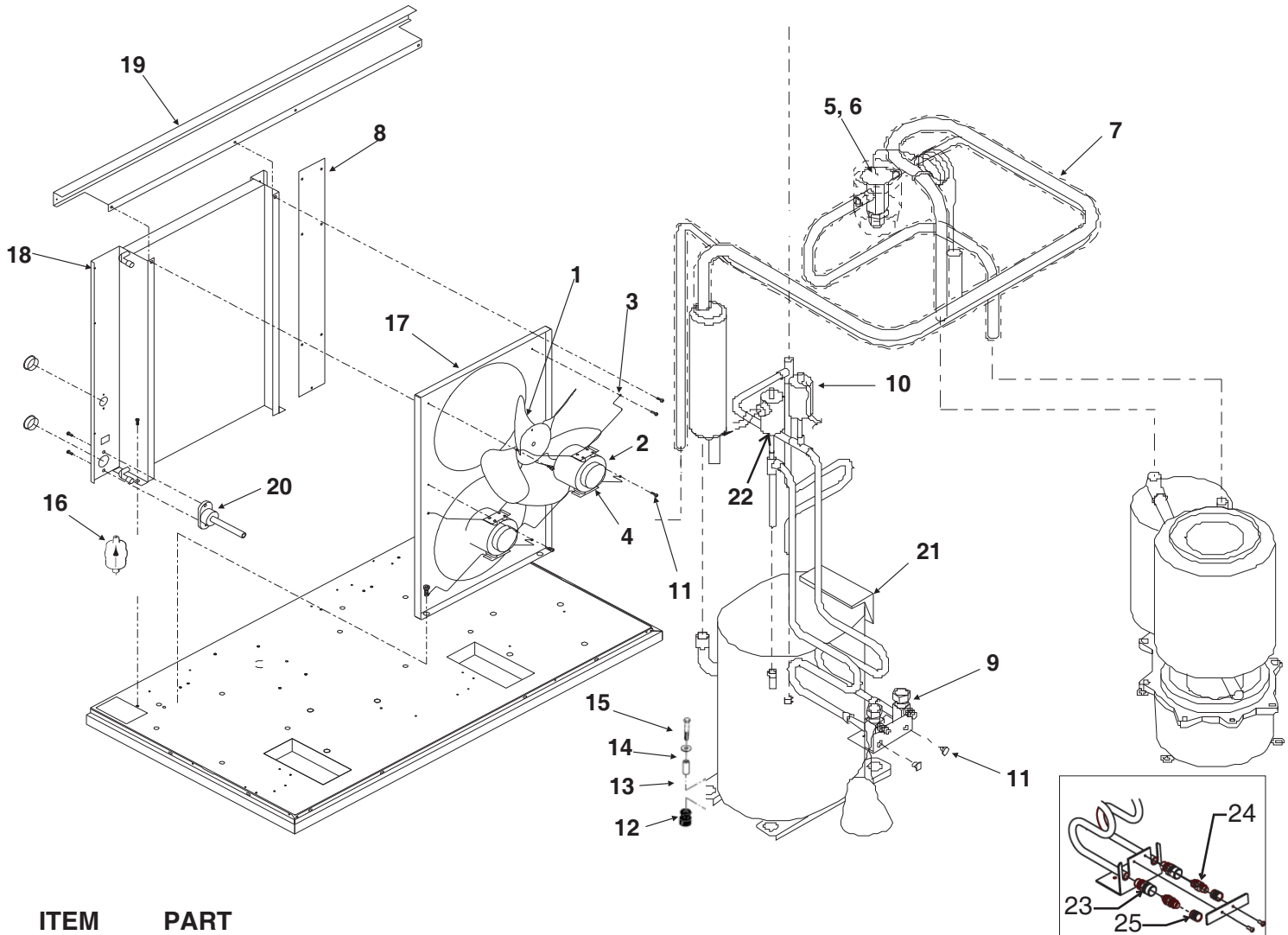
NME1854 & FME2404 SERVICE PARTS Cabinet Assembly



ITEM NUMBER	PART NUMBER	DESCRIPTION	ITEM NUMBER	PART NUMBER	DESCRIPTION
1	A34286-001	Center Support	8	A34294-002	Front Panel, S.S.
2	A32461-002	Top Panel, S.S.	9	02-2976-01	Air filter
3	A34038-002	Service Panel, S.S.		03-1660-01	Clip for filter
4	A33292-002	Right Side Panel, S.S.	10	03-1531-01	Screw
5	03-0271-00	Speed Clip	11	02-0836-00	Catch
6	15-0808-01	Emblem	12	A34287-001	Support
7	03-1419-22	Screw	13	A32435-002	Left Side Panel, S.S.
			14	03-1404-12	Screw
			15	A36517-002	Back panel (WC)
			16.	A36554-001	Base

NME1854 & FME2404 SERVICE PARTS

Air Cooled Refrigeration



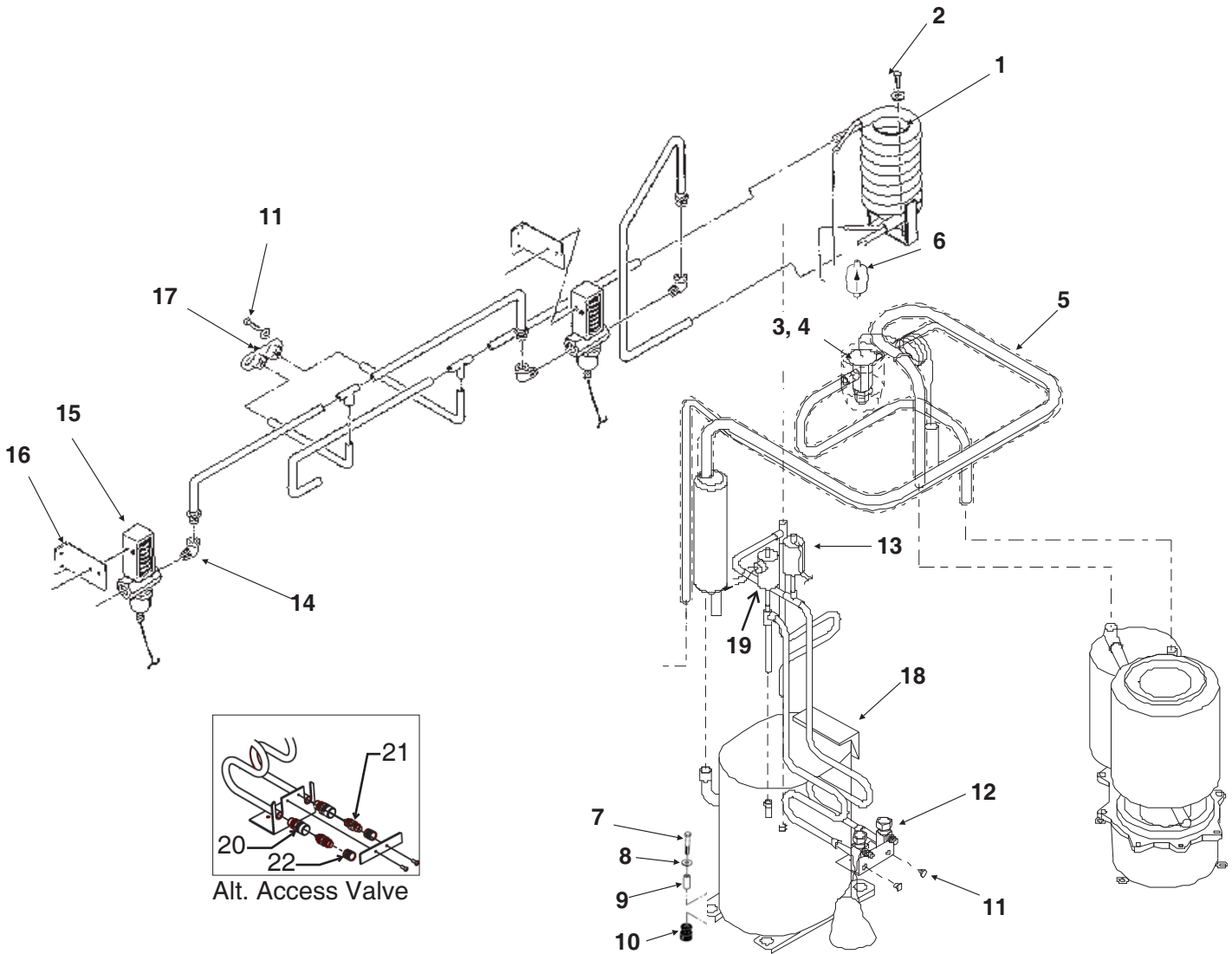
Alt. Access Valve

ITEM NUMBER	PART NUMBER	DESCRIPTION
1	18-3815-01	Fan Blade
2	12-1576-02	Fan Motor
3	02-2378-01	Fan Bracket
4	03-1531-01	Screw
5	A32961-020	Insulation Kit (3 piece)
6	11-0488-21	Thermo Expansion Valve
7	A36496-001	Suction Line
8	A34285-001	Filler panel
9	16-0832-20	Access valve
9a	16-0832-02	Stem cap
9b	16-0832-03	Core cap
10	11-0501-22	Hi Pressure Cut Out
11	03-1645-01	Screw
12	18-2200-28	Grommet
13	18-2200-27	Sleeve
14	03-1407-07	Washer
15	03-1405-20	Cap Screw
16	02-3319-02	Dryer
17	A33231-001	Fan Shroud

ITEM NUMBER	PART NUMBER	DESCRIPTION
18	18-8717-01	Condenser
19	A35613-015	Condenser Support
20	02-3692-22	Drain fitting
21	18-8768-22	Compressor 208-230/60/1 Overload is internal
	18-8768-24	Compressor 200-230/60/3 Overload is internal
	18-8772-26	Compressor 230/50/1
	18-8772-21	Overload
Note: Replacement compressors include a new HFC dryer, and single phase 60 Hz replacements include the starting components.		
22	11-0502-21	Low pressure cut out
23	16-1137-01	Access valve body
24	16-1139-01	Core
25	16-1140-01	Cap

NME1854 & FME2404 SERVICE PARTS

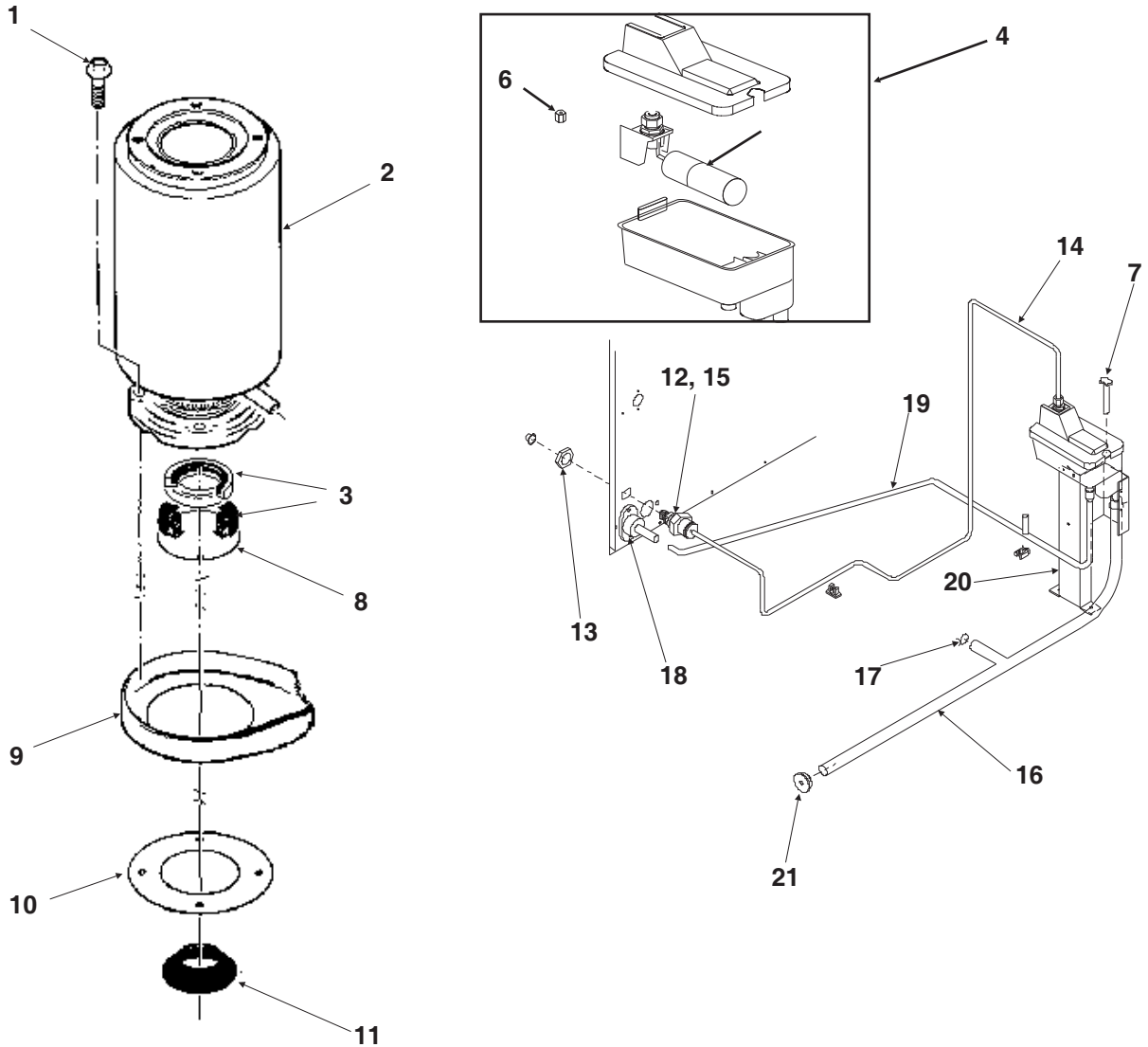
Water Cooled Refrigeration



ITEM NUMBER	PART NUMBER	DESCRIPTION
1	18-8718-25	A series WC condenser
	18-8873-21	B series WC condenser
2	03-1645-01	Screw
3	11-0488-21	Thermo Expansion Valve
4	A32961-020	Insulation Kit (3 piece)
5	A36496-001	Suction Line
6	02-3319-02	Dryer
7	03-1405-20	Cap Screw
8	03-1407-07	Washer
9	18-2300-27	Sleeve
10	18-2200-28	Grommet
11	03-1645-01	Screw
12	16-0832-20	Access valve
12a	16-0832-02	Stem cap
12b	16-0832-03	Core cap
13	11-0501-22	Hi Pressure Cut Out
14	16-0401-02	Elbow
15	11-0478-01	Water Reg. Valve
16	A34341-001	Bracket
17	A32282-004	Drain Assembly
18	18-8768-22	Compressor 208-230/60/1 Overload is internal
	18-8768-24	Compressor 200-230/60/3 Overload is internal
	18-8772-26	Compressor 230/50/1
	18-8772-21	Overload
Note: Replacement compressors include a new HFC dryer, and single phase 60 Hz replacements include the starting components.		
19	11-0502-21	Low pressure cut out
20	16-1137-01	Access valve body
22	16-1139-01	Core
25	16-1140-01	Cap

NME1854 & FME2404 SERVICE PARTS

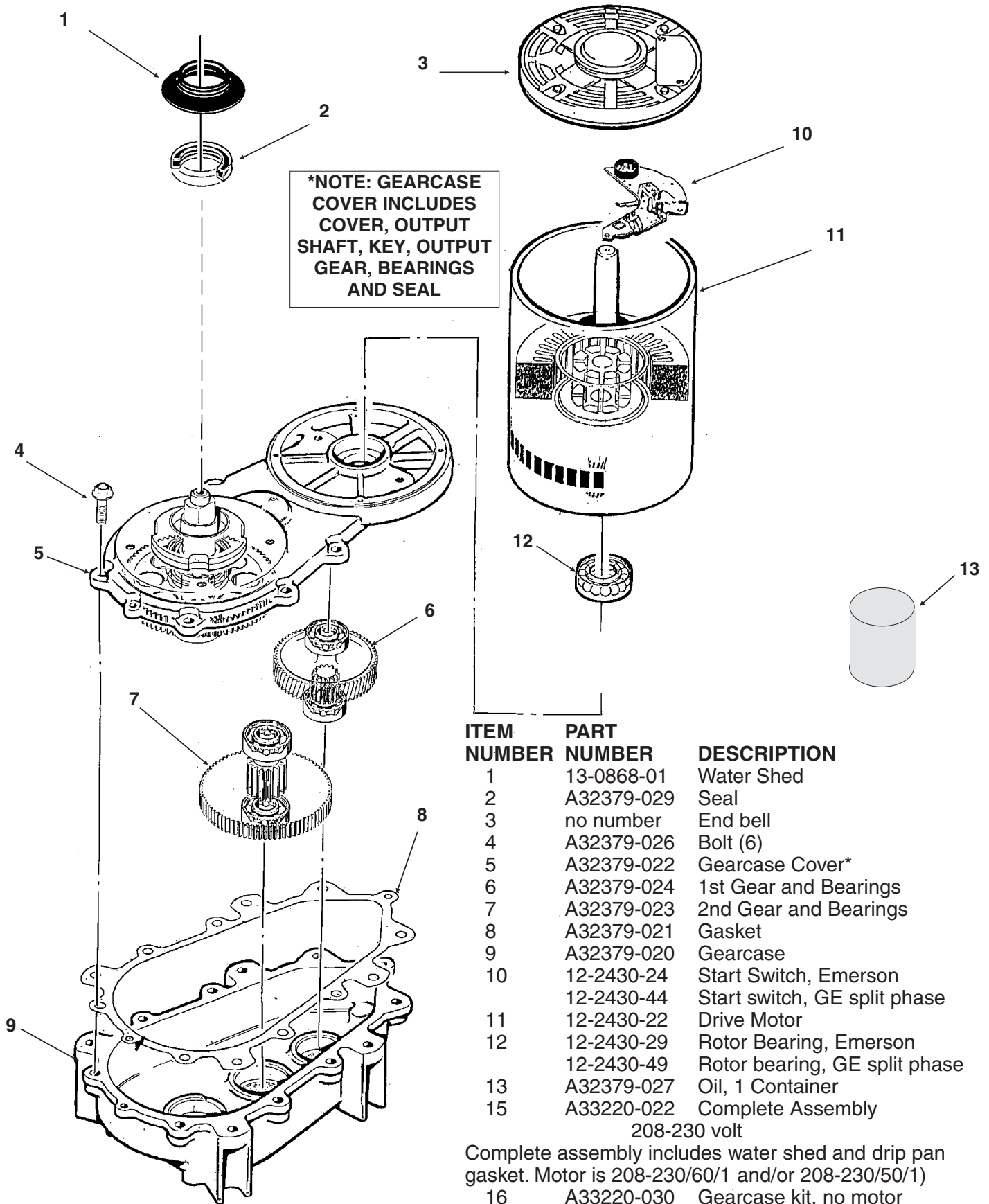
Water System



ITEM NUMBER	PART NUMBER	DESCRIPTION	ITEM NUMBER	PART NUMBER	DESCRIPTION
1	03-1420-03	Cap Screw	15	16-1039-01	Male connector
2	A32890-020	Evaporator	16	A36154-001	Evap. water inlet tube
3	02-0929-23	Water Seal	17	02-1338-00	Hose clamp
4	02-3266-20	Reservoir & valve	18	02-3692-22	Drain fitting
5	02-3266-21	Float valve	19	02-3826-01	Res. overflow hose (right)
6	02-3266-03	Plunger/seat		02-3826-02	Res. overflow hose (left)
7	12-2760-21	Water Level Sensor	20	A36078-002	Reservoir bracket
8	A32777-001	Retaining Ring for Seal	21	13-0840-01	Rubber cap
9	02-3837-01	Drip Pan			
10	13-0704-00	Gasket			
11	13-0868-01	Water Shed			
12	16-0835-01	Inlet fitting for plastic tubing			
13	03-1394-01	Pal Nut			
14	13-0895-01	Inlet tubing, 4 ft. req.			

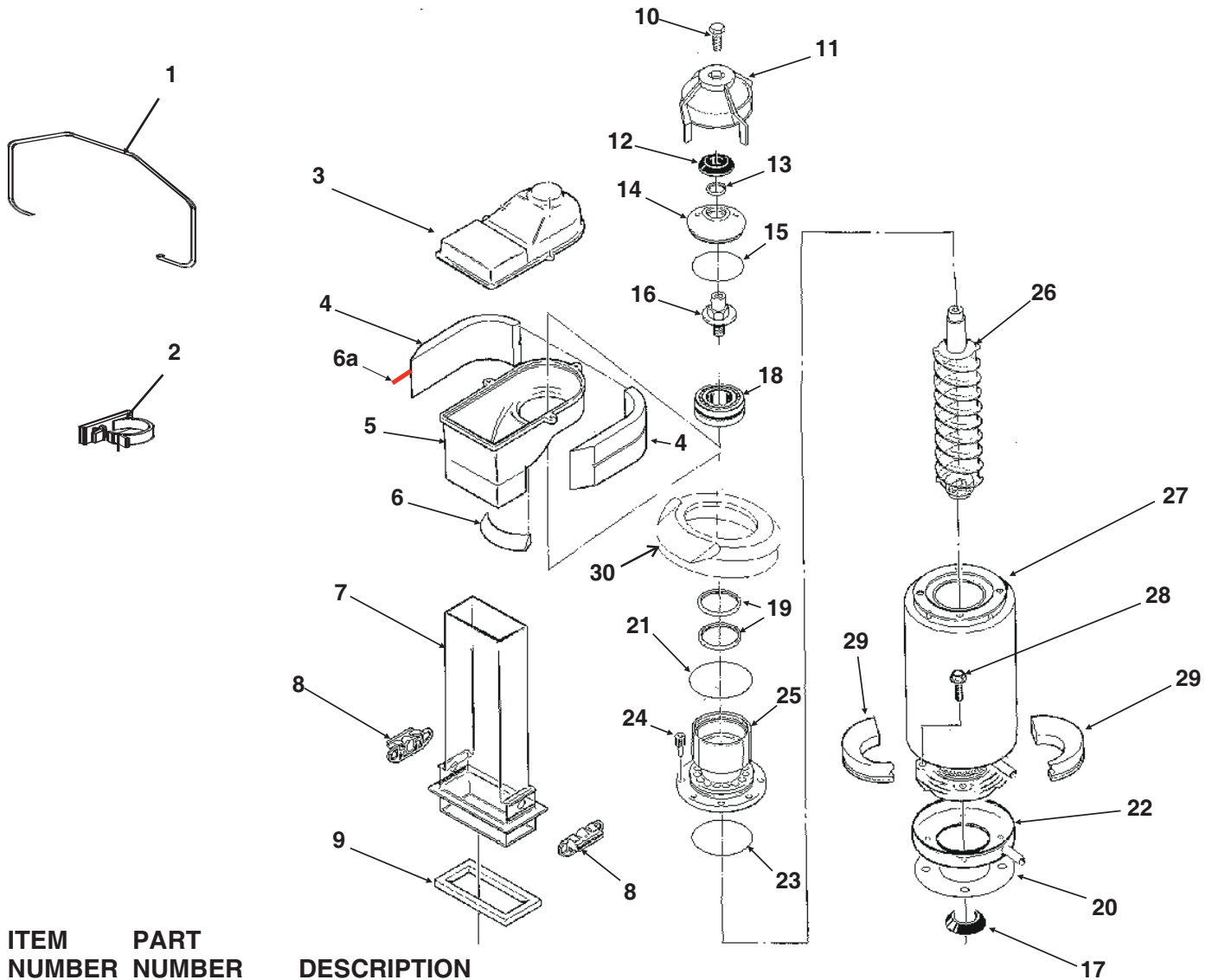
NME1854 & FME2404 SERVICE PARTS

Gearmotor



NME1854 & FME2404 SERVICE PARTS

NME Evaporator

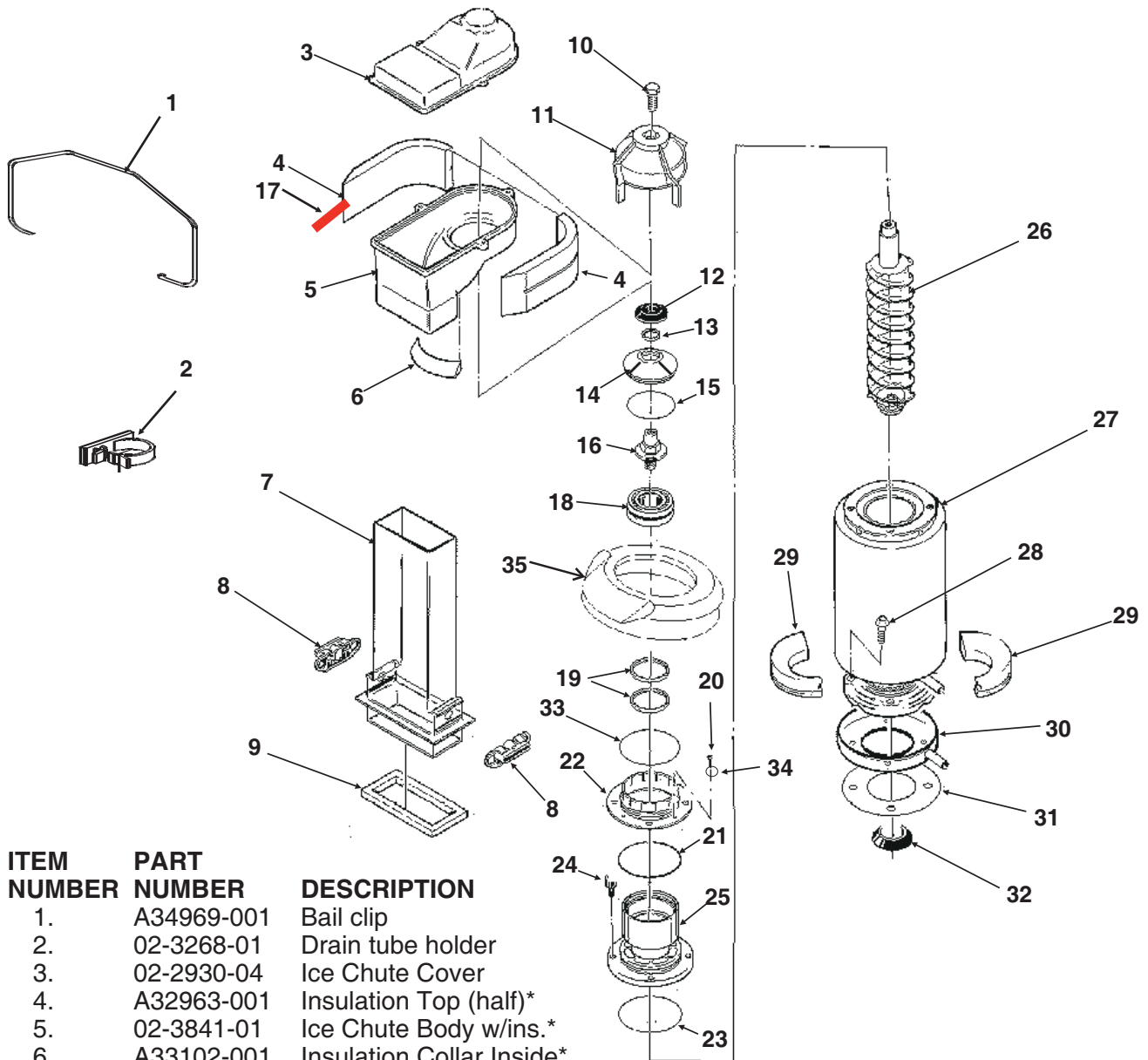


ITEM NUMBER	PART NUMBER	DESCRIPTION
1.	A34969-001	Bail clip
2.	02-3268-01	Drain tube holder
3.	02-2930-04	Ice Chute Cover
4.	A32963-001	Insulation Top (half)*
5.	02-3841-01	Ice Chute Body with ins.*
6.	A33102-001	Insulation Collar Inside*
6a	A35419-020	Strap kit*
7.	02-2929-04	Ice Chute Lower
8.	A37708-021	Bin Controls Assy. (set of 2)
9.	A32930-001	Chute Gasket
10.	03-1405-52	Hex Cap Screw
11.	02-3001-01	Ice Sweep
12.	13-0871-01	Water Shed
13.	02-2978-01	Lip Seal
14.	02-3128-20	Breaker Cover
15.	13-0617-52	O-Ring
16.	08-0660-01	Auger Stud & washer
17.	13-0868-01	Water Shed
18.	A34559-020	Bearing
19.	02-2977-01	Lip Seal
20.	13-0704-00	Drip Pan Gasket
21.	13-0617-54	O-Ring
22.	A37705-021	Drip Pan Kit
23.	13-0617-45	O-Ring
24.	03-1544-08	Soc. Head Screw
25.	A32900-020	Breaker (includes 18 & 19)
26.	A38071-022	Auger
27.	A32890-020	Evaporator
28.	03-1420-03	Cap Screw
29.	A32962-001	Insulation Bot. (half)
30.	13-0929-02	Insulation donut*

* Insulation changed Oct. 2000

NME1854 & FME2404 SERVICE PARTS

FME Evaporator

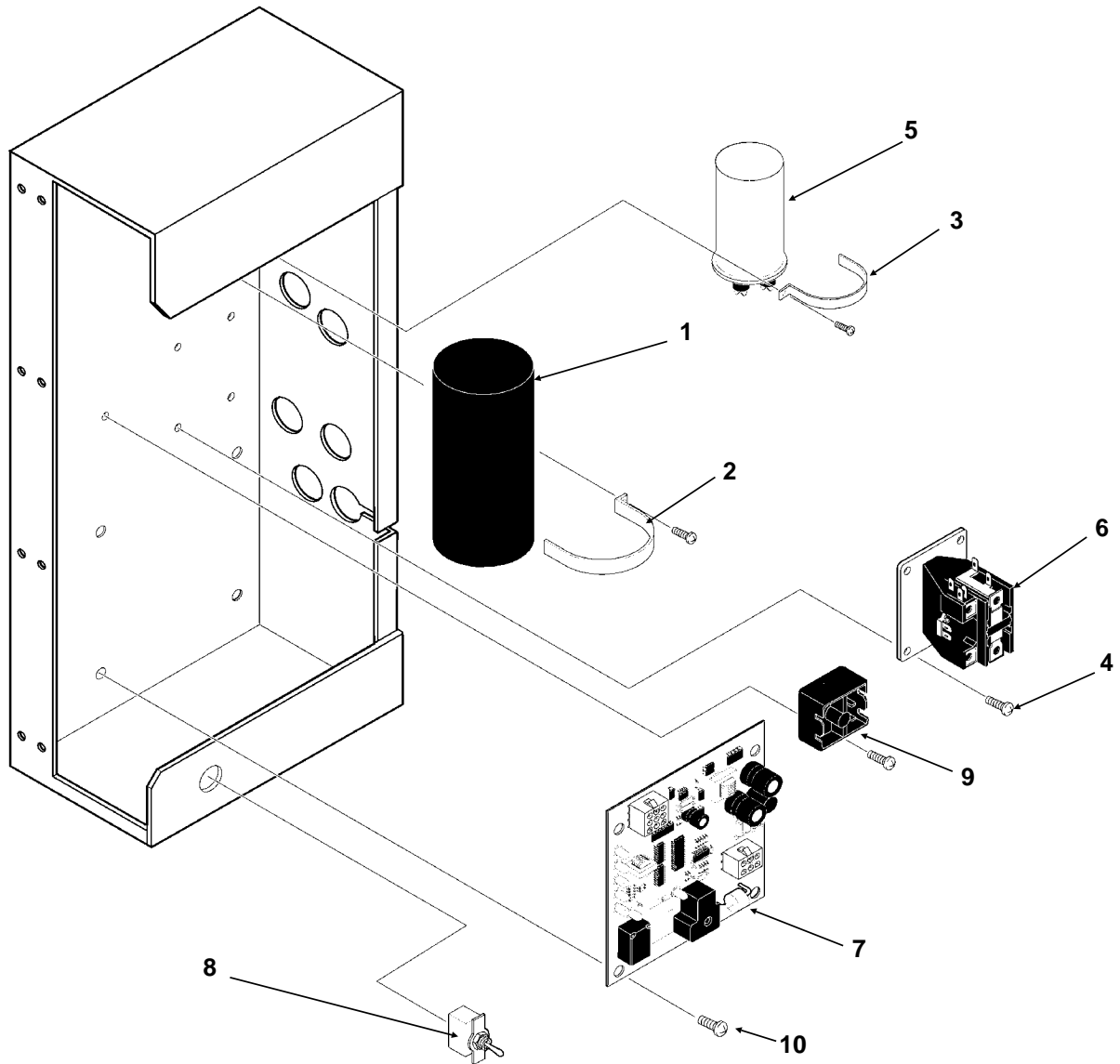


ITEM NUMBER	PART NUMBER	DESCRIPTION
1.	A34969-001	Bail clip
2.	02-3268-01	Drain tube holder
3.	02-2930-04	Ice Chute Cover
4.	A32963-001	Insulation Top (half)*
5.	02-3841-01	Ice Chute Body w/ins.*
6.	A33102-001	Insulation Collar Inside*
7.	02-2929-04	Ice Chute Lower
8.	A37708-021	Bin Controls Assy.
9.	A32930-001	Chute Gasket
10.	03-1405-52	Hex Cap Screw
11.	02-3001-01	Ice Sweep
12.	13-0871-01	Water Shed
13.	02-2978-01	Lip Seal
14.	02-3128-20	Breaker Cover
15.	13-0617-54	O-Ring
16.	08-0660-01	Auger Stud, thrust Washer
17.	A35419-020	Strap kit*
18.	A34559-020	Bearing
19.	02-2977-01	Lip Seal
20.	03-1405-27	Screw
		21. 13-0617-52 O-Ring
		22. 02-2916-01 Slotted Collar
		23. 13-0617-45 O-Ring
		24. 03-1544-08 Soc. Head Screw
		25. A34505-020 Breaker (Divider)
		(includes 18 & 19)
		26. A38071-022 Auger
		27. A32890-020 Evaporator
		28. 03-1420-03 Cap Screw
		29. A32962-001 Insulation Bot. (half)
		30. A37705-021 Drip Pan kit
		31. 13-0704-00 Drip Pan Gasket
		32. 13-0868-01 Water Shed
		33. 13-0617-49 O-Ring
		34. 03-1408-36 Washer
		35. 13-0929-01 Insulation donut*

* Insulation changed Oct. 2000

NME1854 & FME2404 SERVICE PARTS

Control Box



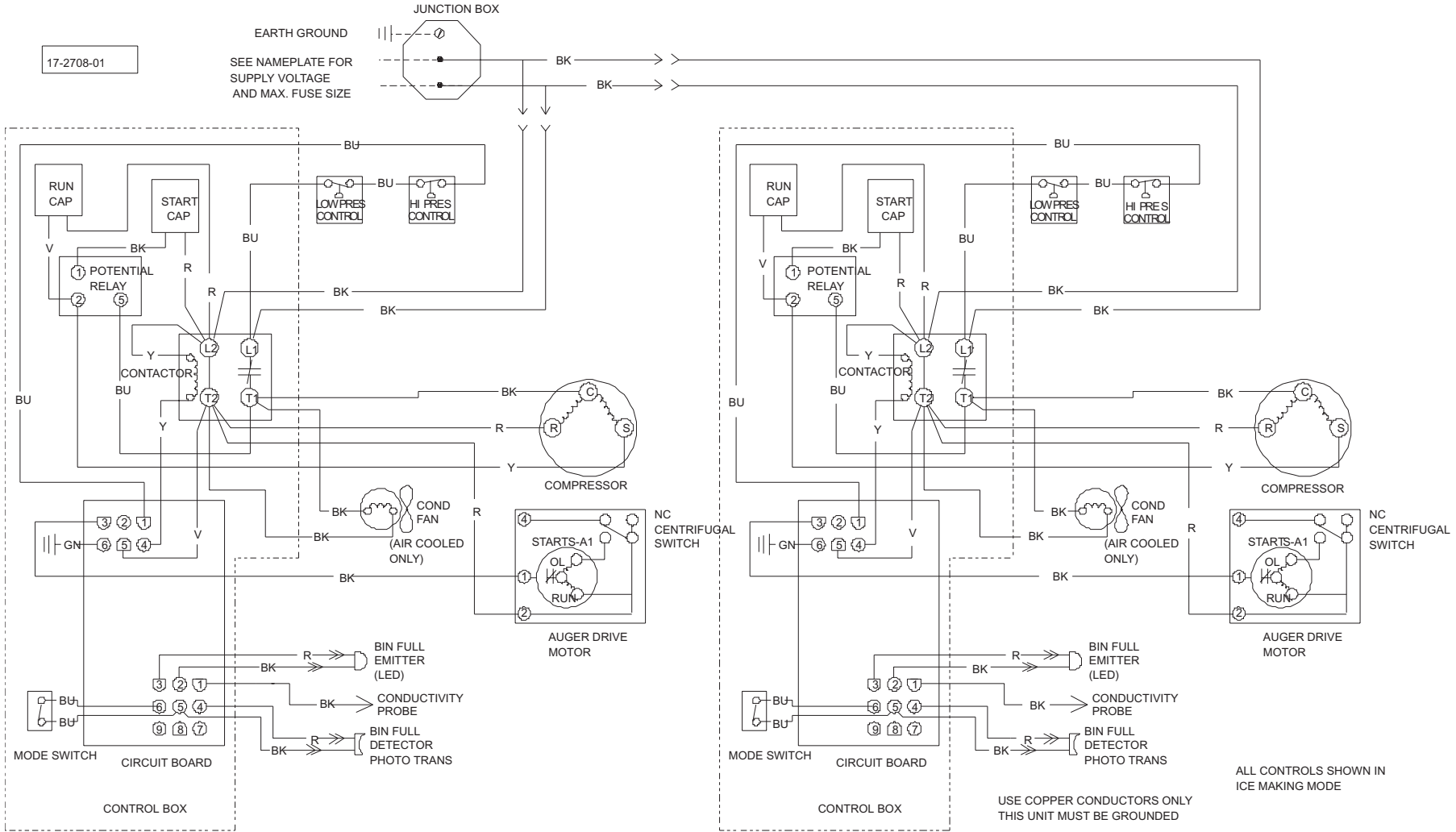
ITEM NUMBER	PART NUMBER	DESCRIPTION	ITEM NUMBER	PART NUMBER	DESCRIPTION
1	18-1901-54	Start Capacitor, 60 Hz	7	12-2835-21	Circuit Board
	18-1901-53	Start capacitor, 50 Hz	8.	12-0426-02	Mode Switch
2.	A35971-001	Start Capacitor Bracket	9.	18-1903-33	Potential Relay 60 Hz
3.	A35971-002	Run Cap Bracket		18-1903-29	Potential relay, 50 Hz
4.	03-1638-03	Screw	10	12-2350-01	Stand off
5.	18-1902-45	Run Capacitor, 60 Hz		NOT ILLUSTRATED	
	18-1902-53	Run capacitor, 50 Hz			
6.	12-2469-02	Single Phase Contactor	11	A37861-001	Control Box Cover
	12-2533-02	Three Phase Contactor			

NME1854 & FME2404 SERVICE PARTS

AIR AND WATER COOLED, 208-230/60/1

17-2708-01

EARTH GROUND
SEE NAMEPLATE FOR
SUPPLY VOLTAGE
AND MAX. FUSE SIZE



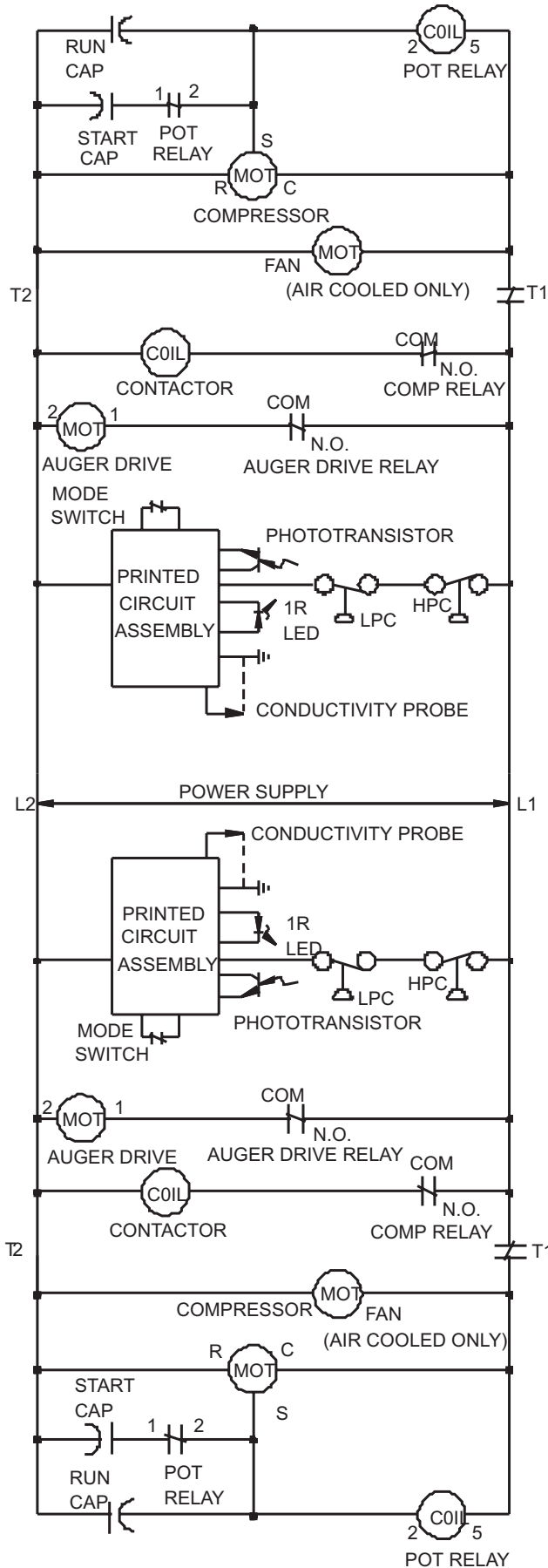
USE COPPER CONDUCTORS ONLY
THIS UNIT MUST BE GROUNDED

ALL CONTROLS SHOWN IN
ICE MAKING MODE

January 2000
Page 10

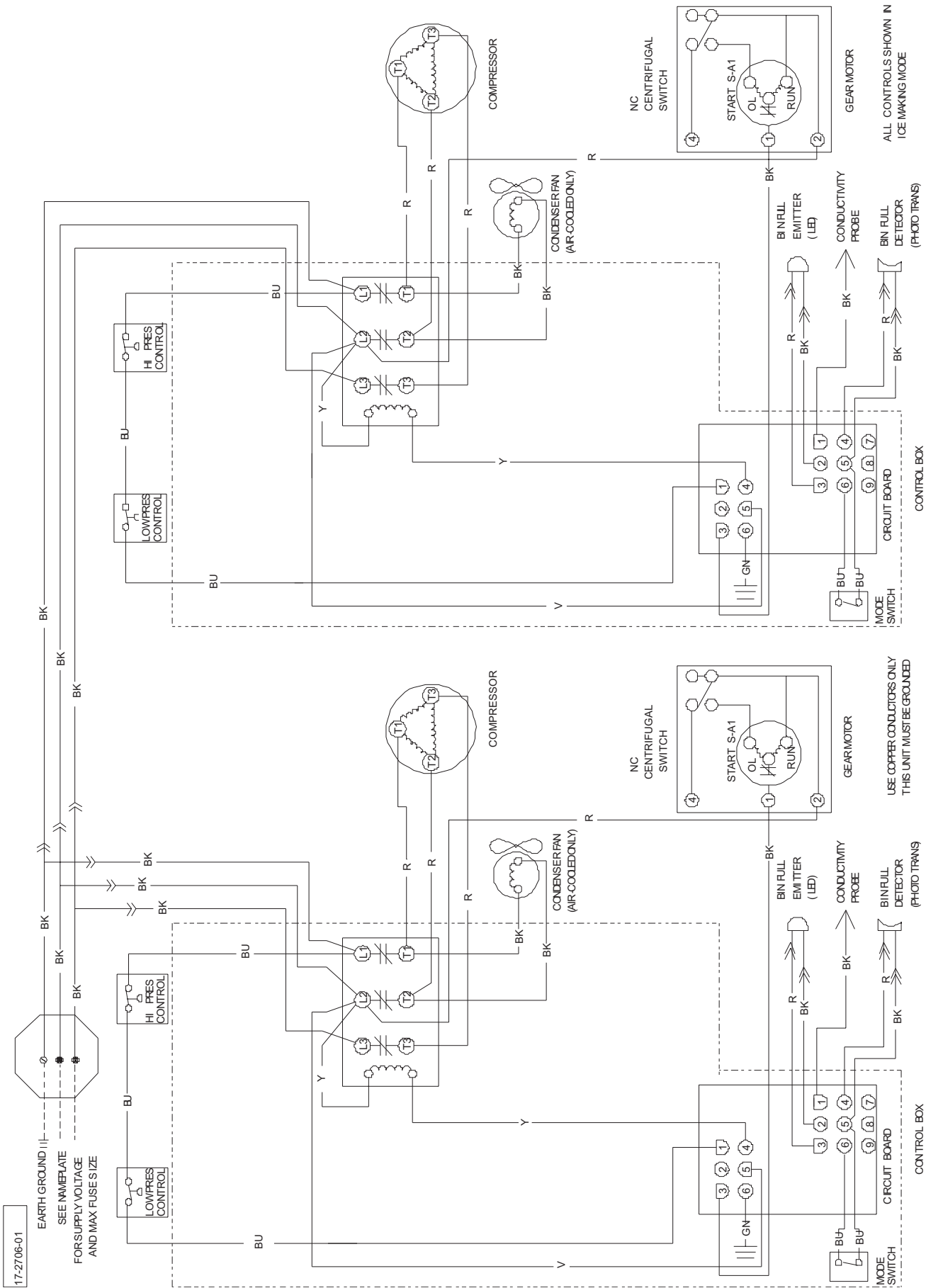
NME1854 & FME2404 SERVICE PARTS

AIR AND WATER COOLED, 208-230/60/1



NME1854 & FME2404 SERVICE PARTS

AIR AND WATER COOLED, 208-230/60/3



17-2706-01

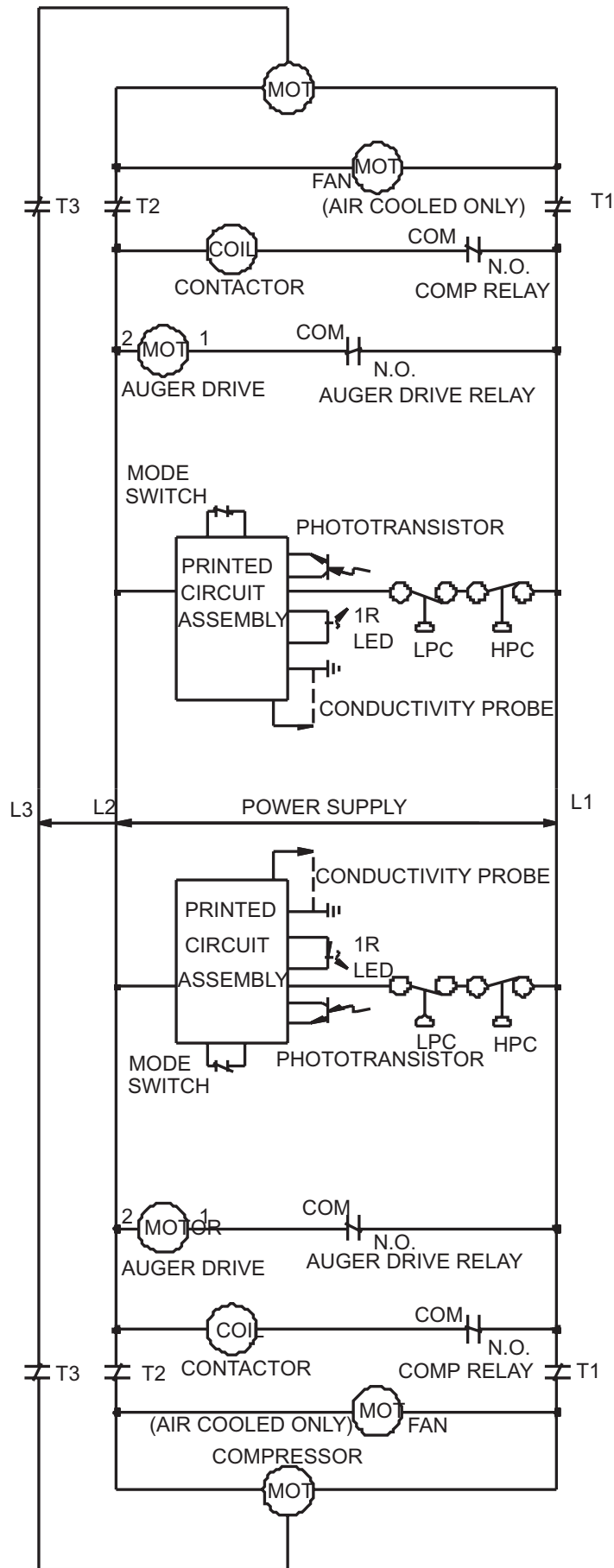
EARTH GROUND
SEE NAMEPLATE
FOR SUPPLY VOLTAGE
AND MAX FUSE SIZE

ALL CONTROLS SHOWN IN
ICE MAKING MODE

USE COPPER CONDUCTORS ONLY
THIS UNIT MUST BE GROUNDED

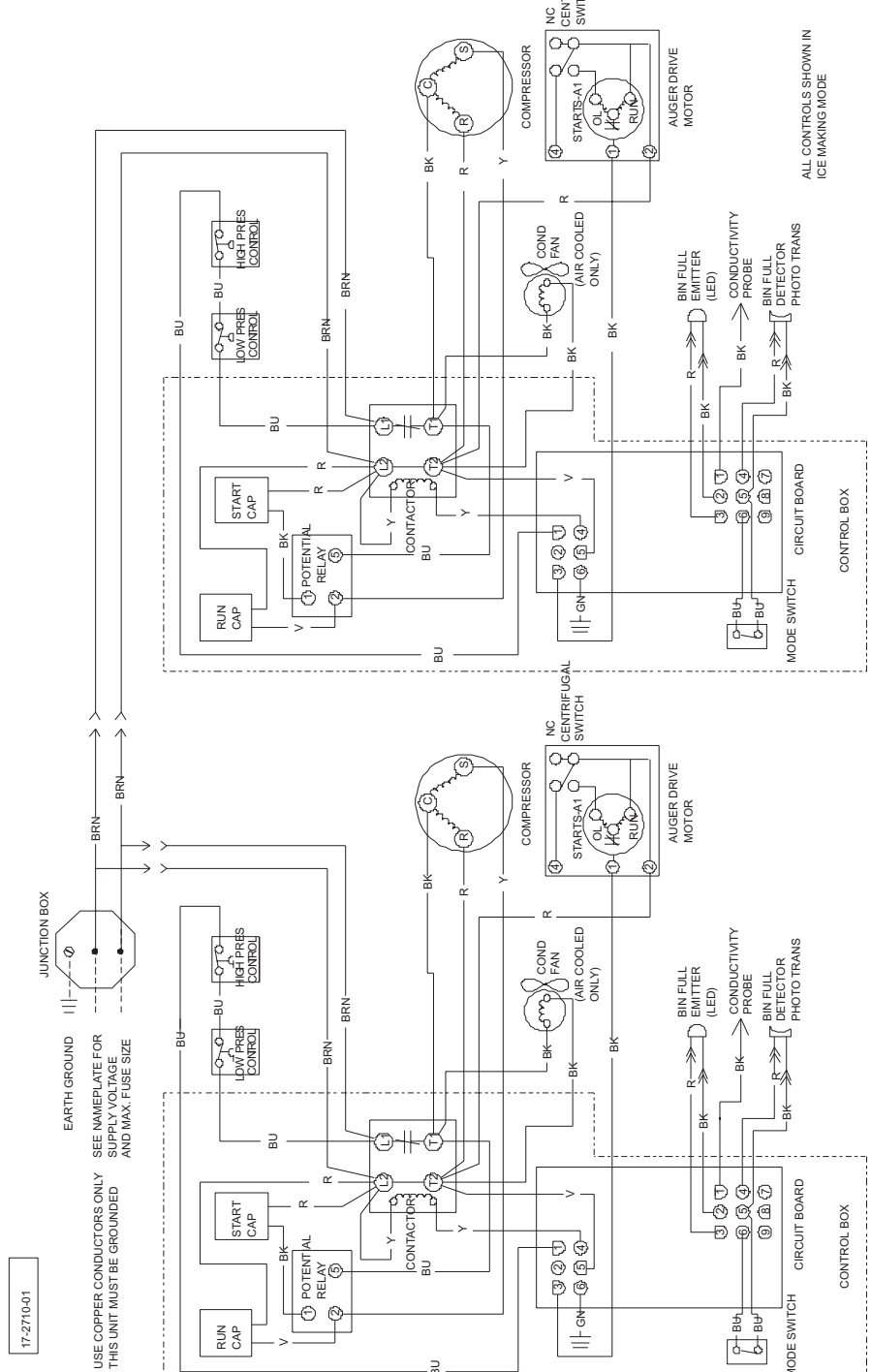
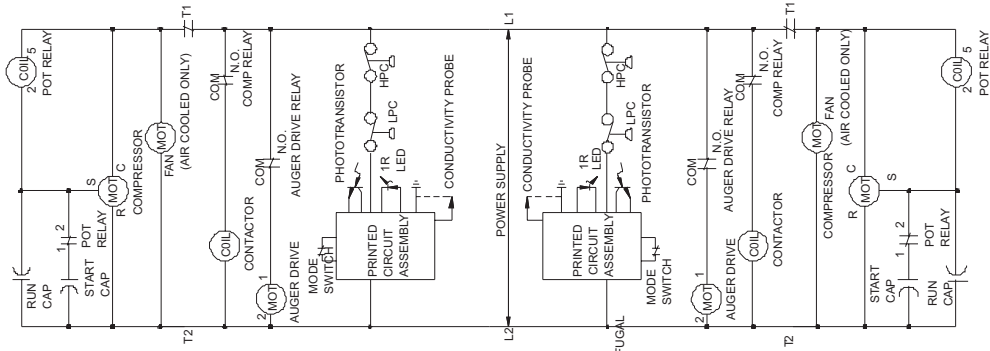
NME1854 & FME2404 SERVICE PARTS

AIR AND WATER COOLED, 208-230/60/3



NME1854 & FME2404 SERVICE PARTS

230/50/1



17-2710-01

EARTH GROUND
 SEE NAMEPLATE FOR
 SUPPLY VOLTAGE
 AND MAX. FUSE SIZE

ALL CONTROLS SHOWN IN
 ICE MAKING MODE