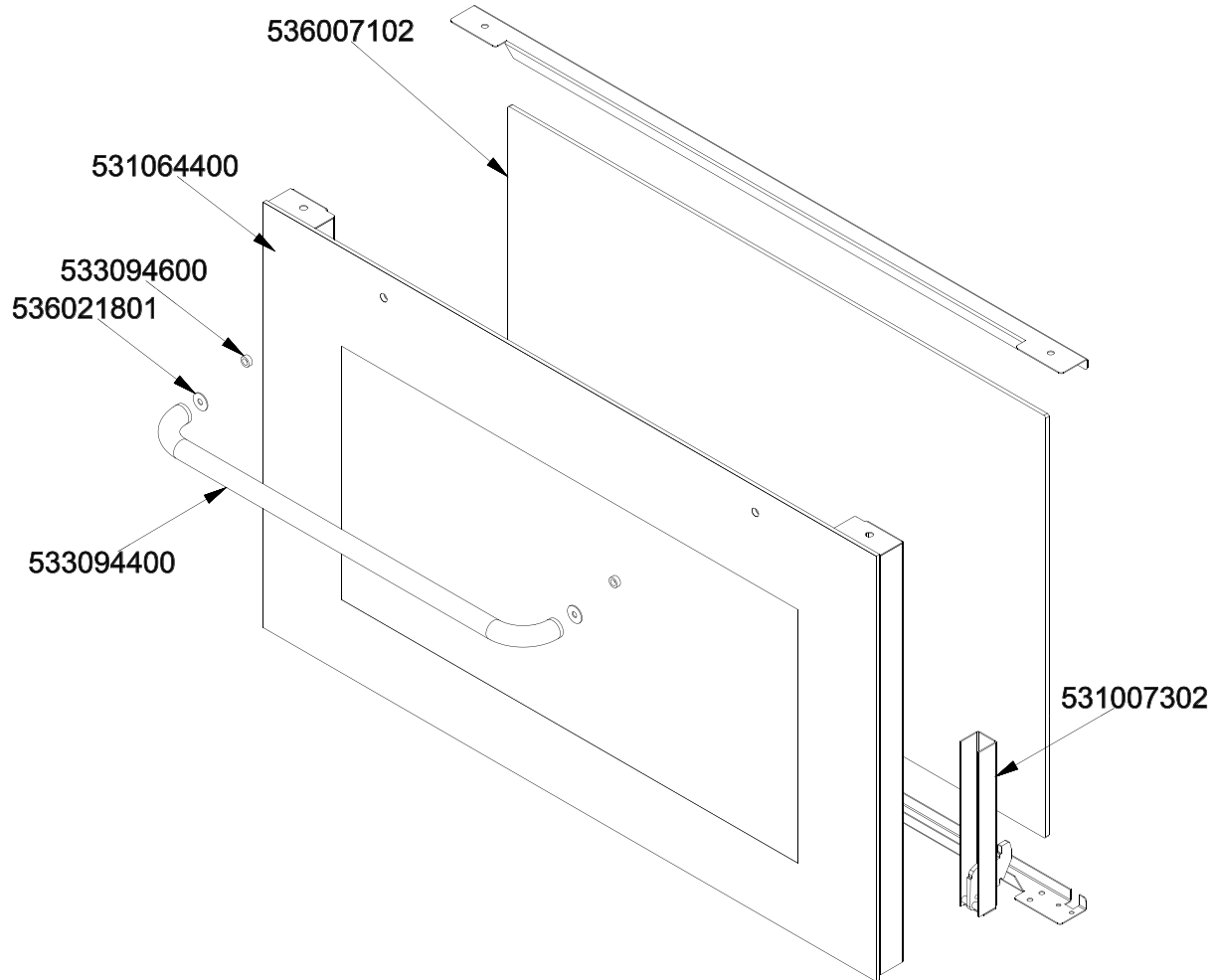
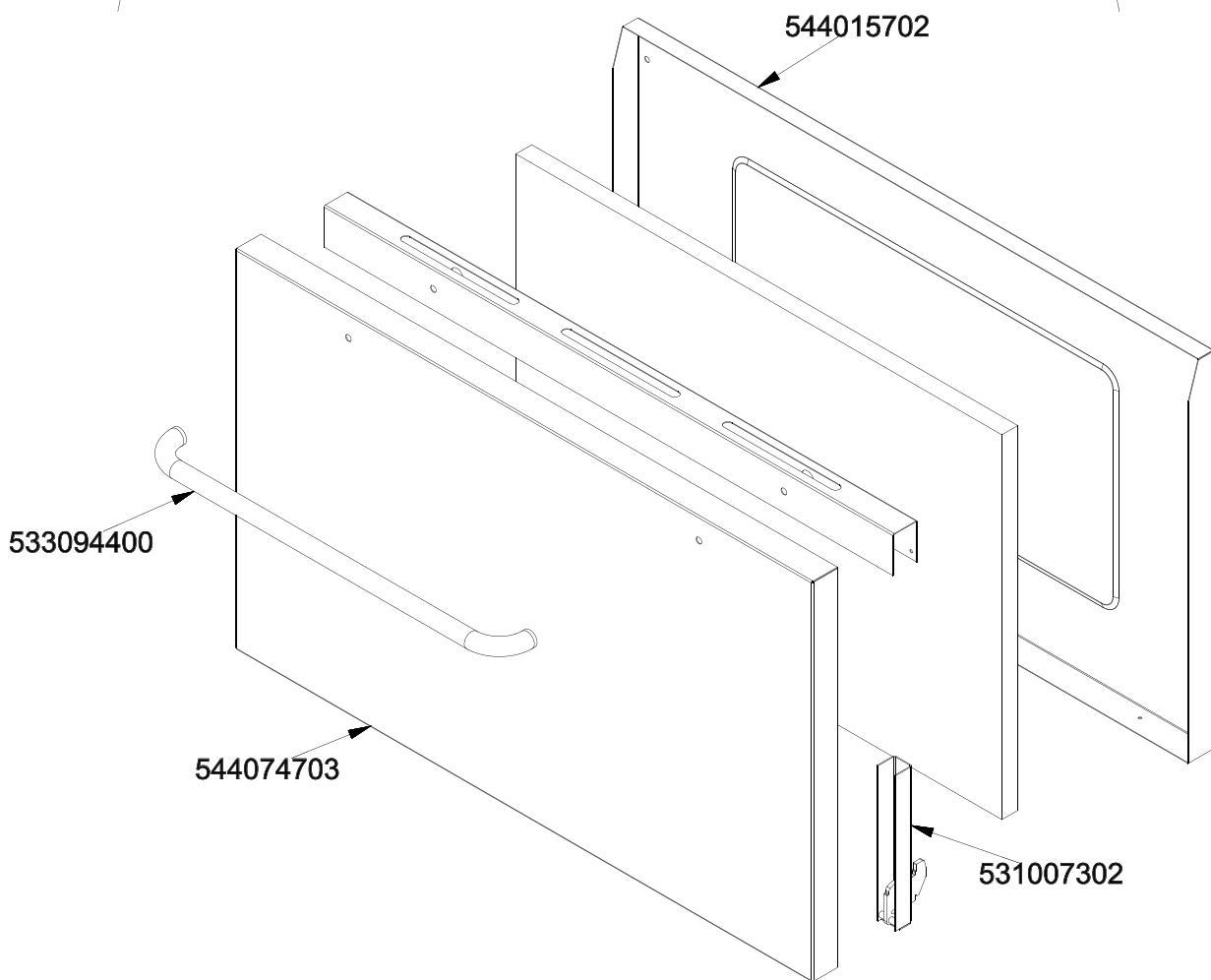


531009602



531012702



531009601

544015900 N° ≤ 0602
544015901 N° ≥ 0603

536007100 N° ≤ 0602
536007101 N° ≥ 0603

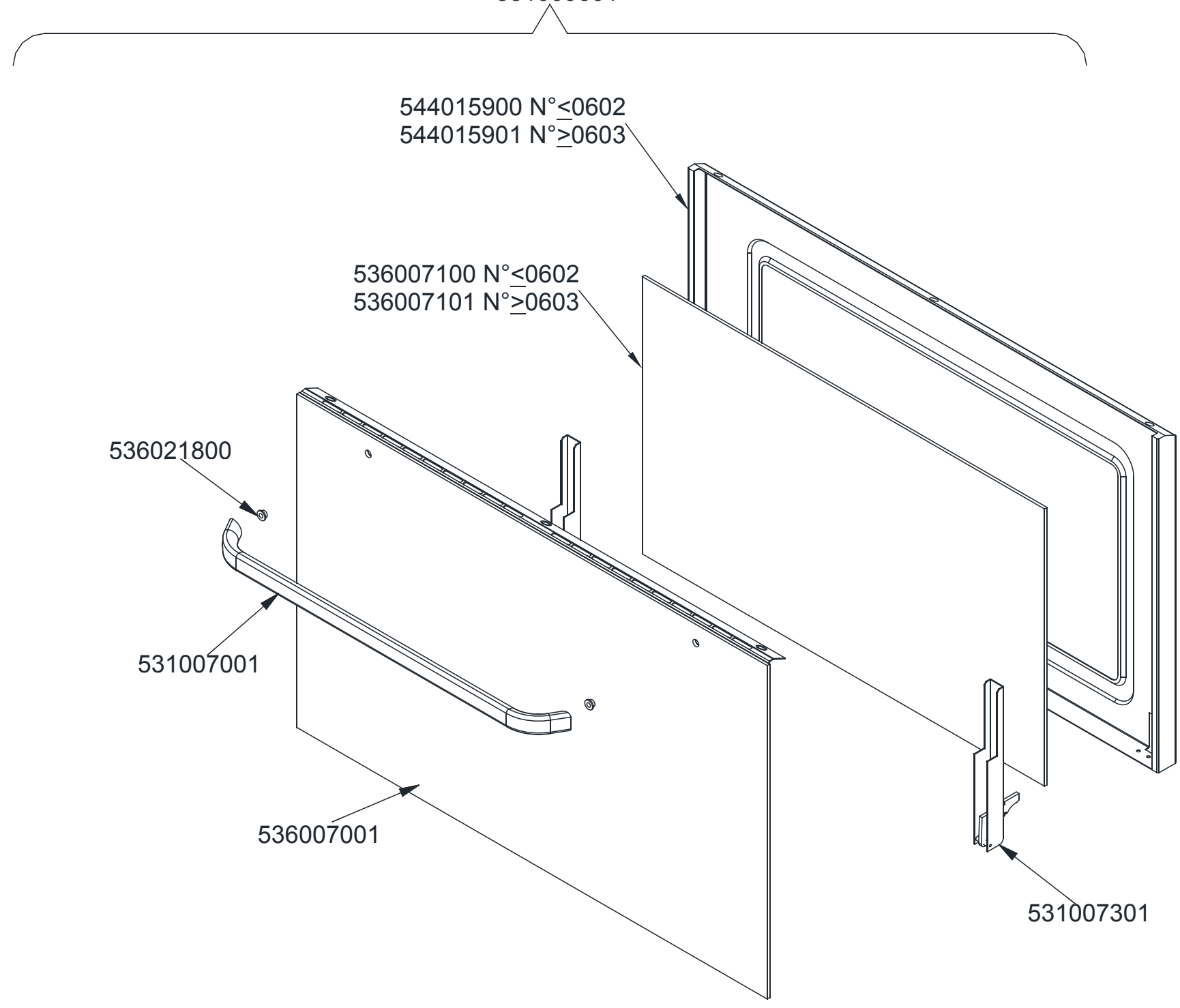
536021800

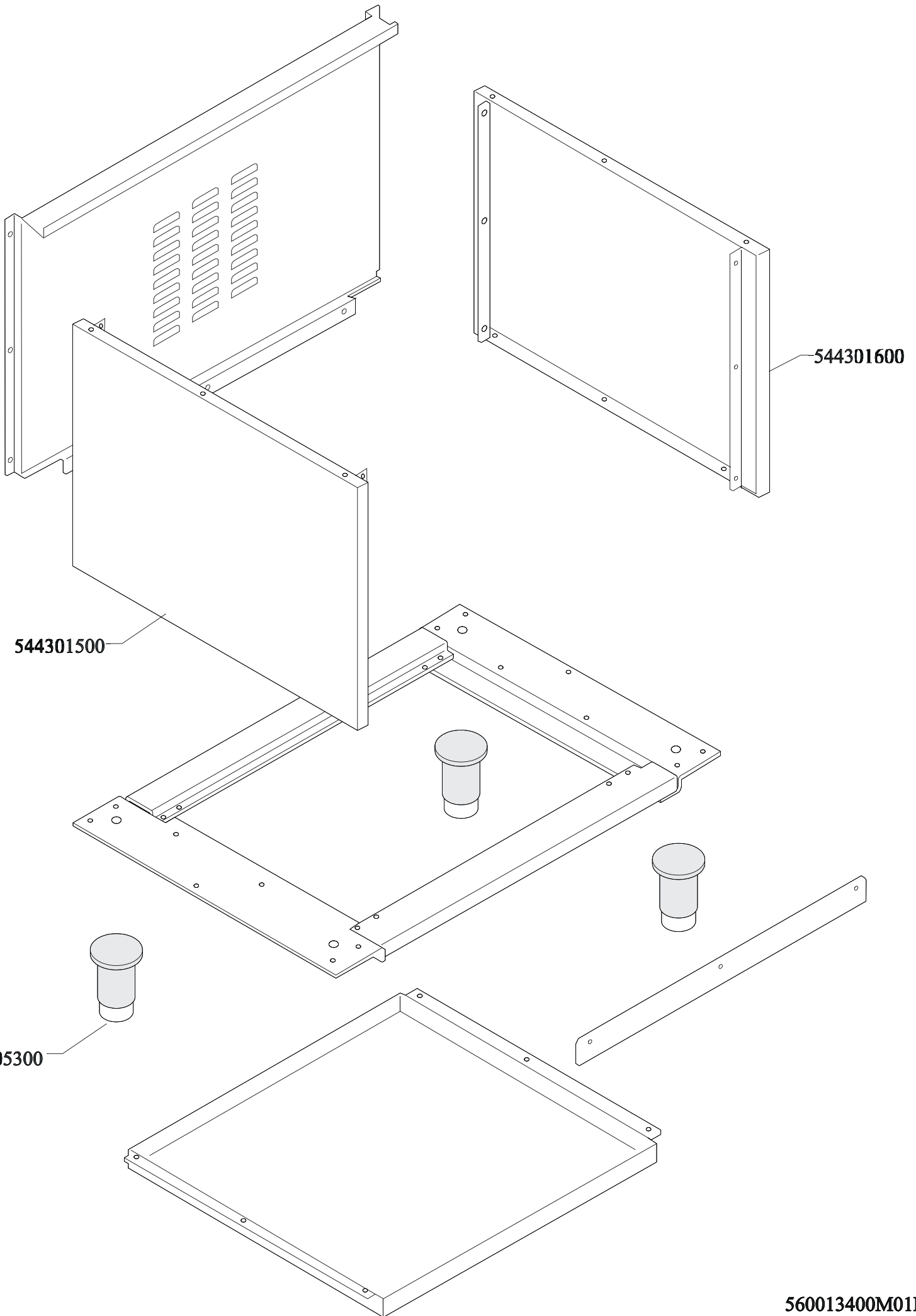
531007001

536007001

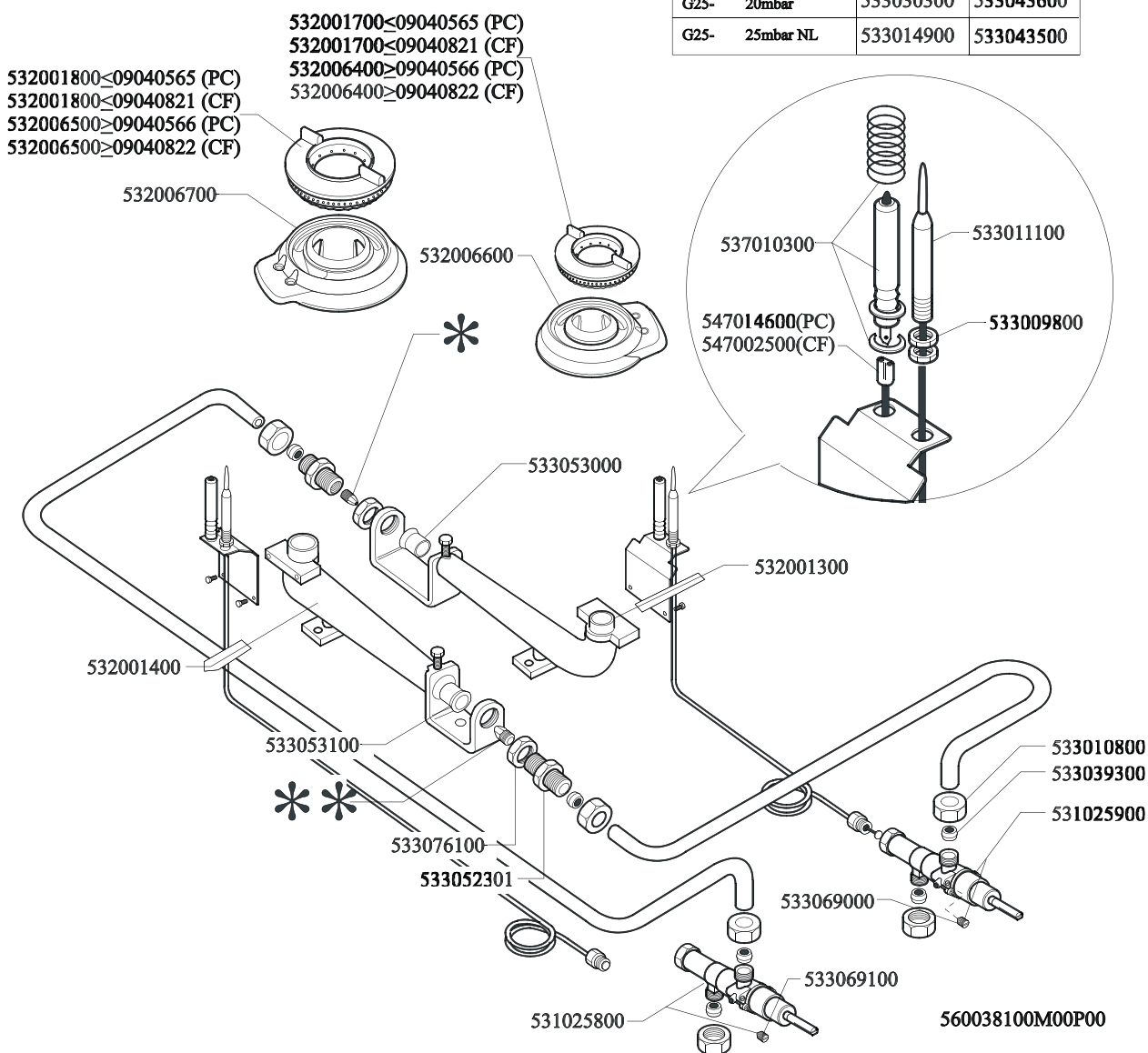
531007301

560025300M01P00





	*	**
G30- 28+30mbar G31- 37mbar	533015400	533043400
G30- 50mbar	533015300	533043300
G20- 20mbar G25- 25mbar	533015200	533019400
G25- 20mbar	533030300	533043600
G25- 25mbar NL	533014900	533043500



Page	Pos	Code	Description
001		533009200	REDUCTION GRATE FOR 65-70LINES+FO
001		532002300	1 FLAME GRILL 346X274 (70
001		532005901	1 FLAME GRILL 340X270 (65) * RAF
001		544288900	UPPER PLATE PC-8G
001		544263500	RIGHT SIDE S.65
001		544300800	ENAMELLED BURNER DRIP PAN 1/1
001		544498800	BURNERS BASIN OF PC GN1/1 SM.N.RAF
001		544498801	
001		544293700	CONTROL PANEL CF4-8GEM
001		544302001	CONTROL PANEL CF4-8GEMS (STAT.OVEN
001		539018900	INDEX FOR KNOB W/RED SIGN
001		536017100	BLACK KNOB §70 PIN §8*6,5
001		539022500	ADHESIVE GRADUATED DISC FOR KNOB
001		537007600	TERMINAL BLOCK SINGLEPHASE 40A
001		544263600	LEFT SIDE S.65
001		537015600	BIPOLAR SWITCH
002		537001600	THERMOSTAT 50-320°C SINGLEPHASE
002		539028000	SELECTOR SIGN PLATE FOR OVEN
002		537005700	OVEN COMMUTATOR CF-8/10 EL.
002		539023900	SIGN PLATE FOR OVEN TEMPERATURE
002		539023800	LABEL FOR OVEN TIMER
002		536013800	KNOB D.70 BLACK 6*5 WITH SPRING
002		537035600	OVEN COMMUTATOR * EL. 60+65LINES
002		537014100	WHITE WARNING LIGHT 250V
002		537019101	THERMOSTAT MONOPHAS.050-320°C F.MF
002		539023100	ADHESIVE GRADUATED DISC FOR MAXI OV
002		537014200	GREEN WARNING LIGHT 250V
002		539007200	ADHESIVE GRADUATE F.MAXI-EL.STAT.OV
002		533037600	LOCK SPRING FOR BULB
002		537006200	UPPER OVEN HEATING EL.3000W 230V
002		534009100	GRILL PROTECTION CF-8/10
002		537019300	TIMER FOR MULTIFUNCTION OVEN
002		534009101	
002		537019301	TIMER ELECT.120' 4 T.F. MF
002		537005400	OVEN BULB 15W 300°C
002		539023400	ADHESIVE GRADUATED DISC F.KNOB
002		537007900	OVEN BULB-SOCKET WITH LAMP
002		539023501	ADHESIVE GRAD.DISC *E.MULTIF.TERM.
002		536011300	OVEN GASKET 65/60 *OLD MODEL*
002		531012401	OVEN DOOR WHEEL HOLDER F.CF-8/10
002		533095900	PIN FOR GRIDSHOLDER SUPPORT CF 60
002		531006700	OVEN GRID FOR CF-8/10
002		534002200	OVEN DRIPPING-PAN CF-8/10
002		531013600	SIDE GRID FOR MAXI/VENTILATED OVEN
002		533079700	LOCK SPRING FOR BULB §3/§4
002		531012402	DOOR WHEEL HOLDER FOR MAXI OVEN
002		537006300	LOWER OVEN HEATING EL.W1600 230CF8/
002		536011301	GASKET FOR MAXI 60T-OVEN L=1980
002		531057900	LHD GRIDS HOLDER FOR MAXI-OVEN
002		531006701	MAXI OVEN GRID FOR S60/65
002		531057800	RHD GRIDS HOLDER FOR MAXI-OVEN

Page	Pos	Code	Description
002		537006301	COVERED HEATING ELEMENT MAXI OVEN
003		539028000	SELECTOR SIGN PLATE FOR OVEN
003		539023900	SIGN PLATE FOR OVEN TEMPERATURE
003		539023800	LABEL FOR OVEN TIMER
003		537035600	OVEN COMMUTATOR * EL. 60+65LINES
003		536013800	KNOB D.70 BLACK 6*5 WITH SPRING
003		537019101	THERMOSTAT MONOPHAS.050-320°C F.MF
003		539007200	ADHESIVE GRADUATE F.MAXI-EL.STAT.OV
003		537014100	WHITE WARNING LIGHT 250V
003		537014200	GREEN WARNING LIGHT 250V
003		537019300	TIMER FOR MULTIFUNCTION OVEN
003		537019301	TIMER ELECT.120' 4 T.F. MF
003		539023400	ADHESIVE GRADUATED DISC F.KNOB
003		539023501	ADHESIVE GRAD.DISC *E.MULTIF.TERM.
003		537006200	UPPER OVEN HEATING EL.3000W 230V
003		533095900	PIN FOR GRIDSHOLDER SUPPORT CF 60
003		534009100	GRILL PROTECTION CF-8/10
003		537007900	OVEN BULB-SOCKET WITH LAMP
003		533079700	LOCK SPRING FOR BULB §3/§4
003		531012402	DOOR WHEEL HOLDER FOR MAXI OVEN
003		536011301	GASKET FOR MAXI 60T-OVEN L=1980
003		531057900	LHD GRIDS HOLDER FOR MAXI-OVEN
003		531006701	MAXI OVEN GRID FOR S60/65
003		531057800	RHD GRIDS HOLDER FOR MAXI-OVEN
003		537006300	LOWER OVEN HEATING EL.W1600 230CF8/
003		537006301	COVERED HEATING ELEMENT MAXI OVEN
004		531009602	GLASS DOOR FOR MAXI OVEN OF 600LINE
004		536007102	INTERNAL GLASS OVEN DOOR MAXI
004		531064400	EXTERNAL GLASS MAXI OVEN DOOR+FRAME
004		533094600	BUSH P.F. 60-LINE
004		536021801	DOOR HANDLE SPACER FOR MAXI OVEN
004		533094400	S/S OVEN DOOR HANDLE FOR 60T-LINE
004		531007302	DOOR HINGE FOR MAXI OVEN 60.LINE
004		531012702	STAINLESS STEEL OVEN DOOR 60 LINE
004		544015702	INNER-DOOR FOR MAXI OVEN OF 60LINE
004		544074703	S/S MAXI OVEN DOOR PANEL
005		544015900	INNER GLASSDOOR OF MAXI OVEN
005		544015901	INNER-DOOR FOR MAXI OVEN *GLASS*
005		536007100	INTERNAL GLASS OVEN DOOR CF-8/10
005		536007101	VETRO I.P.F.S60 MAXI 370X620 (S
005		536021800	DOOR HANDLE SPACER FOR MAXI OVEN
005		531007001	OVEN GLASS DOOR HANDLE CF-8/10
005		536007001	EXTERNAL GLASS OVEN DOOR CF8/10
005		531007301	DOOR HINGE FOR MAXI OVEN CF-8/10
006		544301600	RIGHT SIDE FOR 65 RANGE
006		544301500	LEFT SIDE FOR 65 RANGE
006		536005300	PLASTIC LED 2"
007		532001700	QUICKBURNER §82
007		532006400	QUICKBURNER 2 RING Ø082 3 Z
007		532001800	QUICKBURNER §102
007		532006500	QUICKBURNER 2 RING Ø102 3 Z

Page	Pos	Code	Description
007		532006700	BURNER BODY 5,5 KW WITH PLUG
007		532006600	BURNER BODY 3,5 KW WITH PLUG
007		533011100	THERMOCOUPLE 750 M8*1
007		537010300	IGNITION PLUG WITH SPRING PC65
007		547014600	HIGH-VOLTAGE CABLE208X0,8.TUB.§2 L8
007		533053000	AIR ADJUSTMENT BUSHING §18
007		532001300	BURNER VENTURI 3,5 KW
007		532001400	BURNER VENTURI 5,5 KW
007		533053100	AIR ADJUSTMENT BUSHING §20
007		533076100	HEXAGONAL NUT M14X1 H4 + BUSHING
007		533052301	JOINT FOR NOZZLE HOLDER
007		533010800	TUBE NUT D.10 M16*1,5
007		533039300	BICONE §10
007		531025900	SAFETY TAP 20S-B PEL20S21070
007		533069000	BY PASS COCK §70 20S-21S
007		533069100	BY PASS COCK §60 20S
007		531025800	SAFETY TAP 20S-B PEL20S2160
007		533015400	NOZZLE §93 CH12*14 G-PC4 R
007		533015300	NOZZLE §82 CH12*14 F-PC4 R
007		533015200	NOZZLE §145 CH12*14 F-FP/CP6
007		533030300	NOZZLE §160 CH12*14 M-FPG
007		533014900	NOZZLE §150 CH12*14 F-FQ5 L-FQ6
007		533043400	NOZZLE §117 CH12*14 G-PC4 UR
007		533043300	NOZZLE §103 CH12*14 F-PC4 UR
007		533019400	NOZZLE §180 CH12*14 L-FQ5
007		533043600	NOZZLE §200 CH12*14 L-PC4 UR
007		533043500	NOZZLE §190 CH12*14 G25 PC4R