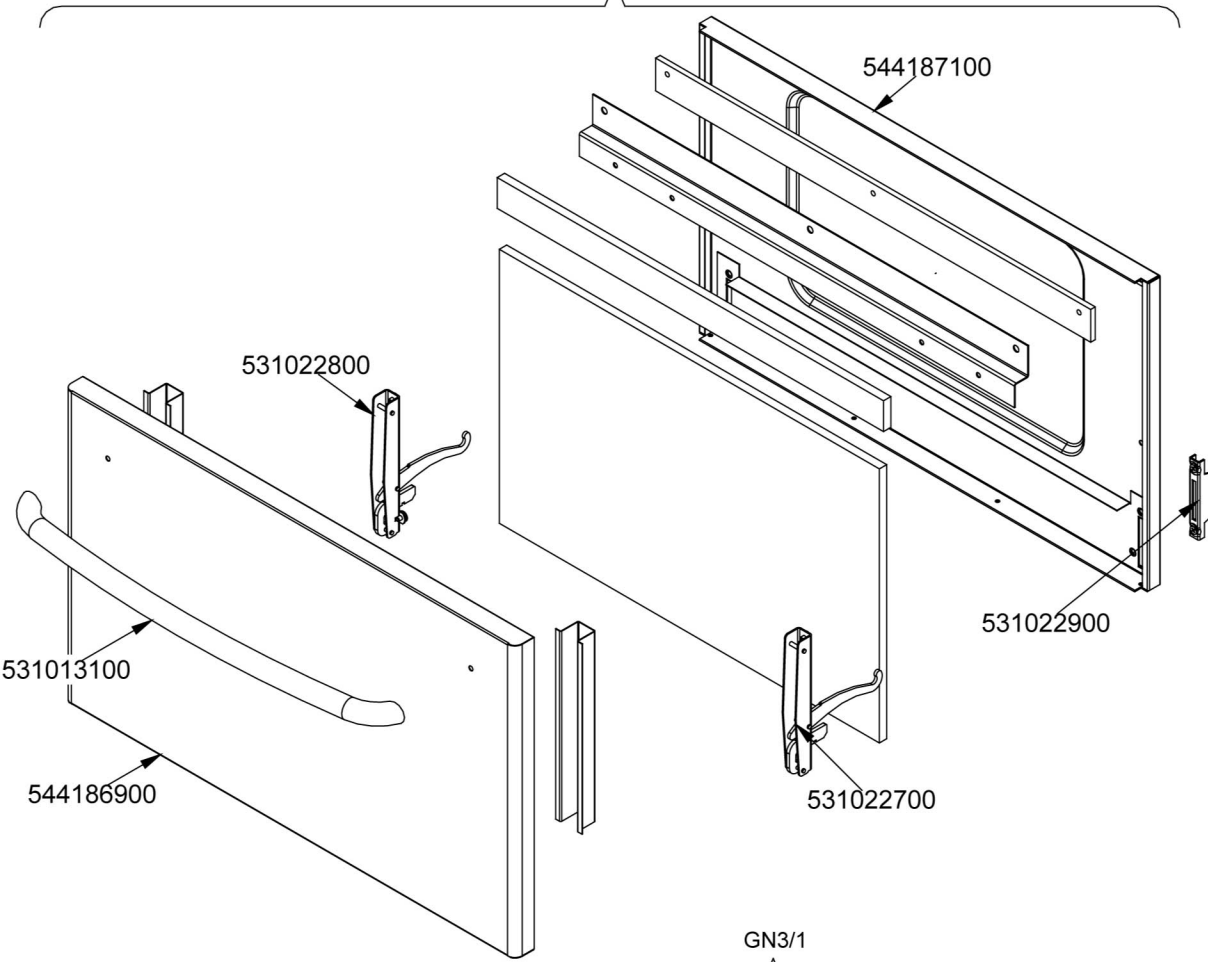
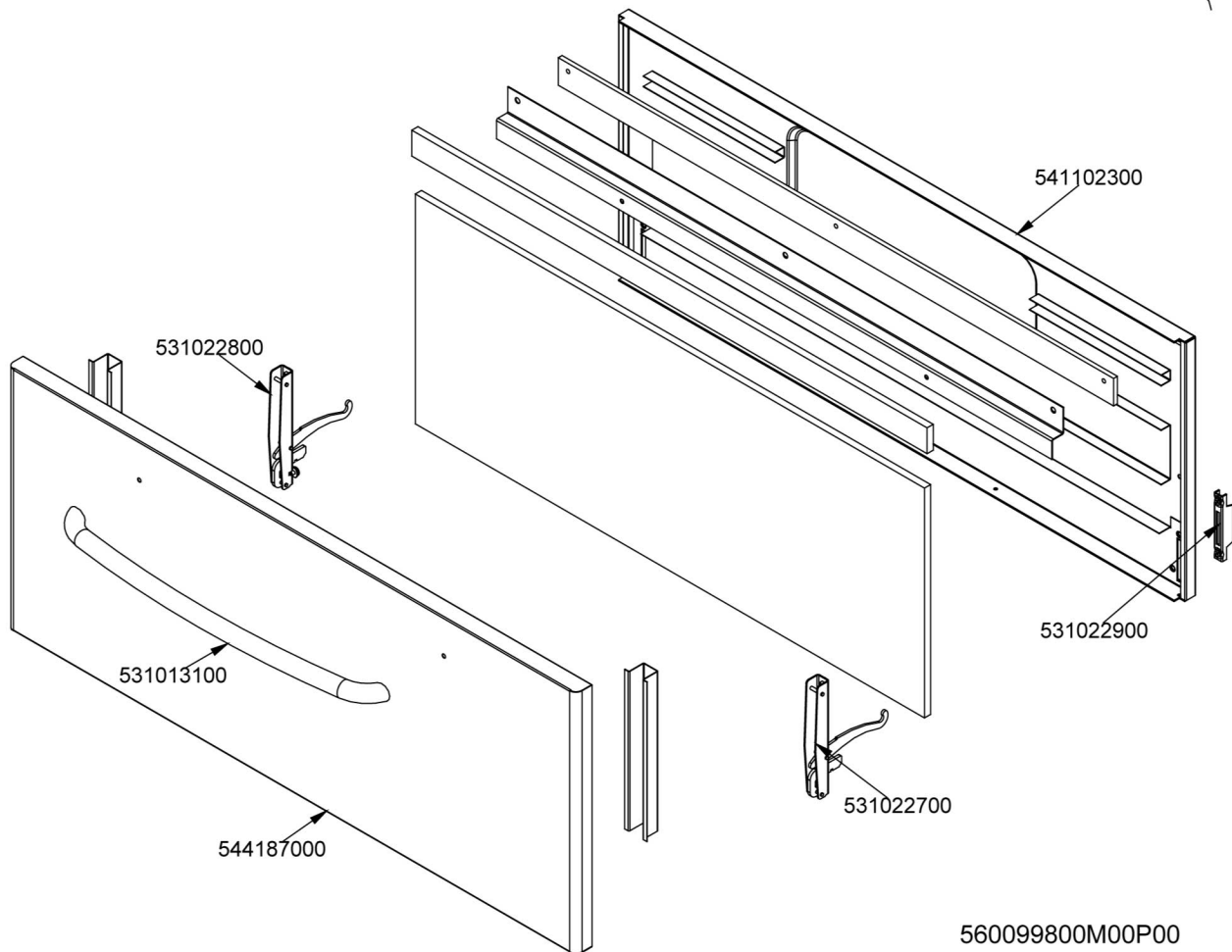


GN2/1

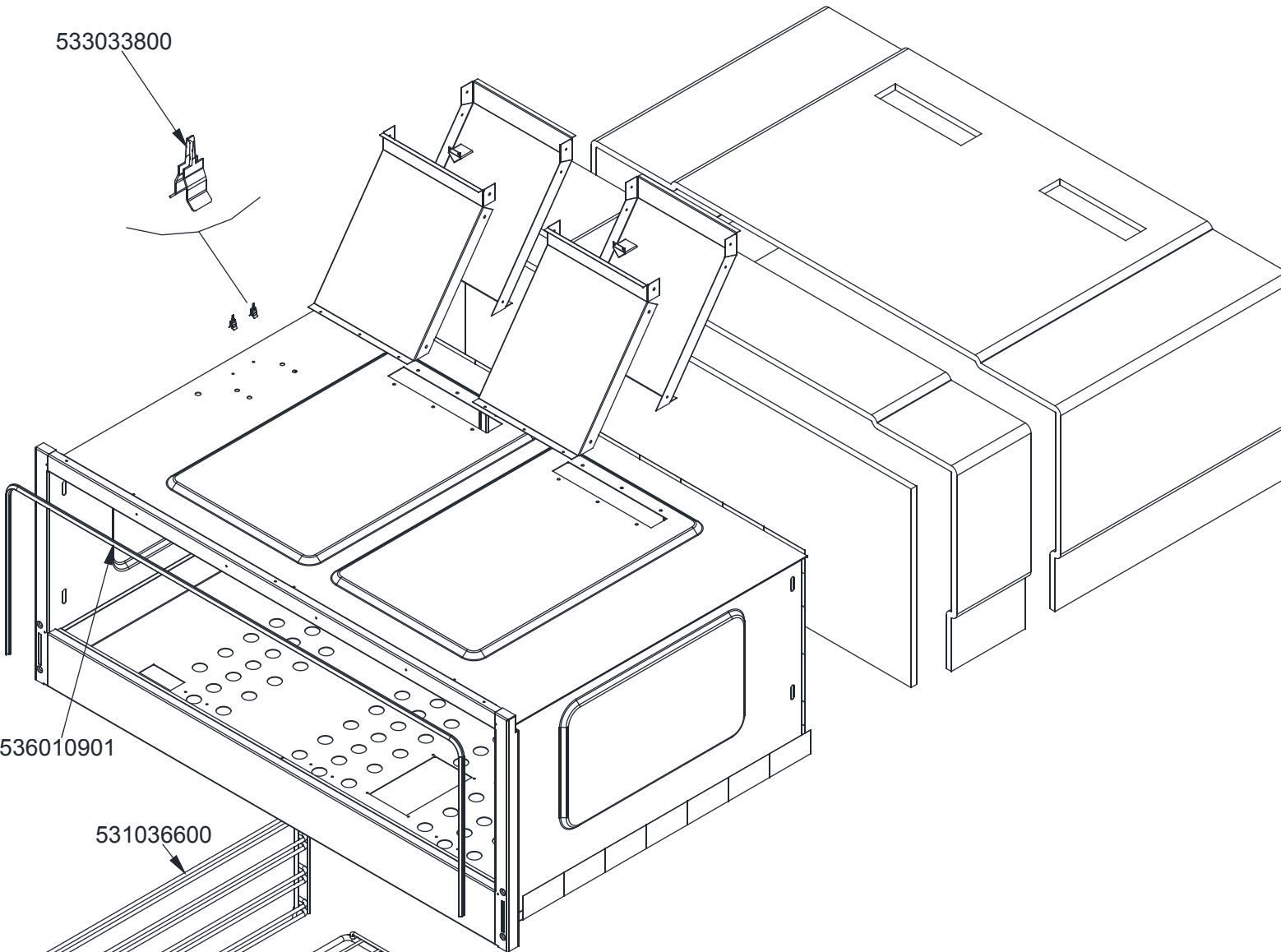
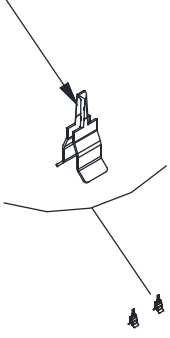


GN3/1



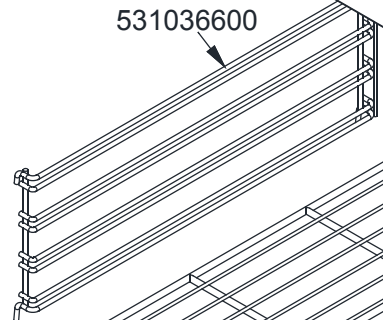
560099800M00P00

533033800



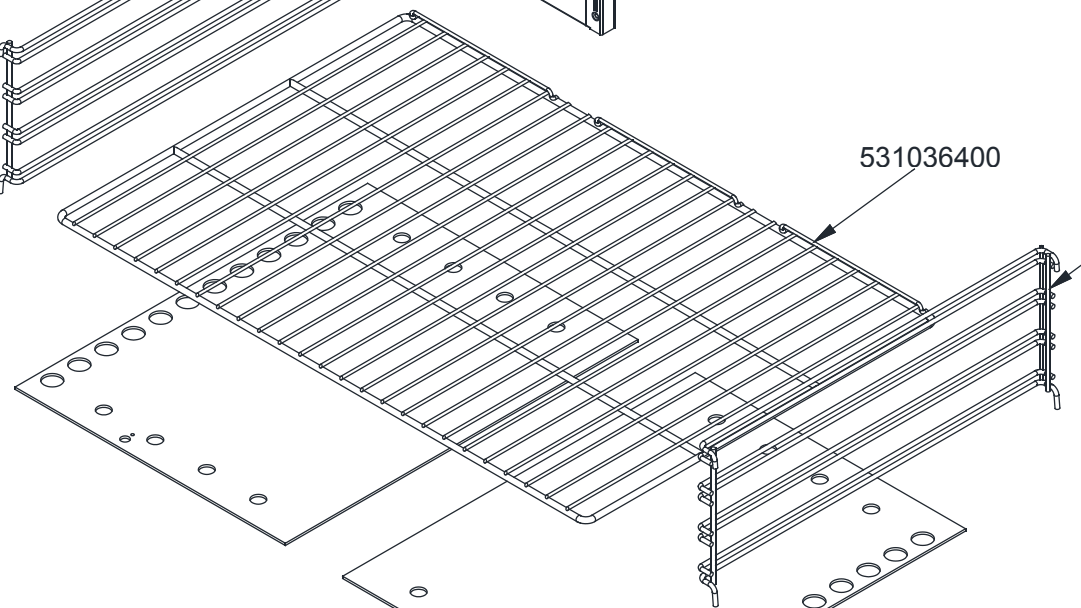
536010901

531036600



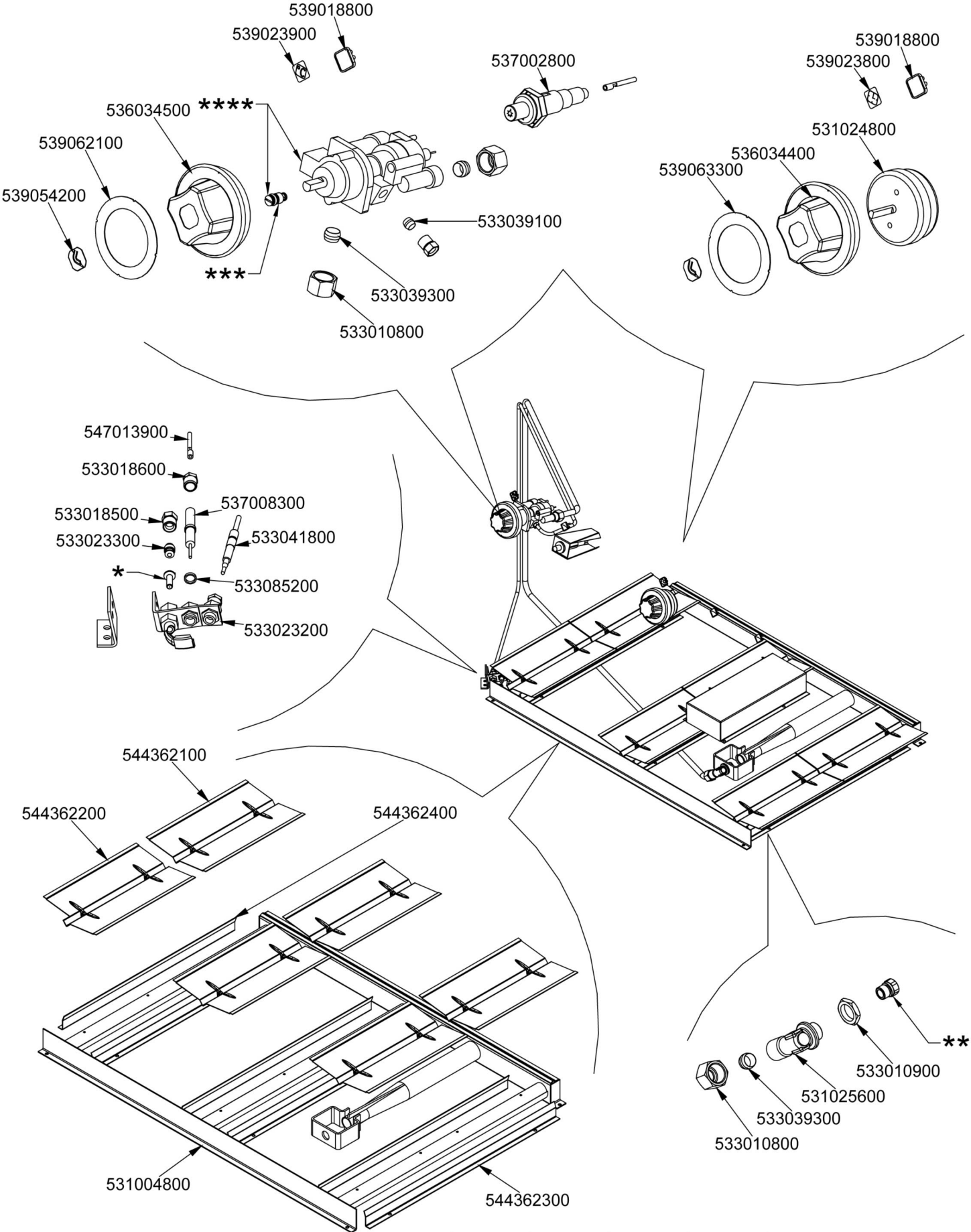
531036400

531036500

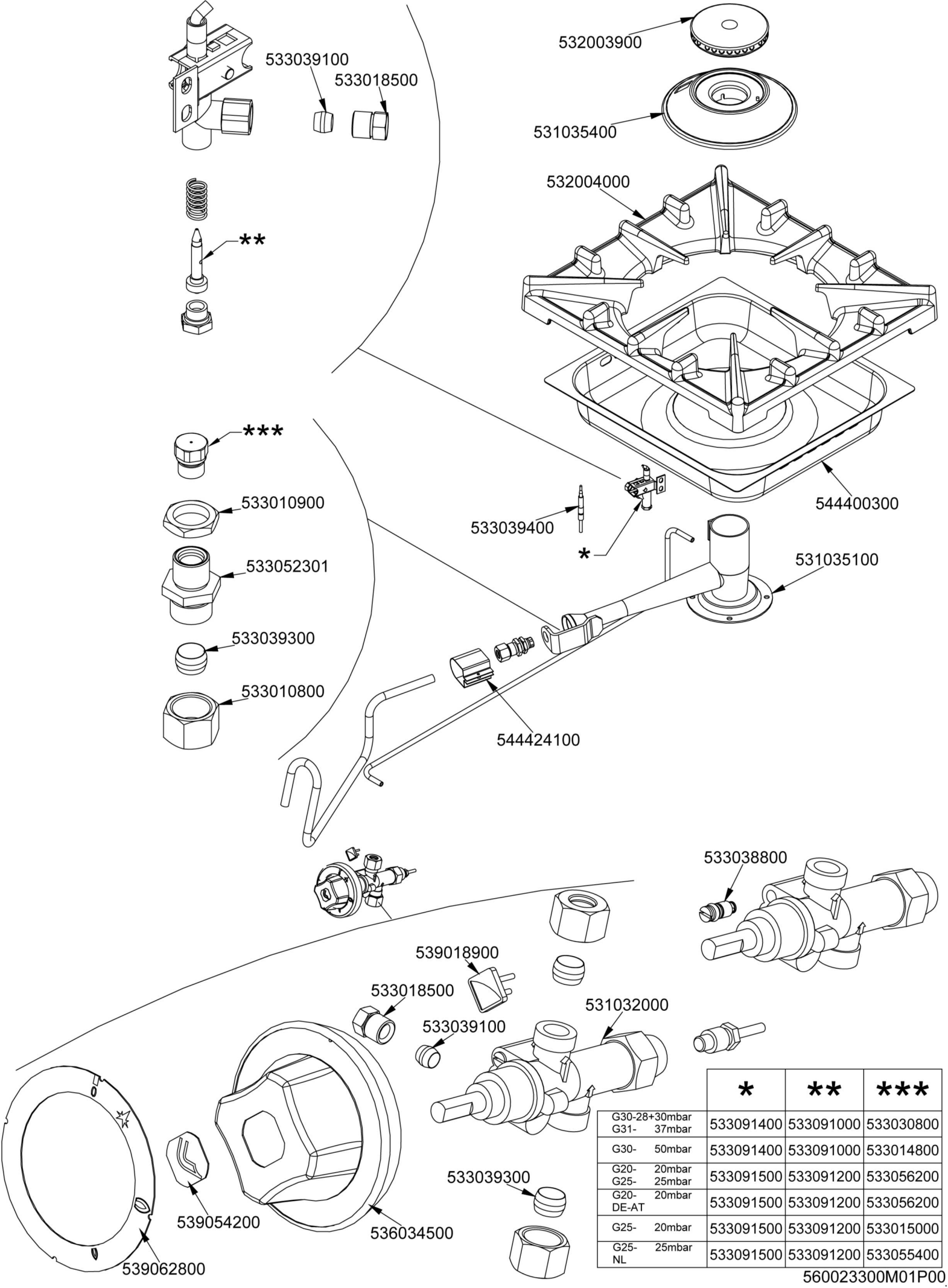


544410000

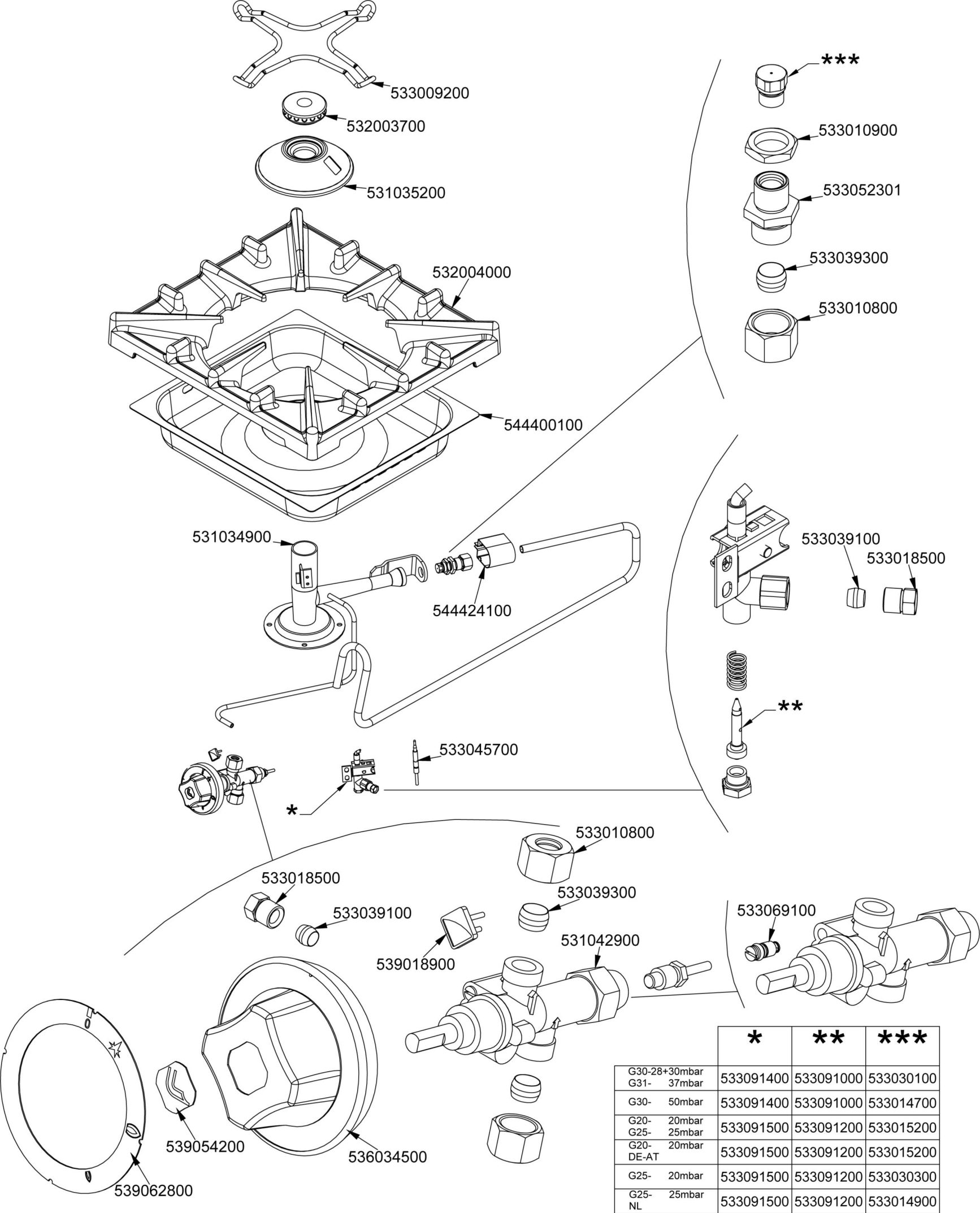
560019800M00P00



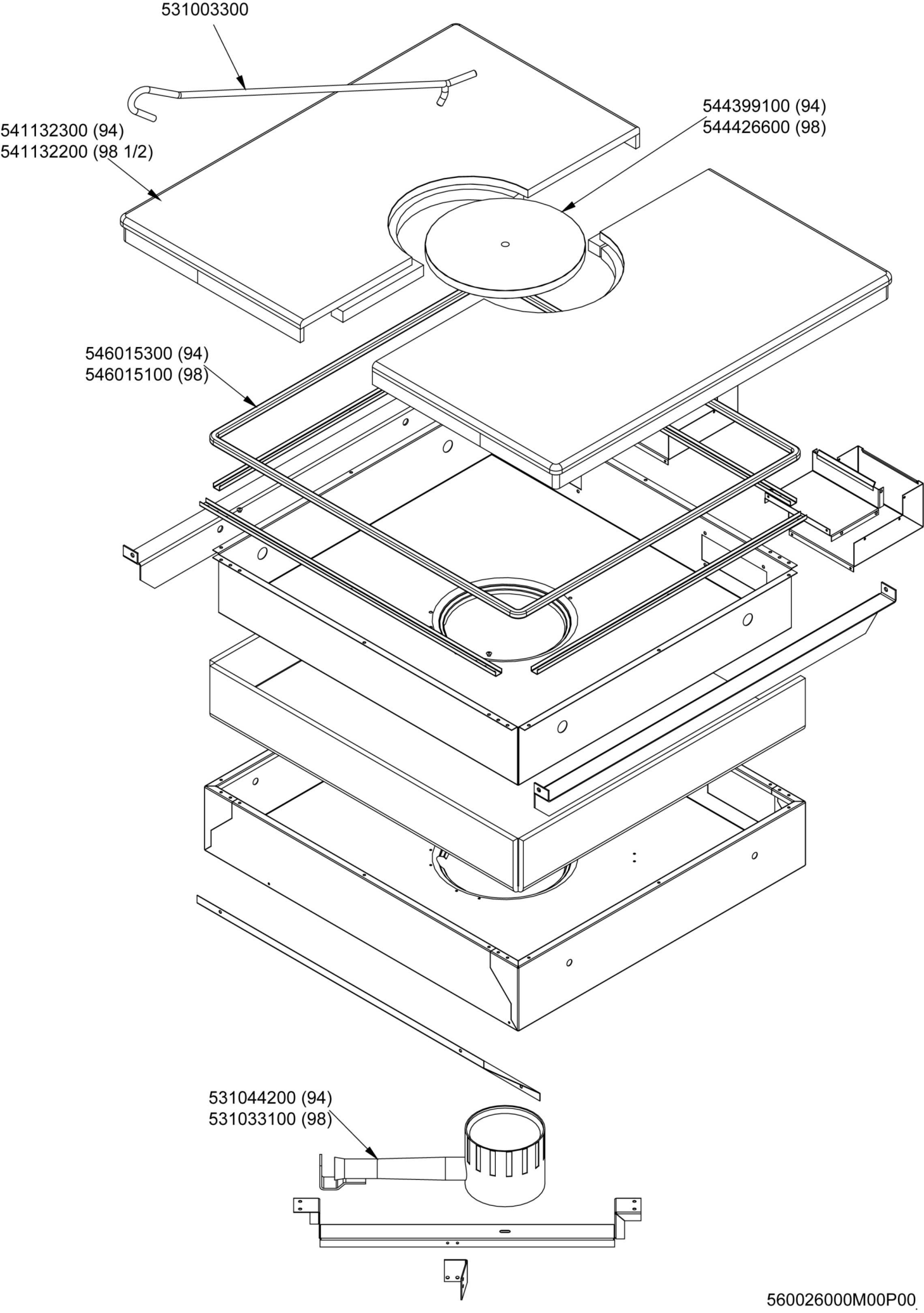
	*	**	***	****
G30-28+30mbar G31- 37mbar	533020500	533019400	533069300	531034000
G30- 50mbar	533020500	533030300	533069500	531033900
G20- 20mbar G25- 25mbar	533020600	533055700	533069300	531034000
G20- 20mbar DE-AT	533020600	533055700	533069500	531033900
G25- 20mbar	533020600	533056400	533069500	531033900
G25- 25mbar NL	533020600	533056000	533069300	531034000



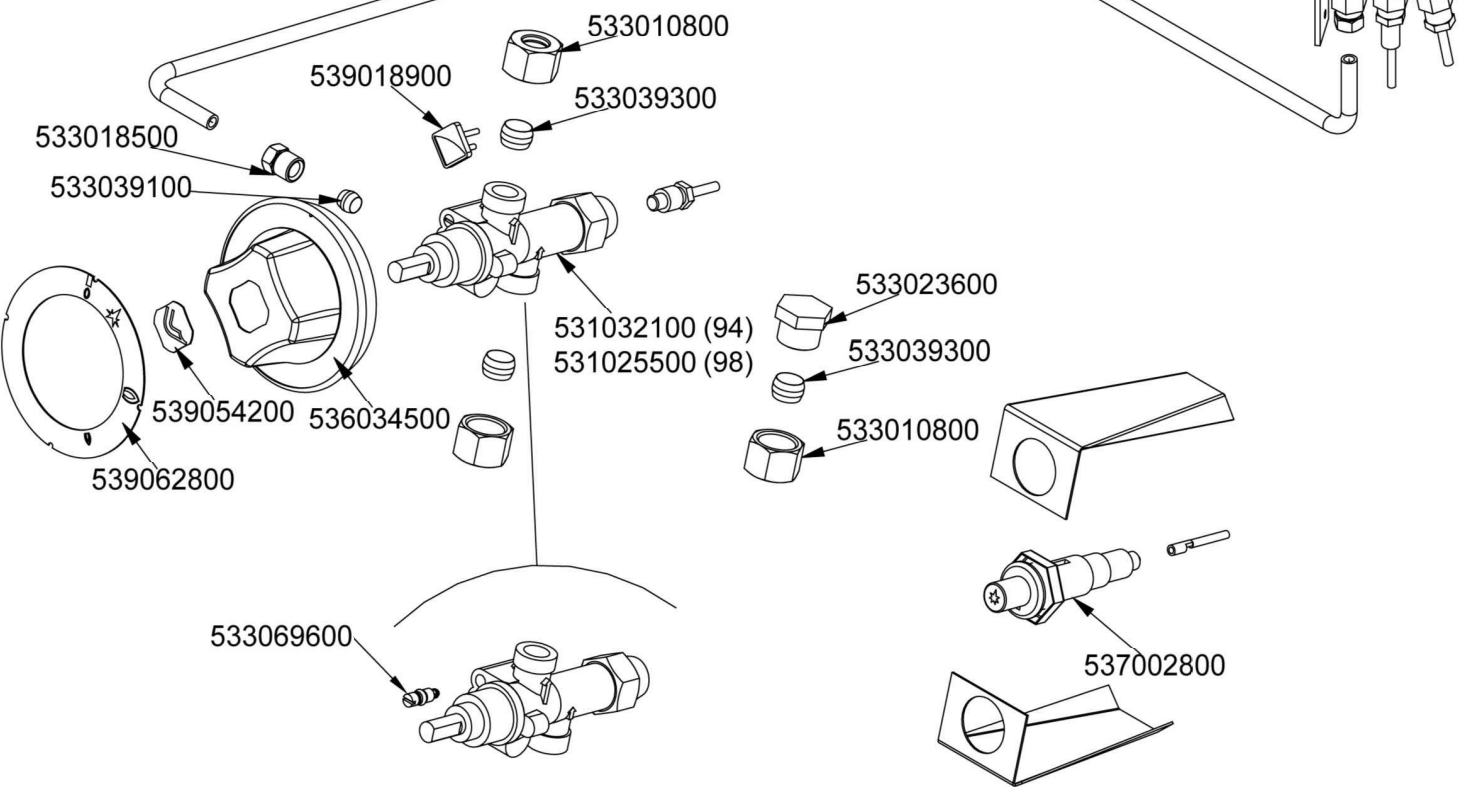
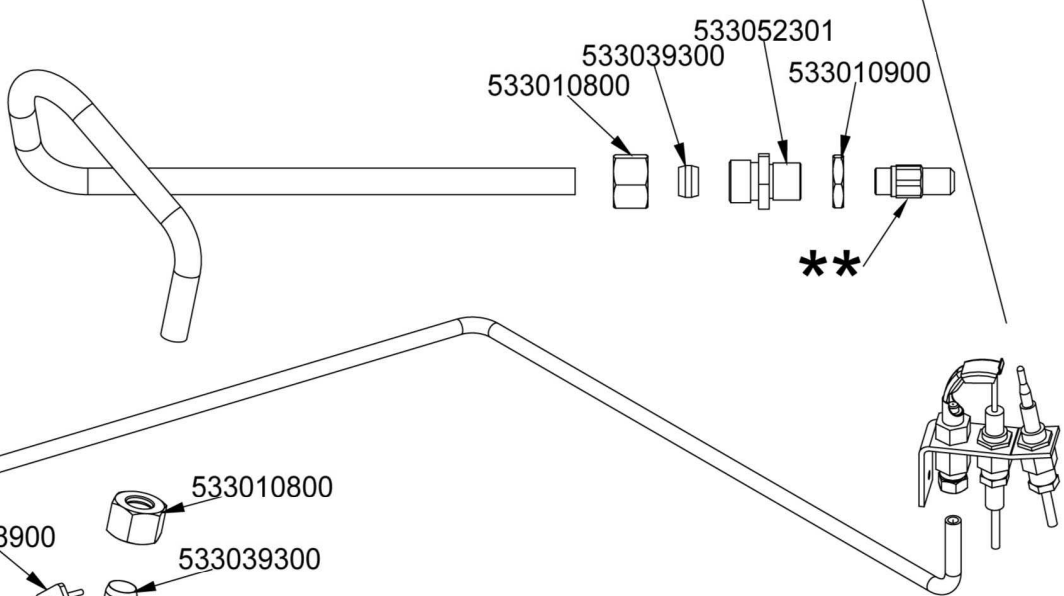
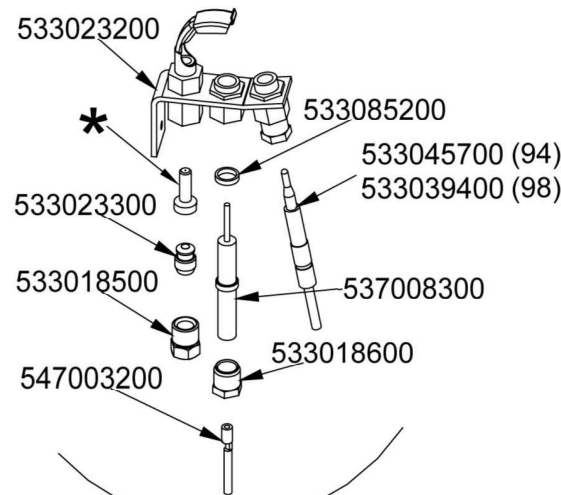
	*	**	***
G30-28+30mbar G31- 37mbar	533091400	533091000	533030800
G30- 50mbar	533091400	533091000	533014800
G20- 20mbar G25- 25mbar	533091500	533091200	533056200
G20- 20mbar DE-AT	533091500	533091200	533056200
G25- 20mbar	533091500	533091200	533015000
G25- 25mbar NL	533091500	533091200	533055400



	*	**	***
G30-28+30mbar	533091400	533091000	533030100
G31- 37mbar	533091400	533091000	533014700
G30- 50mbar	533091400	533091000	533014700
G20- 20mbar	533091500	533091200	533015200
G25- 25mbar	533091500	533091200	533015200
G20- 20mbar	533091500	533091200	533015200
G25- 20mbar	533091500	533091200	533030300
G25- 25mbar	533091500	533091200	533014900
G25- NL	533091500	533091200	533014900



	*	**	**
		TP-94	TP-98
G30-28+30mbar G31- 37mbar	533020500	533057700	533019600
G30- 50mbar	533020500	533057600	533046200
G20- 20mbar G25- 25mbar	533020600	533047400	533057500
G20- DE-AT	533020600	533047400	533057500
G25- 20mbar	533020600	533047300	533032801
G25- NL	533020600	533047500	533032001
G20- 25mbar	533020600	533046400	



Page	Pos	Code	Description
001		532004100	FLUE GRID L=370 90LINE (RAF
001		541118000	UPPER PLATE TP2-912G(TPF2-912G/GV
001		544407200	RIGHT SIDE PANEL RANGE 70 LINE
001		537027400	TERMINAL BLOCK THREEPHASE 40A
001		541120401	CONTROL PANEL S70/90 TPF2-912GE/GEV
001		544407100	RIGHT SIDE PANEL RANGE 90 LINE
001		536005200	INOX LEG 2" 120-180 M10
002		544187100	OVEN INNER DOOR GN 2/1 70/90LINE
002		531022800	LEFT OVEN DOOR HINGE S.70
002		531013100	OVEN DOOR HANDLE OF 70/90-LINE
002		544186900	OVEN DOOR GN 2/1 70/90LINES
002		531022700	RIGHT OVEN DOOR HINGE 70LINE
002		531022900	HINGE DOOR WHEEL HOLDER S.70
002		541102300	GAS OVEN INNER DOOR GN 3/1 S.70
002		544187000	OVEN DOOR GN 3/1 S.70
003		533033800	LOCK SPRING FOR BULB §6
003		536010901	GAS OVEN GASKET GN 3/1 (1668
003		531036600	LHD RACK HOLDER FOR OVEN S.90
003		531036400	OVEN GRID GN 3/1 FOR 90 LINE
003		531036500	RHD RACK HOLDER FOR OVEN S.90
003		544410000	90 GAS OVEN BOTTOM GN3/1
004		539018800	BLANK INDEX FOR KNOB
004		539023800	LABEL FOR OVEN TIMER
004		531024800	TIMER 120'- 360°
004		536034400	KNOB §77 4P. §06*4,6 C/M
004		539063300	ADESIVE DISK FOR TYMER GREY
004		537002800	PIEZOELECTRIC IGNITION M18 WITH NUT
004		539023900	SIGN PLATE FOR OVEN TEMPERATURE
004		536034500	KNOB §77 4P. §08*6,5
004		539062100	ADESIVE DISK FOR GAS OVEN S70
004		539054200	STAMP O20,5 CR."L" LOTUS R.
004		533010800	TUBE NUT D.10 M16*1,5
004		533039300	BICONE §10
004		533039100	BICONE §6
004		547013900	HIGH-VOLTAGE CABLE TUB.§2 L=1400
004		533018600	PLUG FITTING
004		533018500	FITTING FOR BICONE D.6 M10*1
004		533023300	BICONE §6 ("TARGET" PILOT
004		533023200	TARGET PILOT + NIPPLE TC BRAC.90°
004		533085200	SPACER FOR PILOT PLUG
004		533041800	THERMOCOUPLE 1500 M9*1
004		537008300	ROUND PLUG §2,4- LONG ELECTRODE
004		544362100	UPPER BURNER DEFLECTOR FOR OVEN 70
004		544362200	UPPER PILOT DEFLECTOR FOR OVEN 70
004		544362400	SIDE PILOT DEFLECTOR FOR OVEN 70
004		531004800	BURNER FOR OVEN GN 3/1 S.70
004		544362300	SIDE BURNER DEFLECTOR FOR OVEN 70
004		531025600	ELBOW 90° NOZZLE-HOLDER §10 PIPE
004		533010900	NUT M14*1 H.4
004		533020500	NOZZLE 0.140 §19
004		533020600	NOZZLE 0.140 §27

Page	Pos	Code	Description
004		533019400	NOZZLE §180 CH12*14 L-FQ5
004		533030300	NOZZLE §160 CH12*14 M-FPG
004		533055700	NOZZLE D.I 260 G110 (TOWN GAS
004		533056400	NOZZLE §340 CH12*14
004		533056000	NOZZLE §310 CH12*14
004		533069300	BY PASS COCK §100 25ST
004		533069500	BY PASS COCK §085 25ST
004		531034000	GAS COCK 25ST P.O. BY-PASS §100
004		531033900	HORIZON.THERMOSTATIC TAP BYPASS §85
005		533039100	BICONE §6
005		533018500	FITTING FOR BICONE D.6 M10*1
005		532003900	BURNER COVER RING §100
005		531035400	BIG BURNER BODY 90 LINE
005		532004000	1 FLAME GRILL 396X366 (90
005		533010900	NUT M14*1 H.4
005		533039400	THERMOCOUPLE M9*1*850
005		544400300	BURNER DRIP PAN 2/3
005		533052301	JOINT FOR NOZZLE HOLDER
005		531035100	BIG BURNER VENTURI 90 LINE
005		533039300	BICONE §10
005		533010800	TUBE NUT D.10 M16*1,5
005		544424100	AIR ADJUSTMENT BUSHING*BURNER PC90
005		533038800	75 BY-PASS FOR 21S TAP
005		531032000	GAS COCK P.V.BY-PASS Ø075
005		539018900	INDEX FOR KNOB W/RED SIGN
005		536034500	KNOB §77 4P. §08*6,5
005		539054200	STAMP Ø20,5 CR."L" LOTUS R.
005		539062800	RED STICKING DISK 72
005		533091400	P.NOZZLE S100 UG.§20 PC90 LPG-FLUS
005		533091500	PILOT NOZZLE S.100 §30 PC90 NAT.GAS
005		533091000	NOZZLE 0.100 §20
005		533091200	PILOT NOZZLE 0100 Ø35 PIL.PC
005		533030800	NOZZLE §155 CH12X14 M-CW
005		533014800	NOZZLE §135 CH12*14,0
005		533056200	NOZZLE §230 CH12*14
005		533015000	NOZZLE D.I 260 G110 (TOWN GAS
005		533055400	NOZZLE §245 CH12*14
006		533009200	REDUCTION GRATE FOR 65-70LINES+FO
006		532003700	BURNER COVER RING §060
006		531035200	SMALL BURNER BODY 90 LINE
006		533010900	NUT M14*1 H.4
006		533052301	JOINT FOR NOZZLE HOLDER
006		533039300	BICONE §10
006		533010800	TUBE NUT D.10 M16*1,5
006		532004000	1 FLAME GRILL 396X366 (90
006		544400100	BURNER DRIP PAN 2/3
006		531034900	SMALL BURNER VENTURI 90 LINE
006		544424100	AIR ADJUSTMENT BUSHING*BURNER PC90
006		533039100	BICONE §6
006		533018500	FITTING FOR BICONE D.6 M10*1
006		533045700	THERMOCOUPLE M9*1 500

Page	Pos	Code	Description
006		539018900	INDEX FOR KNOB W/RED SIGN
006		531042900	B.PASS §60 SAFETY COCK PC/CF 90
006		533069100	BY PASS COCK §60 20S
006		539062800	RED STICKING DISK 72
006		539054200	STAMP Ø20,5 CR."L" LOTUS R.
006		536034500	KNOB §77 4P. §08*6,5
006		533091400	P.NOZZLE S100 UG.§20 PC90 LPG-FLUS
006		533091500	PILOT NOZZLE S.100 §30 PC90 NAT.GAS
006		533091000	NOZZLE 0.100 §20
006		533091200	PILOT NOZZLE 0100 Ø35 PIL.PC
006		533030100	NOZZLE §95 CH12*14 G-FP
006		533014700	NOZZLE §85 CH12*14 F-FQ5
006		533015200	NOZZLE §145 CH12*14 F-FP/CP6
006		533030300	NOZZLE §160 CH12*14 M-FPG
006		533014900	NOZZLE §150 CH12*14 F-FQ5 L-FQ6
007		531003300	TP-PLATE LIFTING HOOK
007		541132300	PLATE TP-94G
007		541132200	PLATE TP-98G (1/2
007		544399100	PLATE RING FOR TP-74G TP-94G
007		544426600	PLATE RING FOR TP-98G
007		546015300	SQUARE BRAID 12*12*L=1821
007		546015100	SQUARE BRAID OF INSULATING MATERIAL
007		531044200	CIRCULAR BURNER TP D.066
007		531033100	BURNER TP..-78G
008		533023200	TARGET PILOT + NIPPLE TC BRAC.90°
008		533085200	SPACER FOR PILOT PLUG
008		533045700	THERMOCOUPLE M9*1 500
008		533039400	THERMOCOUPLE M9*1*850
008		533023300	BICONE §6 ("TARGET" PILOT
008		537008300	ROUND PLUG §2,4- LONG ELECTRODE
008		533018500	FITTING FOR BICONE D.6 M10*1
008		547003200	HIGH-VOLTAGE CABLE TUBE.§2 L=500
008		533018600	PLUG FITTING
008		533010900	NUT M14*1 H.4
008		533052301	JOINT FOR NOZZLE HOLDER
008		533039300	BICONE §10
008		533010800	TUBE NUT D.10 M16*1,5
008		539018900	INDEX FOR KNOB W/RED SIGN
008		533039100	BICONE §6
008		539062800	RED STICKING DISK 72
008		539054200	STAMP O20,5 CR."L" LOTUS R.
008		536034500	KNOB §77 4P. §08*6,5
008		531032100	GAS COCK 21S P.V.BY-PASS O100
008		531025500	GAS COCK 21S P.V.BY-PASS O130
008		533023600	TAP PLUG §10 M16*1, 5CH19
008		533069600	BY PASS COCK §130 20S-21S
008		537002800	PIEZOELECTRIC IGNITION M18 WITH NUT
008		533020500	NOZZLE 0.140 §19
008		533020600	NOZZLE 0.140 §27
008		533057700	NOZZLE §130A CH12*30 F-BRF74
008		533057600	NOZZLE §115A CH12*30 G-BRF74

Page	Pos	Code	Description
008		533047400	NOZZLE \$195 CH12*30 M-BM8
008		533047300	NOZZLE \$215 CH12*30 L-BM8
008		533047500	NOZZLE \$205 CH12*30 ML-BM-8G
008		533046400	NOZZLE \$185 CH12*30 G-CPM
008		533019600	NOZZLE \$165 CH12*30 MH-FT5 H-FT6
008		533046200	NOZZLE \$150 CH12X30 L-BR TP
008		533057500	NOZZLE \$260 CH12X30
008		533032801	NOZZLE \$280 CH12*30 M-CPM
008		533032001	NOZZLE \$270 CH12*30 MH-CPM