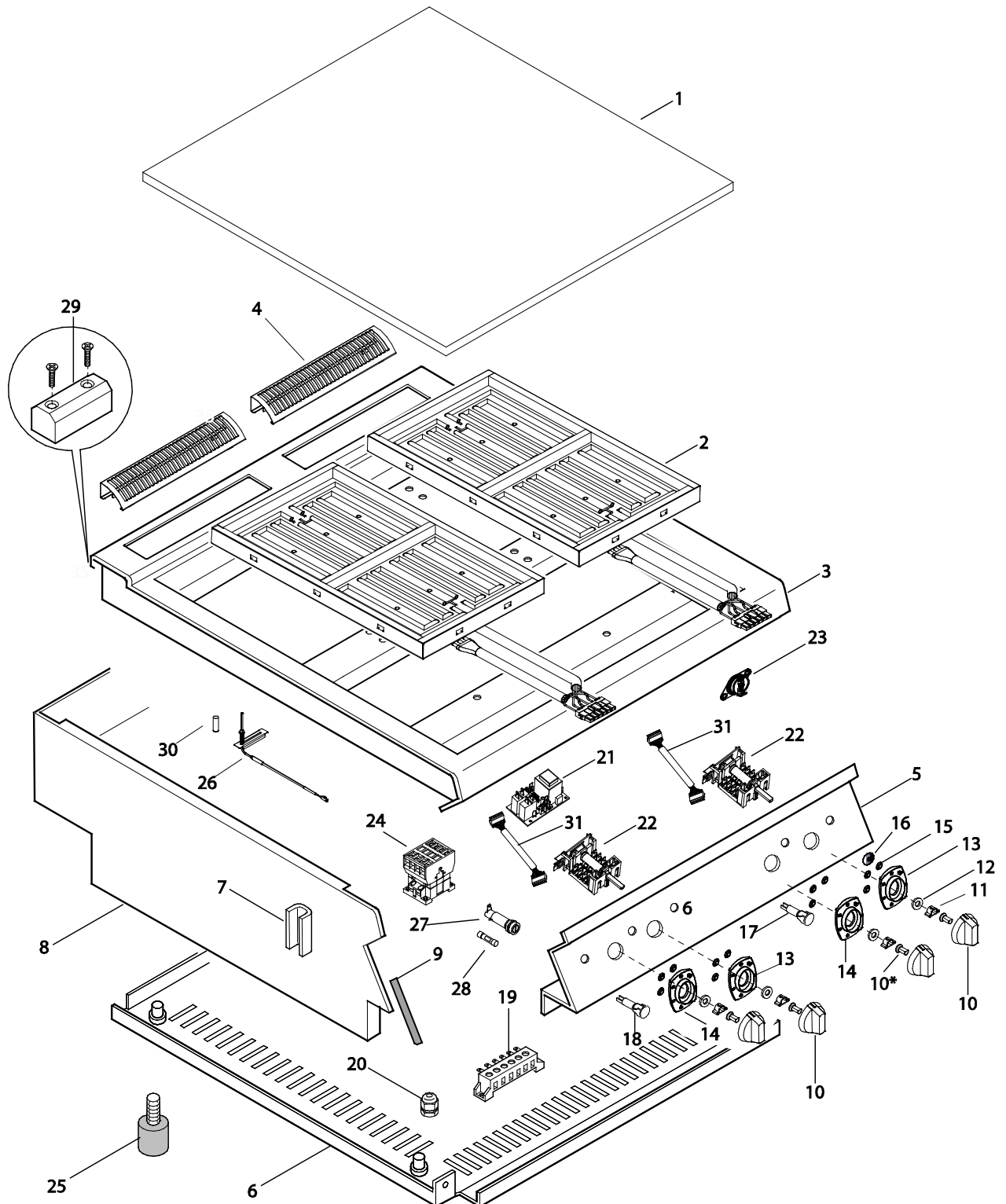


**TUTTAPIASTRA ELETTRICO E700XP  
ELECTRIC HOB COOKING TOP E700XP**

<b>PNC</b>	<b>Model</b>	<b>Brand</b>	<b>Ref</b>	<b>Description</b>
371027	E7HOED2000	ELX	A	ELECTRIC HOB COOKING TOP 400 MM
371028	E7HOEH4000	ELX	B	ELECTRIC HOB COOKING TOP 800 MM
372027	Z7HOED2000	ZAN	C	ELECTRIC HOB COOKING TOP 400 MM
372028	Z7HOEH4000	ZAN	D	ELECTRIC HOB COOKING TOP 800 MM
373027	A7HOED2000	OEM	E	ELECTRIC HOB COOKING TOP 400 MM
373028	A7HOEH4000	OEM	F	ELECTRIC HOB COOKING TOP 800 MM

Vista generale / Main view



1	831858100	0C8549	PIASTRA	TOP	A,C,E
1	831857700	0C8548	PIASTRA	TOP	B,D,F
2	617839100	0C8545	RESISTENZA ELETTRICA	HEATING ELEMENT	
3	87089P300	0C8553	RIPIANO 400 MM	TOP 400 MM	A
3	87089P100	0C8551	RIPIANO 400 MM	TOP 400 MM	C,E
3	87089P200	0C8552	RIPIANO 800 MM	TOP 800 MM	B
3	870895200	0C8550	RIPIANO 800 MM	TOP 800 MM	D,F
4	50389LP00	0C7333	GRIGLIA CAMINO	GRATE, CHIMNEY	
5	85089B000	0C7291	CRUSCOTTO TOP 400 MM	CONTROL PANEL TOP 400 MM	A
5	85089FW00	0C7647	CRUSCOTTO TOP 400 MM	CONTROL PANEL TOP 400 MM	C,E
5	85589A400	0C7308	CRUSCOTTO TOP 800 MM	CONTROL PANEL TOP 800 MM	B
5	85089FX00	0C7648	CRUSCOTTO TOP 800 MM	CONTROL PANEL TOP 800 MM	D,F
6	5038A1U00	*	FONDO PIANO 400	BOTTOM TOP 400 MM	A,C,E
6	5038A1V00	*	FONDO PIANO 800	BOTTOM TOP 800 MM	B,D,F
7	527850500	0C0156	PIASTRA FISSAGGIO FIANCHI	SIDE PANELS JOINTING PLATE	
8	85089F701	0C8544	FASCIA LATERALE 400 MM	EXTERNAL PANEL 400 MM	A
8	85089FA01	0C7268	FASCIA LATERALE 400 MM	EXTERNAL PANEL 400 MM	C,E
8	85089F801	0C7536	FASCIA LATERALE 800 MM	EXTERNAL PANEL 800 MM	B
8	85089FB01	0C8464	FASCIA LATERALE 800 MM	EXTERNAL PANEL 800 MM	D,F
9	543821900	0C2496	GUARNIZIONE CRUSCOTTO	GASKET CONTROL PANEL	
10	511850G01	0C6670	MANOPOLA	KNOB	A,B
10	548878201	0C7232	MANOPOLA	KNOB	C,D
10	548865500	0A5621	MANOPOLA	KNOB	E ,F
10*	548877V00	0C7345	ADATTATORE MANOPOLA	KNOB ADAPTER	
11	214590701	025245	MOLLETTA PER MANOPOLA	SPRING FOR KNOB	
12	543821000	053816	GUARNIZIONE MANOPOLA GHIERA REGOLATORE ANT ENERGIA	GASKET, KNOB	
13	548877C00	0C7176	GHIERA REGOLATORE ANT ENERGIA	KNOB RING, ENERGY FRONT REGULATOR	A,B
13	548879K00	0C7639	GHIERA REGOLATORE POST ENERGIA	KNOB RING, ENERGY FRONT REGULATOR	C,D,E
14	548877D00	0C7177	GHIERA REGOLATORE POST ENERGIA	KNOB RING, ENERGY BACK REGULATOR	A,B
14	548879L00	0C7640	GHIERA REGOLATORE POST ENERGIA	KNOB RING, ENERGY BACK REGULATOR	C,D,E,F
15	218912211	069567	PIASTRINA PER GHIERA	PLATE FOR KNOB RING	
16	541813800	0C6171	RONDELLA SILICONE	SILICONE WASHER	
17	876800002	005010	LAMPADA SPIA VERDE	GREEN LAMP	
18	876800102	005011	LAMPADA SPIA ARANCIO	ORANGE LAMP	
19	A05714000	058613	MORSETTIERA	MAIN TERMINAL BOARD	
20	544802300	0C0068	PRESSACAVO	TIGHTENER, CORD	
<b>21</b>	<b>673800200</b>	<b>0C8547</b>	<b>SCHEDA ELETTRONICA</b>	<b>ELECTRONIC BOARD</b>	<b>A,C,E; tech.bull PDX2014-03</b>
<b>21</b>	<b>673800100</b>	<b>0C8546</b>	<b>SCHEDA ELETTRONICA</b>	<b>ELECTRONIC BOARD</b>	<b>B,D,F; tech.bull PDX2014-04</b>
<b>22</b>	<b>641805200</b>	<b>0C7415</b>	<b>REGOLATORE ENERGIA</b>	<b>ENERGY REGULATOR</b>	<b>tech.bull PDX2014-03 and 04</b>
23	646815700	0C4223	CLIXON	CLIXON	
24	648807900	0C7622	CONTATTORE	CONTACTOR	
25	315252601	026806	PIEDINO	FOOT	
26	831857800	0C7421	TERMOCOPPIA K 1500MM	SENSOR K 1500MM	
27	652800401	056582	PORTA FUSIBILE	FUSE HOLDER	
28	652806100	0C4996	FUSIBILE	FUSE	
29	516860702	0C0137	PIASTRINA UNIONE	CONNECTION PLATE	
30	569807M00	0C8674	TUBETTO CERAMICA	CERAMIC TUBE	
31	*	0C9773	CAVETTO SCHEDA SELETTORE	CABLE SPARTA TO SELECTOR	Only cable art31
*	63889AD00	*	ASSIEME CAVI COMPLETO	WIRING HARNESS COMPLETE	A,C,E
*	633847600	*	ASSIEME CAVI COMPLETO	WIRING HARNESS COMPLETE	B,D,F