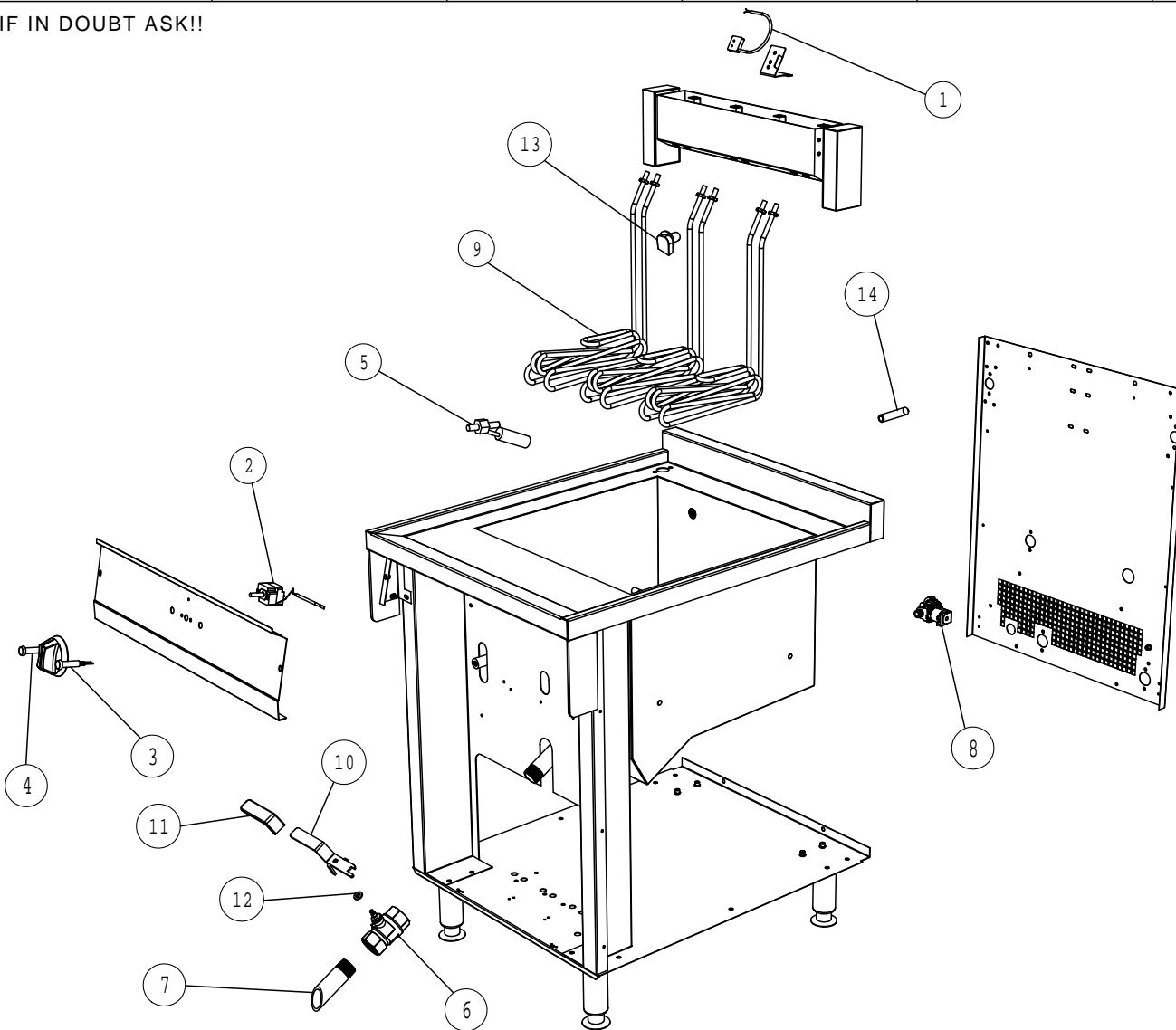
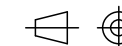


IF IN DOUBT ASK!!

DO NOT SCALE !!

First Angle Projection



ITEM	DESCRIPTION	SPARE No
1	TILT SWITCH	735750014
2	OPERATING THERMOSTAT	735750015
3	RED INDICATOR	735750016
4	AMBER INDICATOR	735750017
5	FLOAT SWITCH	735770000
6	DRAIN VALVE	735750019
7	DRAIN SPOUT	735750020
8	SOLENOID	735750021
9	ELEMENT	735760007
10	DRAIN HANDLE	735750028
11	DRAIN HANDLE SLEEVE	735750029
12	DRAIN HANDLE SPACER	735750030
13	SWIRL INLET	735770001
14	DOUBLE CHECK VALVE	735770004

All dimensions in millimetres, Tolerance- Linear $\pm 0.5\text{mm}$ Angular $\pm 0.5^\circ$ (or as stated). All sharp edges to be removed from sheet metal parts.

CLEARED FOR PRODUCTION

A 1154/1 PRODUCTION ISSUED S. MOONEY 3/5/07



Drawn S. MOONEY

Product

E2207 DIM SUM STEAMER

Date 1/5/07

Title

SPARES - CONTROLS

Scale NTS

Matl.

Drawing Number

Issue

No. off

Finish

AD45501

A

Bin No.

Kraus No. T111776

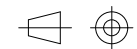
No reproduction or publication of this drawing may be made and no article may be manufactured or assembled in accordance with this drawing without prior written consent. This prohibition is a term of any contract relating to this drawing. Rights reserved under the Copyright Act 1956 as amended by the Design Copyright Act 1968.

This part is common to the following units

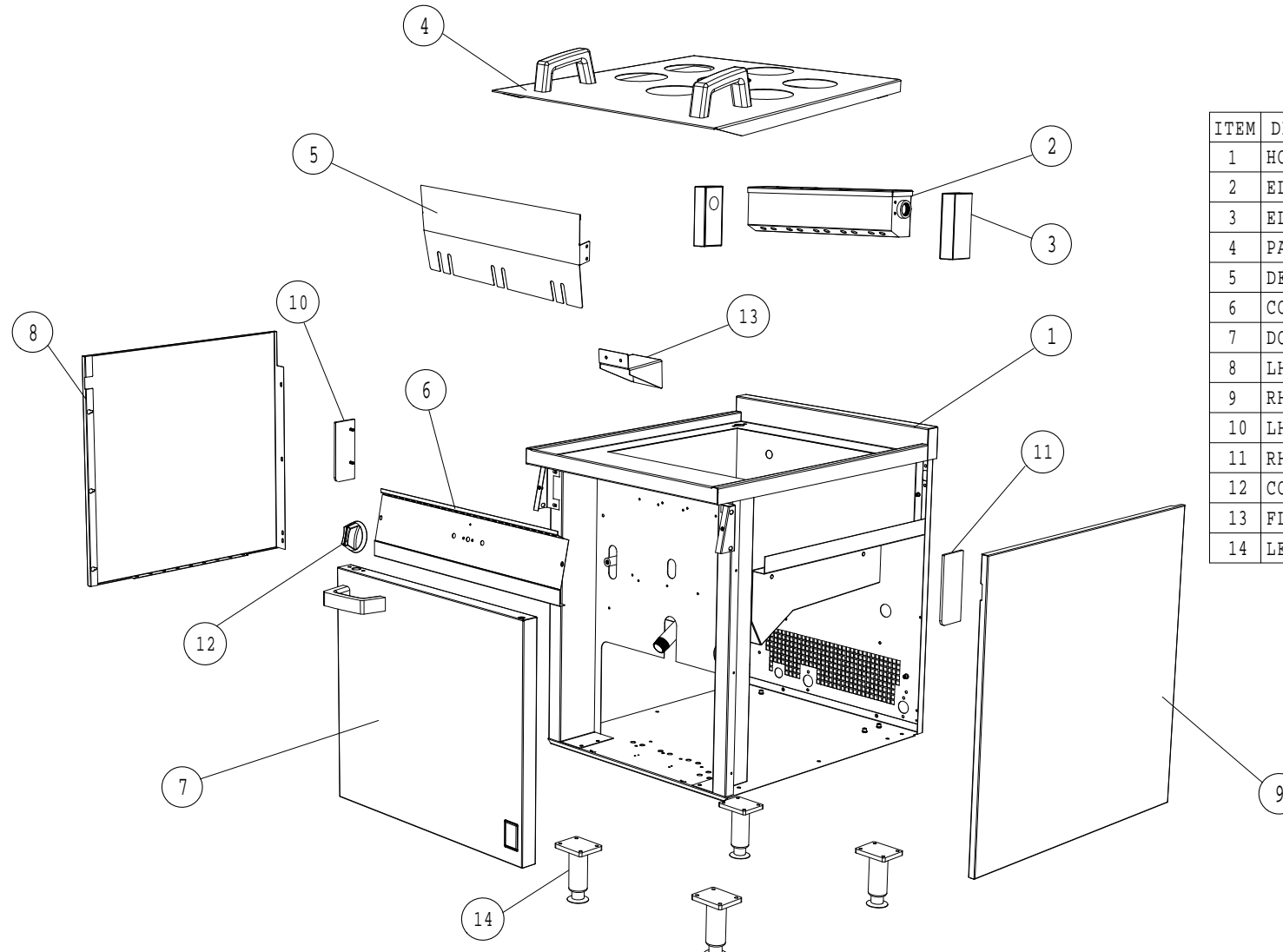
IF IN DOUBT ASK!!

DO NOT SCALE !!

First Angle Projection



ITEM	DESCRIPTION	SPARE No
1	HOB AND PAN ASSY	735760000
2	ELEMENT TERMINAL BOX ASSY	735760001
3	ELEMENT SUPPORT BOX ASSY	735750002
4	PAN LID ASSY	
5	DEFLECTOR PLATE	
6	CONTROL PANEL	735760004
7	DOOR ASSY	735760005
8	LH SIDE PANEL	735750007
9	RH SIDE PANEL	735750008
10	LH END CHEEK	735750009
11	RH END CHEEK	735750010
12	CONTROL KNOB	735750011
13	FLOAT SWITCH COVER	
14	LEG	735750013



All dimensions in millimetres, Tolerance- Linear $\pm 0.5\text{mm}$ Angular $\pm 0.5^\circ$ (or as stated). All sharp edges to be removed from sheet metal parts.

A		PRODUCTION ISSUE		S. MOONEY	1/5/07
G	Issue	Mod No.	Alteration	Zone	Drawn by



Drawn	S. MOONEY	Product	E2207 DIM SUM STEAMER	
Date	1/5/07	Title	SPARES - FITMENTS	
Scale	NTS	Matl.	Drawing Number	Issue
No. off		Finish	AD45500	A
Bin No.		Kraus No.	T111775	

No reproduction or publication of this drawing may be made and no article may be manufactured or assembled in accordance with this drawing without prior written consent. This prohibition is a condition of any contract relating to this drawing. Rights reserved under the Copyright Act 1956 as amended by the Designs Copyright Act 1988.

This part is common to the following units

CLEARED FOR PRODUCTION

Falcon Foodservice Equipment. Wallace View Hillfoots Road Stirling Scotland