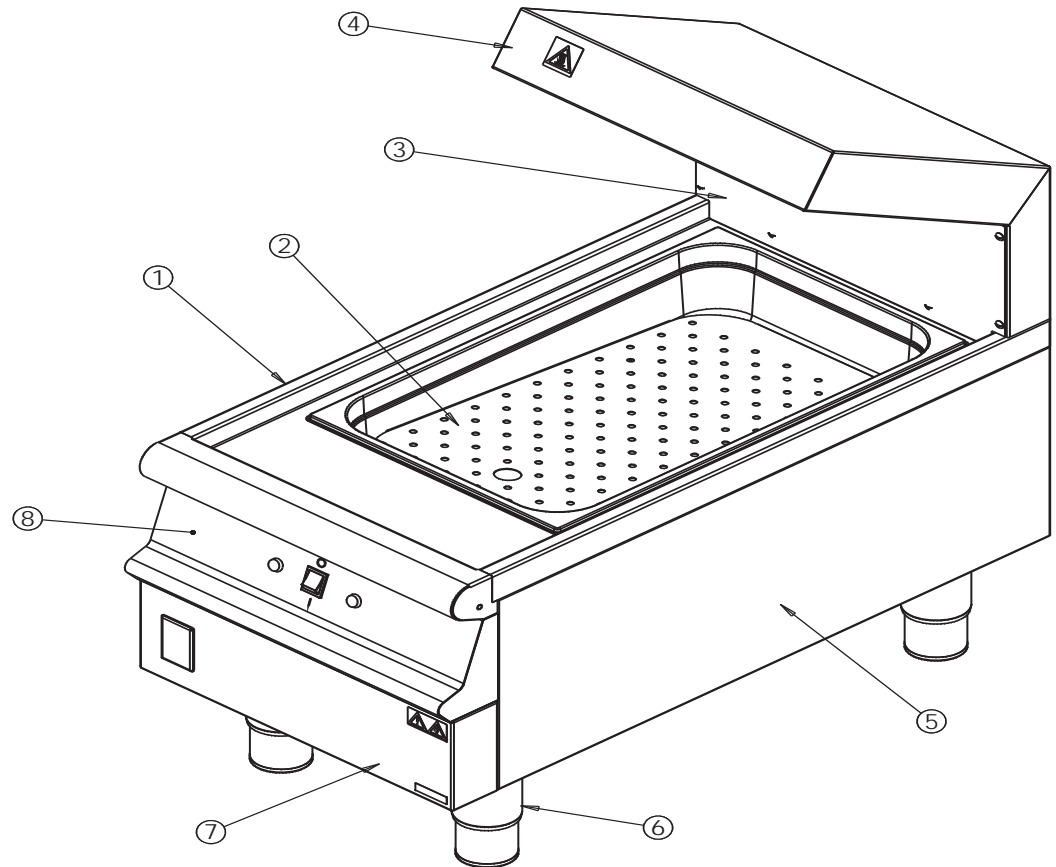


DOMINATOR PLUS

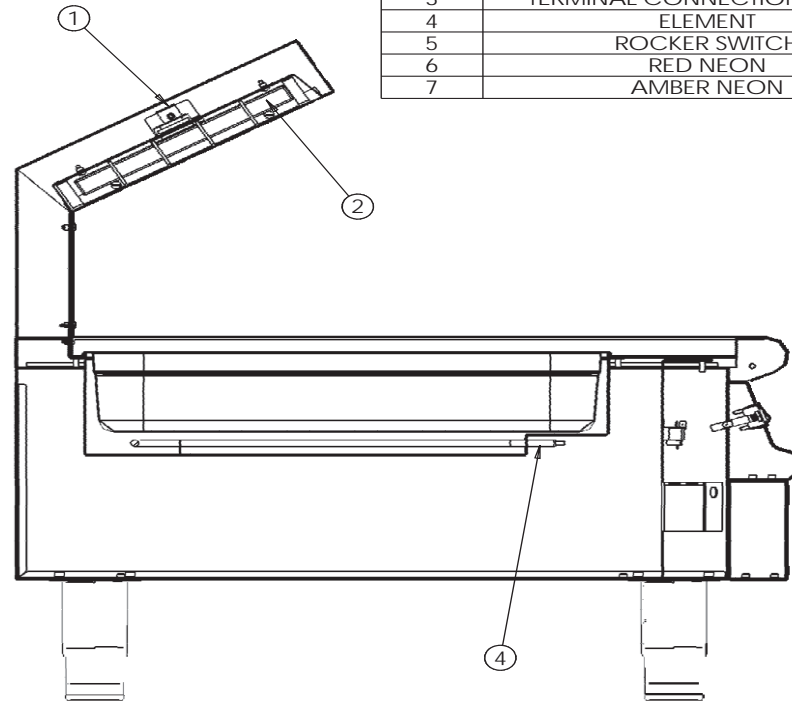
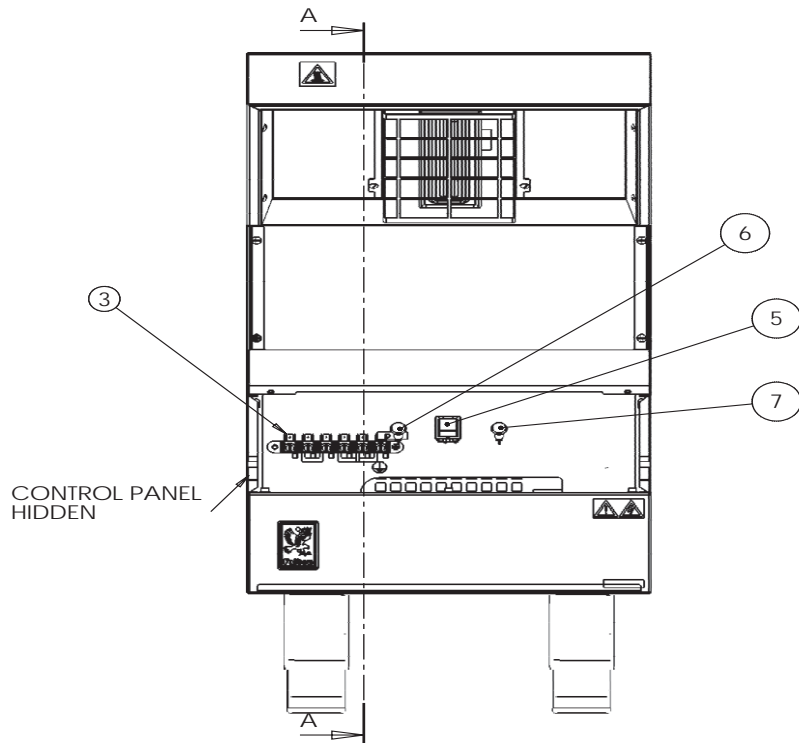
ITEM No	DESCRIPTION	SPARES No
1	HOB	735870000
2	PERFORATED TRAY	539215180
3	FLUE FRONT	735870001
4	FLUE REAR	735870002
5	SIDE PANEL (FITS BOTH SIDES)	735850000
6	ADJUSTABLE FEET	731350013
7	FRONT FACIA PANEL	735870003
8	CONTROL PANEL	735870004



Issue	Alteration	Date	Product	Document Reference
A	Initial Issue	14/03/14	E3405	AD50071

DOMINATOR PLUS

ITEM No	DESCRIPTION	SPARES No
1	TREMINAL BLOCK	734060004
2	CERAMIC HEATER ELEMENT	735700022
3	TERMINAL CONNECTION BLOCK	731000006
4	ELEMENT	730910190
5	ROCKER SWITCH	536380008
6	RED NEON	730962101
7	AMBER NEON	730962040



SECTION A-A
SCALE 1 : 5



Issue	Alteration	Date	Product	Document Reference
A	Initial Issue	14/03/14	E3405	AD50073