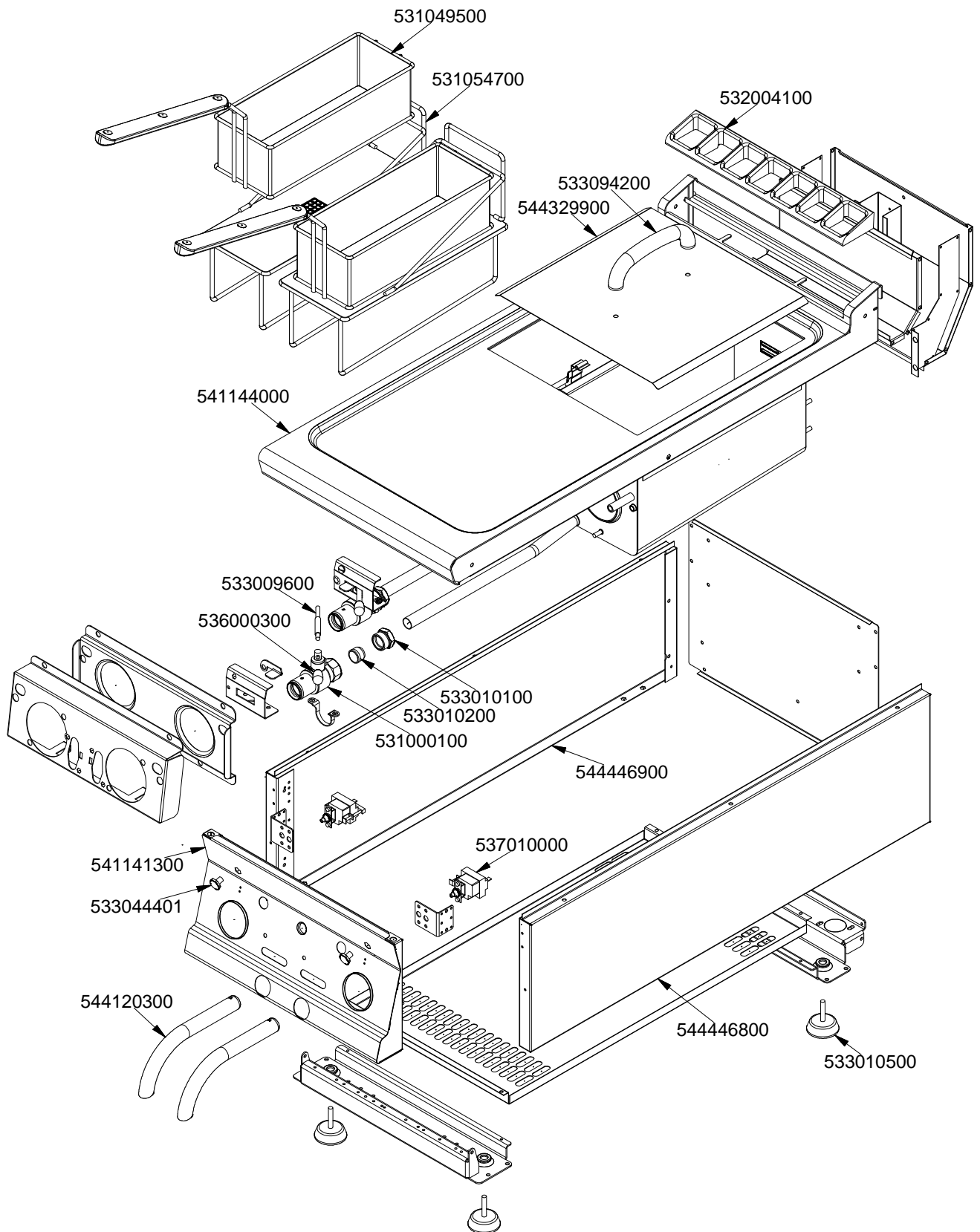


IPERLOTUS 90 TOP
GAS / GAS / GAS / GAZ

F2/8T-94G

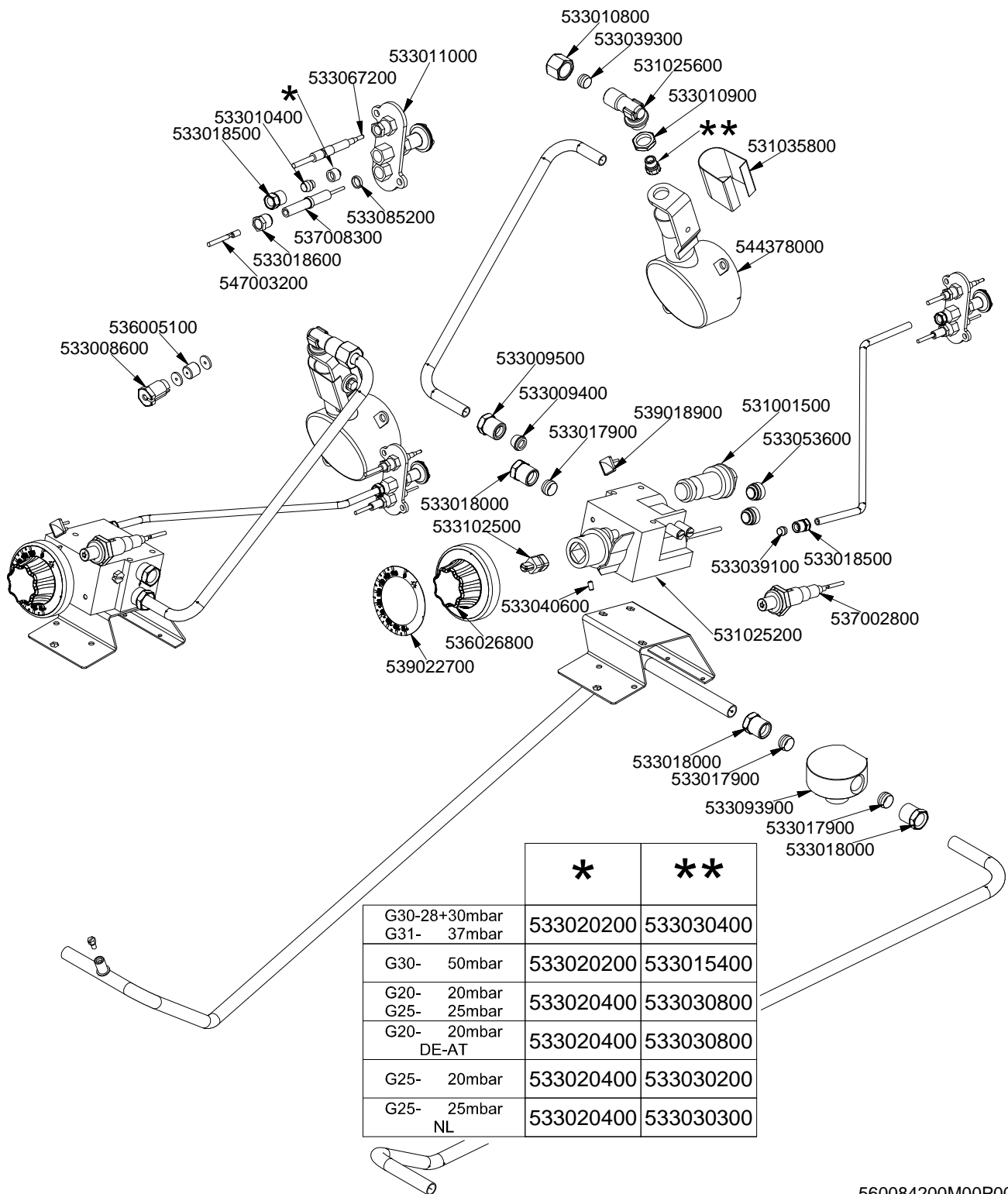


560084100M00P00

IPERLOTUS 90 TOP

GAS / GAS / GAS / GAZ

F2/8T-94G



560084200M00P00.

Page	Pos	Code	Description
001		544120300	DRAIN PIPE 22 FOR COCK 3/4"G
001		541141300	CONTROL PANEL S607090 F2/8T-74G
001		533044401	M8 THREADED CAP FOR SEC.THERMOSTAT
001		537010000	SAFETY THERMOSTAT 220°C SINGLEPHASE
001		544446900	
001		544329900	
001		533094200	S/S HANDLE FOR 70/90 SERIES
001		531054700	
001		531049500	
001		533010100	3/4 D. 18 PIPE UNION
001		533010200	BICONE 18S
001		531000100	DRAIN COCK 3/4"
001		536000300	FIXED GRIP D.15*25*M6
001		533009600	DRAIN COCK HANDLE
001		541144000	
001		533010500	LEG M10*25 D.40
001		544446800	
001		532004100	FLUE GRID L=370 70LINE (RAF)
002		531025200	EUROSIT VALVE FQ 110-190°C
002		533018000	ELBOW FOR BICONE D.12 3/8 RS L20
002		533017900	BICONE D.12
002		533093900	FITTING GAS ENTRY 1/2G 2OUT 3/8G
002		533018500	FITTING FOR BICONE D.6 M10*1
002		533010400	BICONE D.6
002		533067200	THERMOCOUPLE 220+500 M9*1 CUT-OFF
002		533011000	PILOT BURNER 3 FLAMES 320
002		533085200	
002		537008300	ROUND PLUG §2,4- LONG ELECTRODE
002		533018600	PLUG FITTING
002		547003200	HIGH-VOLTAGE CABLE TUBE.§2 L=500
002		533008600	STUFFING BOX M9*1
002		536005100	GRAPHITE §07,4 GASKET
002		533010800	TUBE NUT D.10 M16*1,5
002		533039300	BICONE §10
002		531025600	ELBOW 90° NOZZLE-HOLDER §10 PIPE
002		533010900	NUT M14*1 H.4
002		544378000	
002		533009500	NIPPLE FOR BICONE 10S
002		533009400	BICONE 10S
002		539022700	ADHESIVE GRADUATED DISC FOR KNOB
002		536026800	BLACK KNOB §70 8 P.Ø08X6,5 FR.Ø3
002		533102500	
002		539018900	INDEX FOR KNOB
002		533053600	EUROSIT VALVE PLUG
002		533039100	BICONE §6
002		533040600	HEADLESS SCREW M4*8
002		537002800	PIEZOELECTRIC IGNITION M18
002		533020200	PILOT JETS 0160 FOR LPG §30
002		533020400	NOZZLE 0160 (NATURAL GAS) 51
002		533030400	NOZZLE §105 CH12X14 G-FG/CW
002		533015400	NOZZLE §93 CH12*14 G-PC4 R

Page	Pos	Code	Description
002		533030800	NOZZLE §155 CH12X14 M-CW
002		533030200	NOZZLE §170 CH12*14 MH-FG L-FP/CW
002		533030300	NOZZLE §160 CH12*14 M-FPG
002		531001500	MAGNET FOR EUROSIT VALVE
002		531035800	BURNER FOR FRYER F13T