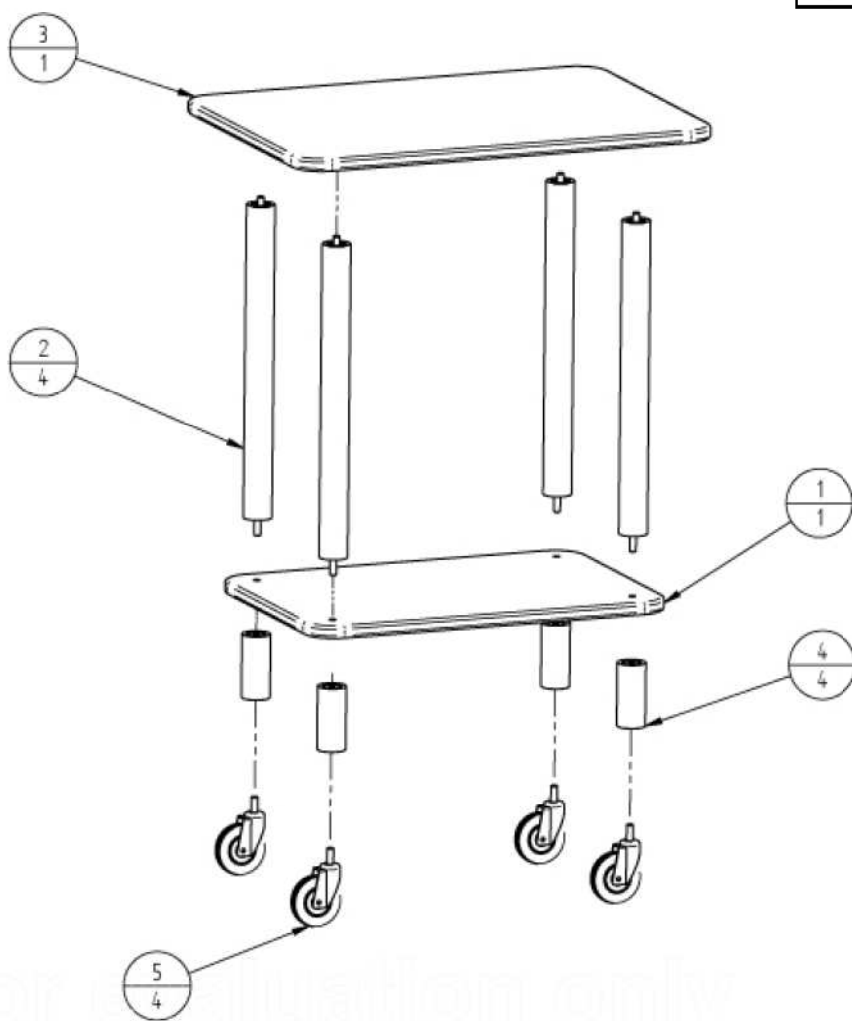


Pos.	Codice	Caratteristiche	Descrizione	Description
Ref.	Code	Features		
1	SL0475		Piano	Surface
2	SL0672		Gamba	Leg
3	SL0474		Piano	Surface
4	SL0673		Gamba	Leg
5	SL0324		Ruota	Wheel



for evaluation only