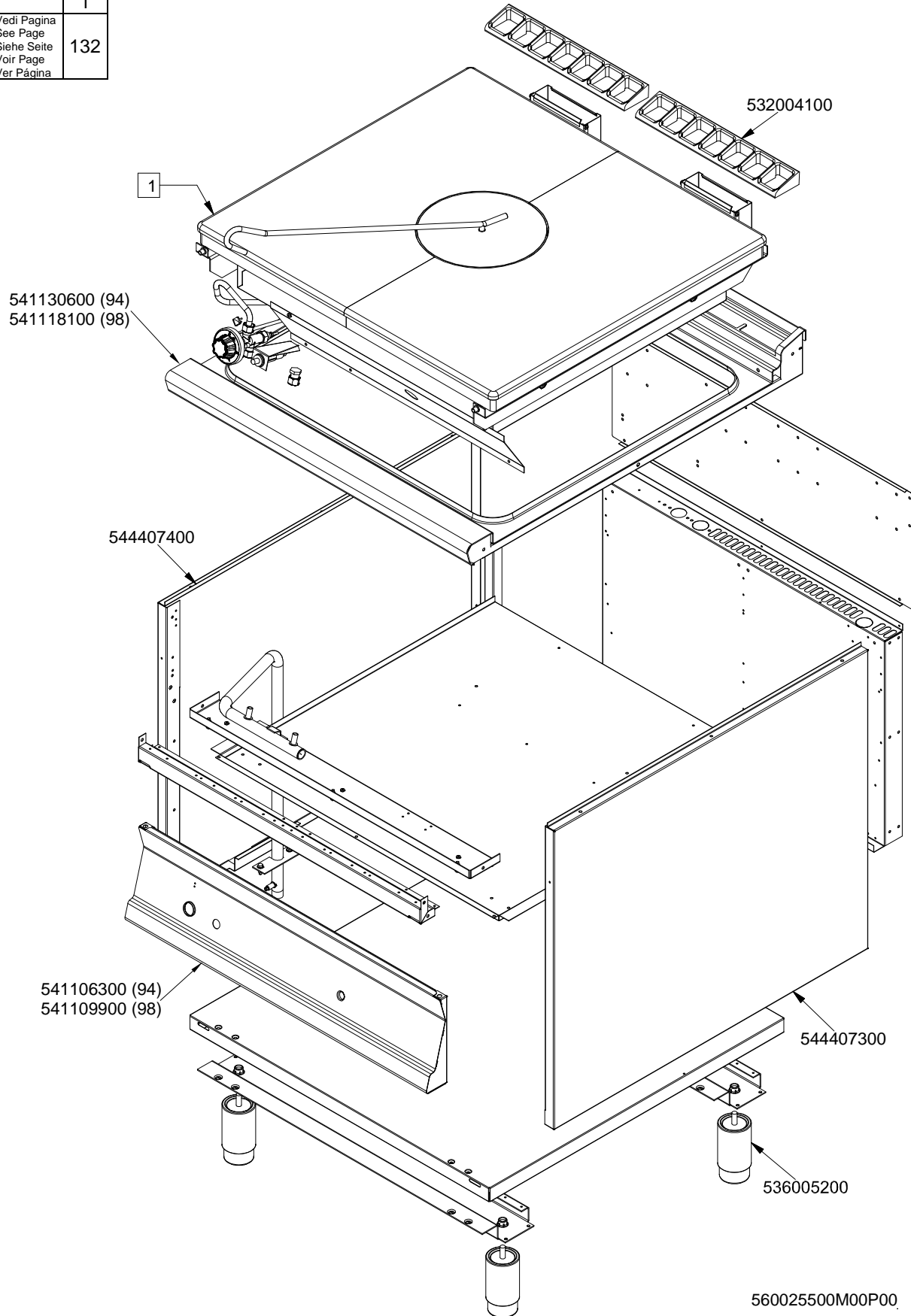


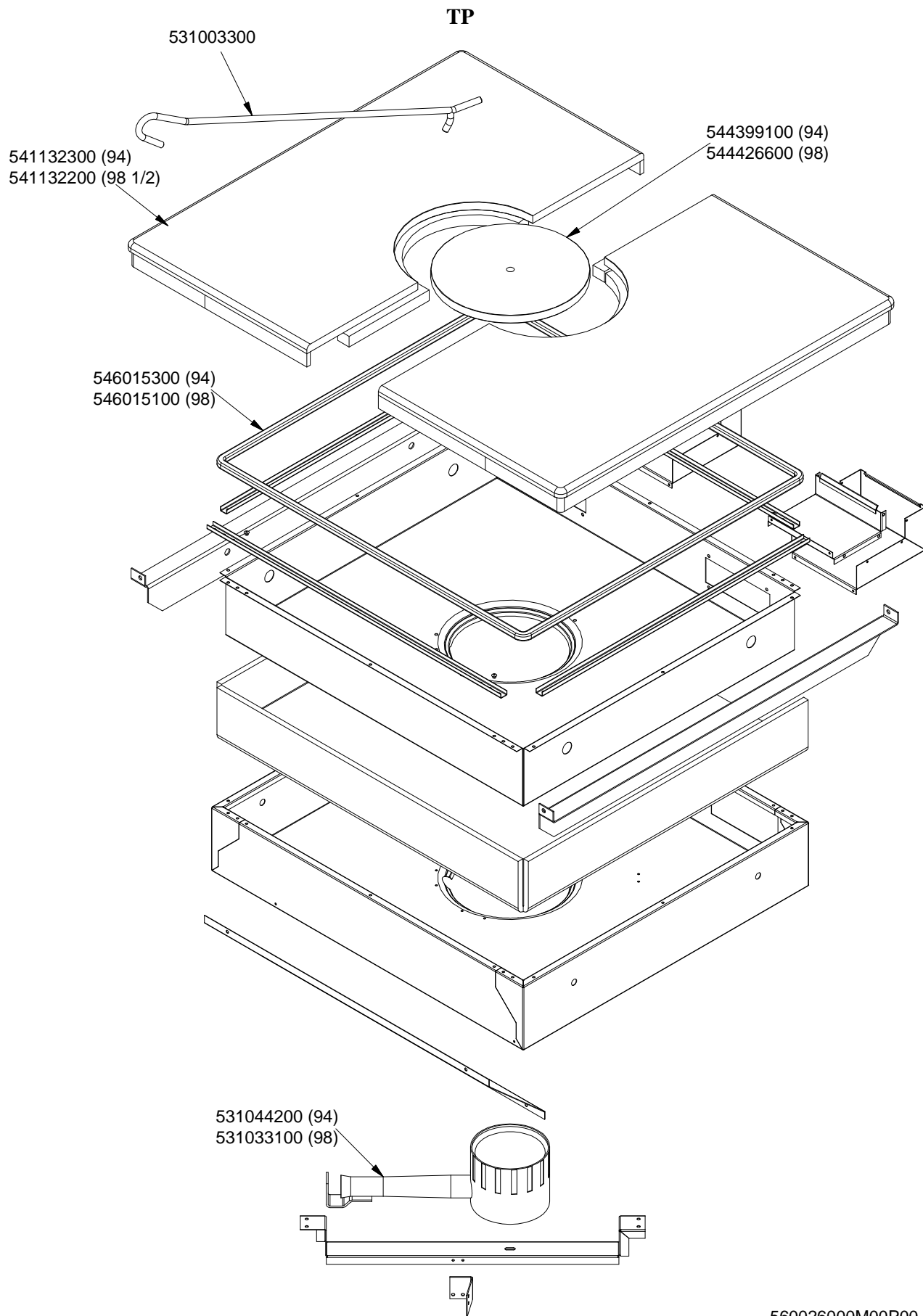
# IPERLOTUS 90

GAS / GAS / GAS / GAZ

TP-94G TP-98G

	1
Vedi Pagina See Page Siehe Seite Voir Page Ver Página	132





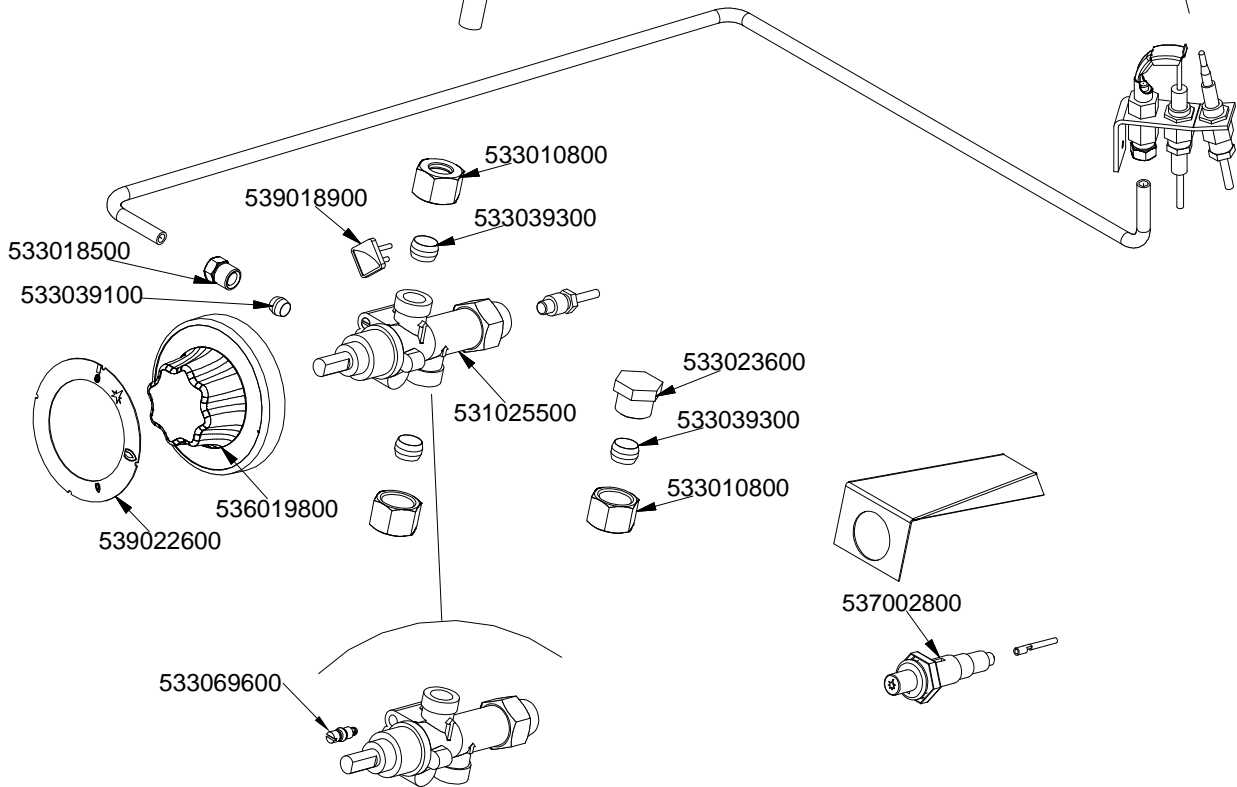
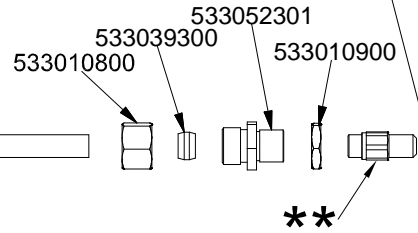
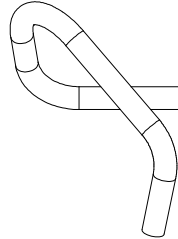
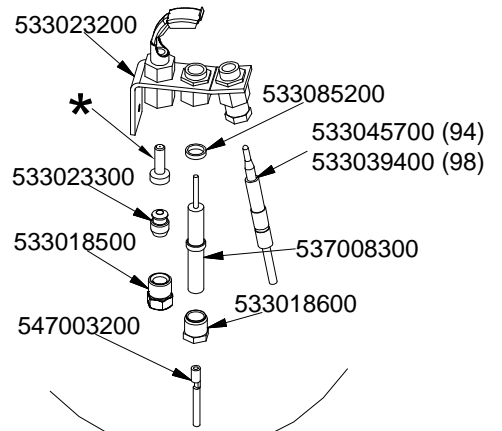
560026000M00P00

# IPERLOTUS 90

COMPONENTI COMUNI / STANDARDS PARTS / UEBLICHE TEILE / COMPOSANTS COMMUNS

## TP

	*	**	**
		TP-94	TP-98
G30-28+30mbar G31- 37mbar	533020500	533057700	533019600
G30- 50mbar	533020500	533057600	533046200
G20- 20mbar G25- 25mbar	533020600	533047400	533057500
G20- 20mbar DE-AT	533020600	533047400	533057500
G25- 20mbar	533020600	533047300	533032801
G25- 25mbar NL	533020600	533047500	533032001



560025900M00P00

Page	Pos	Code	Description
001		541109900	CONTROL PANEL TP-78G
001		541118100	UPPER PLATE TP-98G TPF-98G
001		544407300	RIGHT SIDE PANEL 90 LINE
001		544407400	LEFT SIDE PANEL 70 LINE
001		532004100	FLUE GRID L=370 70LINE (RAF)
002		531003300	TP-PLATE LIFTING HOOK
002		544426600	PLATE RING FOR TP-98G
002		531033100	BURNER TP..-78G
002		546015100	SQUARE BRAID OF INSULATING MATERIAL
002		541132200	PLATE TP-98G (1/2)
003		533019600	NOZZLE §165 CH12*30 MH-FT5 H-FT6
003		533046200	NOZZLE §150 CH12X30 L-BR TP
003		533057500	NOZZLE §260 CH12X30
003		533032801	NOZZLE §280 CH12*30 M-CPM
003		533032001	NOZZLE §270 CH12*30 MH-CPM
003		533020500	NOZZLE 0.140 §19
003		533020600	NOZZLE 0.140 §27
003		533052301	JOINT FOR NOZZLE HOLDER
003		533039300	BICONE §10
003		533010900	NUT M14*1 H.4
003		533010800	TUBE NUT D.10 M16*1,5
003		539018900	INDEX FOR KNOB
003		533018500	FITTING FOR BICONE D.6 M10*1
003		533039100	BICONE §6
003		533023600	TAP PLUG §10 M16*1, 5CH19
003		531025500	GAS COCK 21S P.V.BY-PASS Ø130
003		536019800	BLACK KNOB §70 PIN §8*6,5
003		539022600	GRADUATED STICKER FOR KNOB
003		537002800	PIEZOELECTRIC IGNITION M18
003		533069600	BY PASS COCK §130 20S-21S
003		533085200	
003		533039400	THERMOCOUPLE M9*1*850
003		537008300	ROUND PLUG §2,4- LONG ELECTRODE
003		533018600	PLUG FITTING
003		533023300	BICONE §6 ("TARGET" PILOT)
003		547003200	HIGH-VOLTAGE CABLE TUBE.§2 L=500
003		533023200	"TARGET" PILOT + NIPPLE TC BRAC.90°