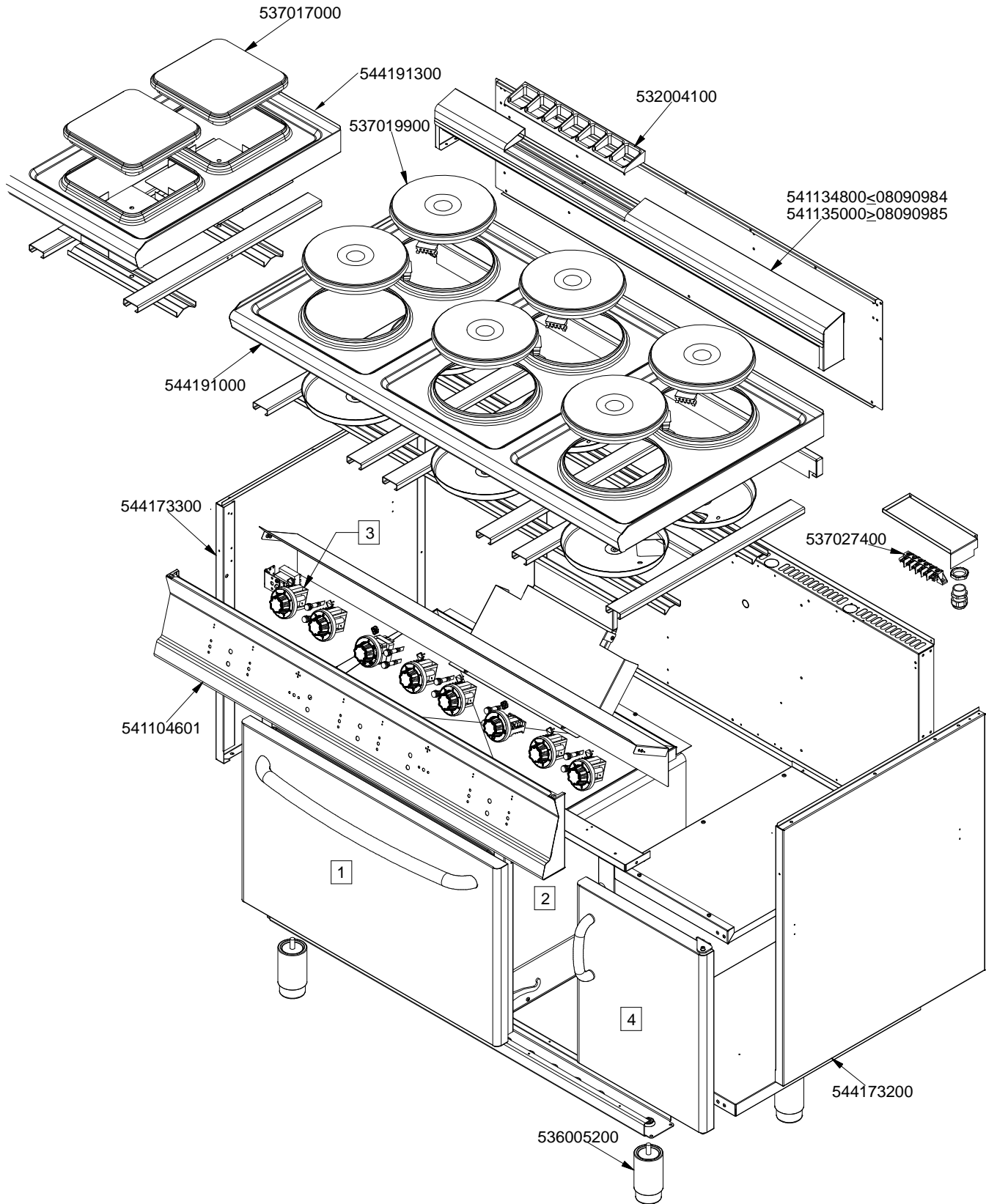


**SUPERLOTUS 70≥0602**  
**CUCINE / RANGES / HERDE / CUISINIÈRES**  
 CF...6-712

**CF6-712ETV CFQ6-712ETV**

	1	2	3	4
Vedi Pagina See Page Siehe Seite Voir Page Ver Pàgina	206	198	211	216



560009401M01P00

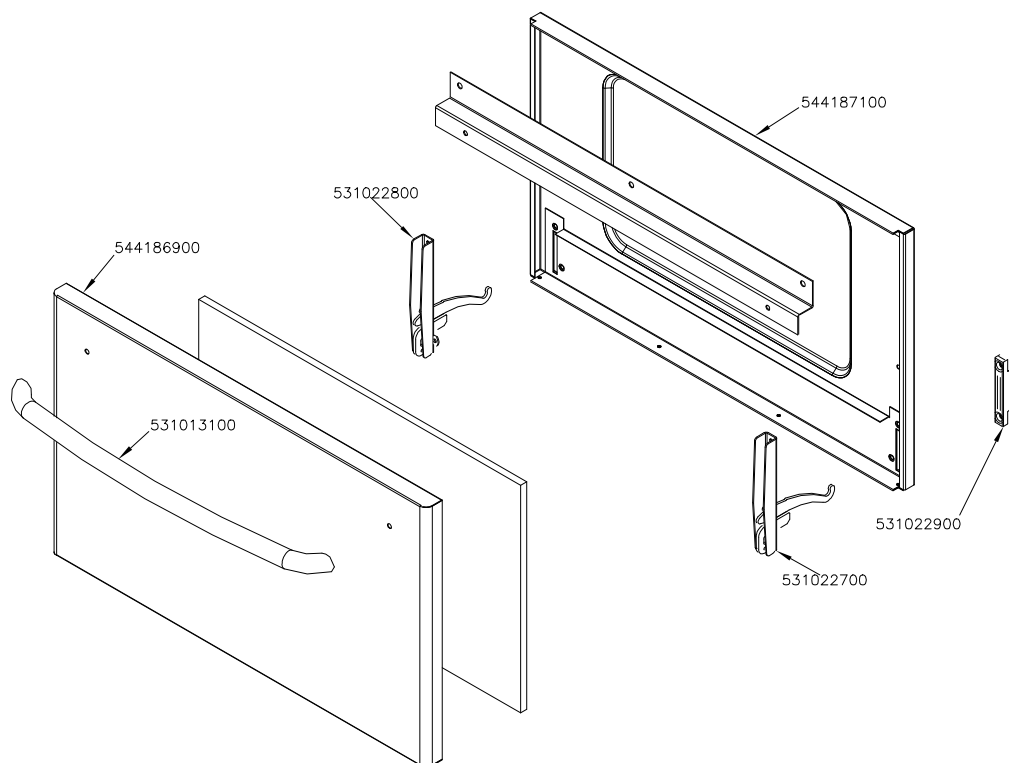
# SUPERLOTUS 70≥0602

CUCINE / RANGES / HERDE / CUISINIÈRES

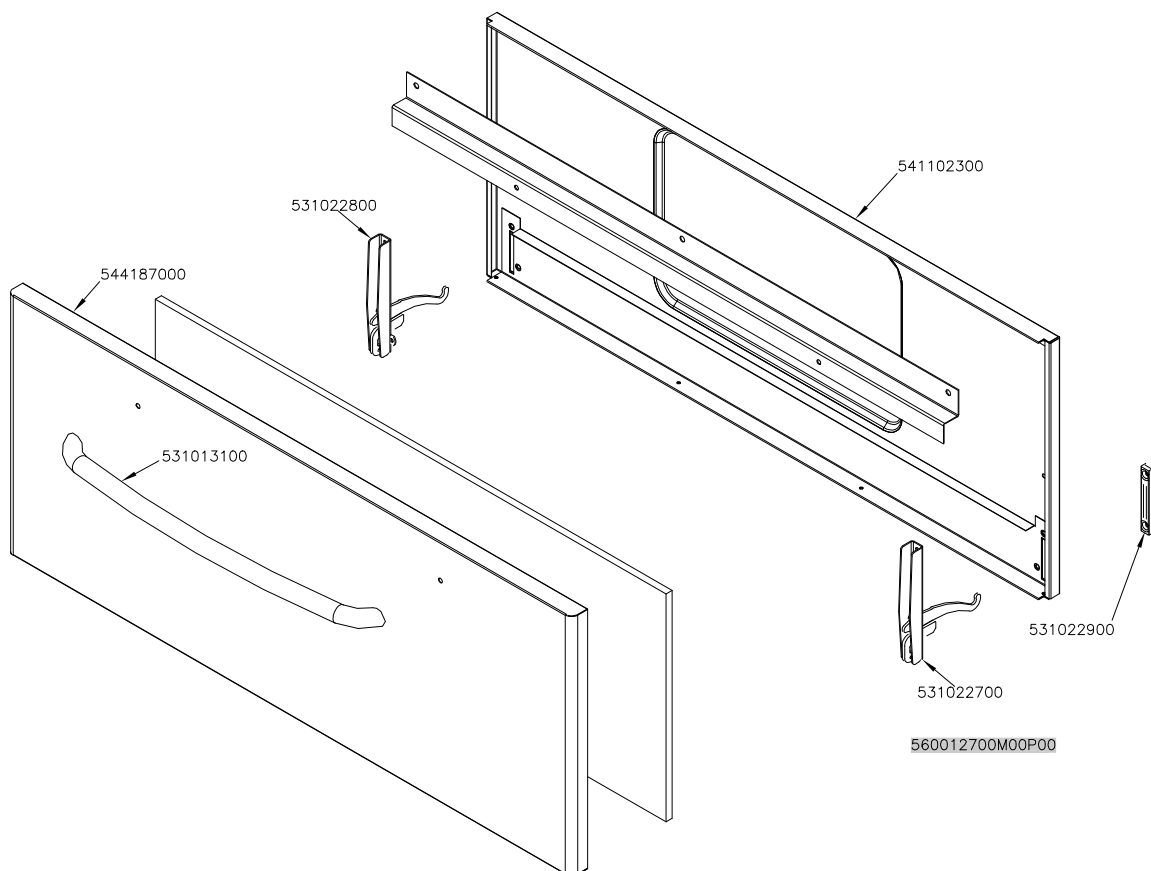
FORNO / OVEN / BACKOFEN / FOUR

## PORTE / DOORS / TÜREN / PORTES

GN 2/1



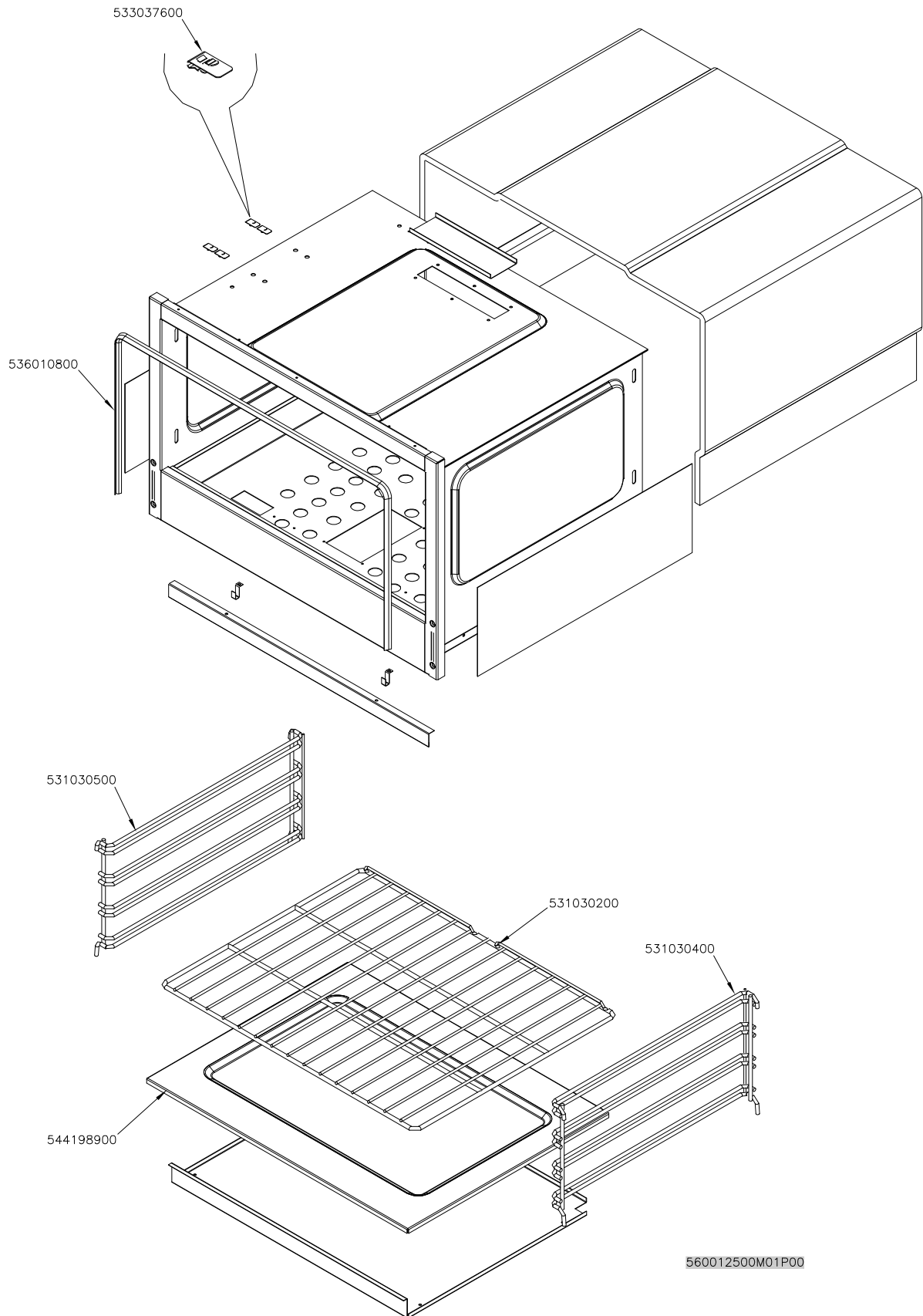
GN 3/1



# SUPERLOTUS 70≥0602

CUCINE / RANGES / HERDE / CUISINIÈRES  
FORNO / OVEN / BACKOFEN / FOUR

ELETTORICO / ELECTRICAL / ELEKTRO / ELECTRIQUE / GN 2/1

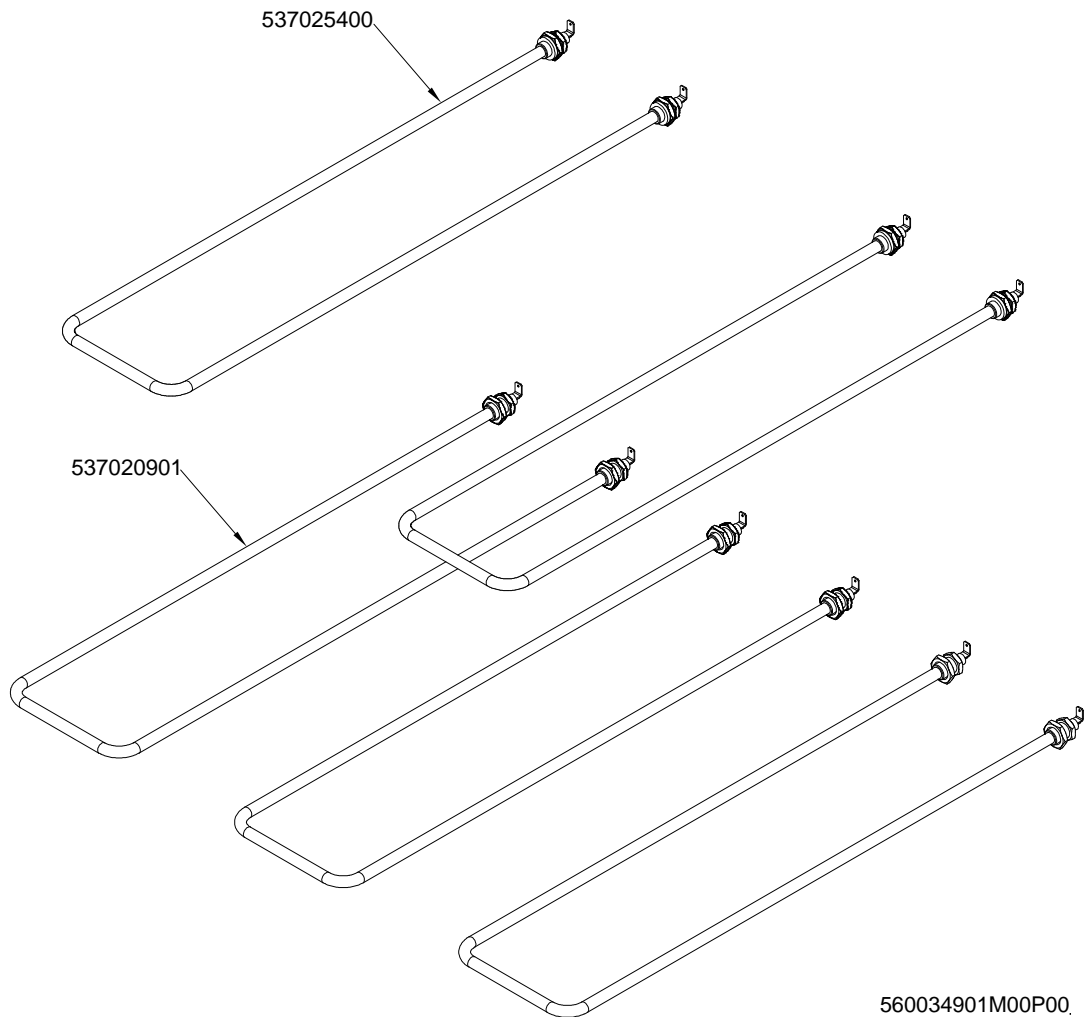
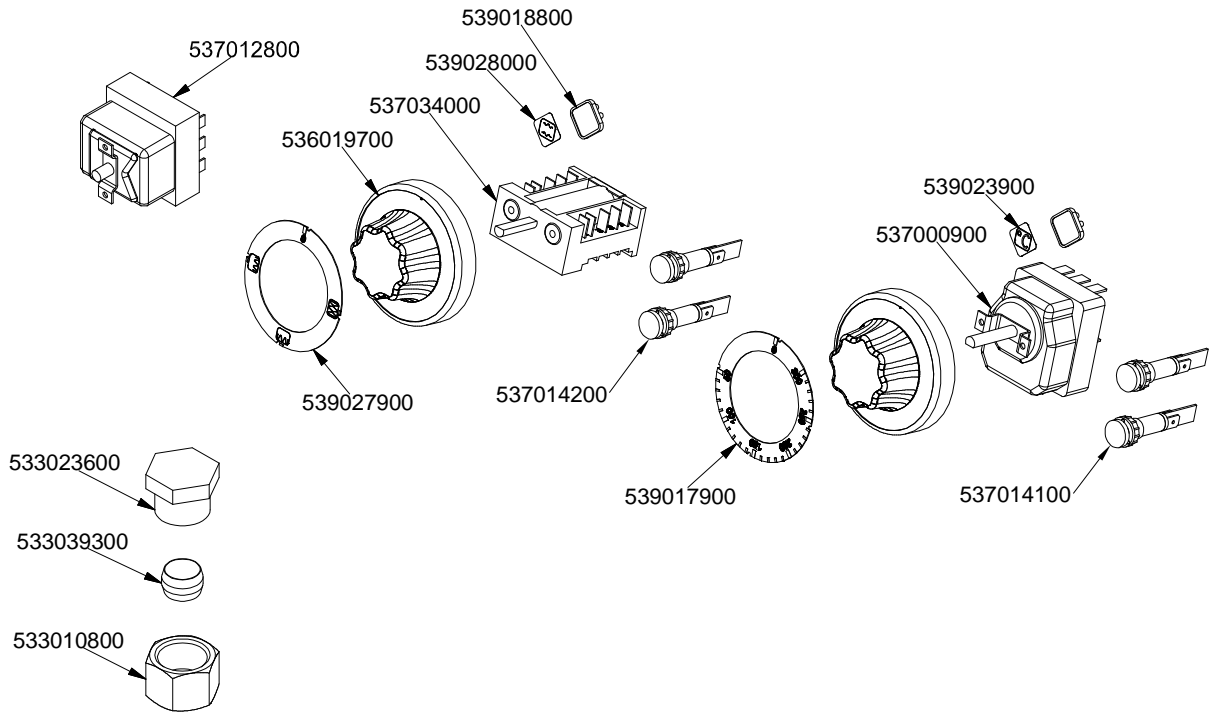


# SUPERLOTUS 70≥0602

CUCINE / RANGES / HERDE / CUISINIÈRES

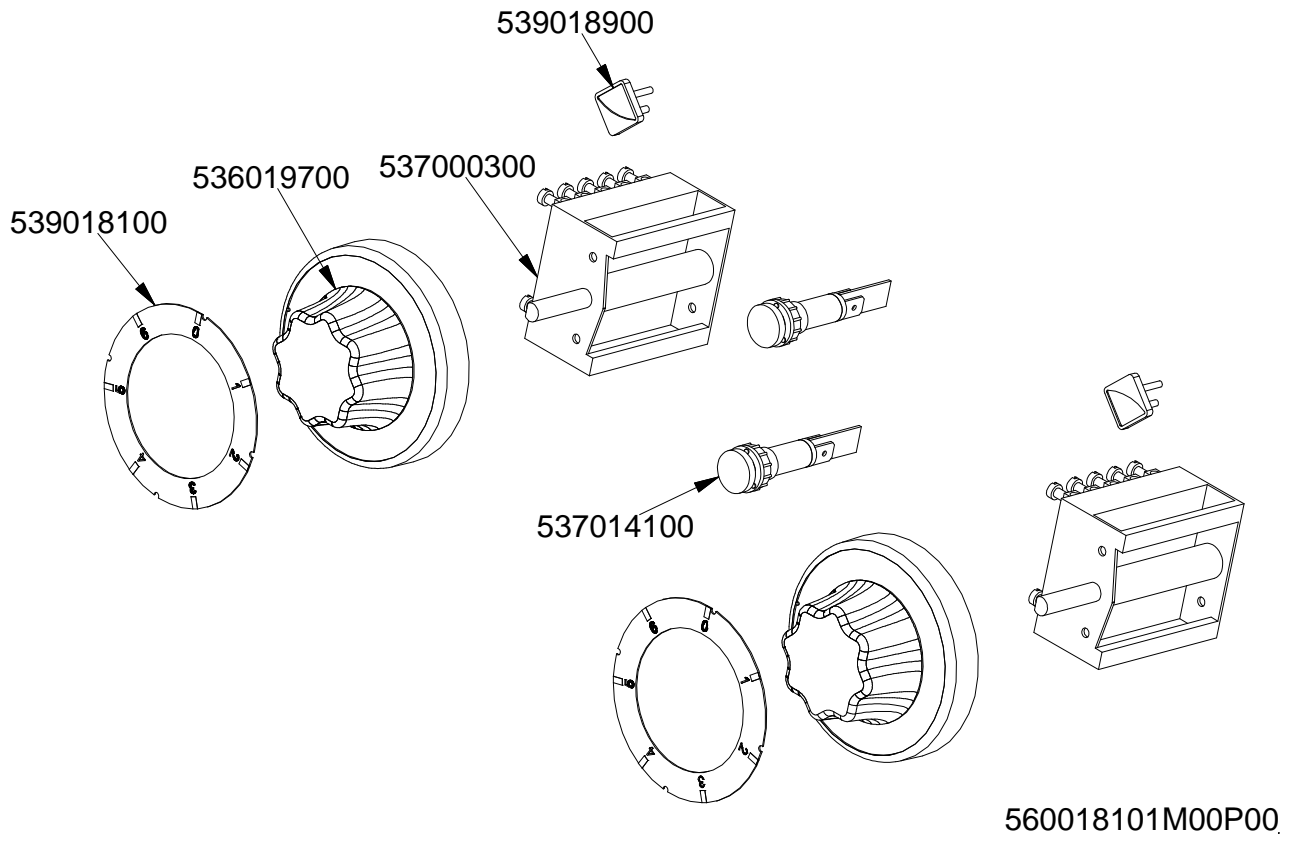
FORNO / OVEN / BACKOFEN / FOUR

ELETTRICO / ELECTRICAL / ELEKTRO / ELECTRIQUE / GN 2/1

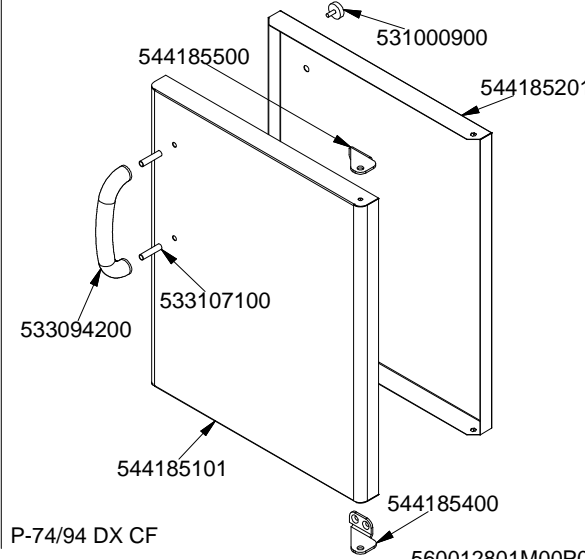
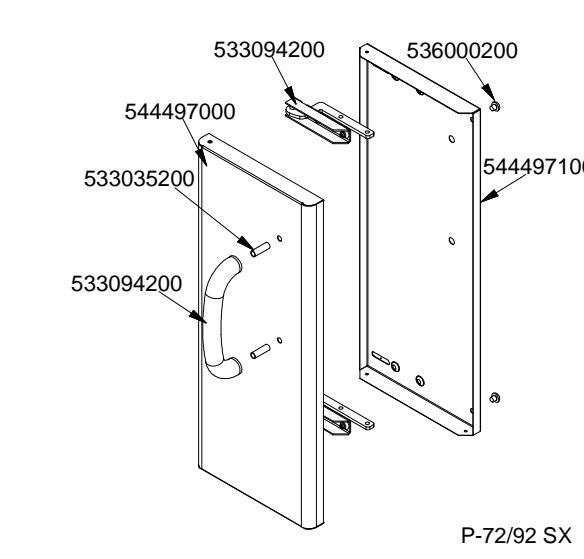
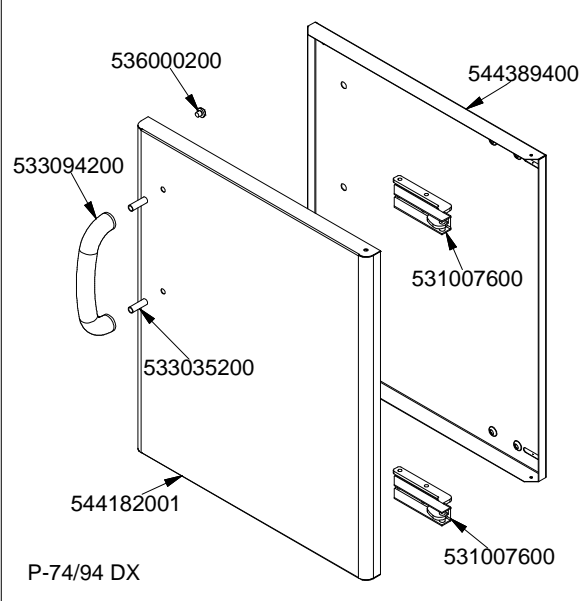
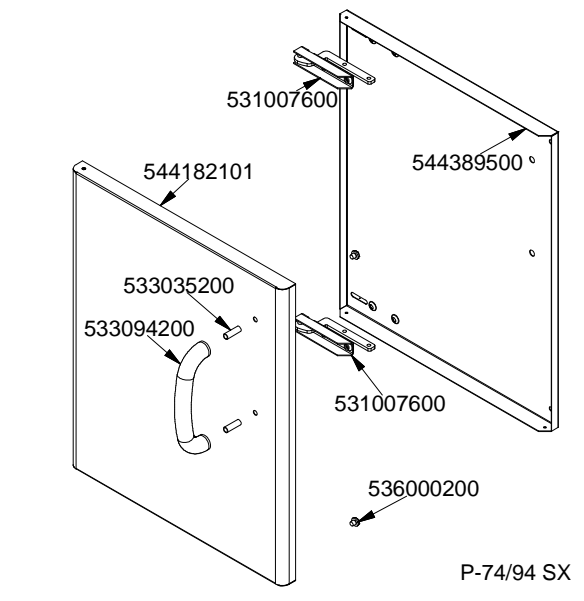
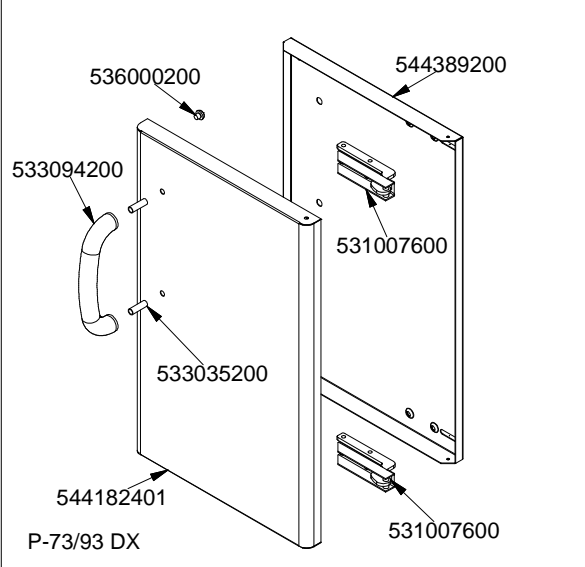
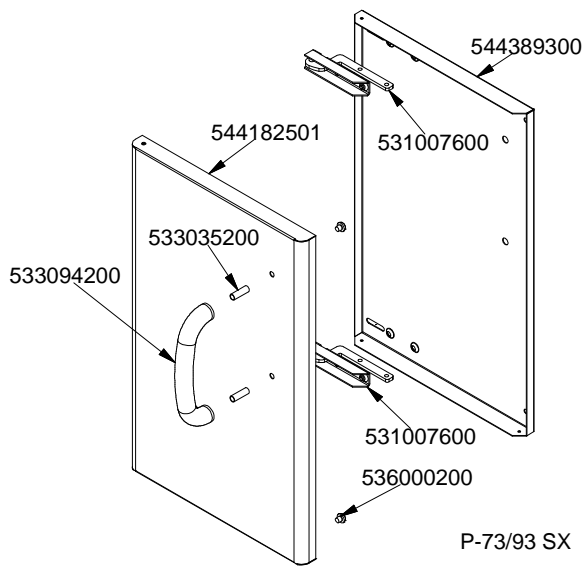


560034901M00P00

**PC-E CF-E**



**PORTE / DOORS / FLÜGELÜREN / PORTES**



Page	Pos	Code	Description
001		537017000	PLATE 220X220 W2600 V230
001		544191300	UPPER PLATE PC-712E SQUARE PLATE
001		532004100	FLUE GRID L=370 70LINE (RAF)
001		537019900	PLATE D.220 W2600 V230
001		541134800	LOW SPACER 712 - GRID
001		541135000	LOW SPACER 712 1 LHD GRID
001		544191000	UPPER PLATE PC-712E ROUND PLATE
001		544173300	LEFT SIDE PANEL RANGE S.70
001		541104601	CONTROL PANEL CF6-712E CF6-712EV
001		537027400	TERMINAL BLOCK THREEPHASE 40A
001		544173200	RIGHT SIDE PANEL RANGE S.70
001		536005200	INOX LEG 2" 120-180 M10
002		531013100	OVEN DOOR HANDLE OF 70/90-LINE
002		544186900	OVEN DOOR GN 2/1 S.70
002		531022800	LEFT OVEN DOOR HINGE S.70
002		544187100	OVEN INNER DOOR GN 2/1 S.70
002		531022900	HINGE DOOR WHEEL HOLDER S.70
002		531022700	RIGHT OVEN DOOR HINGE 70LINE
002		544187000	OVEN DOOR GN 3/1 S.70
002		541102300	GAS OVEN INNER DOOR GN 3/1 S.70
003		533037600	LOCK SPRING FOR BULB
003		536010800	OVEN GASKET GN 2/1 (1261)
003		531030500	LHD SUPPORT GRID FOR OVEN OF 70LINE
003		544198900	70 ELECTRICAL OVEN BOTTOM GN2/1
003		531030200	OVEN GRID GN 2/1 FOR 70 LINE
003		531030400	RHD SUPPORT GRID FOR OVEN OF 70LINE
004		537012800	SAFETY THERMOSTAT 420°C THREEPHASE
004		539018800	INDEX FOR OVEN KNOB
004		539028000	SELECTOR SIGN PLATE FOR OVEN
004		537034000	
004		536019700	BLACK KNOB §70 PIN §6*5
004		539023900	SIGN PLATE FOR OVEN TEMPERATURE
004		537000900	THERMOSTAT 50-320°C THREEPHASE
004		539027900	ADHESIV.GRADUATED DISC FOR SELECTOR
004		537014200	GREEN WARNING LIGHT 250V
004		539017900	ADHESIVE GRADUATED DISC FOR KNOB
004		537014100	WHITE WARNING LIGHT 250V
004		533023600	TAP PLUG §10 M16*1, 5CH19
004		533039300	BICONE §10
004		533010800	TUBE NUT D.10 M16*1,5
004		537025400	OVEN UPPER HEAT.EL.W700 V230 70LINE
004		537020901	HEATING ELEMENT 1200W 230V OVEN S70
005		539018900	INDEX FOR KNOB
005		536019700	BLACK KNOB §70 PIN §6*5
005		539018100	ADHESIVE GRADUATED DISC FOR KNOB
005		537000300	COMMUTATOR 7 POSITIONS S.49 16A
005		537014100	WHITE WARNING LIGHT 250V
006		544389300	
006		531007600	DOOR HINGE
006		544182501	LEFT DOOR 73
006		533035200	

Page	Pos	Code	Description
006		533094200	S/S HANDLE FOR 70/90 SERIES
006		536000200	D.12 H.4 BUMPER
006		544389200	
006		544182401	RIGHT DOOR 73
006		544389500	INNER-DOOR OF LHD 74
006		544182101	LEFT DOOR 74
006		544389400	
006		544182001	RIGHT DOOR 74
006		544497100	
006		544497000	
006		531000900	MAGNET §22 KG.3 WITH DISK
006		544185500	UPPER DOOR HINGE FOR COMPARTME CF70
006		544185201	
006		533107100	
006		544185101	RIGHT DOOR 74 CF
006		544185400	LOWER DOOR HINGE FOR COMPARTME CF70