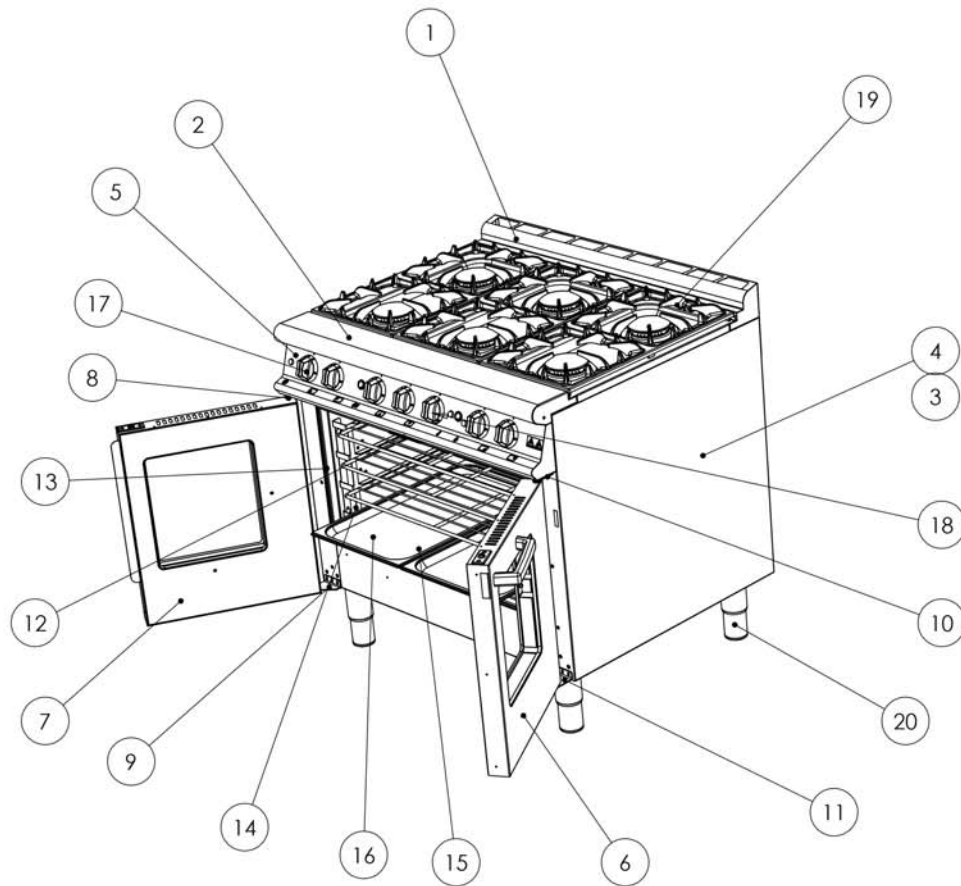


DOMINATOR PLUS

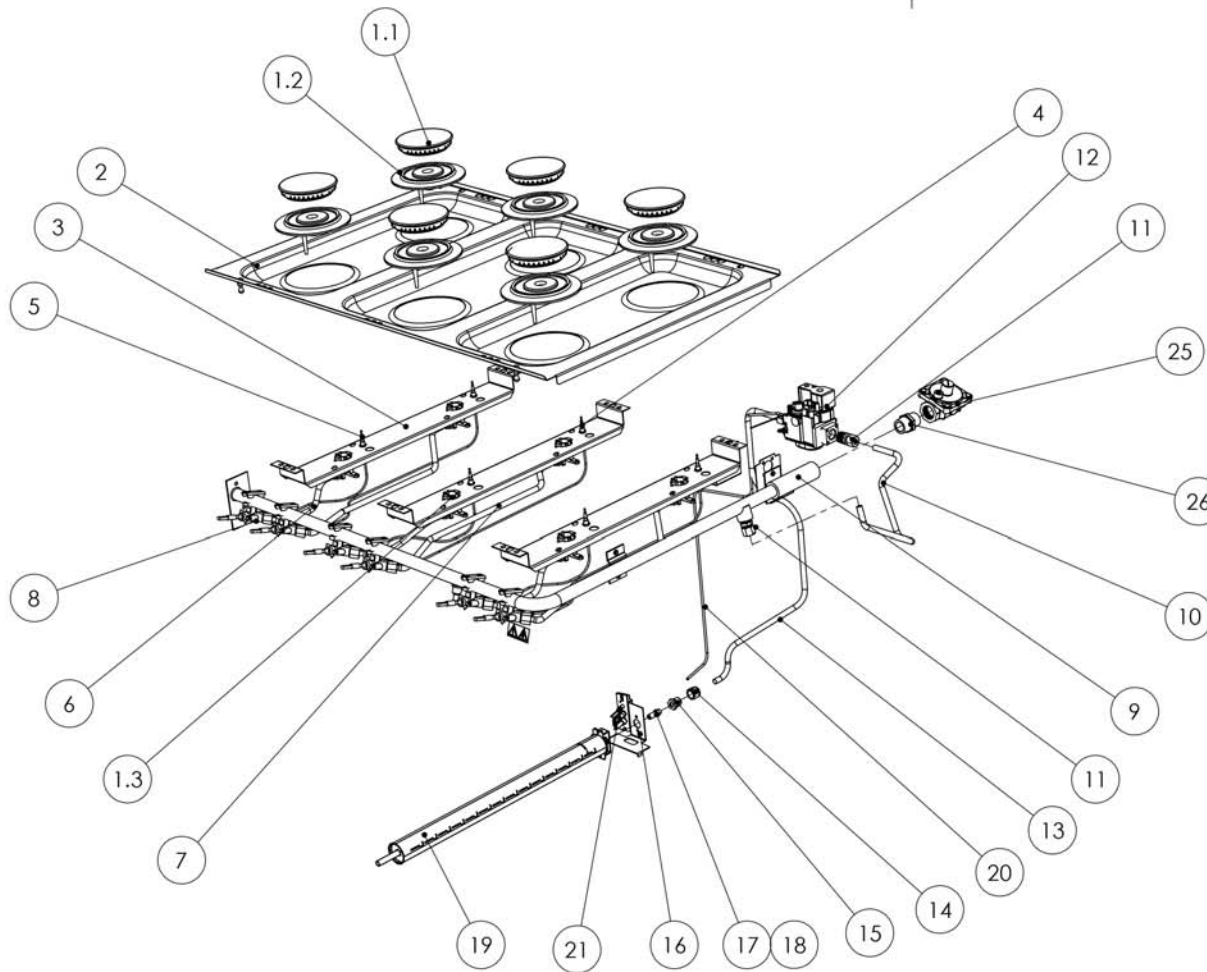


ITEM	DESCRIPTION	G3106 SPARES No
1	REAR HOB RAIL	535290017
2	FRONT HOB RAIL	535290018
3	RH OUTER SIDE PANEL	535270000
4	LH OUTER SIDE PANEL	535270001
5	CONTROL PANEL	535270002
6	RH DOOR ASSEMBLY	535270003
6.1	DOOR HANDLE	535290022
6.2	DOOR CATCH	535480054
6.3	DOOR HINGE BUSH	535480077
7	LH DOOR ASSEMBLY	535270004
7.1	DOOR HANDLE	535290022
7.2	DOOR CATCH	535480054
7.2	DOOR HINGE BUSH	535480077
8	TOP DOOR HINGE - LH	535200006
9	BOTTOM DOOR HINGE - LH	535200007
10	TOP DOOR HINGE - RH	535200008
11	BOTTOM DOOR HINGE - RH	535200009
12	DOOR CATCH KEEPER	535200013
13	DOOR SEAL	535270005
14	OVEN SHELF HANGER	535270006
15	OVEN SHELF	535270007
16	OVEN BASE TRAY	535270008
17	O/T - CONTROL KNOB	535290025
18	OVEN CONTROL KNOB	535270009
19	PAN SUPPORT	535290027
20	ADJUSTABLE FOOT	535290028
21	REAR FIXED CASTOR (NOT SHOWN)	534103055
22	FRONT SWIVEL CASTOR (NOT SHOWN)	530964350



Issue	Alteration	Date	Product	Document Reference
A	Initial Issue	28/10/14	G3106	AA49910

DOMINATOR PLUS

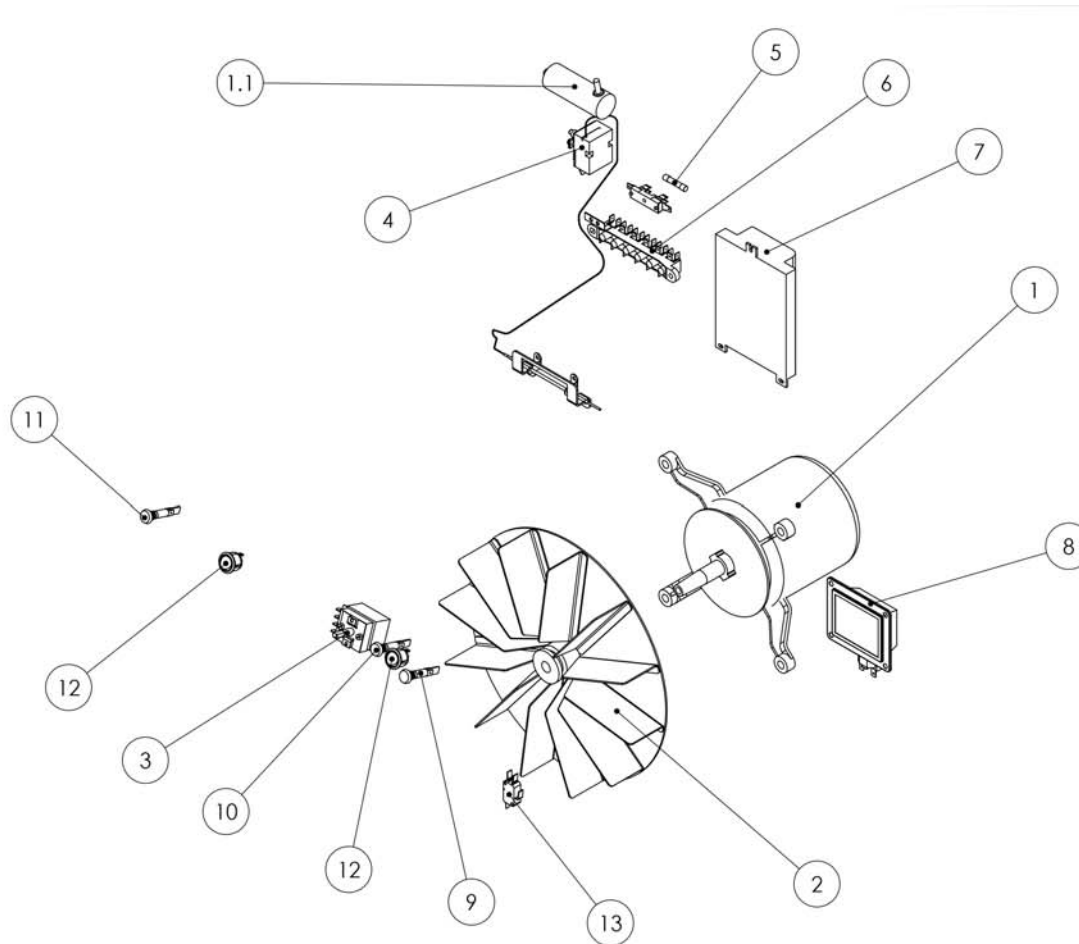


ITEM	DESCRIPTION	G3106 SPARES No
1	O/T BURNER ASSEMBLY COMPLETE	535290006
1.1	O/T BURNER CAP ASSEMBLY	535290000
1.2	O/T BURNER BASE	535290001
1.3	O/T INJECTOR HOLDER NAT GAS & PROPANE	535290003
1.3.1	O/T 1.93 NAT GAS INJECTOR	535290004
1.3.2	O/T 1.2 PROPANE INJECTOR	535290005
1.3.3	8mm OLIVE	535480027
1.3.4	TUBE NUT	535480028
2	HOB PANEL	535400150
3	O/T BURNER SUPPORT BAR	535290002
4	O/T REAR THERMOCOUPLE	535480012
5	O/T FRONT THERMOCOUPLE	535480011
6	O/T FRONT FLEXI PIPE C/W OLIVES	535400045
7	O/T REAR FLEXI PIPE C/W OLIVES	535400055
8	O/T CONTROL VALVE NAT GAS & PROPANE	535200021
8.1	8MM OLIVE	535480027
8.2	TUBE NUT	535290007
8.3	NAT GAS BYPASS SCREW (76)	535290008
8.4	PROPANE BYPASS SCREW (51)	535290009
9	FLOAT RAIL	535270010
10	VALVE FLEXI PIPE C/W OLIVES	535010010
11	VALVE PIPE COUPLING	534100061
12	OVEN GAS VALVE NAT GAS & PROPANE	535270011
13	OVEN FLEXI PIPE C/W OLIVES	535101027
14	OVEN PIPE COUPLING	535270012
15	REDUCER	535500027
16	PILOT BRACKET	535270013
17	OVEN BURNER INJECTOR NAT GAS	535270014
18	OVEN BURNER INJECTOR PROPANE	535270015
19	OVEN BURNER	535270016
20	PILOT FLEXI PIPE C/W OLIVES	535270017
21	PILOT C/W ELECTRODE & SENSOR NG & PROP	535270018
21.1	ELECTRODE	535270019
21.2	SENSOR	535270020
21.3	PILOT INJECTOR NAT GAS - G31.2	535000013
21.4	PILOT INJECTOR PROPANE - G25.1	535010032
22	PILOT ELECTRODE LEAD (NOT SHOWN)	535270021
23	PILOT SENSOR LEAD (NOT SHOWN)	535270022
24	PILOT EARTH LEAD (NOT SHOWN)	535270023
25	GOVERNOR	535480015
26	3/4" FITTING	535480016
	CONVERSION KIT NAT GAS TO PROPANE	535270024
	CONVERSION PROPANE TO NAT GAS	535270025



Issue	Alteration	Date	Product	Document Reference
A	Initial Issue	28/10/14	G3106	AA49909

DOMINATOR PLUS



		G3106
ITEM	DESCRIPTION	SPARES No
1	FAN MOTOR	535270026
1.1	FAN MOTOR CAPACITOR	535270029
2	FAN IMPELLER	535270027
3	OVEN THERMOSTAT C/W FAN SWITCH	535420006
4	OVEN SAFETY THERMOSTAT	535270030
5	FUSE 5A ANTI-SURGE	536430009
6	INCOMING TERMINAL BLOCK	731000006
7	IGNITION BOX	536300024
8	OVEN LAMP ASSY C/W BULB	535270028
8.1	LAMP BULB	734350190
9	AMBER NEON	531740440
10	GREEN NEON	534510270
11	RED NEON	531740450
12	LIGHT/ RESET SWITCH	535770068
13	DOOR MICRO SWITCH	531740480



Issue	Alteration	Date	Product	Document Reference
A	Initial Issue	28/10/14	G3106	AA49911