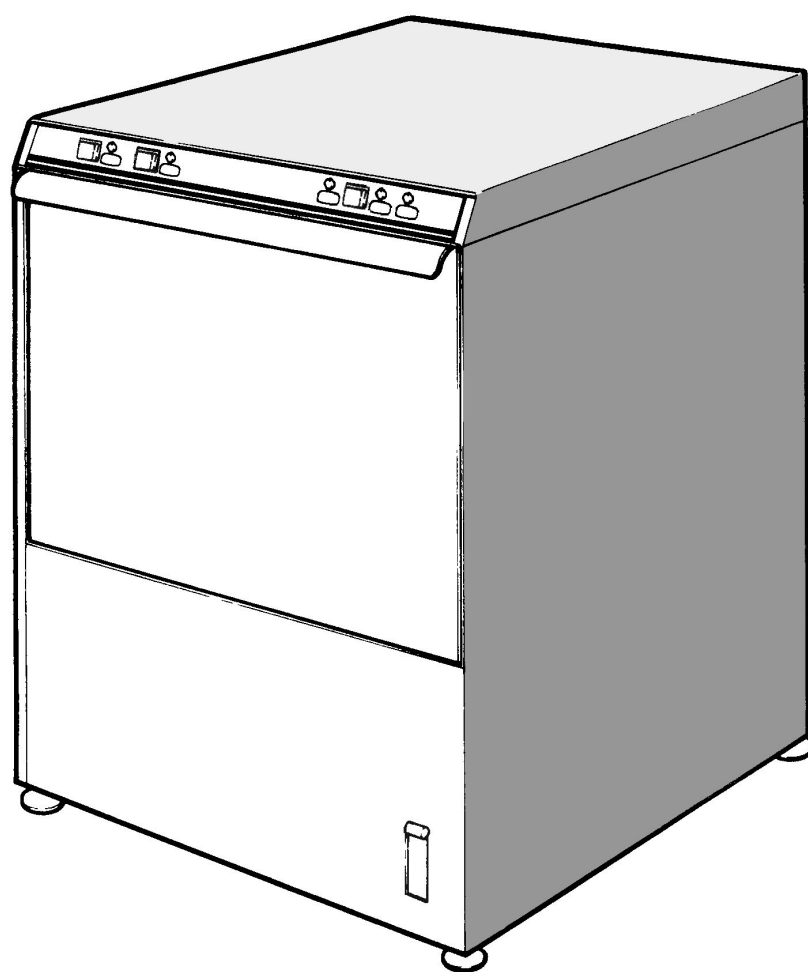
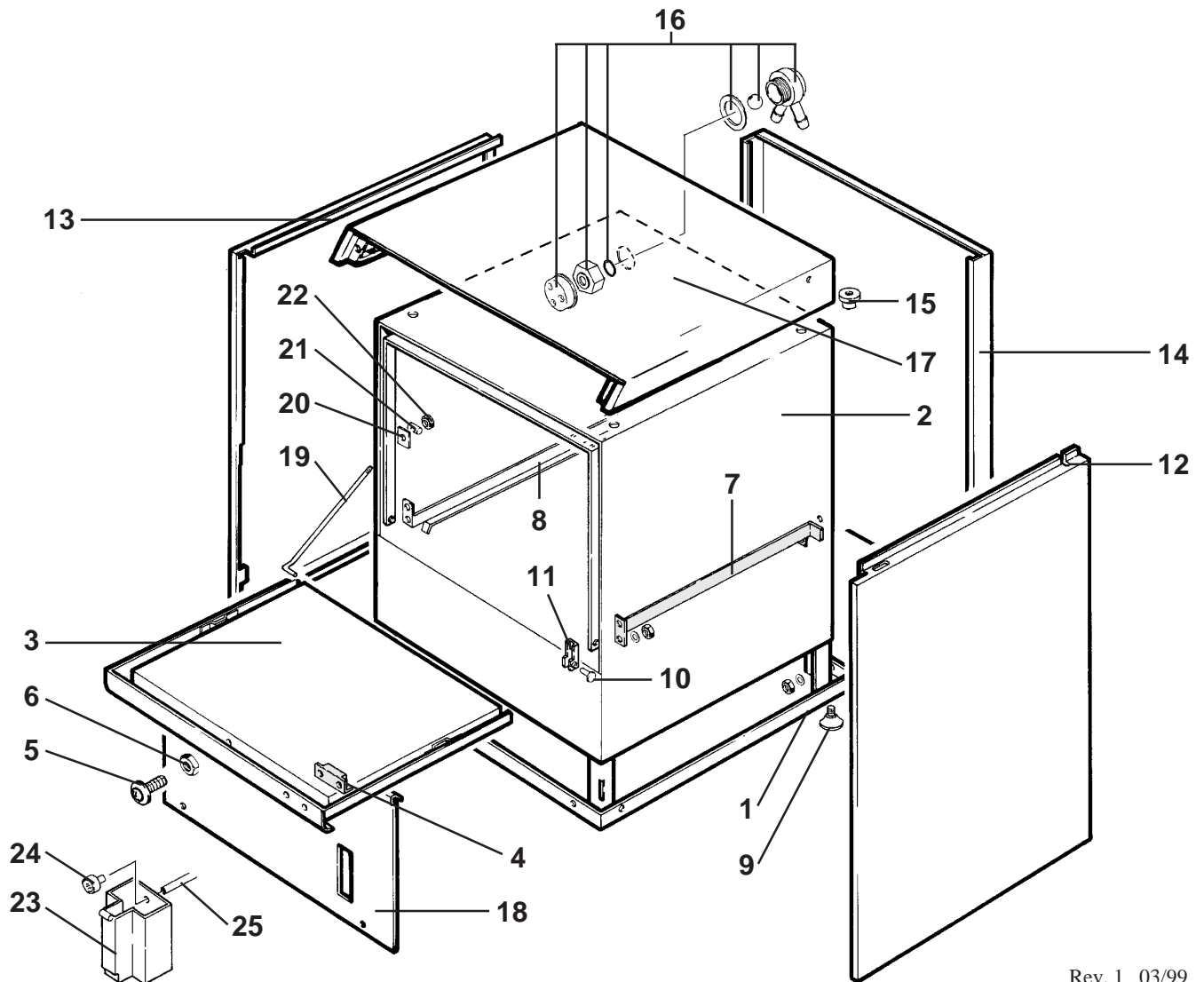


**LAVASTOVIGLIE INDUSTRIALI**  
**INDUSTRIAL DISHWASHER**  
**LAVE-VAISSELLE INDUSTRIELS**  
**INDUSTRIEGESCHIRRSPÜLES**



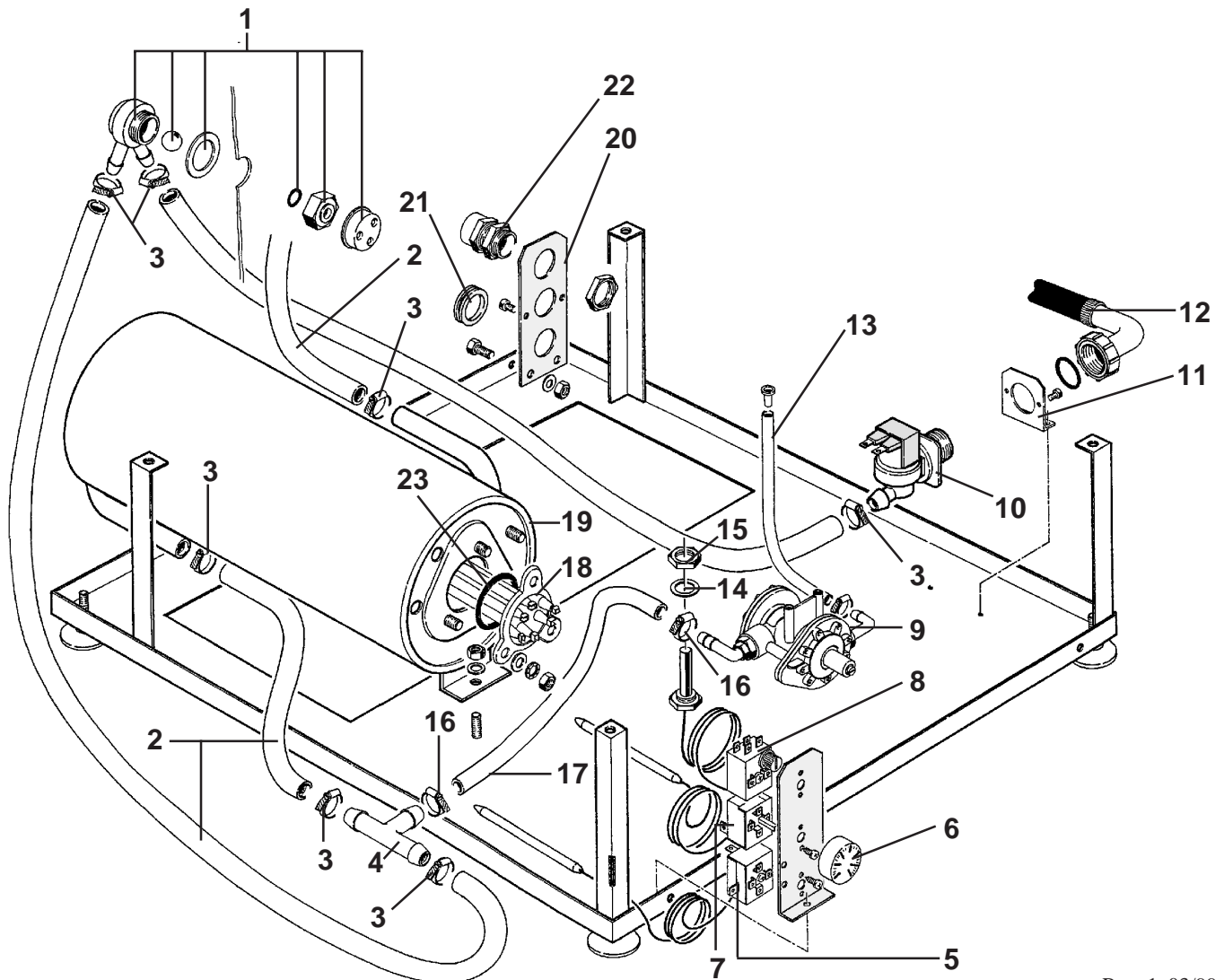
**700**

*MANUALE DI RICAMBI*  
**SPARE PARTS**  
*CATALOGUES PIÉCES*  
**ERSATZTEILEKATALOG**



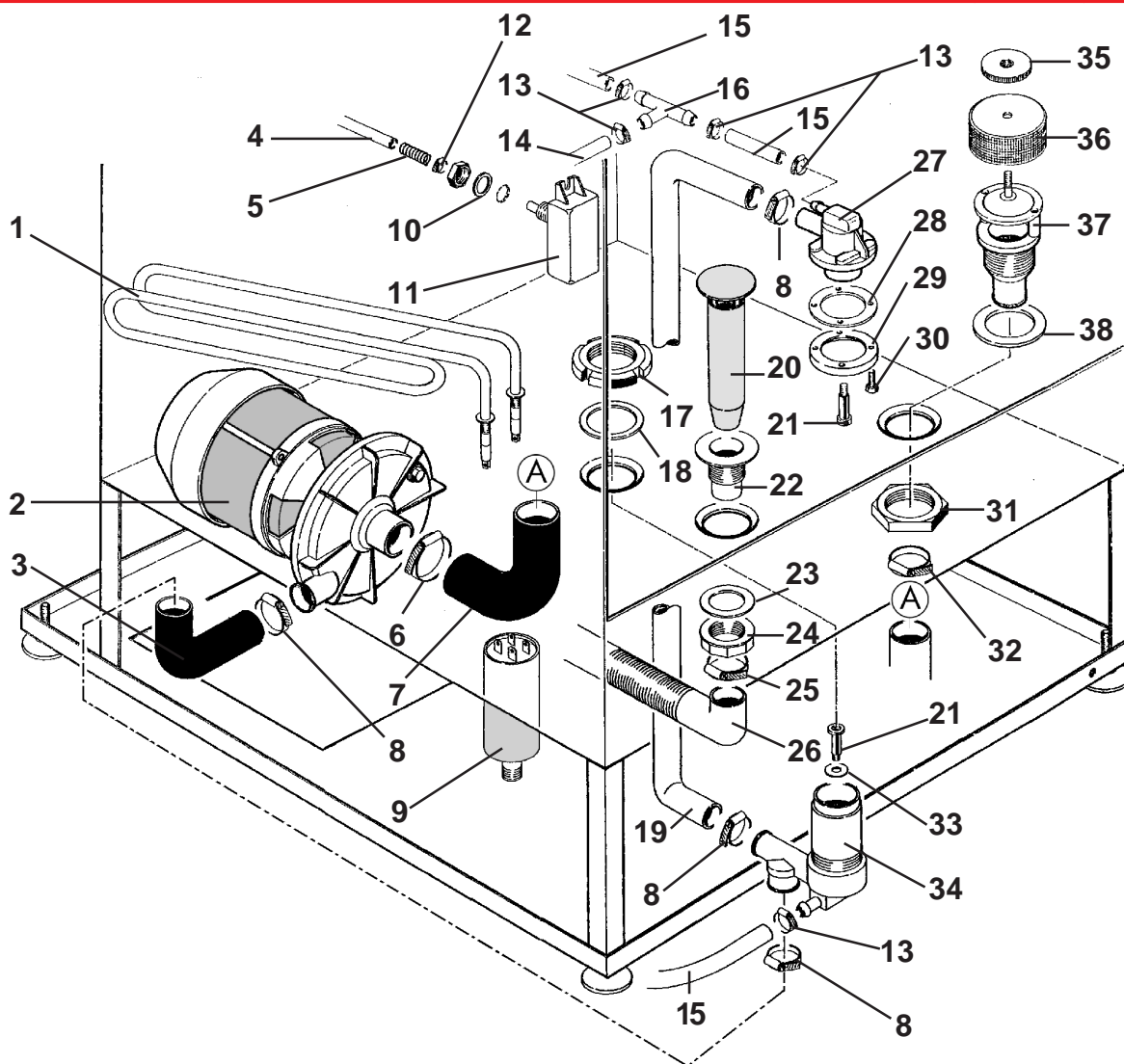
Rev. 1 03/99

Pos	COD.	DESCRIZIONE	DENOMINATION	DESCRIPTION	BEZEICHNUNG
1	900261	BASAMENTO	SOCLE	BASE	UNTERSTRUKTUR
2	901911	VASCA	CUVE	TANK	TANK
3	905171	PORTA	PORTE	DOOR	TÜR
4	TR0220	CUSTODIA CON MAGNETE	PROTECTION MAGNETO	COVER MAGNET	MAGNETSCHUTZ
5	906121	SCROCCHETTO	CLIQUET FERMETURE PORTE	DOOR CATCH	SCHNAPPVERSCHLUSS
6	902023	DADO SCROCCHETTO	ECROU DE CLIQUET	NUT CATCH	KLIKENMUTTER
7	901678	GUIDA CESTELLI DX	COULISSE PANIER DROITE	BASKET GUIDE	KORBÜFHRUNG
8	901677	GUIDA CESTELLI SX	COULISSE PANIER GAUCHE	BASKET GUIDE	KORBÜFHRUNG
9	904990	PIEDINO	PIED	RUBBER LEG	EINSTELLBARER SOCKE
10	904795	PERNO PORTA	TOURILLON DE LA PORTE	DOOR PIN	TÜRSCHARNIERESTIFT
11	901245	CERNIERA	PATTE	DOOR SUPPORT	SCHARNIER
12	904544	PANNELLO LATERALE DX	PANNEAU DROITE	RIGHT PANEL	RECHTE VERKLEIDUNG
13	904554	PANNELLO LATERALE SX	PANNEAU GAUCHE	LEFT PANEL	LINKE VERKLEIDUNG
14	904645	PANNELLO POSTERIORE	PANNEAU POSTERIEUR	BACK PANEL	HINTERE VERKLEIDUNG
15	902132	GHIERA FISS. PAN. SUP.	VIROLE	LOCK-NUT	NUT-MUTTER
16	TR2433	VALVOLA ANTIRIFLUSSO	VALVE	VALVE	VENTIL
17	904578	PANNELLO SUPERIORE	PANNEAU SUPERIEUR	UPPER SIDE PANEL	OBERE VERKLEIDUNG
18	904511	PANNELLO INFERIORE	PANNEAU INFERIEUR	LOWER PANEL	UNTERE VERKLEIDUNG
19	907240	TIRANTE PORTA	TIRANT DU PORTE	DOOR SCREW STAY	TÜRZUGSTANGE
20	904952	PIASTRINA	PLAQUETTE	PLATE	PLATTEKEN
21	905424	FERMO PORTA	FERMETURE PORTE	DOOR SUPPORT	TÜRHALTERUNG
22	902040	DADO ATB M6	ECROU	NUT	MUTTER
23	901761	CONTENITORE BRILLANT.	RECIPIENT BRILLANTANT	GLASS-AGENT CONTAINER	GLANZSPÜLMITTELBEHALTE
24	902569	FILTRO	FILTRE	FILTER	FILTER
25	907270	TUBO ASPIR. BRILLANTANTE	TUYAU	PIPE	LAUCH



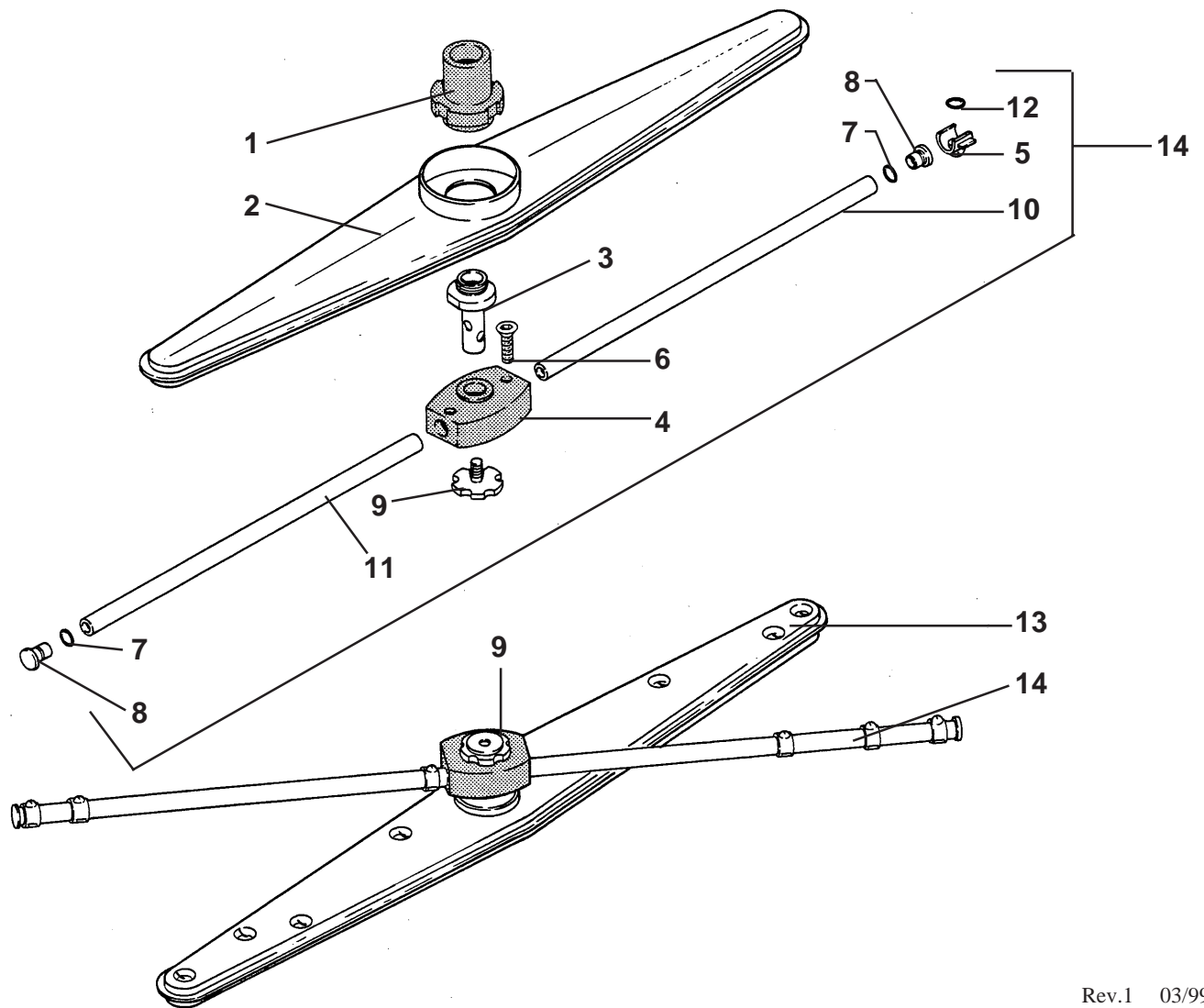
Rev. 1 03/99

Pos	COD.	DESCRIZIONE	DENOMINATION	DESCRIPTION	BEZEICHNUNG
1	TR2433	VALVOLA ANTIRIFLUSSO	VALVE	VALVE	VENTIL
2	907295	TUBO GOMMA 12 x 19,5	TUYAU ENCAOUTCHOU	RUBBERHOSE	GUMMISCHLAUSCH
3	902440	FASCETTA 13 ÷ 20	COLLIER	CLAMP	SHELLE
4	905381	RACCORDO A "T"	RACCORD	PIPEFITTING	ANSCHLUSSE
5	907125	TERMOSTATO DI SICUREZZA	THERMOSTAT	THERMOSTAT	THERMOSTAT
6	903982	MANOPOLA	BOUTON	KNOB	KNOFF
7	907110	TERMOSTATO REG. 0°-90°	THERMOSTAT	THERMOSTAT	THERMOSTAT
8	907124	TERMOSTATO VASCA	THERMOSTAT	THERMOSTAT	THERMOSTAT
9	902199	DOSATORE	DOSEUR	RINSE AIDISPENSER	DOSIERSATZ
10	902390	ELETTOVALVOLA 1 VIA	SOUPAPE ELECTRIQUE	ELECTRIC VALVE	ELEKTROVENTIL
11	906365	SQUADRETTA	PALIER	BEARING	TRÄGE
12	907344	TUBO DICARICO	TUYAU D'ENTREE DE L'EAU	INLET PIPE	WASSERZUFÜHRROHR
13	907270	TUBO ASP. BRILLANTANTE	TUYAU	PIPE	LAUCH
14	903250	GUARNIZIONE	JOINT	GASKET	KABELBEFESTIGER
15	902061	GHIERA ½"	VIOLE	LOCK-NUT	NUT-MUTTER
16	902439	FASCETTA 11 ÷ 17	COLLIER	CLAMP	SHELLE
17	907359	TUBO GOMMA 8 x 15	TUYAU ENCAOUTCHOU	RUBBERHOSE	GUMMISCHLAUSCH
18	905560	RESISTENZA 4500W	RESISTANCE	HEATING ELEMENT	HEIZKÖRPER
19	900353	BOILER	CHAUFFE EAU	BOILER	HEISSWASSERSPEICHER
20	954007	SQUADRETTA	PALIER	BEARING	TRÄGE
21	904721	PASSACAVO	CHAUMARD	FAIRLEAD	KABELDURCHGANG
22	902683	PRESSACAVO PG16	FIXAGE DU CABLE D'ALIMENT.	FIXING CABLE	KABELBEFESTIGER
23	907981	O-RING	O-RING	O-RING	O-RING



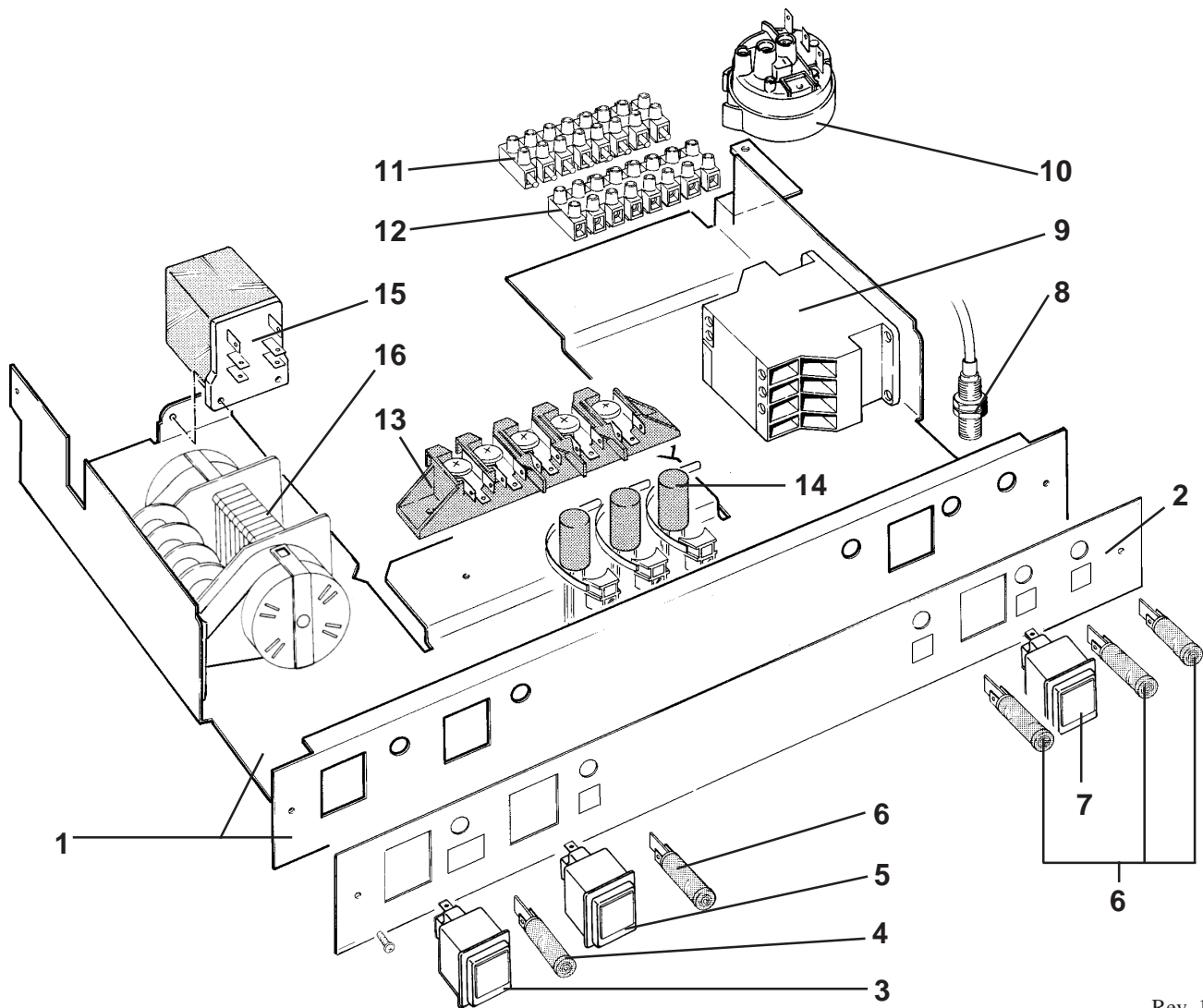
Rev. 1 03/99

Pos	COD.	DESCRIZIONE	DENOMINATION	DESCRIPTION	BEZEICHNUNG
1	905748	RESISTENZA 3000W	RESISTANCE	HEATINGELEMENT	HEIZKÖRPER
2	902299	POMPA 1 HP	POMPE	PUMP	PUMPE
3	903876	MANICOTTO MANDATA	MANCHON DE REFOULEM.	OUTLET ELBOW	AUSLASSMUFFE
4	907270	TUBO PRESSOSTATO	TUYAU PRESSOSTAT	PRESSURE SWITCH PIPE	SCHAUCH
5	904131	MOLLA	RESSORT	SPRING	FEDER
6	902441	FASCETTA 38 ÷ 50	COLLIER	CLAMP	SCHELLE
7	903875	MANICOTTO ASPIRAZIONE	MANCHON D'ASPIRATION	INTAKE PIPE FITTING	ANSAUGANSHLUSSE
8	902460	FASCETTA 26 ÷ 38	COLLIER	CLAMP	SCHELLE
9	901743	CONDENSATORE 16 µF	CONDENSEUR	CONDENSER	KONDENSATEUR
10	903260	GUARNIZIONE	JOINT	GASKET	DICHTUNG
11	907252	TRAPPOLA ARIA	RESERVOIR AIR	AIR TRAP	LUFTFALLE
12	902425	FASCETTA ELASTICA	COLLIER	CLAMP	SCHELLE
13	902440	FASCETTA 13 ÷ 20	COLLIER	CLAMP	SCHELLE
14	907295	TUBO GOMMA 12 x 19,5	TUYAU EN CAOUTCHOUC	RUBBER HOSE	GUMMISCHLAUSCH
15	907360	TUBO GOMMA 10 x 17	TUYAU EN CAOUTCHOUC	RUBBER HOSE	GUMMISCHLAUSCH
16	905382	RACCORDO A "T"	RACCORD	PIPE FITTING	ANSCHLUSSE
17	900035	GHIERA 1" 1/2	VIROLE	LOCK-NUT	NUT-MUTTER
18	903301	GUARNIZIONE	JOINT	GASKET	DICHTUNG
19	903790	MANICOTTO MANDATA SUP.	MANCHON DE REFOUL. SUP.	UPPER OUTLET. ELBOW	OBERE AUSLASSMUFFE
20	907310	TROPPOPIENO	NIVEAU	OVER FLOW	VERBELAUF
21	904765	PERNO LAVAGGIO	TOURILLON DE LAVAGE	WASH PIN	WASHSTIFT
22	905450	RACCORDO SCARICO 1" 1/4	RACCORD DECHARGE	PIPE FITTING FOR OUTLET	ABLAUFANSCHLUSS
23	904380	O-RING	O-RING	O-RING	O-RING
24	902080	GHIERA 1" 1/4	VIROLE	LOCK-NUT	NUT-MUTTER
25	902460	FASCETTA 26 ÷ 38	COLLIER	CLAMP	SCHELLE
26	907450	TUBO SCARICO	TUYAU DE DECHARGE	OUTLET PIPE	ABLAUF LAUCH
27	900033	MOZZO SUPERIORE	MOYEU SUPERIEUR	UPPER HUB	OBERE NABE
28	903330	GUARNIZIONE	JOINT	GASKET	DICHTUNG
29	901775	FLANGIA	FLASQUE	FLANGE	FLANSCH
30	907780	VITE T.E. M6 x 10	VIS	SCREW	SCHRAUBE
31	902090	GHIERA 1" 3/4	VIROLE	LOCK-NUT	NUT-MUTTER
32	902481	FASCETTA 44 ÷ 56	COLLIER	CLAMP	SCHELLE
33	906002	RONDELLA	RONDELLE	WASHER	UNTERLEGSCHLEIBE
34	900032	MOZZO INFERIORE	MOYEU INFERIEUR	LOWER HUB	UNTERE NABE
35	902850	GHIERA	VIROLE	LOCK-NUT	NUT-MUTTER
36	902590	FILTRO	FILTRE	FILTER	FILTER
37	905390	RACCORDO ASPIRAZIONE	RACCORD D'ASPIRATION	INTAKE PIPE FITTING	ANSAUGANSHLUSSE
38	903320	GUARNIZIONE	JOINT	GASKET	DICHTUNG



Rev.1 03/99

Pos	COD.	DESCRIZIONE	DENOMINATION	DESCRIPTION	BEZEICHNUNG
1	904277	MOZZO+GHIERA	MOYEU+VIROLE	HVB + RING - NUT	NABE + KLEMMUTTER
2	902908	GIRANTE LAVAGGIO	BRAS DE LAVAGE	WASH ARM	SPÜLLARM
3	904760	PERNO GIRANTE RISC.	TOURILLON DE RINÇAGE	RINSE PIN	SPÜLLSTIFT
4	904292	MOZZO GIRANTE RISC.	MOYEU	HVB	NABE
5	902816	GETTORISCIAQUO	JET DE RINÇAGE	RINSING JET	SPÜLLDUSE
6	907651	VITE TPS M 4x8	VIS	SCREW	SCHRAUBE
7	904321	O - RING	O - RING	O - RING	O - RING
8	906450	TAPPO PER BRACCIO RISC.	BOUCHON BRAS DE RING.	PLUG FOR RINSE ARM	VERSCHLUSS SPÜLLAUF.
9	902880	GHIERA BLOCCAGGIO	FRETTE DE BLOCAGE	RING - NUT	KLEMMUTTER
10	954806	BRACCIO RISCIAQUO DX	BRAS DE RINÇAGE DROITE	RIGHT RINSE ARM	RECHTE SPÜLLAUFRAD
11	954807	BRACCIO RISCIAQUO SX	BRAS DE RINÇAGE GAUCHE	LEFT RINSE ARM	LINKE SPÜLLAUFRAD
12	904388	O - RING	O - RING	O - RING	O - RING
13	903107	GIRANTE LAVAGGIO COMP.	BRAS DE LAVAGE	WASH ARM	SPÜLLARM
14	903017	GIRANTE RISCIAQUO COMP.	BRAS DE RINÇAGE	SWILL ARM	SPÜLLSTIFT



Rev. 1 03/99

Pos	COD.	DESCRIZIONE	DENOMINATION	DESCRIPTION	BEZEICHNUNG
1	905431	PANNELLO COMANDI V.	TABLEAU COMMANDE	ELECTRIC PANEL	SCHALT TAFEL
2	907059	TARGA	PLAQUETTE	PLATE	SCHILD
3	905326	INTERRUTTORE PREPARAZ.	INTERRUPTEUR DE PREP.	"PREPARATION" SWITCH	DRUCKKNOPF VORB.
4	903632	SPIA LINEA	LAMPE DE LIGNE	LINE LAMP	KONTROLLAMPE
5	905324	PULSANTE CICLO	BOUTON CYCLE	CYCLE PUSH BUTTON	DRUCKKNOPF ZYCLUS
6	903629	LAMPADA SPIA	LAMP VOYANT	PILOT LAMP	PILOT LAMPE
7	905326	INTERRUT. SELETT. TEMPI	INTERRUPT. SELECT. TEMPS	TIME SELECTOR SWITCH	WAHLSCHALTER
8	TR0309	REED MAGNETICO	REED	REED	REED
9	907041	TELERUTTORE	TELERUPTEUR	CONTACTOR	SCHUTZ
10	905270	PRESSOSTATO	PRESSOSTAT	PRESSURE SWITCH	DRUCHWAECHTER
11	904200	MORSETTIERE	BORNES	TERMINAL BOARD	KLEMMLEISTE
12	904170	MORSETTIERE	BORNES	TERMINAL BOARD	KLEMMLEISTE
13	904150	MORSETTIERE	BORNES	TERMINAL BOARD	KLEMMLEISTE
14	902105	FILTRI ANTIDISTURBO	FILTRE ANTIDERANGEMENT	NOISE FILTER	ENTSTORFILTER
15	905474	RELE'	RELAIS	RELAY	RELAIS
16	907182	TIMER CICLO	TIMER CYCLE	CYCLE TIMER	ZYCLUSZEITUHR