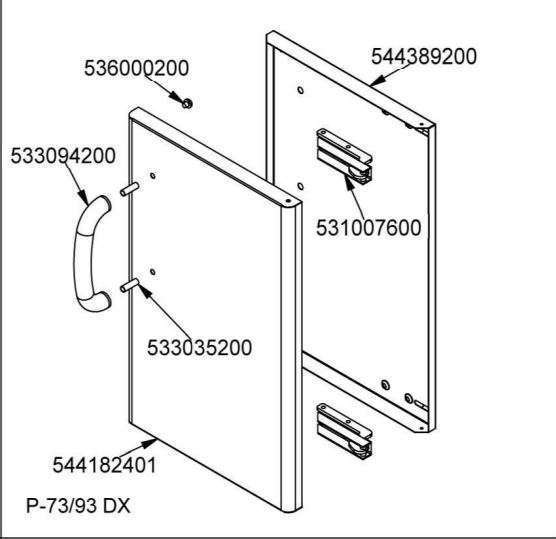


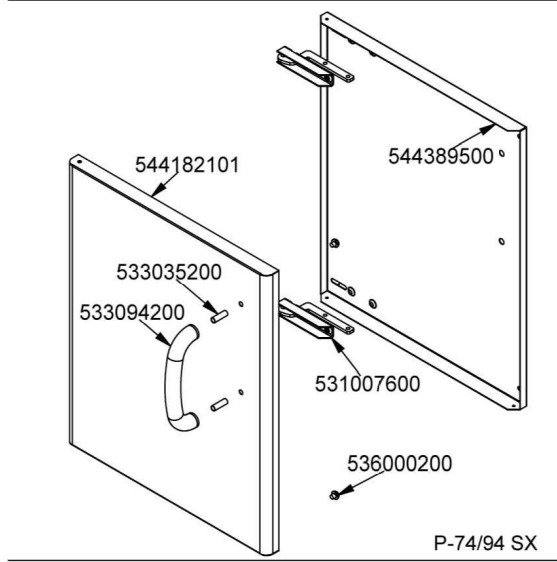
| | * | ** |
|------------------------------|-----------|-----------|
| G30-28+30mbar G31- 37mbar | 533020200 | 533015400 |
| G30- 50mbar | 533020200 | 533014700 |
| G20- 20mbar G25- 25mbar | 533020400 | 533120200 |
| G20- 20mbar DE-AT | 533020400 | 533120200 |
| G25- 20mbar | 533020400 | 533030900 |
| G25- 25mbar NL | 533020400 | 533030800 |



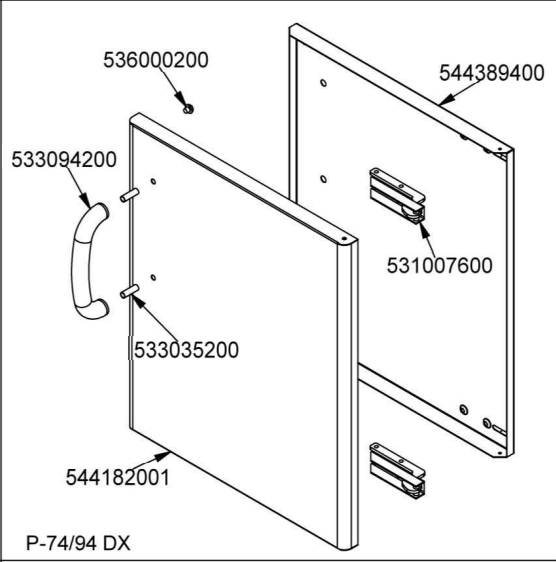
P-73/93 SX



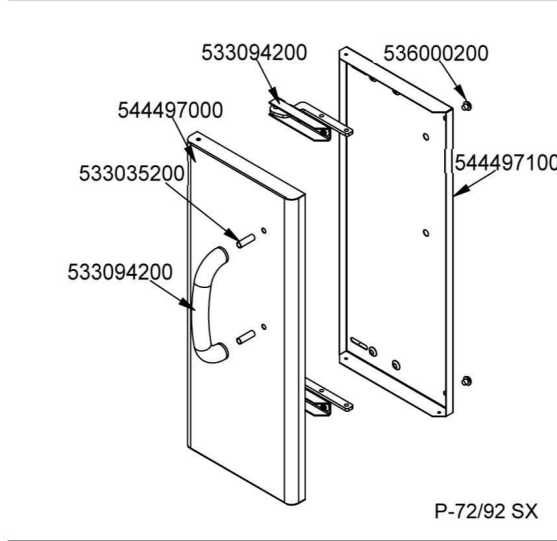
P-73/93 DX



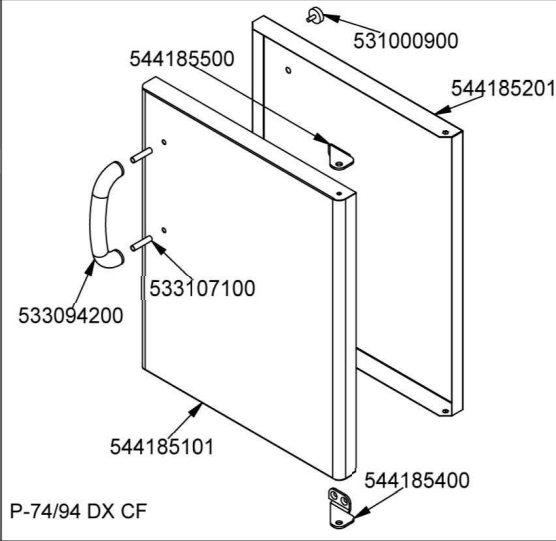
P-74/94 SX



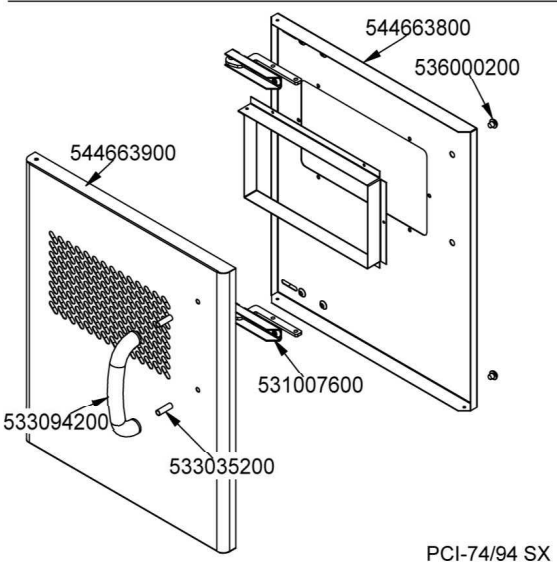
P-74/94 DX



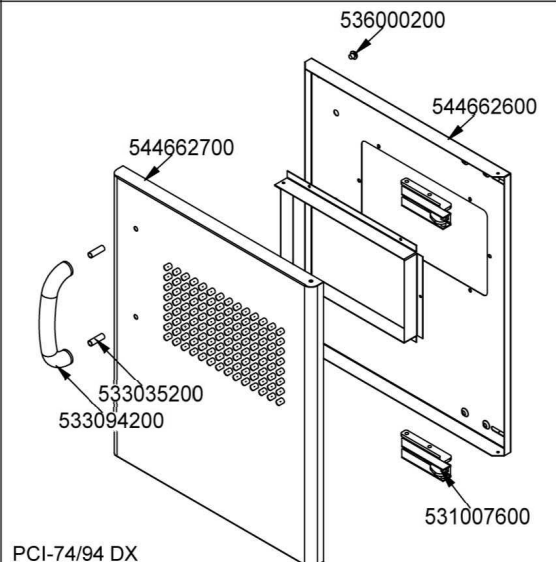
P-72/92 SX



P-74/94 DX CF



PCI-74/94 SX



PCI-74/94 DX

| Page | Pos | Code | Description |
|------|-----|-----------|-------------------------------------|
| 001 | | 533094300 | S/S HANDLE FOR 600T.LINE |
| 001 | | 544543800 | COP.VASCA F13-64G |
| 001 | | 531049400 | FRYER BASKET 301X273X120 F13-64G |
| 001 | | 541201400 | UPPER PLATE F 13 -64G |
| 001 | | 531054500 | TANK FILTER/BASKET SUPPORT F13-G60T |
| 001 | | 544508700 | FIANCO APP.S60M SX |
| 001 | | 531018600 | BALL VALVE 1"G M-F CPM-62G |
| 001 | | 541096801 | CONTROL PANEL S607090 F13 -74G |
| 001 | | 541096802 | ASS.CRUSC.S607090 F 13 -74G |
| 001 | | 541146300 | CONTROL PANEL FE-45 ORANGE *NEW L.* |
| 001 | | 541153901 | ASS.BAC.RACC.OLIO 18LT S60T |
| 001 | | 533044402 | M8 THREADED CAP FOR SEC.THERMOSTAT |
| 001 | | 537010000 | SAFETY THERMOSTAT 220°C SINGLEPHASE |
| 001 | | 544508600 | FIANCO APP.S60M DX |
| 001 | | 544183801 | LOWER CONTROL PANEL 74G |
| 001 | | 544183802 | PANN.COMANDI INF.74G |
| 001 | | 531048400 | INOX LEG Ø1"3/4 100-165 M10 |
| 002 | | 533011000 | PILOT BURNER 3 FLAMES 320 |
| 002 | | 533067200 | THERMOCOUPLE 220+500 M9*1 CUT-OFF |
| 002 | | 533010400 | BICONE D.6 |
| 002 | | 533018500 | FITTING FOR BICONE D.6 M10*1 |
| 002 | | 533018600 | PLUG FITTING |
| 002 | | 547003200 | HIGH-VOLTAGE CABLE TUBE.§2 L=500 |
| 002 | | 533085200 | SPACER FOR PILOT PLUG |
| 002 | | 537008300 | ROUND PLUG §2,4- LONG ELECTRODE |
| 002 | | 536005100 | GRAPHITE §07,4 GASKET |
| 002 | | 533008600 | STUFFING BOX M9*1 |
| 002 | | 533053600 | EUROSIT VALVE PLUG |
| 002 | | 533017900 | BICONE D.12 |
| 002 | | 533018000 | ELBOW FOR BICONE D.12 3/8 RS L20 |
| 002 | | 533009400 | BICONE 10S |
| 002 | | 533009500 | NIPPLE FOR BICONE 10S |
| 002 | | 531056700 | BURNER FOR FRYER 60T+55 |
| 002 | | 544378000 | BOCCOLA REG.ARIA BRU.F13T S70 |
| 002 | | 537002800 | PIEZOELECTRIC IGNITION M18 WITH NUT |
| 002 | | 539018900 | INDEX FOR KNOB W/RED SIGN |
| 002 | | 531025201 | EUROSIT VALVE FQ 110-190°C |
| 002 | | 533139300 | BURNISH HEADLESS SCREW M05*05 PCEI |
| 002 | | 533139200 | SHORT PIVOT FOR BRASS KNOB |
| 002 | | 533039100 | BICONE §6 |
| 002 | | 531025200 | EUROSIT VALVE FQ 110-190°C |
| 002 | | 533040600 | HEADLESS SCREW M4*8 |
| 002 | | 533102500 | SHORT PIVOT FOR PLASTIC KNOB |
| 002 | | 536034700 | KNOB §77 4P. §08*6,5 F§30 |
| 002 | | 539054200 | STAMP Ø20,5 CR."L" LOTUS R. |
| 002 | | 539062400 | RED STICKING DISK 72 (110,190° |
| 002 | | 533020200 | PILOT JETS 0160 FOR LPG §30 |
| 002 | | 533020400 | NOZZLE 0160 (NATURAL GAS) 51 |
| 002 | | 533015400 | NOZZLE §93 CH12*14 G-PC4 R |
| 002 | | 533014700 | NOZZLE §85 CH12*14 F-FQ5 |
| 002 | | 533030900 | NOZZLE §165 CH12X14 H-CW |

| Page | Pos | Code | Description |
|------|-----|-----------|-------------------------------------|
| 002 | | 533030800 | NOZZLE §155 CH12X14 M-CW |
| 003 | | 544389300 | CONTROP.73 SX APP. LT |
| 003 | | 531007600 | DOOR HINGE |
| 003 | | 544182501 | LEFT DOOR 73 |
| 003 | | 533094200 | S/S HANDLE FOR 70/90 SERIES |
| 003 | | 533035200 | HANDLE SPACER |
| 003 | | 536000200 | D.12 H.4 BUMPER |
| 003 | | 544389200 | CONTROP.73 DX APP. LT |
| 003 | | 544182401 | RIGHT DOOR 73 |
| 003 | | 544182101 | LEFT DOOR 74 |
| 003 | | 544389500 | INNER-DOOR OF LHD 74 |
| 003 | | 544389400 | CONTROP.74 DX APP. LT |
| 003 | | 544182001 | RIGHT DOOR 74 |
| 003 | | 544497000 | PORTA 72 SX |
| 003 | | 544497100 | CONTROP.72 SX APP. LT |
| 003 | | 544185101 | RIGHT DOOR 74 CF |
| 003 | | 533107100 | HANDLE SPACER OF CF-70 |
| 003 | | 544185500 | UPPER DOOR HINGE FOR COMPARTME CF70 |
| 003 | | 531000900 | MAGNET §22 KG.3 WITH DISK |
| 003 | | 544185201 | INNER DOOR * 74DX |
| 003 | | 544185400 | LOWER DOOR HINGE FOR COMPARTME CF70 |
| 003 | | 544663900 | LHD 74 DOOR FOR PCI |
| 003 | | 544663800 | 74 LHD OVEN INNER DOOR FOUR PCI |
| 003 | | 544662700 | DOOR 74 DX PCI |
| 003 | | 544662600 | CONTROP.74 DX APP. LT PCI |