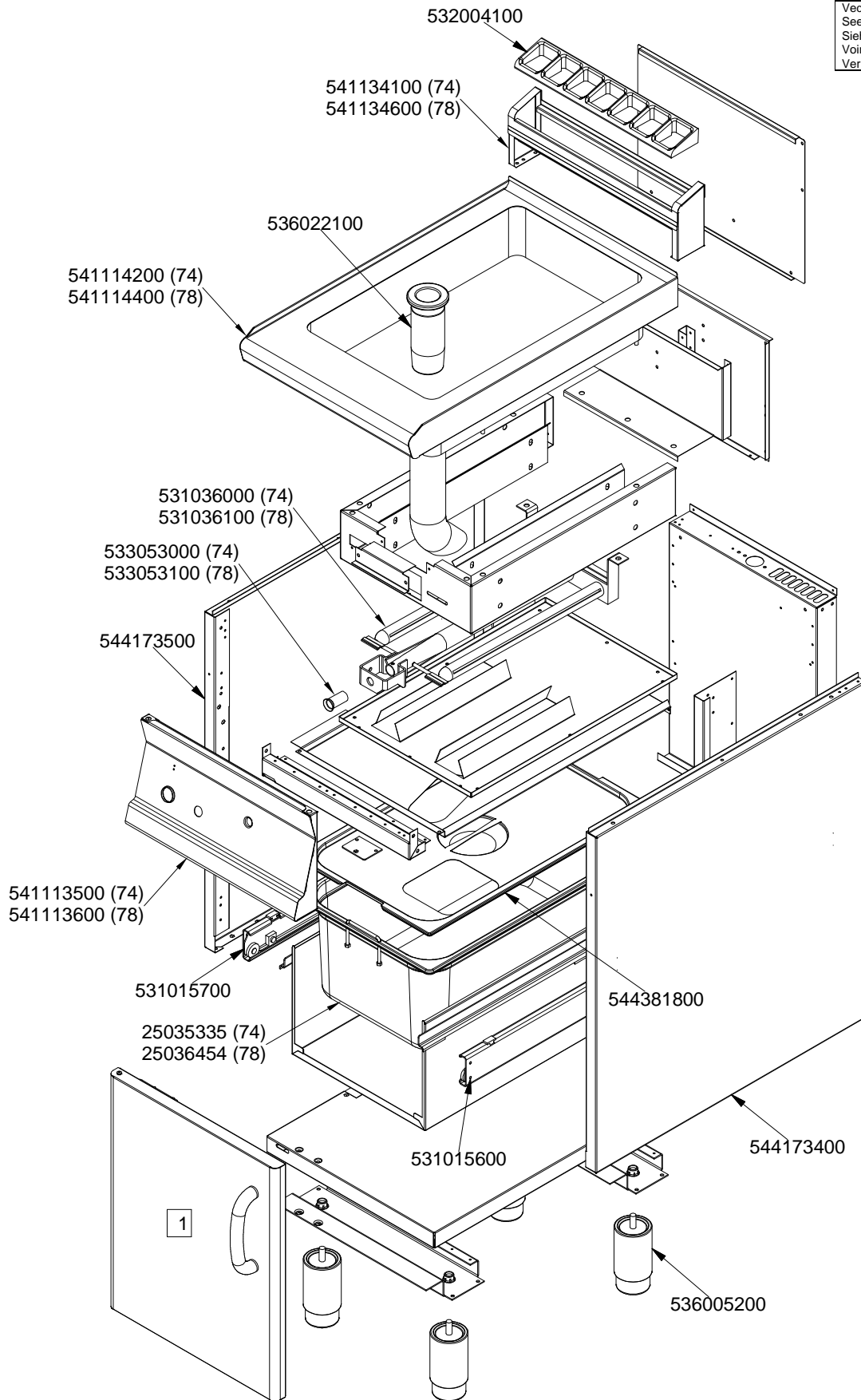


BRF-74G BRF-78G

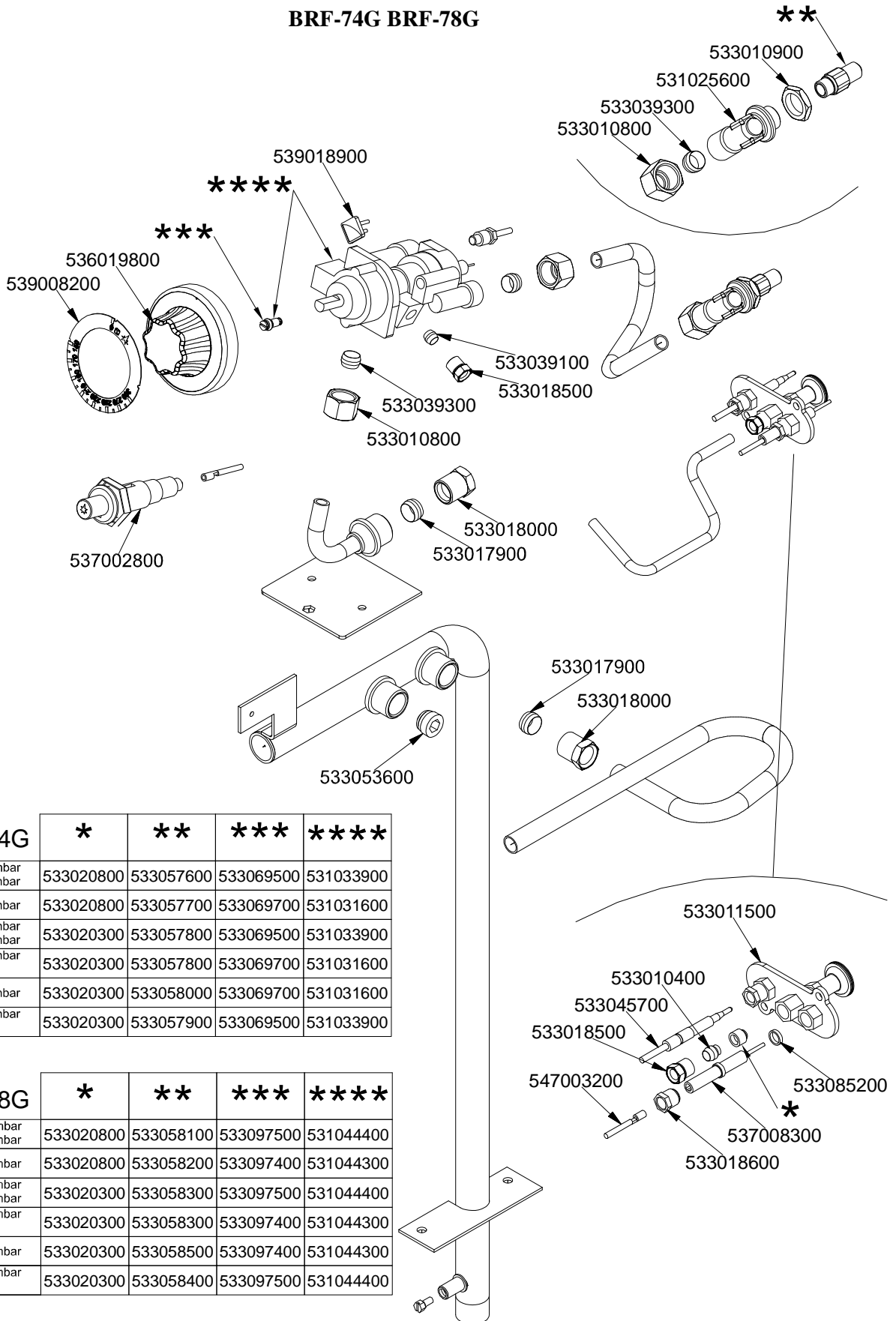
	1
Vedi Pagina See Page Siehe Seite Voir Page Ver Pagina	216



SUPERLOTUS 70≥0602

GAS / GAS / GAS / GAZ

BRF-74G BRF-78G

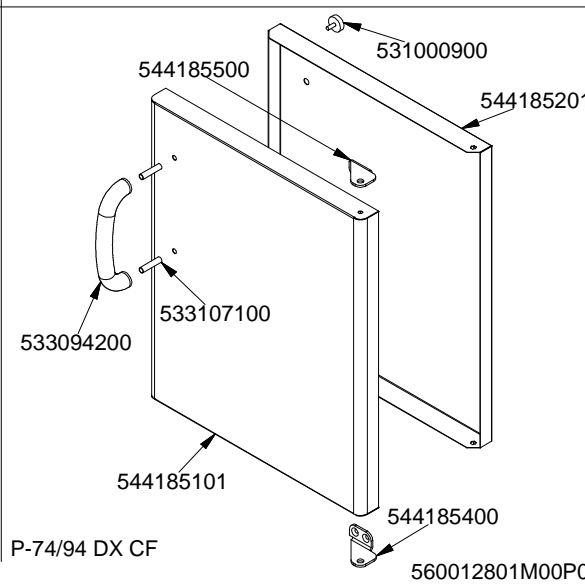
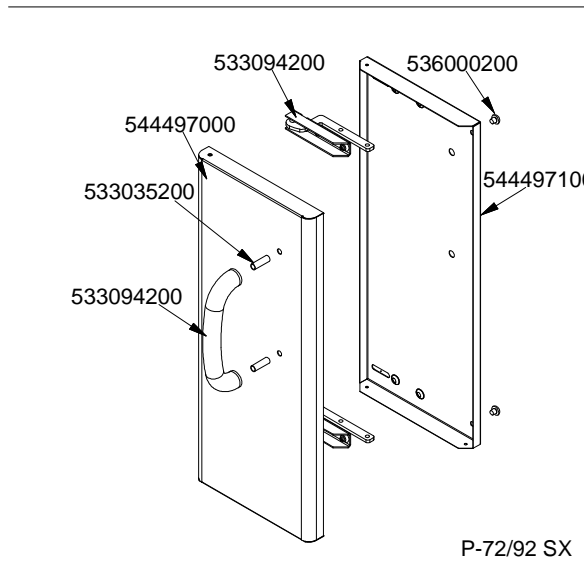
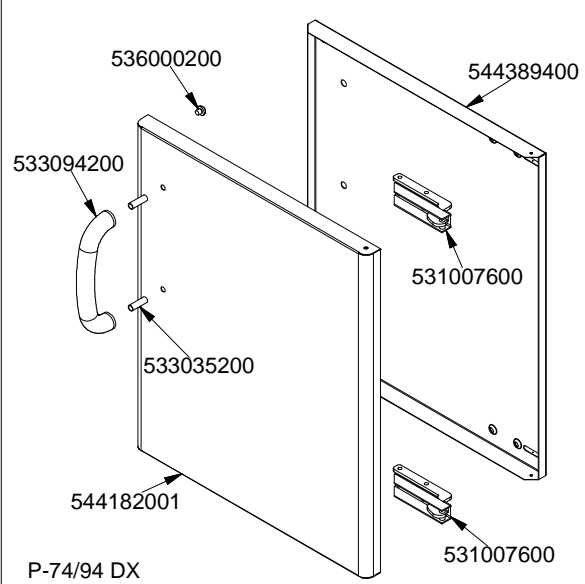
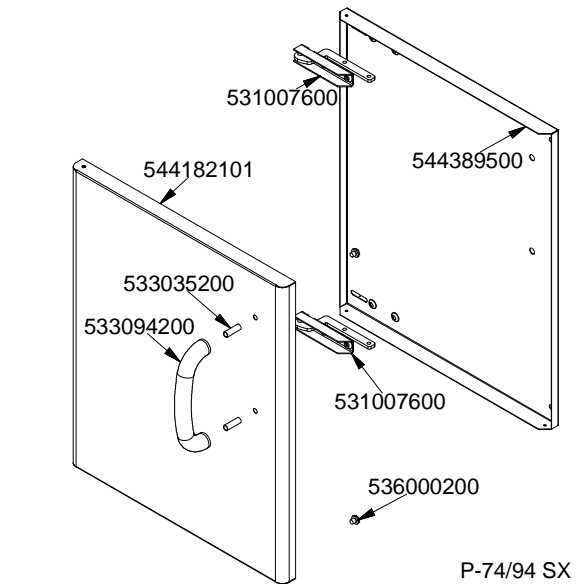
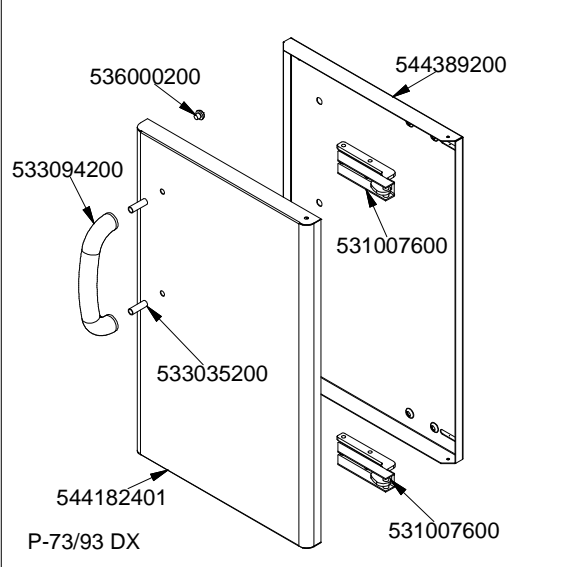
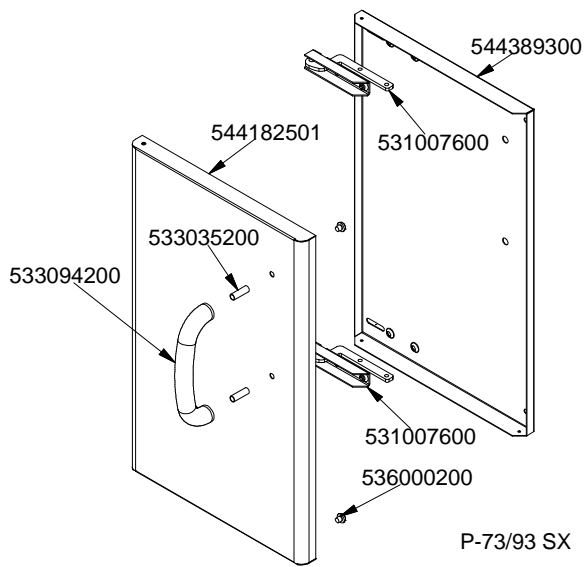


BRF-74G	*	**	***	****
G30-28+30mbar G31- 37mbar	533020800	533057600	533069500	531033900
G30- 50mbar	533020800	533057700	533069700	531031600
G20- 20mbar G25- 25mbar	533020300	533057800	533069500	531033900
G20- DE-AT	533020300	533057800	533069700	531031600
G25- 20mbar	533020300	533058000	533069700	531031600
G25- NL	533020300	533057900	533069500	531033900

BRF-78G	*	**	***	****
G30-28+30mbar G31- 37mbar	533020800	533058100	533097500	531044400
G30- 50mbar	533020800	533058200	533097400	531044300
G20- 20mbar G25- 25mbar	533020300	533058300	533097500	531044400
G20- DE-AT	533020300	533058300	533097400	531044300
G25- 20mbar	533020300	533058500	533097400	531044300
G25- NL	533020300	533058400	533097500	531044400

560029501M00P00

PORTE / DOORS / FLÜGELÜREN / PORTES



Page	Pos	Code	Description
001		532004100	FLUE GRID L=370 70LINE (RAF)
001		541134100	LOW SPACER 74 1 GRID
001		536022100	PLUG FOR BRF BASIN
001		541114200	UPPER PLATE BRF-74G
001		531036000	BURNER BRF-74G 07KW
001		533053000	AIR ADJUSTMENT BUSHING §18
001		544173500	LEFT SIDE PANEL S.70
001		541113500	UPPER PLATE BRF-74G
001		531015700	LHD TELESCOPIC GUIDE RS50 L=570
001		544381800	GN1/1 LID BRF W/MANUAL DISCHARGE
001		25035335	
001		544173400	RIGHT SIDE PANEL S.70
001		531015600	RHD TELESCOPIC GUIDE RS50 L=570
001		536005200	INOX LEG 2" 120-180 M10
002		533010900	NUT M14*1 H.4
002		531025600	ELBOW 90° NOZZLE-HOLDER §10 PIPE
002		533039300	BICONE §10
002		533010800	TUBE NUT D.10 M16*1,5
002		539018900	INDEX FOR KNOB
002		536019800	BLACK KNOB §70 PIN §8*6,5
002		539008200	ADHESIVE GRADUATED DISC FOR KNOB
002		533039100	BICONE §6
002		533018500	FITTING FOR BICONE D.6 M10*1
002		537002800	PIEZOELECTRIC IGNITION M18
002		533017900	BICONE D.12
002		533018000	ELBOW FOR BICONE D.12 3/8 RS L20
002		533053600	EUROSIT VALVE PLUG
002		533011500	PILOT BURNER 2 FLAMES 220
002		533010400	BICONE D.6
002		533045700	THERMOCOUPLE M9*1 500
002		547003200	HIGH-VOLTAGE CABLE TUBE.§2 L=500
002		533085200	
002		537008300	ROUND PLUG §2,4- LONG ELECTRODE
002		533018600	PLUG FITTING
002		533020800	NOZZLE 0160-FLUSS. (25)
002		533057600	NOZZLE §115A CH12*30 G-BRF74
002		533069500	BY PASS COCK §085 25ST
002		531033900	HORIZON.THERMOSTATIC TAP BYPASS §85
002		533057700	NOZZLE §130A CH12*30 F-BRF74
002		533069700	BY PASS COCK §075 25ST
002		531031600	HORIZON.THERMOSTATIC TAP BY-PASS 75
002		533020300	NOZZLE 0160 (NATURAL GAS) 1-2 (41)
002		533057800	NOZZLE §205A CH12*30 H-BRF74
002		533058000	NOZZLE §225A CH12*30 L-BRF74
002		533057900	NOZZLE §215A CH12*30 NL-BRF74
003		544389300	
003		531007600	DOOR HINGE
003		544182501	LEFT DOOR 73
003		533035200	
003		533094200	S/S HANDLE FOR 70/90 SERIES
003		536000200	D.12 H.4 BUMPER

Page	Pos	Code	Description
003		544389200	
003		544182401	RIGHT DOOR 73
003		544389500	INNER-DOOR OF LHD 74
003		544182101	LEFT DOOR 74
003		544389400	
003		544182001	RIGHT DOOR 74
003		544497100	
003		544497000	
003		531000900	MAGNET §22 KG.3 WITH DISK
003		544185500	UPPER DOOR HINGE FOR COMPARTME CF70
003		544185201	
003		533107100	
003		544185101	RIGHT DOOR 74 CF
003		544185400	LOWER DOOR HINGE FOR COMPARTME CF70