

# DISHWASHER

ELECTROMECHANICAL SWITCHES  
LOWER WASHING  
LOWER AND UPPER WASHING

TYPE: 3U

Accessories

DVGW

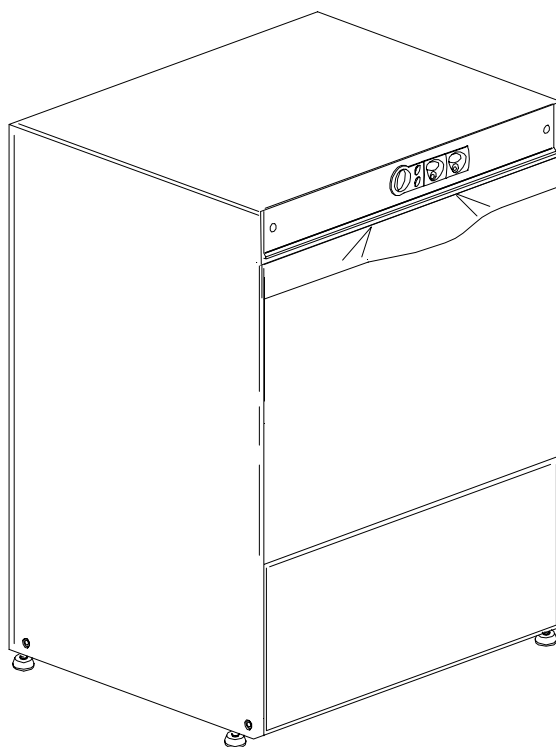
COLD RINSE

DETERGENT DISPENSER

---

## Spare parts manual

---





## 1. Spare parts

General body parts.....	5
Lockup system .....	7
Control panel .....	9
Control electric components.....	11
Solenoid valve group .....	13
DVGW .....	15
Shining product dosing device group .	17
Shining product dosing device group .	19
Boiler group .....	21
4 ways derivation.....	23
Wash pump .....	25
Wash pump .....	27
Dosing device group .....	29
Pressure switch group with air trap ...	31
Turret group with rotating arms .....	33
Turret group with rotating arms .....	35

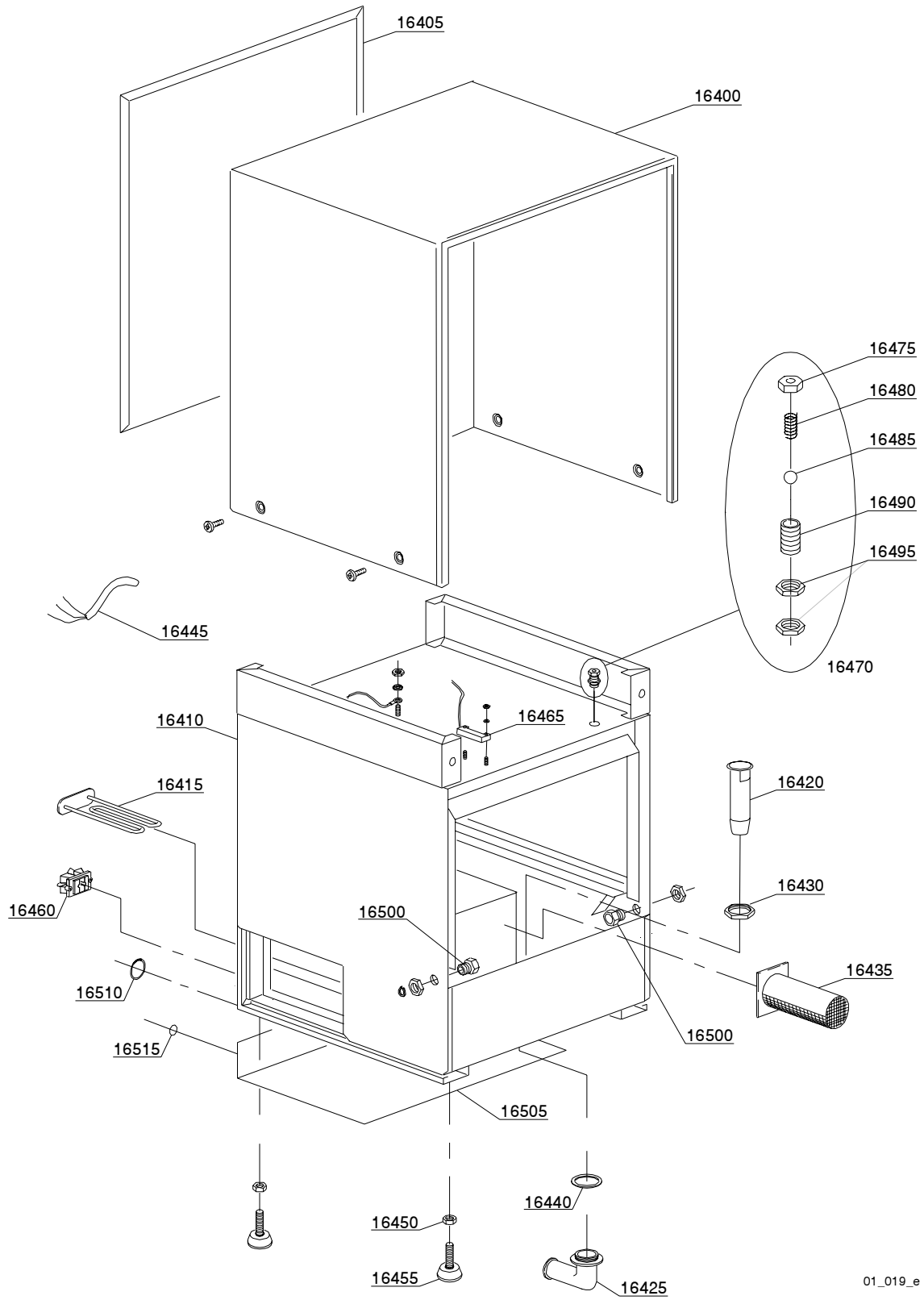


## 1.1 Voltage codes

Voltage code	Voltage
A	3/N/PE~400/230V 50Hz
B	~250V 16A 50Hz
C	3/N/PE~380/220V 50Hz
D	3/PE~200V 50-60Hz
F	2/PE 220-240V 50Hz
G	3/N/PE~415/240V 50Hz
H	3/PE~230V 50Hz
I	3/PE~220V 60Hz
J	3/PE~380 50Hz
K	3/PE~400V 50Hz
L	3/PE~415V 50Hz
M	3/PE~440V 60Hz
N	3/PE~460V 60Hz
O	3/PE~480V 60Hz
P	1/N/PE~220-240V 50Hz
R	2/PE~220-230V 60Hz
S	3/N/PE~400/230V 50Hz
T	3/PE~230V 60Hz

## 1.2 Product codes

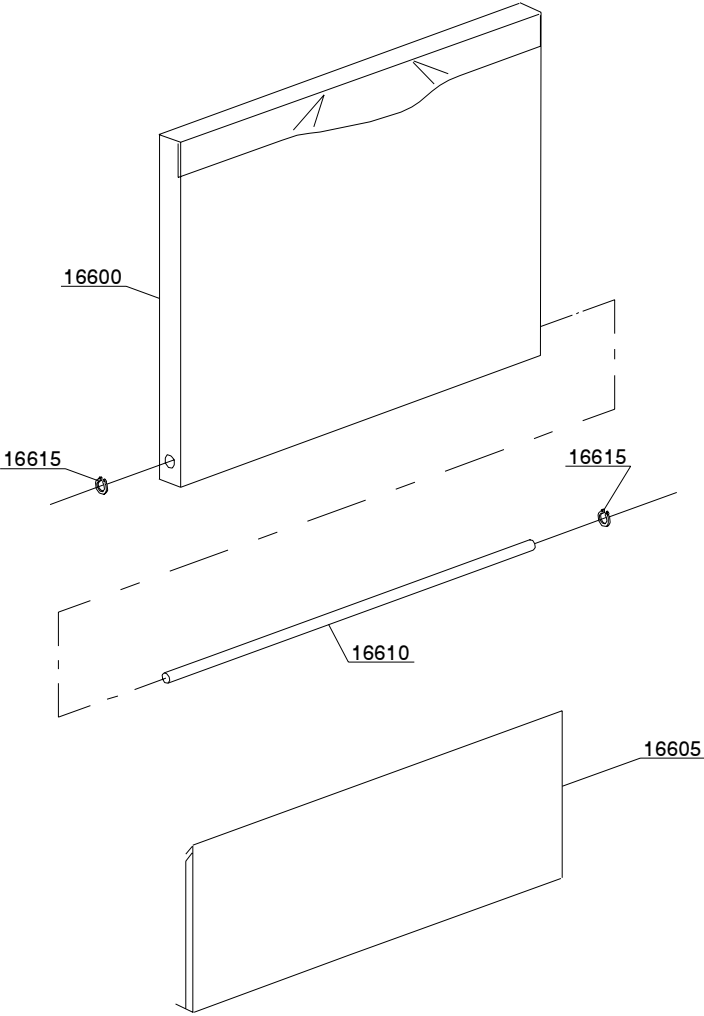
Product code	Full name
Model codes	
em	ELECTROMECHANICAL SWITCHES
cf	LOWER WASHING
ls	LOWER AND UPPER WASHING
Type codes	
3U	3U
Accessory codes	
dvgw	DVGW
fs	COLD RINSE
dde	DETERGENT DISPENSER



01\_019\_e

## Spare parts

ID	P-code	Model	Type	Accessory	Voltage	Description
MODULE:General body parts						
16400	17953		3U			Cover
16405	17213		3U			Back panel
16410	17951		3U			Body
16415	17201		3U			1,8KW heating element
16420	15126		3U			Overflow pipe
16425	10701		3U			Drain elbow
16425	15063		3U			Stainless steel drain elbow
16430	11701/A		3U			Stainless steel nut
16435	10914/A		3U			Pump suction filter
16440	13305		3U			44x32x3 drain elbow gasket
16445	10713		3U			3x2,5x2500 cable
16450	11711		3U			M10 zinc plated nut
16455	10786		3U			M10x25 Ø40 black foot
16460	15065/A		3U			Cable-fastener with screw
16465	10778		3U			Reed magnet
16470	10775		3U			Door jack assembly
16475	10802		3U			Door jack locknut
16480	10777		3U			Spring for door hook
16485	10776		3U			Sphere
16490	10803		3U			Door jack body
16495	10801		3U			Door jack nut
16500	11835		3U			Brass bush with nut
16505	17958		3U			Bottom protection
16510	13317		3U			Ø40mm fairlead
16515	13323		3U			Ø13mm fairlead



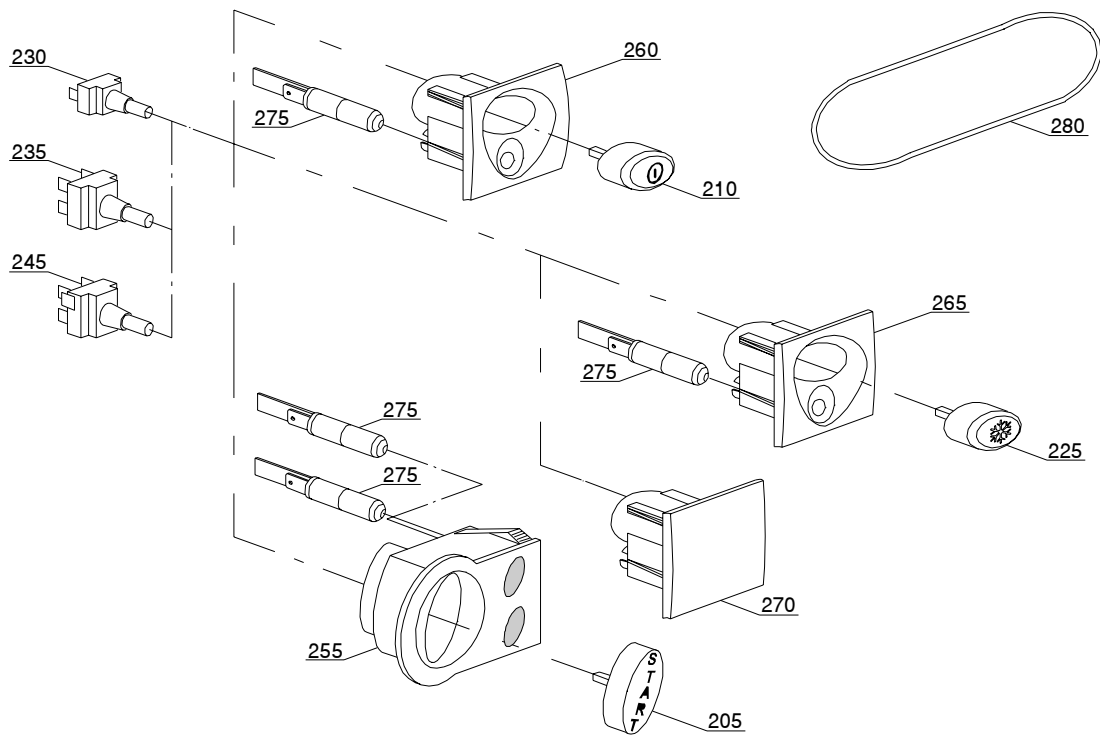
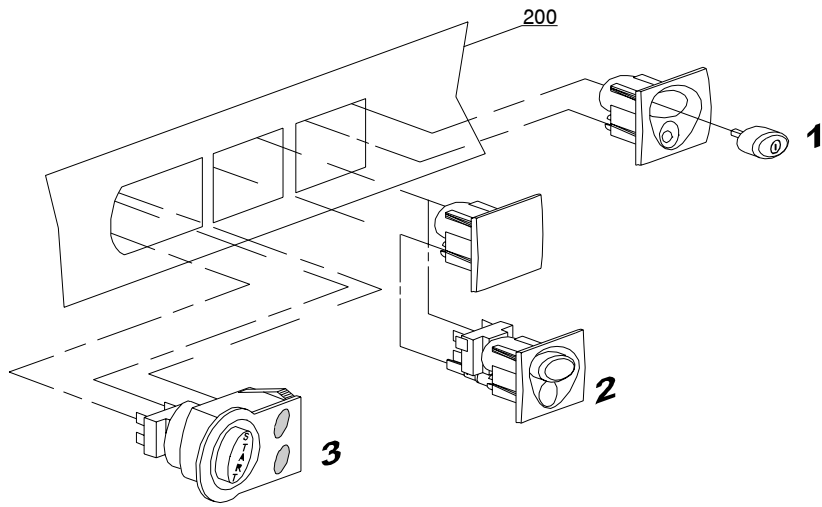
02\_117\_e



## Spare parts

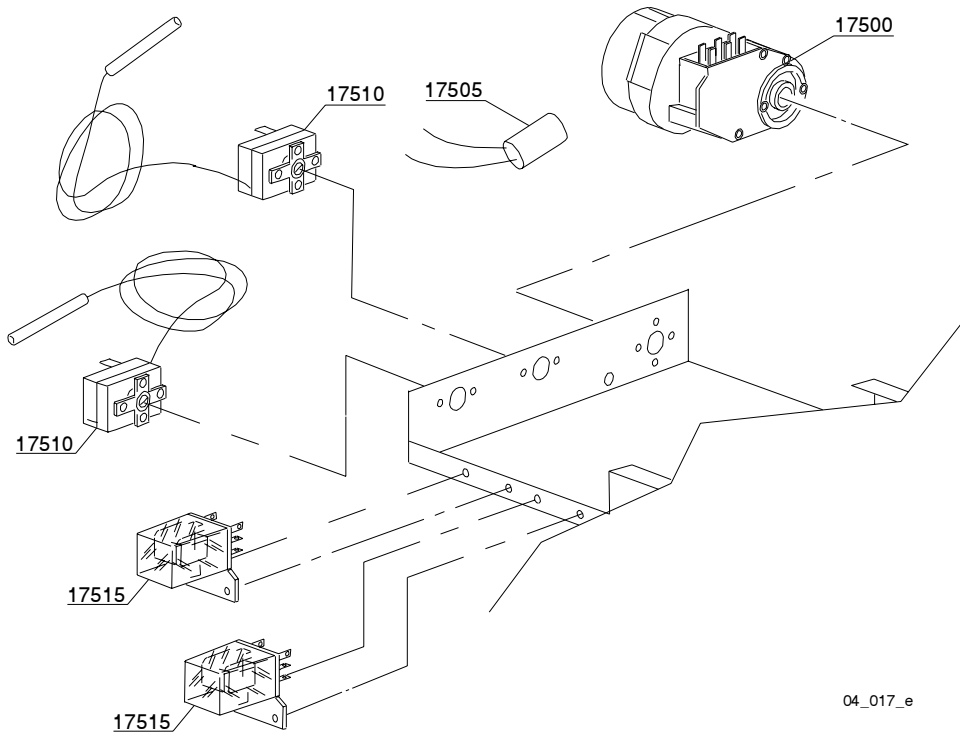
ID	P-code	Model	Type	Accessory	Voltage	Description
MODULE:Lockup system						
16600	17957		3U			Door with stainless steel handle
16605	17954		3U			Lower door
16610	17210		3U			Door rod
16615	11815		3U			Ø8 stainless steel snap ring

03\_009\_e



## Spare parts

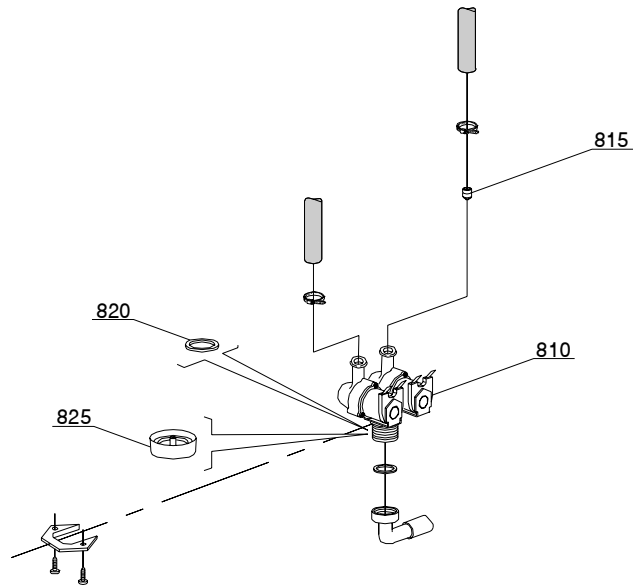
ID	P-code	Model	Type	Accessory	Voltage	Description
MODULE:Control panel						
200	17955		3U			Synthesis control panel
205	89347		3U			Start key
210	89340		3U			ON-OFF key
225	89344		3U	cr		Hot/cold key
230	15813		3U			16A unipolar push button
235	15812		3U			16A switch
235	15800		3U			16A bipolar push button
245	15811		3U			16A bipolar switch
245	15811/A		3U			16A bipolar switch push button
255	89301		3U			Start key support
260	89304		3U			Key support
265	89302		3U	dp,ws,cr		Key support
270	89303		3U			Closed support
275	15826		3U			Pilot light
280	89331		3U			OR gasket



04\_017\_e

## Spare parts

ID	P-code	Model	Type	Accessory	Voltage	Description
MODULE:Control electric components						
17500	10708/L		3U		A	"120"" timer 230Vac 50Hz"
17500	10708/B		3U			"120"" timer 220Vac 60Hz"
17505	15146		3U		A	Low noise filter
17510	10707/1		3U		A	0-90°C thermostat
17515	16037		3U		A	16A bipolar relay

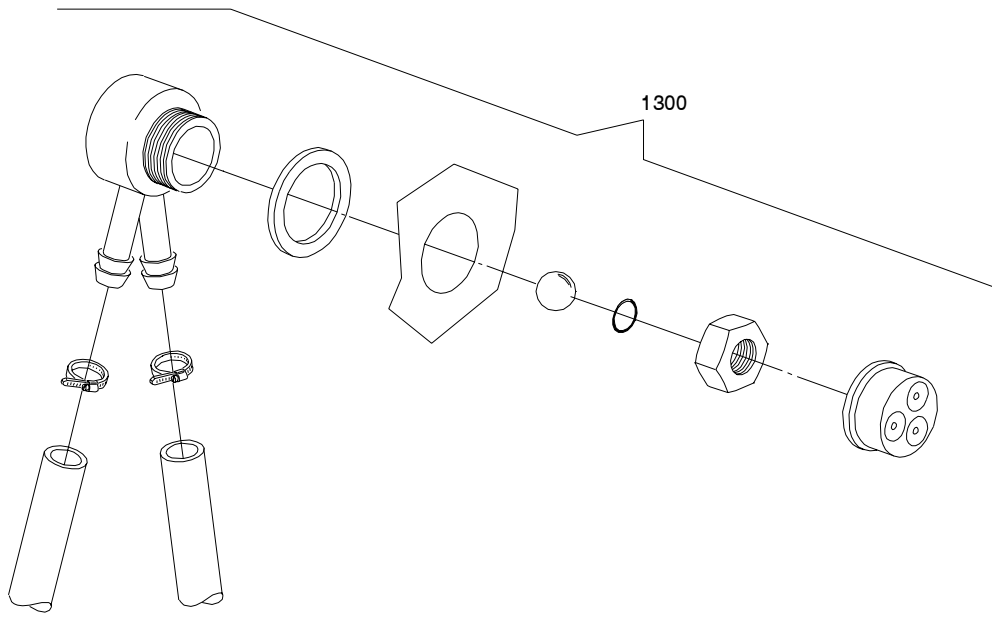


05\_003\_e

**Spare parts**

---

ID	P-code	Model	Type	Accessory	Voltage	Description
MODULE:Solenoid valve group						
810	15098		3U	cr,ws		Double solenoid valve - Ø10



08\_005\_e

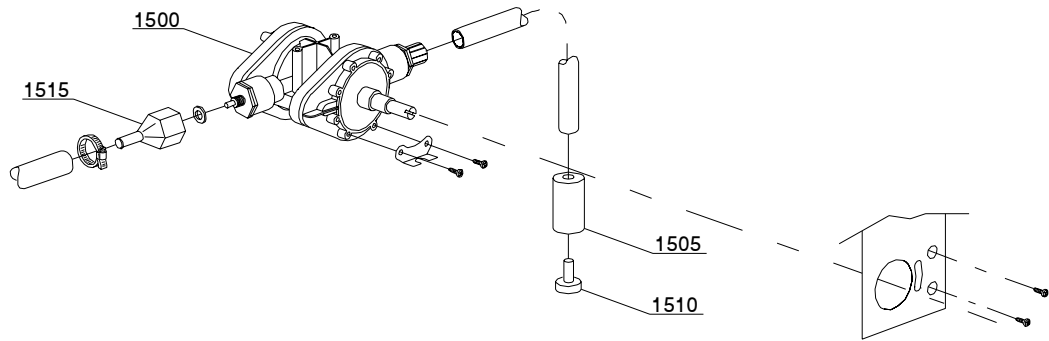


**Spare parts**

---

ID	P-code	Model	Type	Accessory	Voltage	Description
MODULE:DVGW						
1300	999900006		3U	dvgw		DVGW assembly

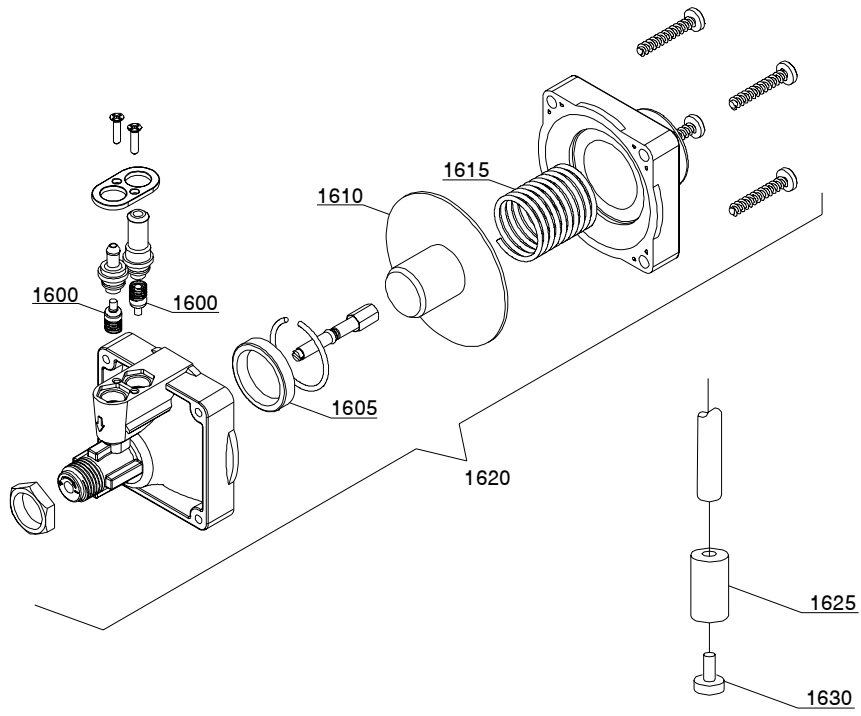
10\_002\_e



## Spare parts

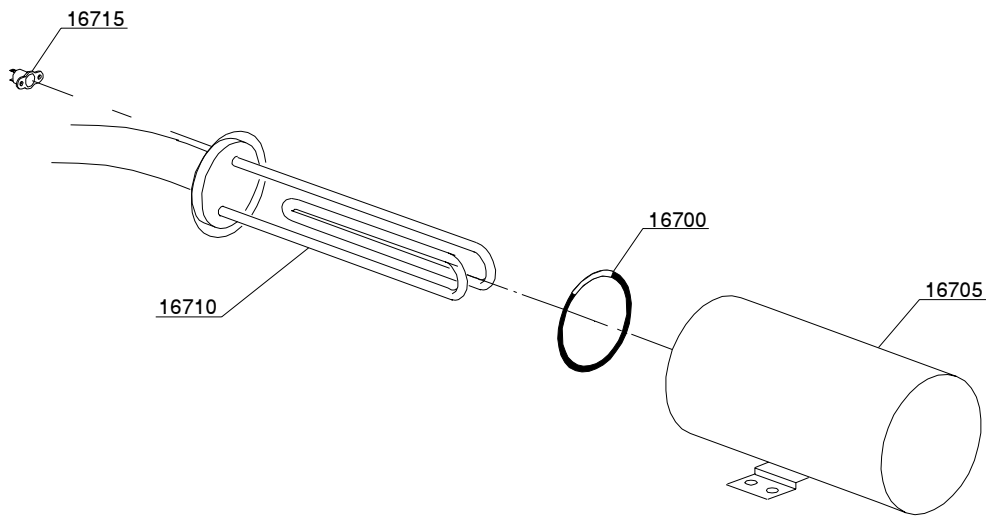
---

ID	P-code	Model	Type	Accessory	Voltage	Description
MODULE:Shining product dosing device group						
1500	10798		3U			Shining product dosing device
1505	12525		3U			Counter-weight
1510	15058		3U			Small filter
1515	10798/B		3U			Brass pipe fitting



10\_003\_e

ID	P-code	Model	Type	Accessory	Voltage	Description
MODULE:Shining product dosing device group						
1600	10805		3U			Tecnopro dosing valve
1605	10806		3U			Ø22 gasket
1610	10807		3U			Membrane
1615	10808		3U			Spring
1620	10599999		3U			Shining product dosing device
1625	12525		3U			Counter-weight
1630	15058		3U			Small filter

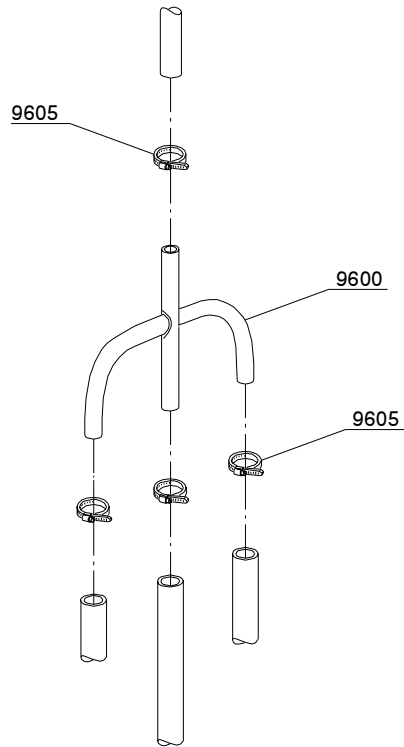


11\_008\_e

## Spare parts

---

ID	P-code	Model	Type	Accessory	Voltage	Description
MODULE:Boiler group						
16700	13005		3U			OR 151 NBR gasket
16705	17905		3U			Boiler
16710	16036/A		3U			2,5KW heating element
16715	15550		3U			Safety thermostat



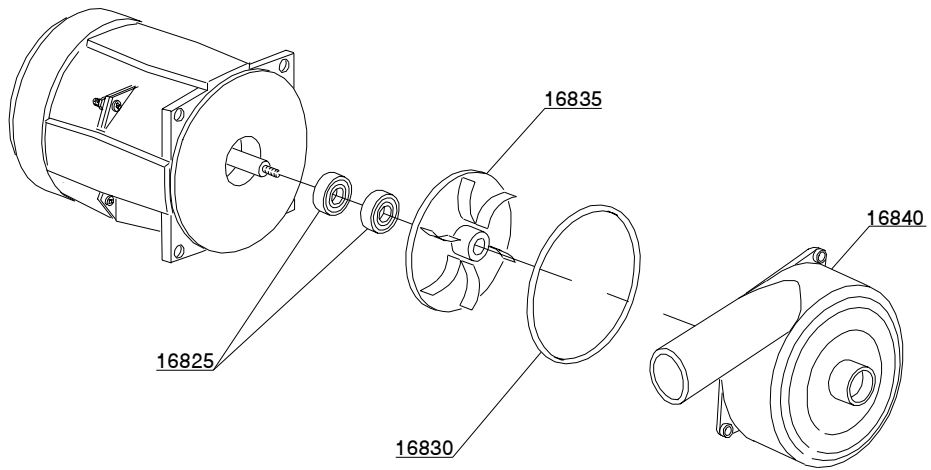
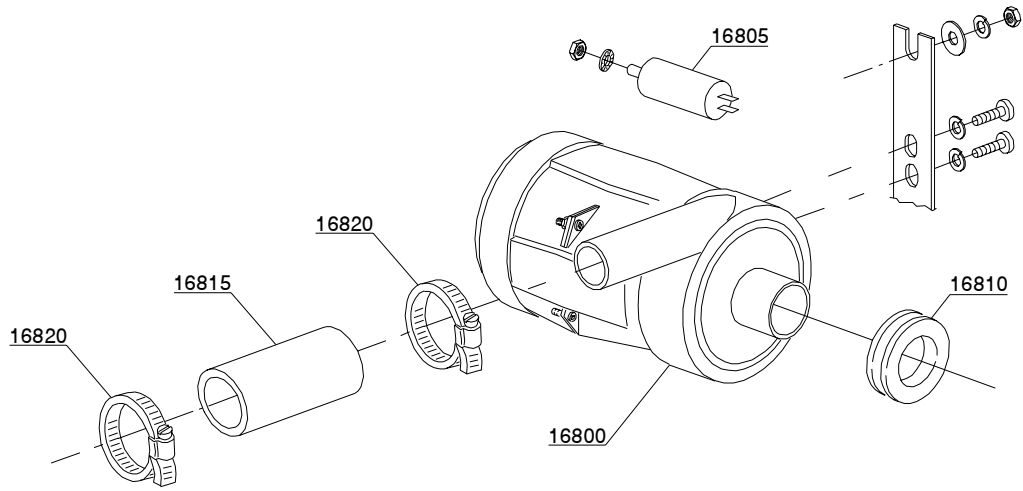
12\_004\_e



## Spare parts

---

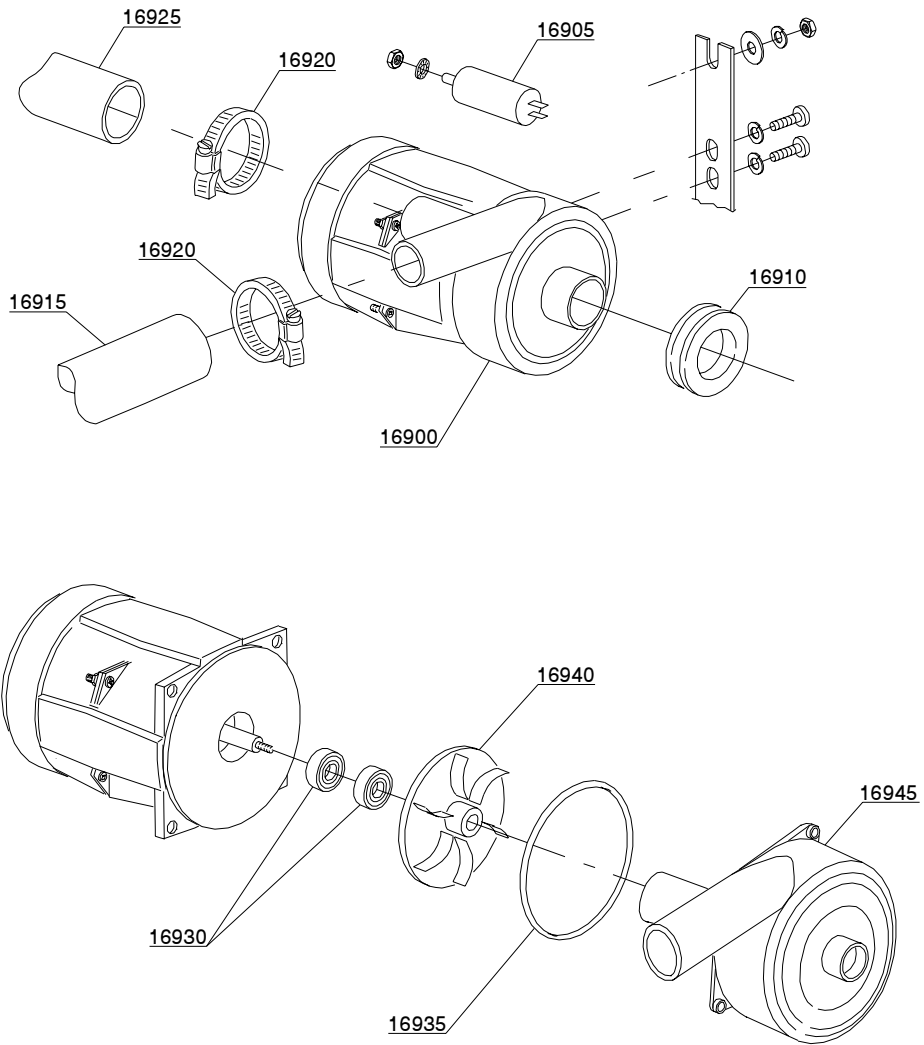
ID	P-code	Model	Type	Accessory	Voltage	Description
MODULE:4 ways derivation						
9600	15151		3U			Ø10 mm 4 ways derivation
9605	11806		3U			25/40 clamp



13\_007\_e

## Spare parts

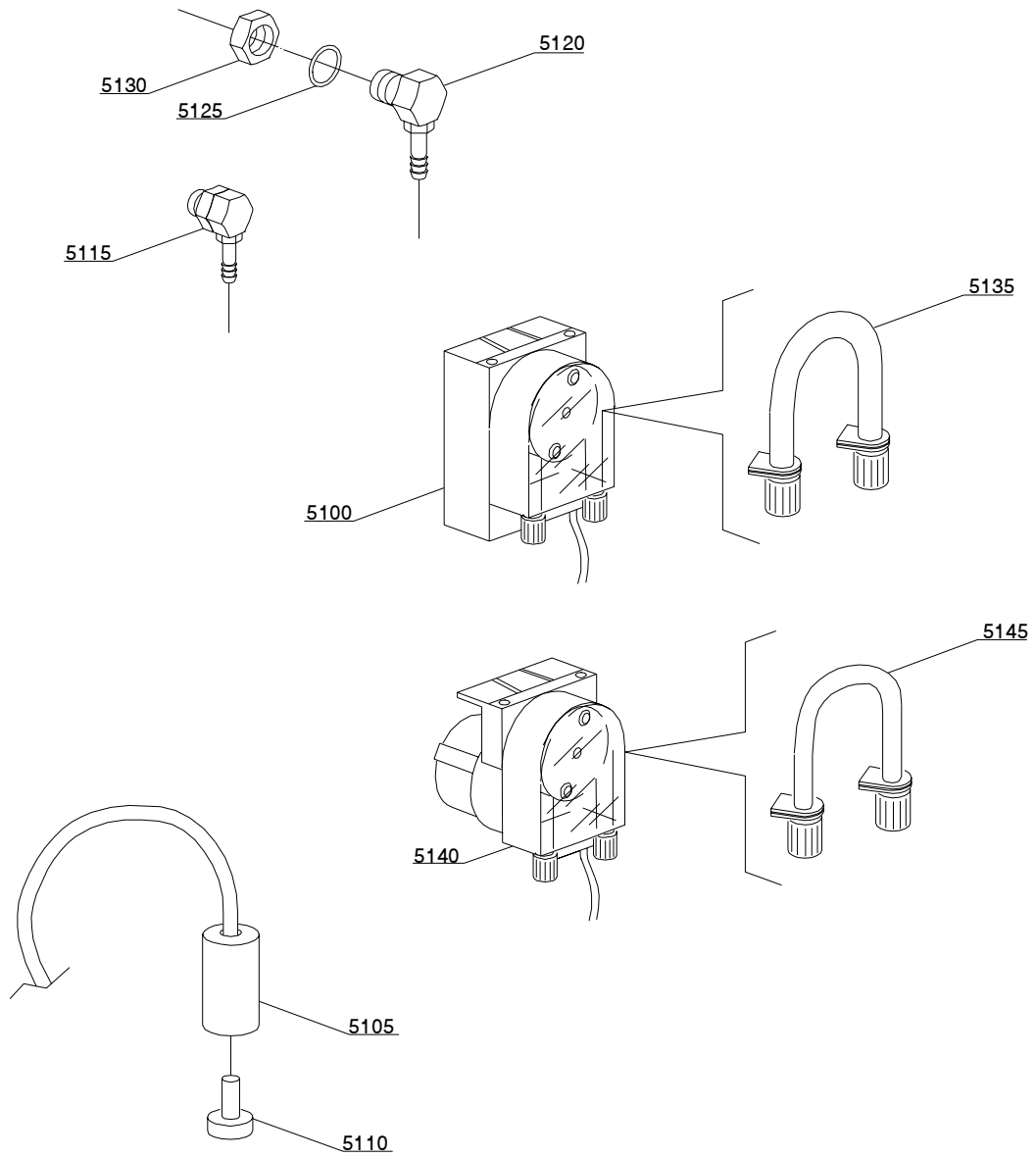
ID	P-code	Model	Type	Accessory	Voltage	Description
MODULE:Wash pump						
16800	18243		3U		A	0,33Hp wash pump
16800	18243/A		3U			0,33Hp wash pump - 220VAc 60Hz
16805	10702		3U			5 uF condenser
16810	13350		3U			Pump gasket
16815	10718		3U			Pump pipe coupling
16820	11806		3U			25/40 clamp
16825	15080		3U			Rotating seals
16830	18245		3U			OR gasket
16835	18246		3U			Pump rotor
16840	18248		3U			Scroll



13\_113\_e

## Spare parts

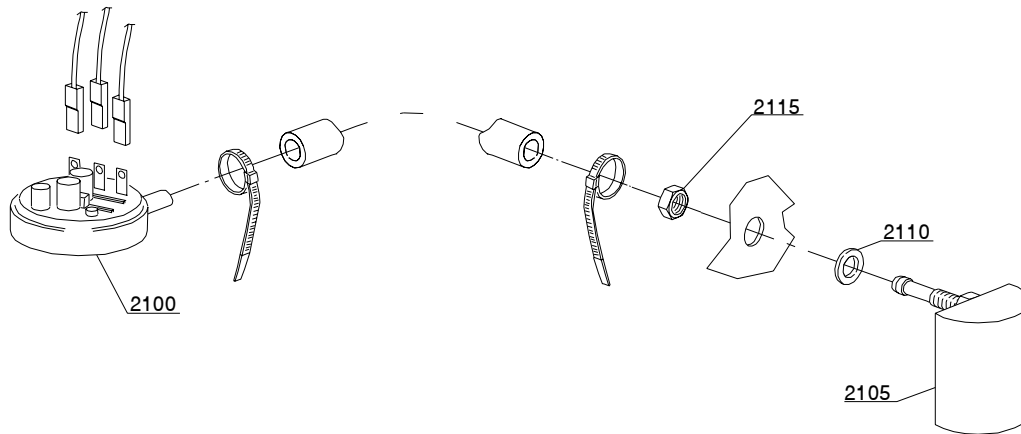
ID	P-code	Model	Type	Accessory	Voltage	Description
MODULE:Wash pump						
16900	18242		3U		A	0,30Hp wash pump
16905	10702		3U			5 uF condenser
16910	13350		3U			Pump gasket
16915	10718		3U			Pump pipe coupling
16920	11806		3U			25/40 clamp
16925	18044		3U			Ø28 top wash pipe
16930	15080		3U			Rotating seals
16935	18245		3U			OR gasket
16940	18246		3U			Pump rotor
16945	18247		3U			Scroll



14\_004\_e

## Spare parts

ID	P-code	Model	Type	Accessory	Voltage	Description
MODULE:Dosing device group						
5100	15985		3U	dd		Seko dosing device
5105	12525		3U	dd		Counter-weight
5110	15058		3U	dd		Small filter
5115	15123		3U	dd		Compleat plastic injector
5120	15148		3U	dd		Steel injector
5125	15159		3U	dd		OR gasket
5130	10200205		3U	dd		M12x1 stainless steel nut
5135	15185		3U	dd		Seko thermoplastic pipe
5140	15985		3U	dd		Germac dosing device
5145	15108/E		3U	dd		Germac thermoplastic pipe

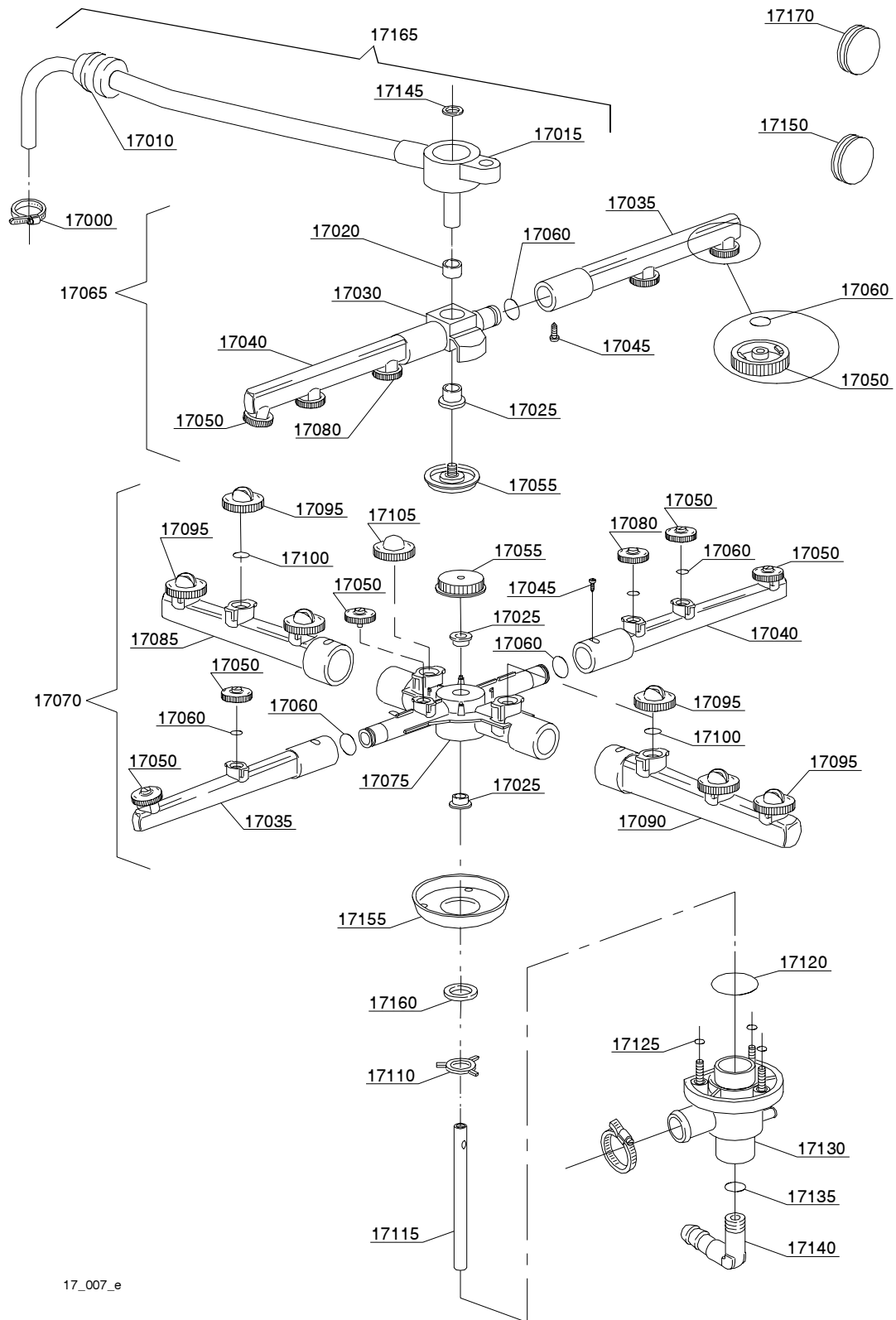


16\_001\_e



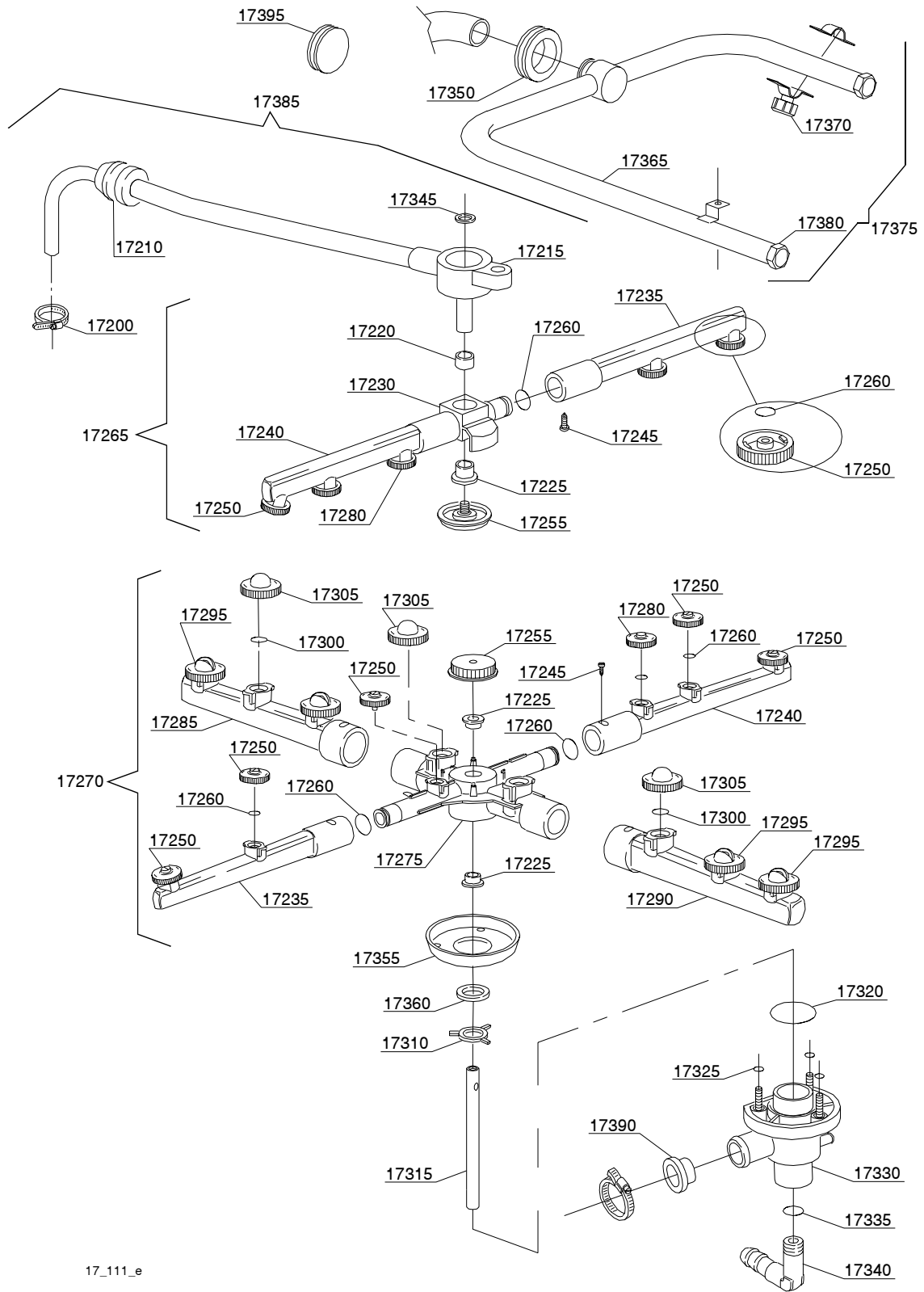
## Spare parts

ID	P-code	Model	Type	Accessory	Voltage	Description
MODULE:Pressure switch group with air trap						
2100	10706/A		3U			47-27 pressure switch
2105	10911		3U			Air trap assembly
2110	13301		3U			Gasket
2115	11702		3U			M8 stainless steel nut



17\_007\_e





17\_111\_e

## Spare parts

ID	P-code	Model	Type	Accessory	Voltage	Description
MODULE:Turret group with rotating arms						
17200	11807		3U			12/22 clamp
17210	13304		3U			Pipe-pass gasket
17215	10909		3U			Top rinse turret
17220	13320		3U			Sliding washer
17225	13319		3U			Sliding washer
17230	10359		3U			Rinse rotor
17235	10360		3U			Right rinse pipe
17240	10361		3U			Left rinse pipe
17245	11004		3U			4x10 TCB Ø8 spax toothed screw
17250	12537		3U			Opened head rinse nozzle
17255	10365		3U			Handle with insert
17260	13002		3U			OR R6 NBR gasket
17265	10996		3U			Top rinse group
17270	18995		3U			Lower wash/rinse group
17275	10364		3U			Wash rotor
17280	12538		3U			Closed head rinse nozzle
17285	10355		3U			Right wash pipe
17290	10356		3U			Left wash pipe
17295	10366		3U			1,9 opened head wash nozzle
17300	13009		3U			OR 2050 NBR gasket
17305	10358		3U			Closed head wash nozzle
17310	10203		3U			Guide pipe
17315	12501		3U			Ø10x1,5x100 rotor axle
17320	13000		3U			OR 3125 NBR gasket
17325	13001		3U			OR 104 NBR gasket
17330	10205		3U			Lower wash turret
17335	13003		3U			OR 112 NBR gasket
17340	12030		3U			3/8M Ø12 elbow pipe fitting
17345	11610		3U			Copper washer
17350	13306/A		3U			Top wash ramp gasket
17355	10204		3U			Splash guard
17360	13302		3U			Ø16,5x10x2,5 teflon washer
17365	18134		3U			Top wash pipe
17370	18135		3U			Wash nozzle
17375	18903		3U			Top wash group
17380	12503		3U			Plug
17385	17993		3U			Rinse turret group
17390	12518		3U			Flux reducer
17395	13316/A		3U			DVGW hole gasket