

# HD156

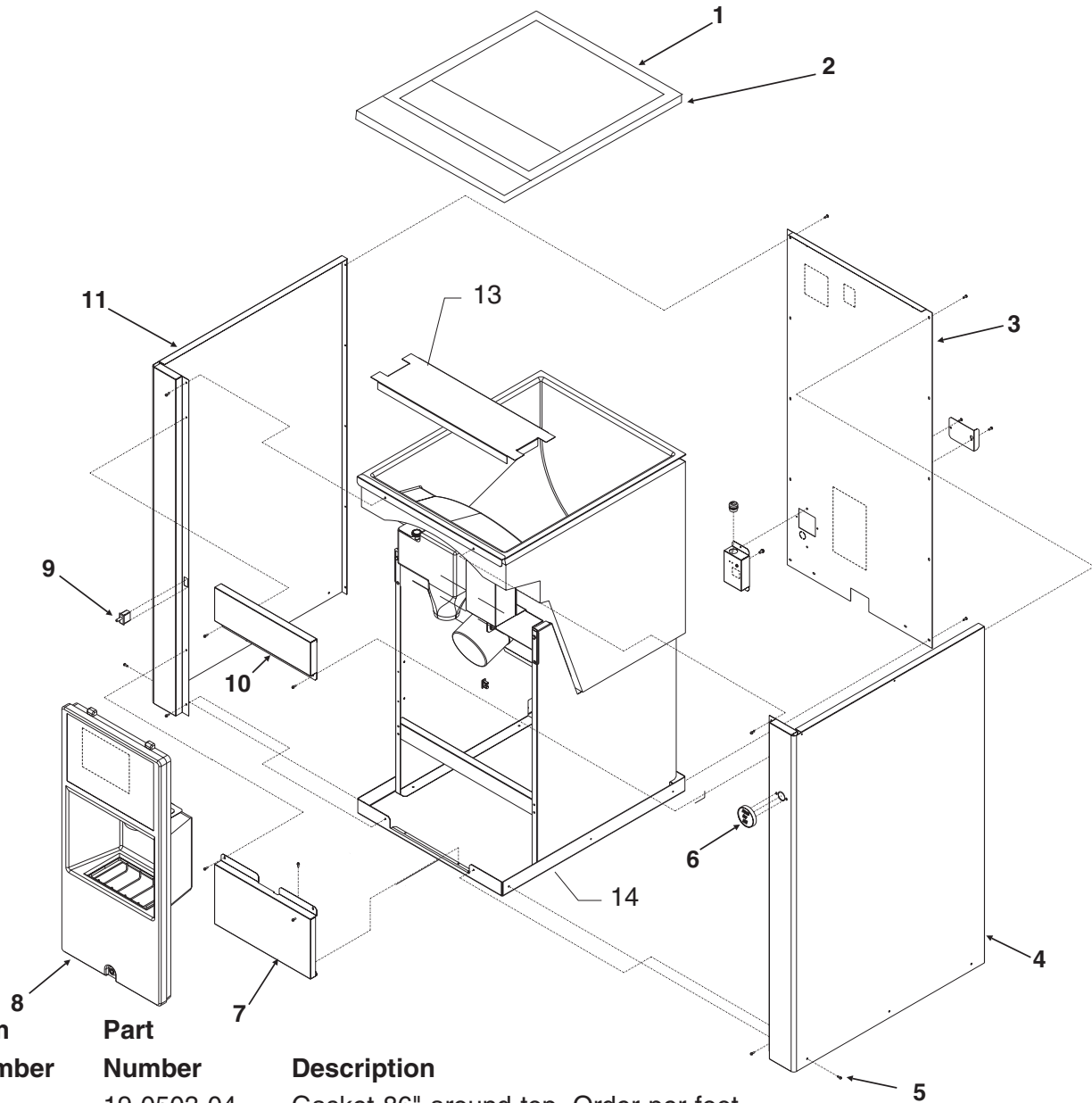
This parts list contains the part numbers for all HD156 Cube Ice Dispensers.

Be sure to check the complete model number before ordering the part.

## Table of Contents

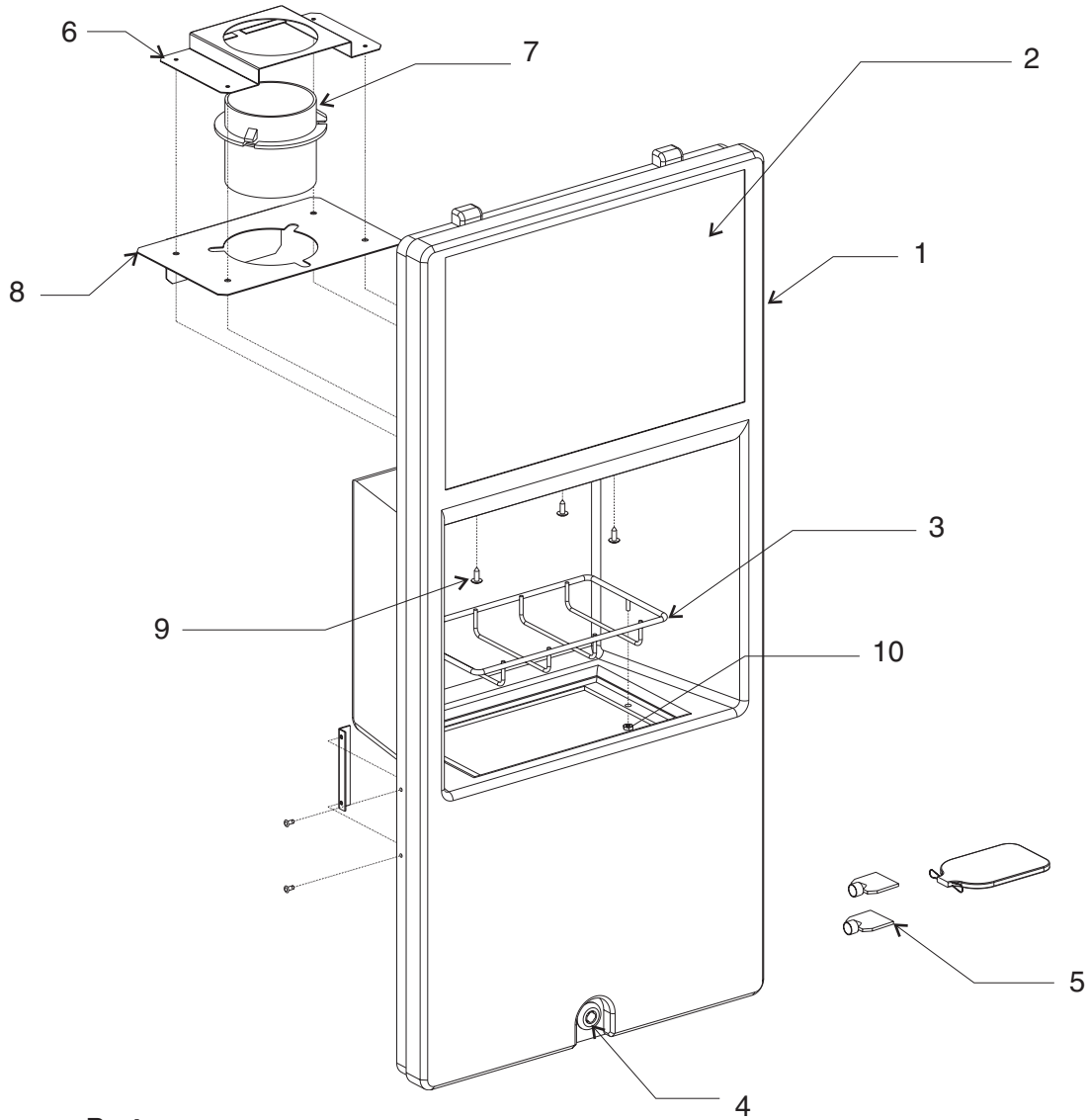
|                               |        |
|-------------------------------|--------|
| Cabinet Parts .....           | Page 2 |
| Sink Panel .....              | Page 3 |
| Bin Parts .....               | Page 4 |
| Dispensing Mechanism .....    | Page 5 |
| Door and Solenoid .....       | Page 6 |
| Wiring Diagram 115/60/1 ..... | Page 7 |
| Wiring Diagram 230/50/1 ..... | Page 8 |

# HD156 Cabinet Parts



| Item Number | Part Number | Description                                 |
|-------------|-------------|---|
| 1           | 19-0503-04  | Gasket 86" around top. Order per foot.      |
| 2           | 02-3922-01  | Bin cover                                   |
| 3           | A38080-001  | Back panel                                  |
| 4           | A38078-001  | Right side panel, stainless steel           |
| 5           | 03-1638-03  | Screw                                       |
| 6           | 02-3773-01  | Vend switch                                 |
| 7           | A38107-001  | Bottom panel                                |
| 8           | A38112-001  | Sink assembly                               |
| 9           | 12-1276-01  | Interlock switch                            |
| 10          | A38084-001  | Top front panel, stainless steel            |
| 11          | A38138-001  | Left side panel, stainless steel            |
| 12          | 12-2333-01  | Step Down Transformer for 50 Hz (not shown) |
| 13          | A38156-001  | Brace                                       |
| 14          | A38077-001  | Base  |

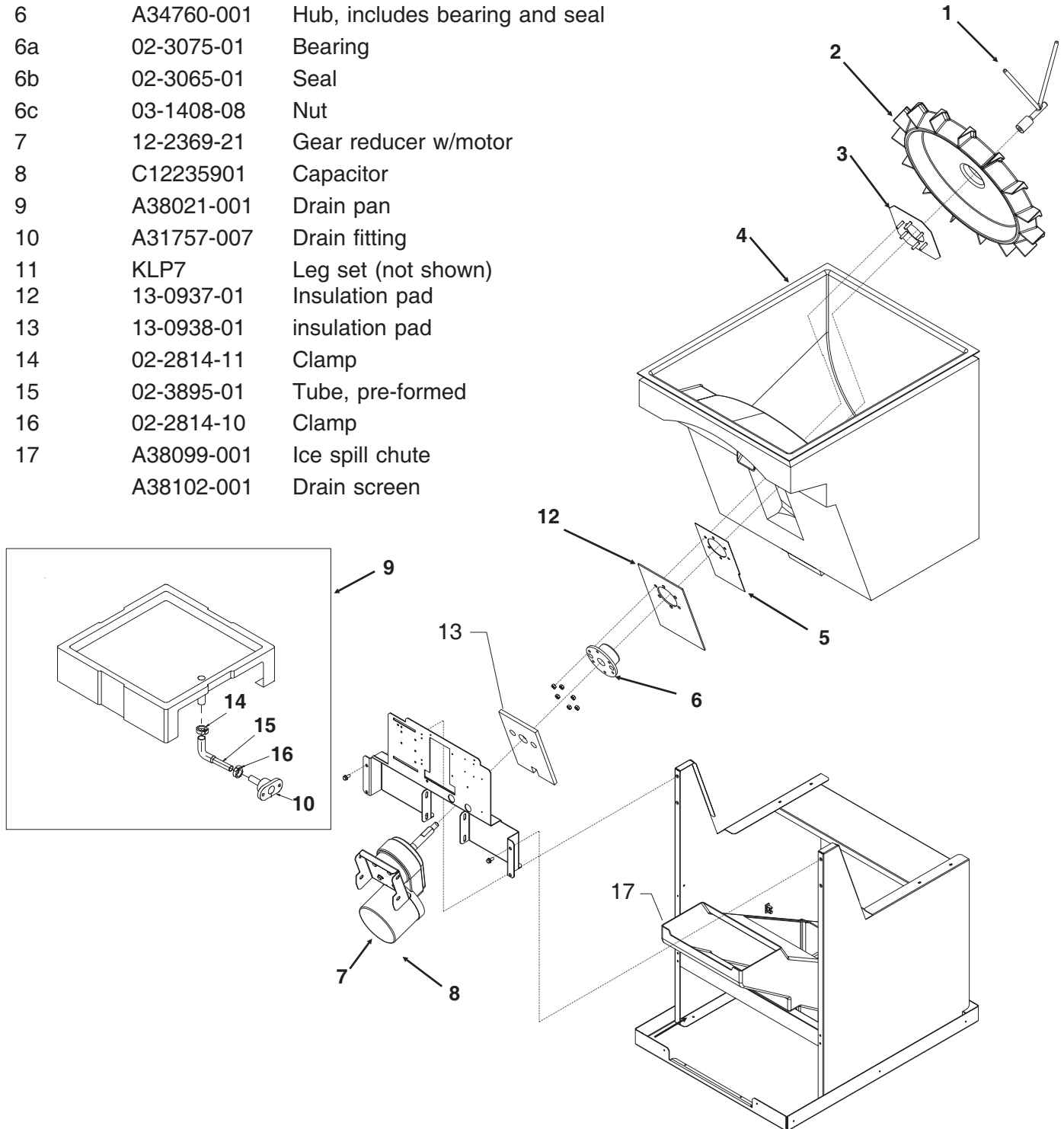
# HD156 Sink Panel



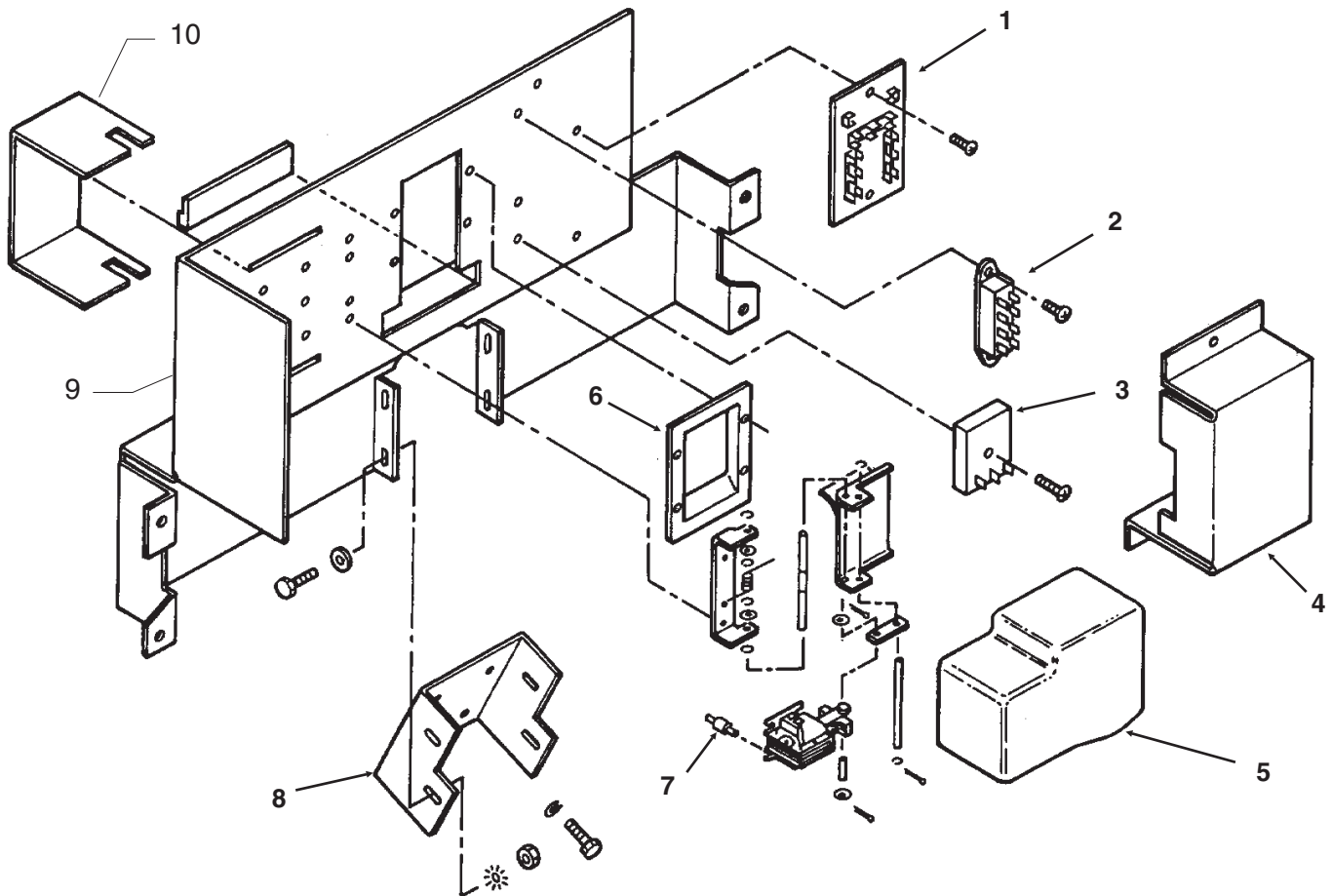
| Item Number | Part Number | Description       |
|-------------|-------------|-------------------|
| 1           | 02-3923-01  | Sink & panel      |
| 2           | 17-2913-01  | Graphic           |
| 3           | 02-3924-01  | Grill             |
| 4           | A35618-001  | Lock & Key        |
| 5           | 02-3263-01  | Key only          |
| 6           | A38082-001  | Ice chute cover   |
| 7           | 02-3068-05  | Ice chute         |
| 8           | A38081-001  | Ice chute support |
| 9           | 03-3820-01  | Screw             |
| 10          | 03-1406-01  | Hex nut           |

# HD156 Bin Parts

| Item Number | Part Number | Description                    |
|-------------|-------------|--------------------------------|
| 1           | 02-3925-01  | Sweep arm                      |
| 2           | 02-3040-01  | Rotor                          |
| 3           | A38145-001  | Plate assembly                 |
| 4           | A38117-001  | Bin                            |
| 5           | A34817-001  | Gearmotor plate                |
| 6           | A34760-001  | Hub, includes bearing and seal |
| 6a          | 02-3075-01  | Bearing                        |
| 6b          | 02-3065-01  | Seal                           |
| 6c          | 03-1408-08  | Nut                            |
| 7           | 12-2369-21  | Gear reducer w/motor           |
| 8           | C12235901   | Capacitor                      |
| 9           | A38021-001  | Drain pan                      |
| 10          | A31757-007  | Drain fitting                  |
| 11          | KLP7        | Leg set (not shown)            |
| 12          | 13-0937-01  | Insulation pad                 |
| 13          | 13-0938-01  | insulation pad                 |
| 14          | 02-2814-11  | Clamp                          |
| 15          | 02-3895-01  | Tube, pre-formed               |
| 16          | 02-2814-10  | Clamp                          |
| 17          | A38099-001  | Ice spill chute                |
|             | A38102-001  | Drain screen                   |



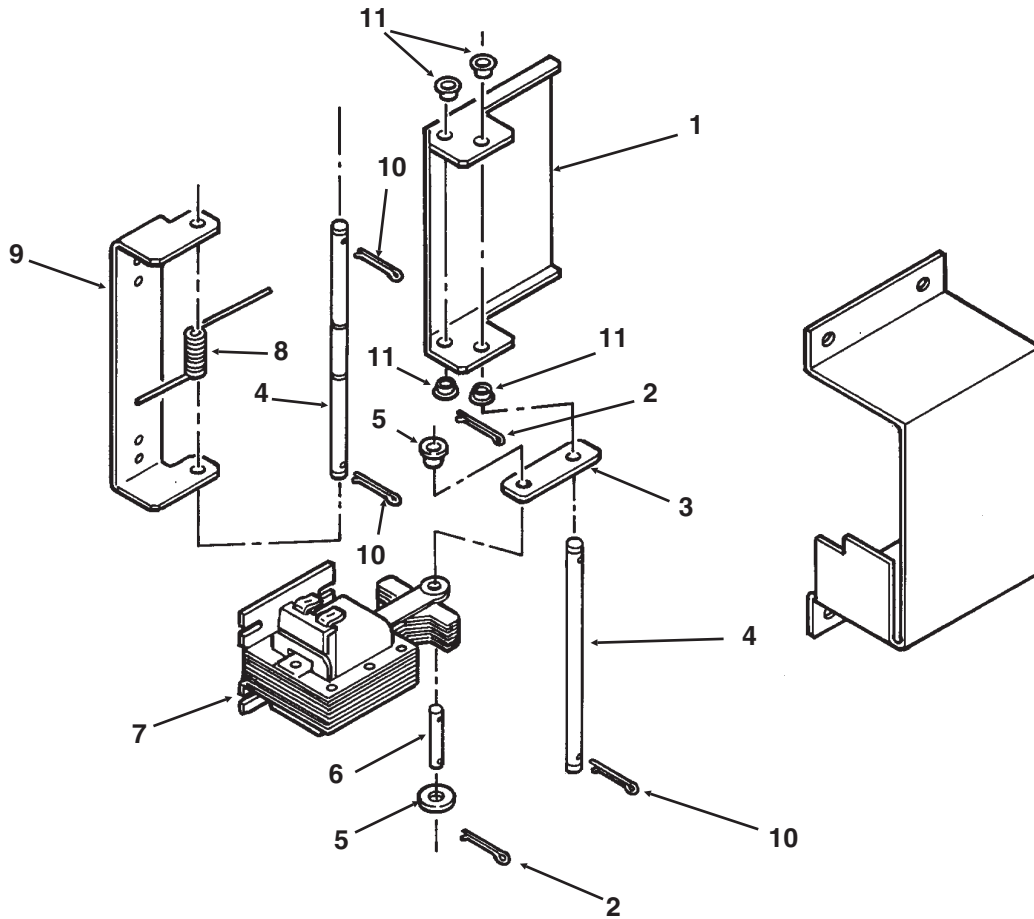
# HD156 Dispensing Mechanism



| Item Number | Part Number | Description                        |
|-------------|-------------|------------------------------------|
| 1           | 18-2239-00  | Terminal Board                     |
| 2           | 12-2858-02  | Control relay                      |
| 3           | 12-2859-01  | Timer - 3 seconds on every 2 hours |
| 4           | A38093-001  | Cover                              |
| 5           | A38087-001  | Solenoid cover                     |
|             | 03-3829-01  | Thumb screws for cover             |
| 6           | 02-3073-01  | Spout adapter                      |
| 7           | 13-0882-01  | Rubber mounts                      |
| 8           | A38094-001  | Gear motor bracket                 |
| 9           | A38092-001  | Control panel                      |
| 10          | A38091-001  | Ice chute mount                    |

# HD156

## Door and Solenoid



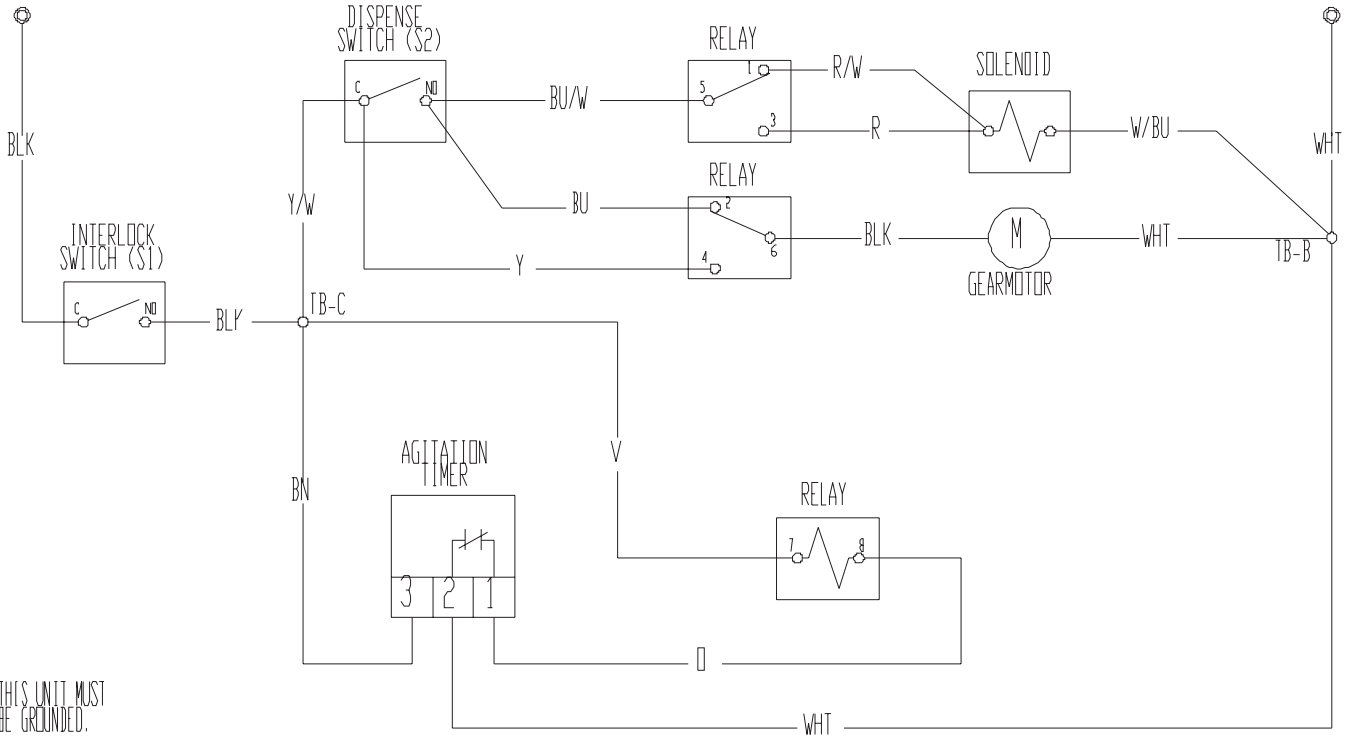
| Item Number | Part Number | Description   |
|-------------|-------------|---------------|
| 1           | A34801-001  | Ice door      |
| 2           | 03-0396-08  | Cotter pin    |
| 3           | A38098-001  | Solenoid link |
| 4           | 02-3088-01  | Long axle     |
| 5           | 03-1407-02  | Washer        |
| 6           | A32685-001  | Axle, linkage |
| 7           | 12-2862-01  | Solenoid      |
| 8           | A32690-001  | Door spring   |
| 9           | A34802-001  | Door hinge    |
| 10          | 03-0396-08  | Cotter pin    |
| 11          | 12-1213-02  | Bushing       |

# HD156

## Wiring Diagram 115/60/1

17-2912-01

USE COPPER CONDUCTORS ONLY



THIS UNIT MUST BE GROUNDED.

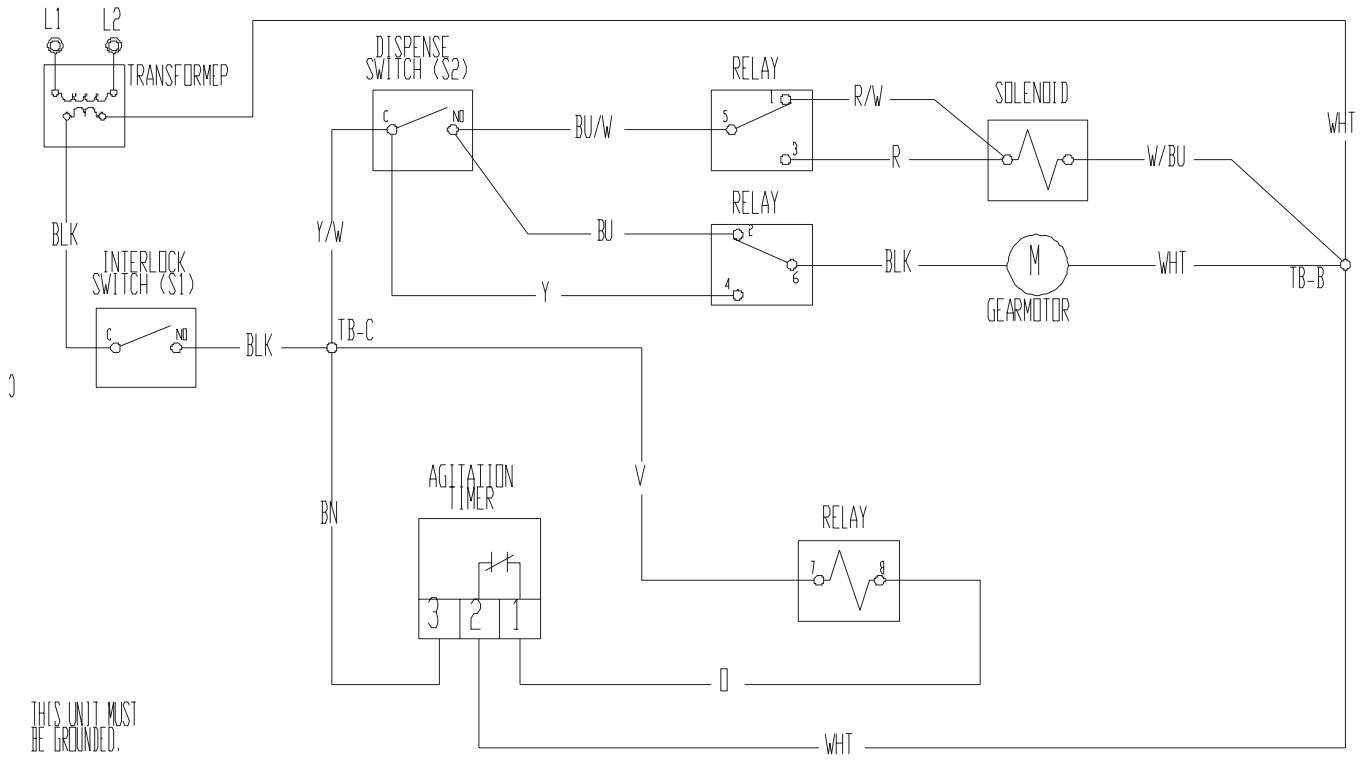
CAUTION:  
MORE THAN ONE DISCONNECT MEANS MAY BE REQUIRED TO DISCONNECT ALL POWER TO THIS UNIT.

# HD156

## Wiring Diagram 230/50/1

17-2917-01

USE COPPER CONDUCTORS ONLY



THIS UNIT MUST BE GROUNDED.

CAUTION:  
MORE THAN ONE DISCONNECT MEANS MAY BE REQUIRED TO DISCONNECT ALL POWER TO THIS UNIT.