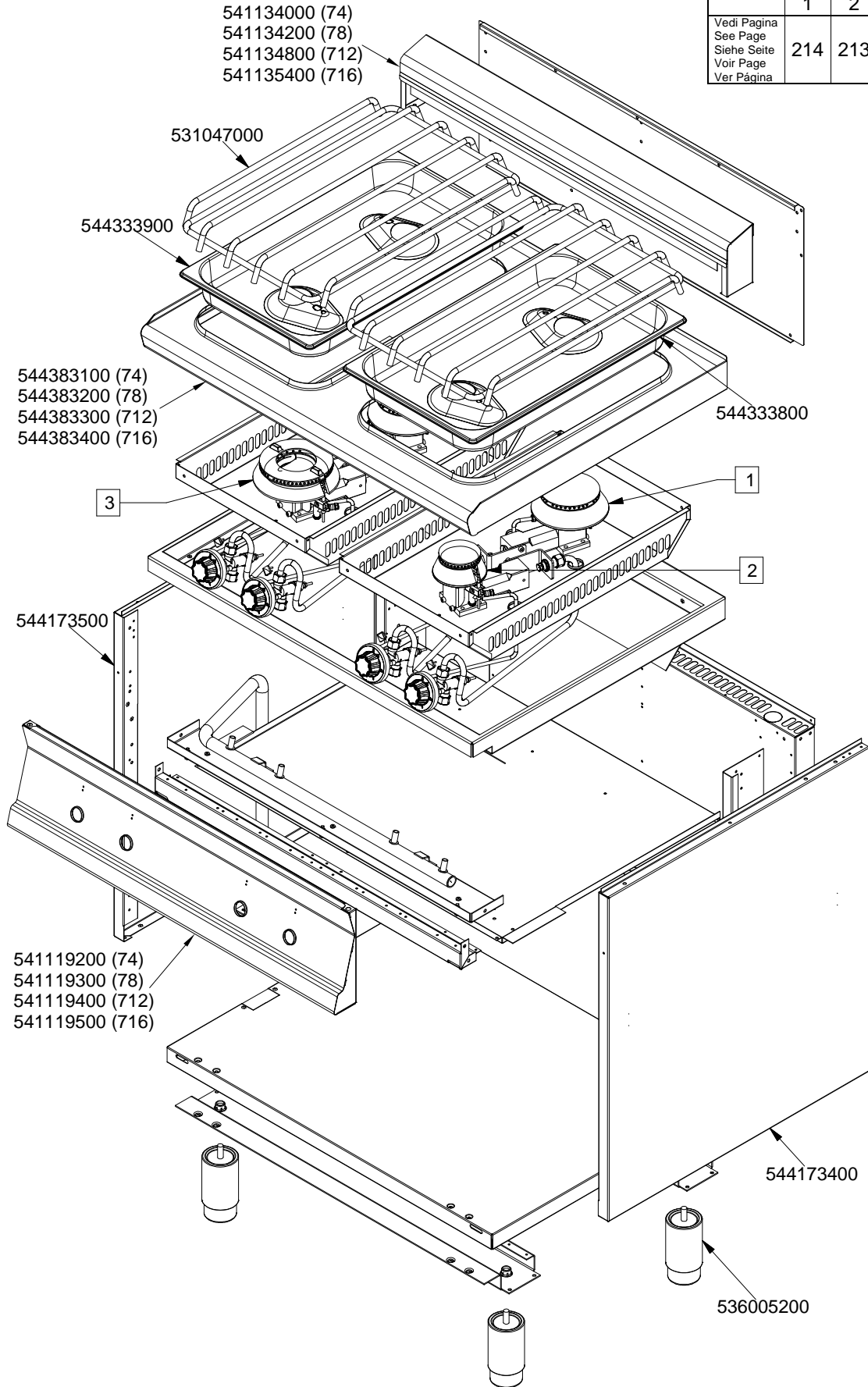


SUPERLOTUS 70≥0602

GAS / GAS / GAS / GAZ

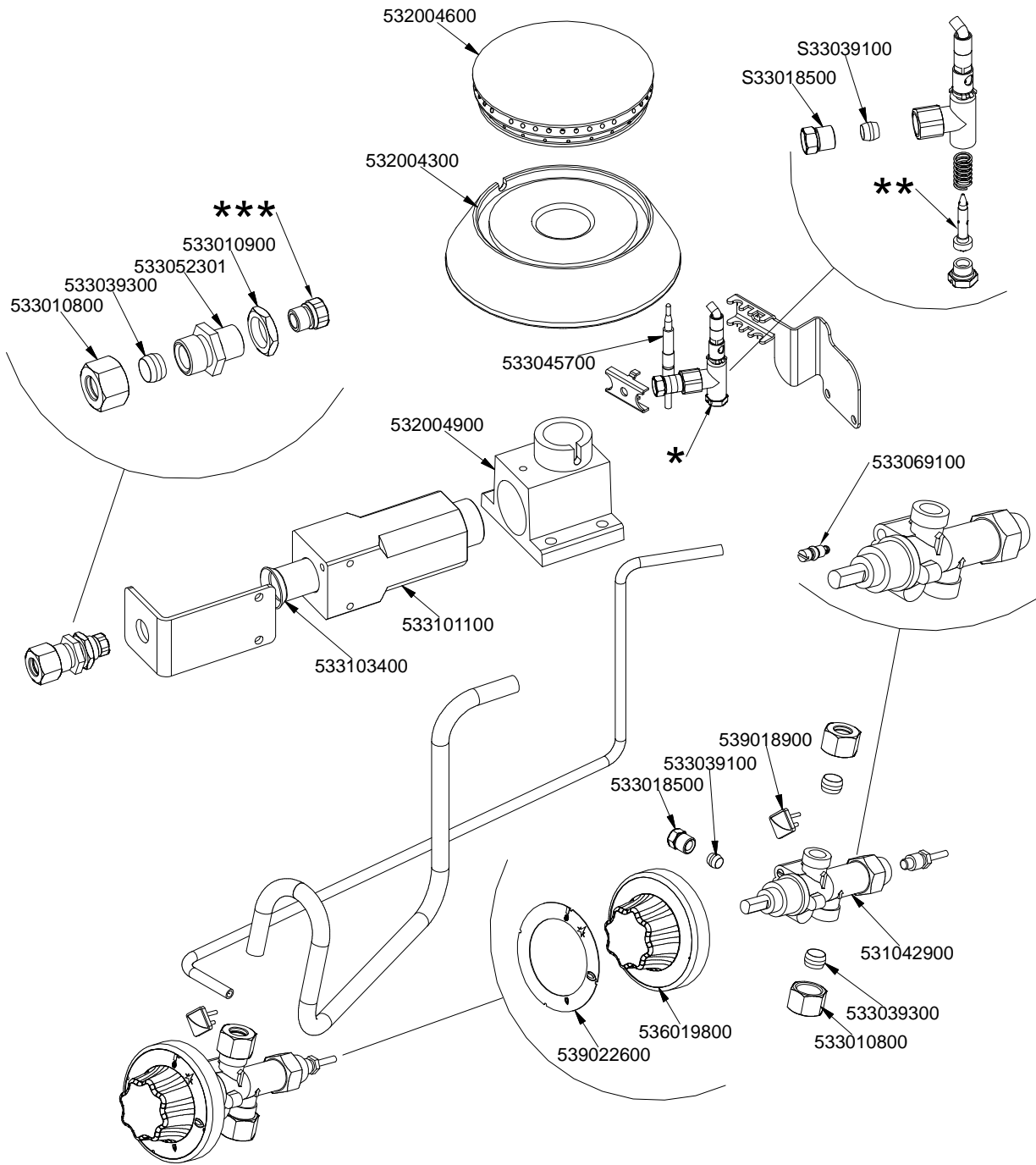
PC-74GP PC-78GP PC-712GP PC-716GP

	1	2	3
Vedi Pagina			
See Page	214	213	215
Siehe Seite			
Voir Page			
Ver Pàgina			



560038300M00P00

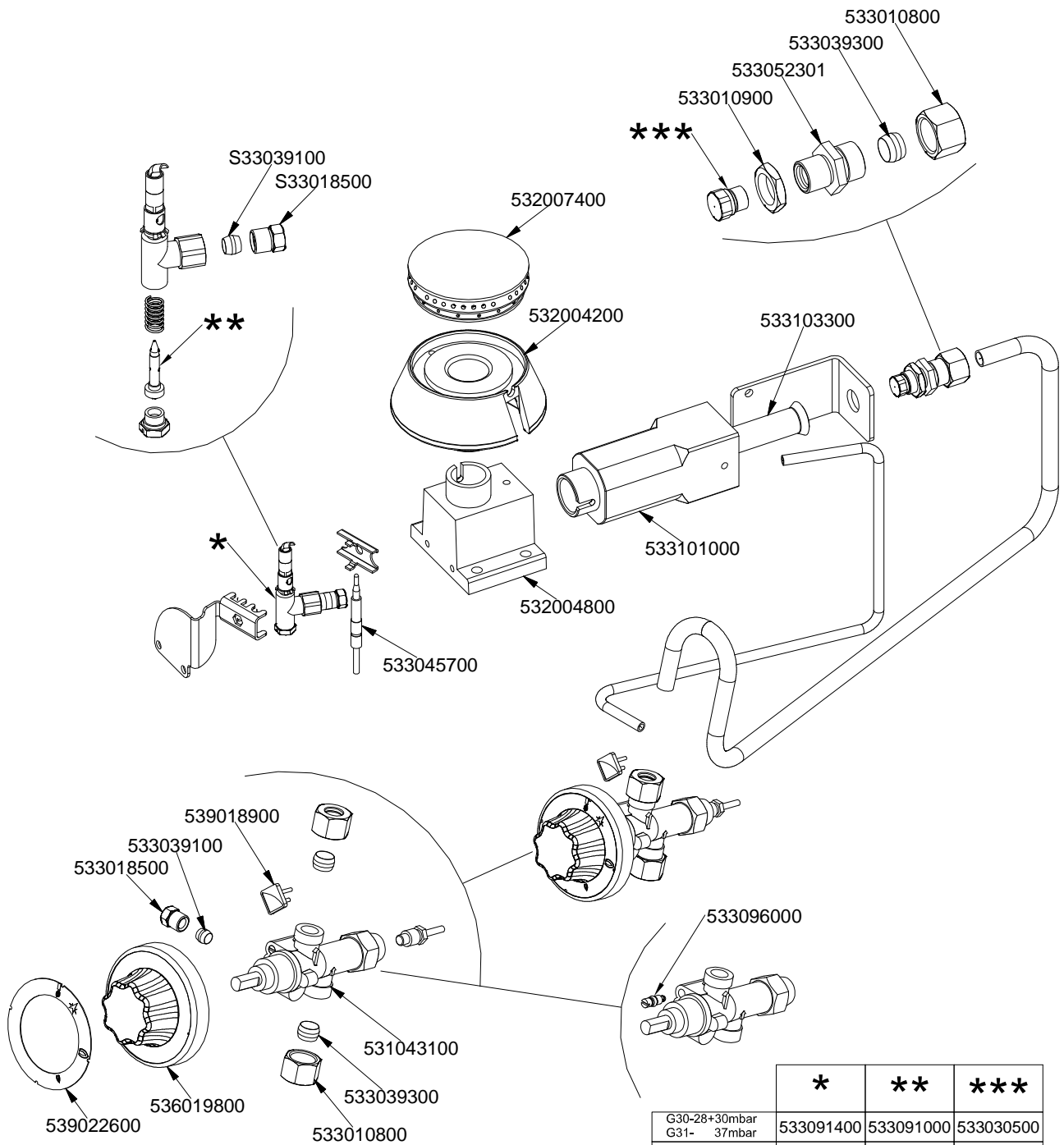
PC-G R



	*	**	***
G30-28+30mbar G31- 37mbar	533091400	533091000	533043900
G30- 50mbar	533091400	533091000	533019300
G20- 20mbar G25- 25mbar	533091500	533091200	533031000
G20- 20mbar DE-AT	533091500	533091200	533031000
G25- 20mbar	533091500	533091200	533043500
G25- 25mbar NL	533091500	533091200	533019400

560038600M00P00

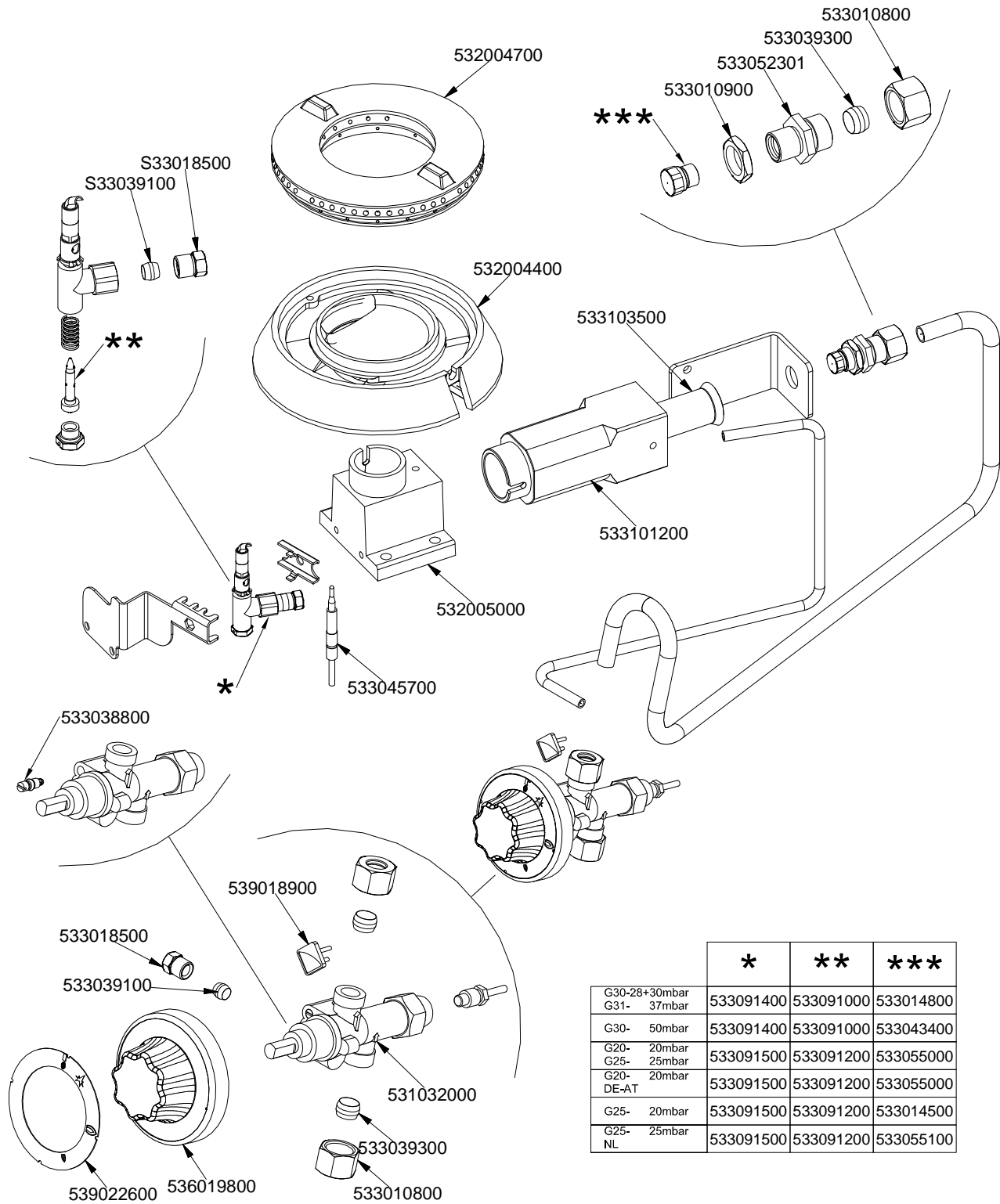
PC-G SR



	*	**	***
G30-28+30mbar G31- 37mbar	533091400	533091000	533030500
G30- 50mbar	533091400	533091000	533015100
G20- 20mbar G25- 25mbar	533091500	533091200	533015200
G20- 20mbar DE-AT	533091500	533091200	533015200
G25- 20mbar	533091500	533091200	533030800
G25- 25mbar NL	533091500	533091200	533014900
G20- 25mbar	533091500	533091200	533014800

560038500M00P00

PC-G UR



	*	**	***
G30-28+30mbar G31- 37mbar	533091400	533091000	533014800
G30- 50mbar	533091400	533091000	533043400
G20- 20mbar G25- 25mbar	533091500	533091200	533055000
G20- 20mbar DE-AT	533091500	533091200	533055000
G25- 20mbar	533091500	533091200	533014500
G25- 25mbar NL	533091500	533091200	533055100

560038700M00P00.

Page	Pos	Code	Description
001		541134200	NEUTRAL LOW SPACER 78
001		531047000	2 BURNER GRID FOR PC-700
001		544333900	BURNER CONTAINER 1/1GN R 304
001		544383200	UPPER PLATE PC-78GP CF4-78GP/GPE
001		544333800	BURNER CONTAINER 1/1GN R 304
001		544173500	LEFT SIDE PANEL S.70
001		541119300	FRONT PANEL PC-98G
001		544173400	RIGHT SIDE PANEL S.70
001		536005200	INOX LEG 2" 120-180 M10
002		S33039100	
002		S33018500	
002		532004600	BURNER COVER RING R D104
002		532004300	MIDDLE BURNER BODY 70LINE P.
002		533010900	NUT M14*1 H.4
002		533052301	JOINT FOR NOZZLE HOLDER
002		533039300	BICONE §10
002		533010800	TUBE NUT D.10 M16*1,5
002		533045700	THERMOCOUPLE M9*1 500
002		532004900	ELBOW FITTING OF BURNER VENTURI R
002		533069100	BY PASS COCK §60 20S
002		533101100	BURNER VENTURI R
002		533103400	AIR ADJUSTMENT BUSHING D20 EST.H57
002		539018900	INDEX FOR KNOB
002		533039100	BICONE §6
002		533018500	FITTING FOR BICONE D.6 M10*1
002		531042900	B.PASS §60 SAFETY COCK PC/CF 90
002		536019800	BLACK KNOB §70 PIN §8*6,5
002		539022600	GRADUATED STICKER FOR KNOB
002		533091400	P.NOZZLE §100 UG.§20 PC90 LPG-FLUS
002		533091000	NOZZLE 0.100 §20
002		533043900	NOZZLE §115 CH12*14 F-CW4
002		533019300	NOZZLE §100 G-FQ5 F-CW
002		533091500	PILOT NOZZLE S.100 §30 PC90 NAT.GAS
002		533091200	PILOT NOZZLE 0100 Ø35 PIL.PC
002		533031000	NOZZLE §175 CH12X14
002		533043500	NOZZLE §190 CH12*14 G25 PC4R
002		533019400	NOZZLE §180 CH12*14 L-FQ5
003		533010800	TUBE NUT D.10 M16*1,5
003		533039300	BICONE §10
003		533052301	JOINT FOR NOZZLE HOLDER
003		533010900	NUT M14*1 H.4
003		S33039100	
003		S33018500	
003		532007400	
003		532004200	SMALL BURNER BODY 70LINE P.
003		533103300	AIR ADJUSTMENT BUSHING D16 EST.H57
003		533101000	BURNER VENTURI SR
003		532004800	ELBOW FITTING OF BURNER VENTURI SR
003		533045700	THERMOCOUPLE M9*1 500
003		533096000	§50 BY-PASS COCK 20S-21S
003		539018900	INDEX FOR KNOB

Page	Pos	Code	Description
003		533039100	BICONE §6
003		533018500	FITTING FOR BICONE D.6 M10*1
003		531043100	B.PASS §50 SAFETY COCK PC/CF 70
003		536019800	BLACK KNOB §70 PIN §8*6,5
003		539022600	GRADUATED STICKER FOR KNOB
003		533091400	P.NOZZLE S100 UG.§20 PC90 LPG-FLUS
003		533091000	NOZZLE 0.100 §20
003		533030500	NOZZLE §90 CH12X14 G30/CE
003		533015100	NOZZLE §80 CH12*14 F-FP/CP6
003		533091500	PILOT NOZZLE S.100 §30 PC90 NAT.GAS
003		533091200	PILOT NOZZLE 0100 Ø35 PIL.PC
003		533015200	NOZZLE §145 CH12*14 F-FP/CP6
003		533030800	NOZZLE §155 CH12X14 M-CW
003		533014900	NOZZLE §150 CH12*14 F-FQ5 L-FQ6
003		533014800	NOZZLE §135 CH12*14,0
004		533010800	TUBE NUT D.10 M16*1,5
004		533039300	BICONE §10
004		532004700	BURNER COVER RING UR D128
004		533010900	NUT M14*1 H.4
004		533052301	JOINT FOR NOZZLE HOLDER
004		533018500	
004		533039100	
004		532004400	BIG BURNER BODY 70LINE P.
004		533103500	AIR ADJUSTMENT BUSHING D22 EST.H57
004		533101200	BURNER VENTURI UR
004		532005000	ELBOW FITTING OF BURNER VENTURI UR
004		533045700	THERMOCOUPLE M9*1 500
004		533038800	75 BY-PASS FOR 21S TAP
004		539018900	INDEX FOR KNOB
004		533018500	FITTING FOR BICONE D.6 M10*1
004		533039100	BICONE §6
004		531032000	GAS COCK P.V.BY-PASS Ø075
004		536019800	BLACK KNOB §70 PIN §8*6,5
004		539022600	GRADUATED STICKER FOR KNOB
004		533091400	P.NOZZLE S100 UG.§20 PC90 LPG-FLUS
004		533091000	NOZZLE 0.100 §20
004		533014800	NOZZLE §135 CH12*14,0
004		533043400	NOZZLE §117 CH12*14 G-PC4 UR
004		533091500	PILOT NOZZLE S.100 §30 PC90 NAT.GAS
004		533091200	PILOT NOZZLE 0100 Ø35 PIL.PC
004		533055000	NOZZLE §205 CH12*14 G25 CW4
004		533014500	NOZZLE §225 CH12*14 OVEN GN 2/1
004		533055100	NOZZLE §215 CH12*14 L-CW4