

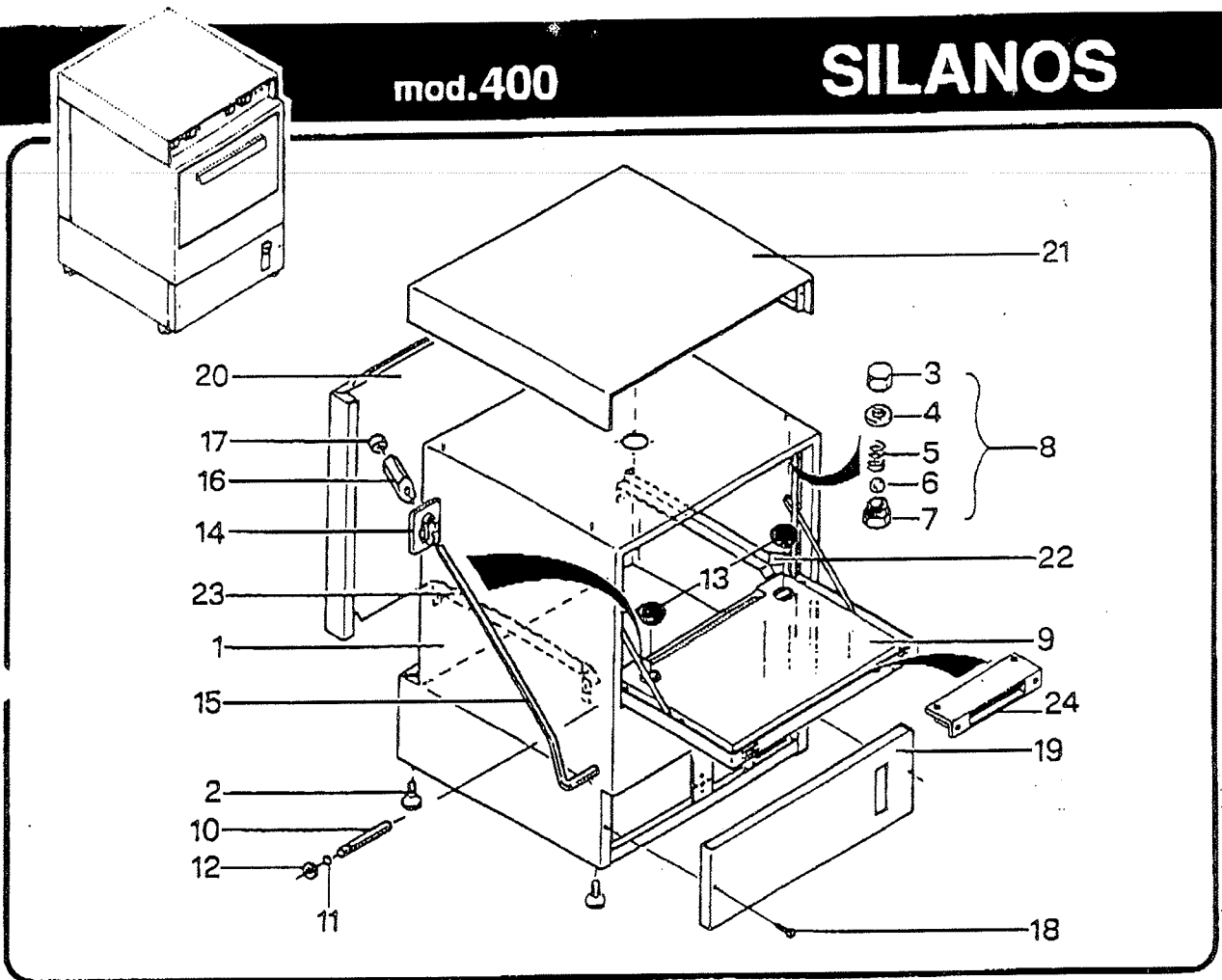
modifica A

tavola n° 1

POS.	CODICE	DESCRIZIONE	DENOMINATION	DESCRIPTION	BEZEICHNUNG
1	901068	CARROZZERIA	CARROSSERIE	BASE	KAROSSERIE
2	904990	PIEDINO REGOLABILE	PETIT PIED REGABLE	RUBBER LEG	EINSTELLBARER SOCKEL
3	908030	DADO SGROCCHETTO	EGROU DU CLIQUET	MUT LATCH	KLIKENMUTTER
4	904360	O-RING	O-RING	O-RING	O-RING
5	908040	MOLLA	RESSORT	SPRING	FEDER
6	908280	SFERA INOX	SPHERE	BALL	KUGEL
7	908010	SEDE SFERA	SIEGE DE LA SPHERE	SEATING BALL	KUGELSTITZ
8	906101	SGROCCHETTO	FERMETURE PORTE	DOOR CATCH	SCHNAPPVerschLUSS
9	905150	PORTA	PORTE	DOOR	TÜR
10	904790	PERNO PORTINA	TOURILLON DE LA PORTE	DOOR PIN	TÜRSCHARNIERESTIFT
11	908200	SEEGER	SEEGER	SEEGER	SEEGERSICHERUNG
12	905950	RONDELLA	RONDELLE	WASHER	UNTERLEGSHEIBE
13	908435	TAPPO	BOUCHON	PLUG	VERSCHLUSS
14	904952	PIASTRINA	PLAQUETTE	PLATE	PLÄTTCHEN
15	907240	TIRANTE PORTA	TIRANT DU PORTE	DOOR SCREW STAY	TÜR ZUGSTANGE
16	905430	FERMO PORTA	FERMETURE PORTE	DOOR SUPPORT	TÜRHALTERUNG
17	902040	DADO AUTOBLOCCANTE	EGROU	MUT	MUTTER
18	907881	VITE M5 X 30	VIS	SCREW	SCHRAUBE
19	904450	PANNELLO INFERIORE	PANNEAU INFERIEUR	LOWER PANEL	UNTERE TAFEL
20	904380	PANNELLO POSTERIORE	PANNEAU POSTERIEUR	BACK PANEL	HINTERWAND
21	904690	PANNELLO SUPERIORE	PANNEAU SUPERIEUR	UPPER SIDE PANEL	OBERE TAFEL
22	901873	GUIDA CESTELLO DX	COULISSE PANIER	BASKET GUIDE	KORBLEHRUNG
23	901674	GUIDA CESTELLO SX	COULISSE PANIER	BASKET GUIDE	KORBLEHRUNG
24	TRO220	CUSTODIA PER MAGNETE	PROTECTION MAGNETO	COVER MAGNET	MAGNETSCHUTZ

mod.400

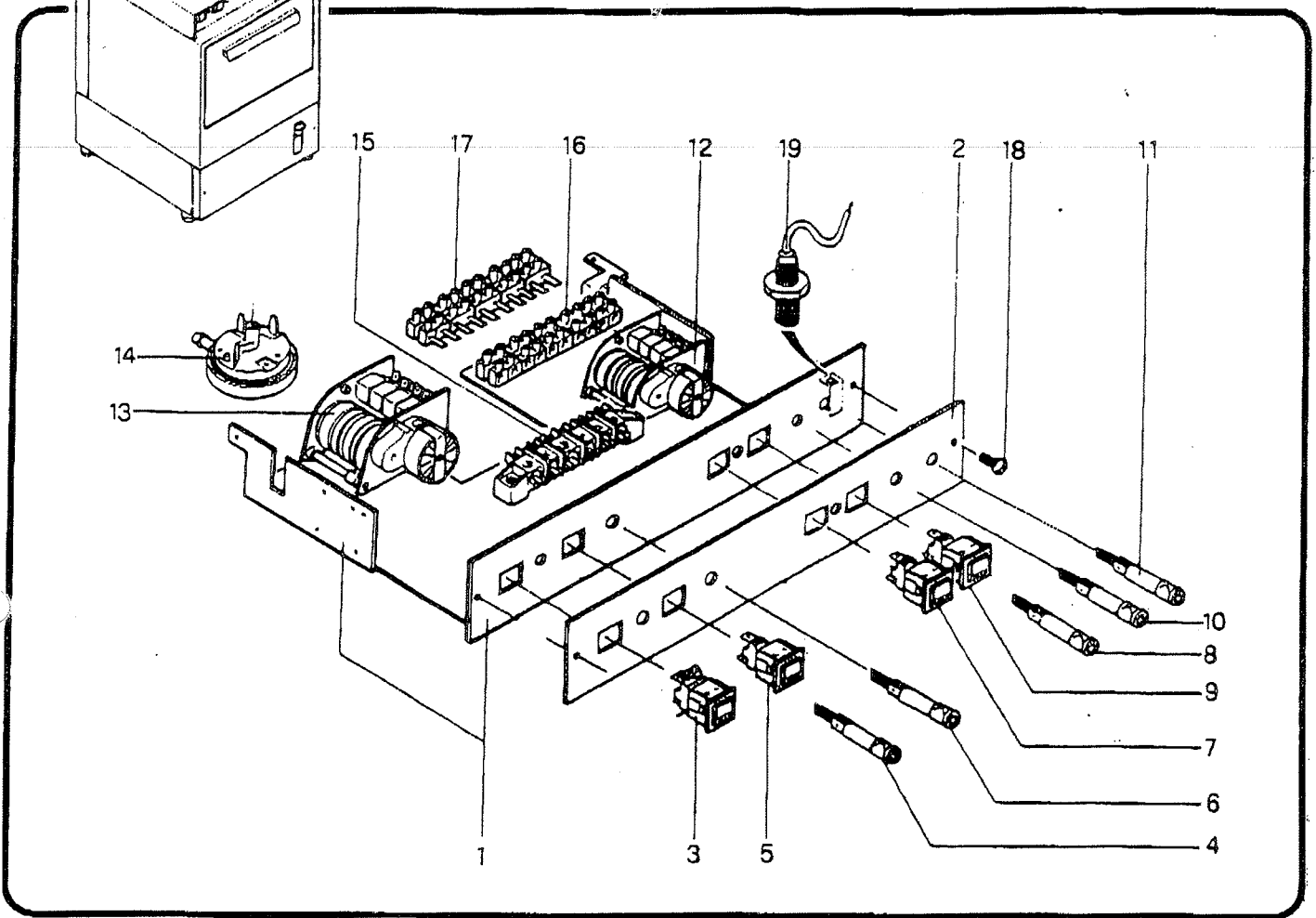
SILANOS



modifica A

tavola n° 1

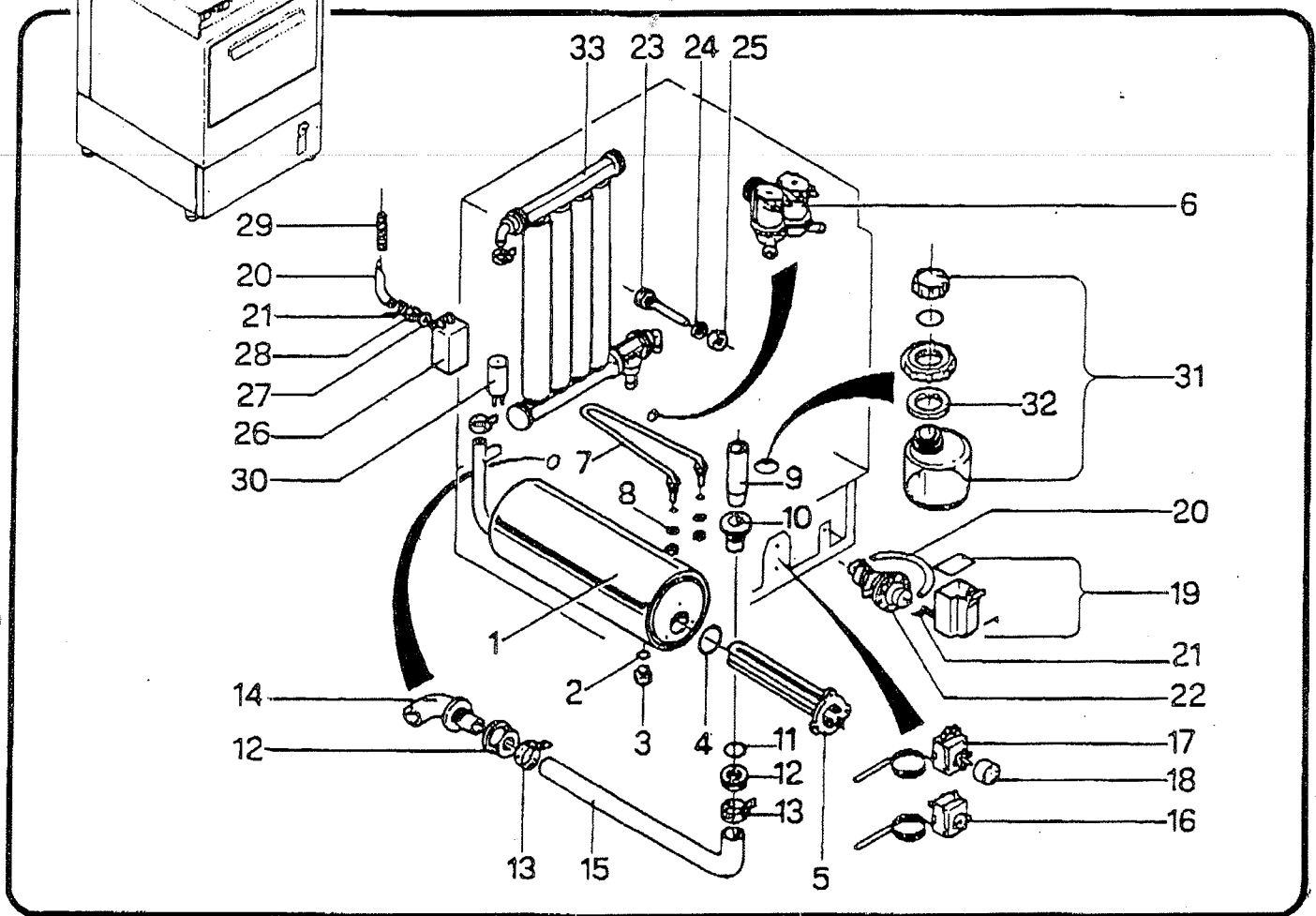
POS.	CODICE	DESCRIZIONE	DENOMINAZIONE	DESCRIPTION	BEZEICHNUNG
1	901068	CARROZZERIA	CARROSSERIE	BASE	KAROSSERIE
2	904990	PIEDINO REGOLABILE	PETTY PIED REGABLE	RUBBER LEG	EINSTELLBARER SOCKEL
3	909030	DADO SCROCCHETTO	ECROU DU CLIQUET	NUT LATCH	KLIKENMUTTER
4	904380	O-RING	O-RING	O-RING	O-RING
5	908040	MOLLA	RESSORT	SPRING	FEDER
6	908290	SPERA INOX	SPHERE	BALL	KUGEL
7	908010	SEDE SPERA	SIEGE DE LA SPHERE	SEATING BALL	KUGELSATZ
8	908101	SCROCCHETTO	FERMETURE PORTE	DOOR CATCH	SCHNAPPVERSCHLUSS
9	905150	PORTA	PORTE	DOOR	TÜR
10	904790	PERNO PORTINA	TOURILLON DE LA PORTE	DOOR PIN	TÜRSCHARNIERESTIFT
11	908200	SEEGER	SEEGER	SEEGER	SEEGER SICHERUNG
12	905950	RONDELLA	RONDELLE	WASHER	UNTERLEGSHEIBE
13	908436	TAPPO	BOUCHON	PLUG	VERSCHLUSS
14	904932	PIASTRINA	PLAQUETTE	PLATE	PLÄTTCHEN
15	907240	TIRANTE PORTA	TIRANT DU PORTE	DOOR SCREW STAY	TÜR ZUGSTANGE
16	908430	PERNO PORTA	FERMETURE PORTE	DOOR SUPPORT	TÜRHALTERUNG
17	902040	DADO AUTOBLOCCANTE	ECROU	NUT	MUTTER
18	907881	VITE M5 X 30	VIS	SCREW	SCHRAUBE
19	904450	PANNELLO INFERIORE	PANNEAU INFERIEUR	LOWER PANEL	UNTERE TAFEL
20	904380	PANNELLO POSTERIORE	PANNEAU POSTERIEUR	BACK PANEL	HINTERWAND
21	904890	PANNELLO SUPERIORE	PANNEAU SUPERIEUR	UPPER SIDE PANEL	OBERE TAFEL
22	901873	GUIDA CESTELLO DX	COULISSE PANIER	BASKET GUIDE	KORBLEITUNG
23	901874	GUIDA CESTELLO SX	COULISSE PANIER	BASKET GUIDE	KORBLEITUNG
24	TR0220	CUSTODIA PER MAGNETE	PROTECTION MAGNETO	COVER MAGNET	MAGNETSCHUTZ



modifica A

tavola n° 5

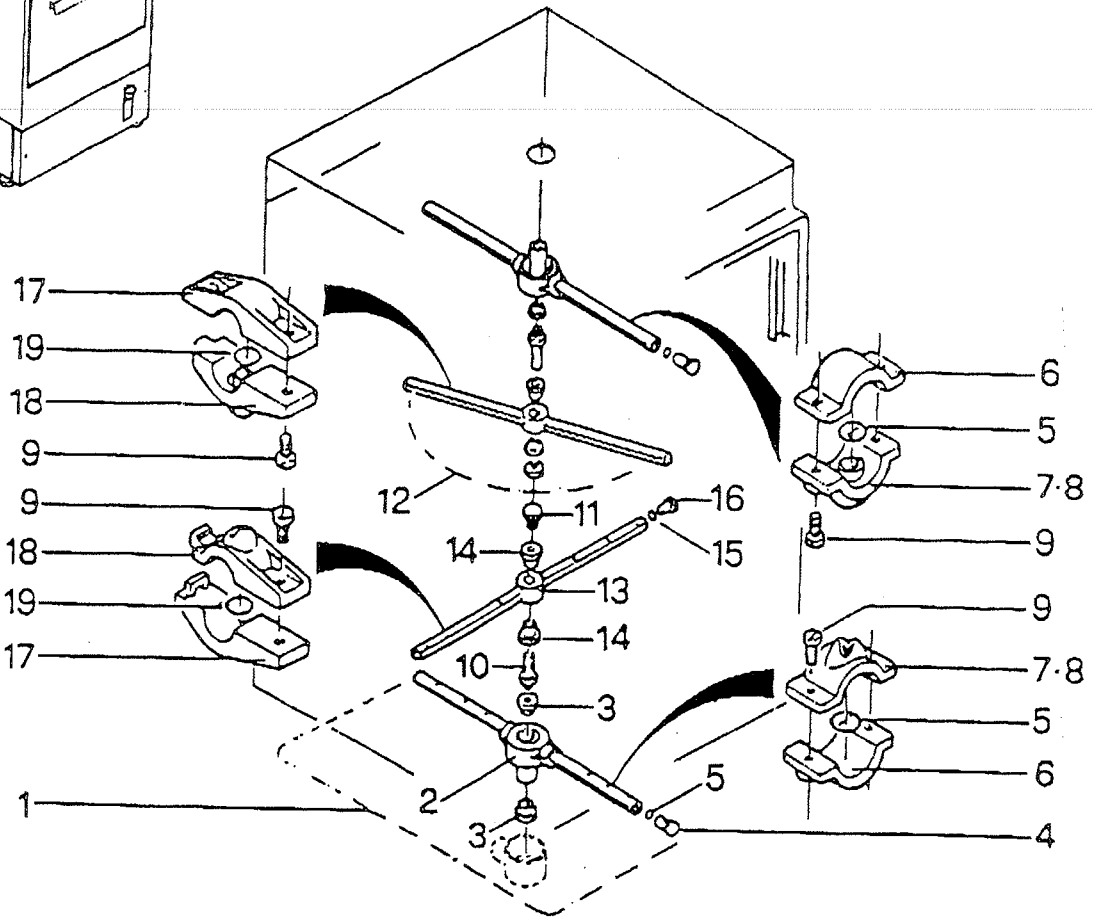
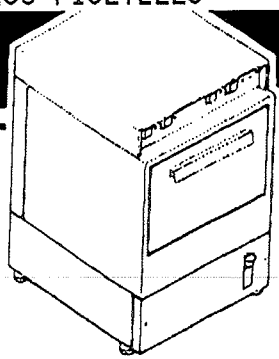
PO.L.	CODICE	DESCRIZIONE	DENOMINATION	DESCRIPTION	BEZEICHNUNG
1	904671	PANNELLO COMANDI COMPL.	TABEAU COMMANDE COMPLET	COMPLETE ELECTRIC PANEL	KOMPLETTE SCHALTAFEL
2	907008	TARGA AUTOADESIVA	PLAQUETTE	PLATE	SCHILD
3	905327	INTERRUTTORE PREPARAZIONE	INTERRUPTEUR DE PREPARAT.	"PREPARATION" SWITCH	DRUCKKNOPF VORBEREITUNG
4	903829	SPIA PREPARAZIONE	LAMPE DE PREPARATION	"PREPARATION" LAMP	KONTROLLAMPE "VORBEREITUNG"
5	905322	PULSANTE CICLO	BOUTON CYCLE	"CYCLE" PUSH-BUTTON	DRUCKKNOPF "ZYCLUS"
6	903829	SPIA CICLO	LAMPE CYCLE	"CYCLE" LAMP	KONTROLLAMPE "ZYCLUS"
7	905323	INTERRUTT. RISCIAQ. FREDDO	INTERRUPT. RINÇAGE EAU FROIDE	COLD RINSE SWITCH	DRUCKKNOPF KALTE NACHSPÜLLUNG
8	903829	SPIA RISCIAQUO FREDDO	LAMPE RINÇAGE EAU FROIDE	COLD RINSE LAMP	KONTROLLAMPE KALTE NACHSPÜLLUNG
9	905322	PULSANTE RIGENERAZIONE	BOUTON REGENERATION	REGENERATION BUTTON	DRUCKKNOPF REGENERIERUNG
10	903829	SPIA RIGENERAZIONE	LAMPE REGENERATION	REGENERATION LAMP	KONTROLLAMPEREGENERIERUNG
11	903852	LAMPADA BOILER	LAMPE BOILER	BOILER LAMP	WARMWASSERSPEICHERLAMPE
12	907172	TIMER LAVAGGIO	TIMER LAVAGE	WASHING TIMER	KONTROLLEUCHE "ZYCLUS"
13	907173	TIMER RIGENERAZIONE	TIMER REGENERATION	REGENERATION TIMER	REGENERIERUNGSZEITUNG
14	905270	PRESSOSTATO	PRESSOSTAT	PRESSURE SWITCH	DRUCKWAECHTER
15	904140	MORSETTIERE	BORNES	TERMINAL BOARD	KLEMMLEISTE
16	904170	MORSETTIERE	BORNES	TERMINAL BOARD	KLEMMLEISTE
17	904200	MORSETTIERE	BORNES	TERMINAL BOARD	KLEMMLEISTE
18	907860	VITE M5 X 12	VIS	SCREW	SCHRAUBE
19	TR0308	REED MAGNETICO	REED	REED	REED



modifica A

tavola n° 2

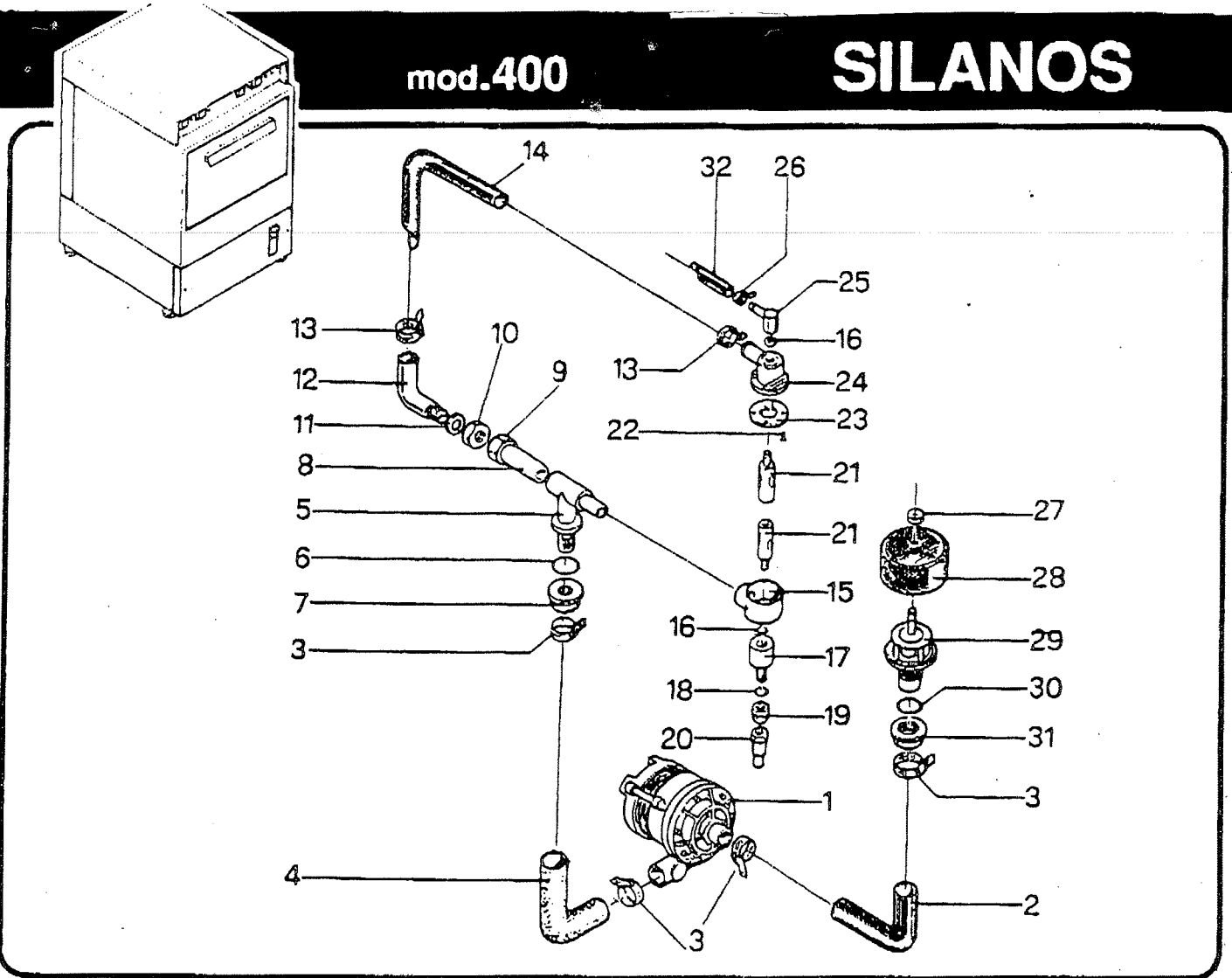
POS.	CODICE	DESCRIZIONE	DENOMINATION	DESCRIPTION	BEZEICHNUNG
1	900440	BOILER	CHAUFFE EAU	BOILER	HEISSWASSERSPEICHER
2	904430	O-RING	O-RING	O-RING	O-RING
3	907820	VITE	VIS	SCREW	SCHRAUBE
4	907981	O-RING	O-RING	O-RING	O-RING
5	905500	RESISTENZA	RESISTANCE	HEATING ELEMENT	HEIZKÖRPER
8	902400	ELETTROVALVOLA A 2 VIE	SOUPAPE ELECTRIQUE	ELECTRIC VALVE	ELEKTROVENTIL
8	902410	ELETTROVALVOLA A 3 VIE	SOUPAPE ELECTRIQUE	ELECTRIC VALVE	ELEKTROVENTIL
7	905720	RESISTENZA 1.000W	RESISTANCE	HEATING ELEMENT	HEIZKÖRPER
8	904391	O-RING	O-RING	O-RING	O-RING
9	907331	TROPPO PIENO	NIVEAU	OVER FLOW	VEBERLAUF
10	905440	RACCORDO SCARICO	RACCORD DECHARGE	PIPE FITTING FOR OUTLET	ABLAUFANSCHLUSS
11	904390	O-RING	O-RING	O-RING	O-RING
12	9022070	GHIERA 1" GAS Ø	FRETTE	RING-NUT	NUTMUTTER
13	902481	FASCETTA 1" 30-40	COLLIER	CLAMP	SCHELLE
14	905400	RACCORDO DI SCARICO	RACCORD DE DECHARGE	PIPE FITTING FOR OUTLET	ABLAUFANSCHLUSS
15	903821	MANICOTTO SCARICO	MANCHON DE DECHARGE	DRAINING OUTLET	AUSLASSMUFFE
16	907120	TERMOSTATO VASCA	THERMOSTAT DU PANIER	TANK THERMOSTAT	WANNENTHERMOSTAT
17	907100	TERMOSTATO 0°-90°	THERMOSTAT	THERMOSTAT	THERMOSTAT
18	903982	MANOPOLA	BOUTON	KNOB	KNOPF
19	901761	CONTENITORE BRILLANTANTE	RECIPIENT BRILLANTANT	GLASSAGENT CONTAINER	GLANZSPÜLMITTELBEHALTER
20	907270	TUBO ASP. BRILLANTANTE	TUYAU	PIPE	LAUCH
21	902425	FASCETTA ELASTICA	COLLIER	CLAMP	SCHELLE
22	902203	DOSATORE COMPLETO	DOSEUR COMPLET	COMPLETE DOSING DEVICE	DOSIERSATZ
23	905190	PORTA BULBO	SIEGE DE BULBE	SEATING BULB	KUGELSITZ
24	903250	GIARNIZIONE 1/2" GAS	JOINT	GASKET	DICHTUNG
25	902110	GHIERA 1/2" GAS	VIROLE	LOCK NUT	NUTMUTTER
28	907252	TRAPPOLA ARIA	RESERVOIR AIR	AIR TRAP	LUFTFALLE
27	903260	GIARNIZIONE 3/8" GAS	JOINT	GASKET	DICHTUNG
28	902100	GHIERA 3/8" GAS	VIROLE	LOCK NUT	NUTMUTTER
29	904131	MOLLA TRAPPOLA ARIA	RESSORT	SPRING	FEDER
30	901740	CONDENSATORE 12.5µF	CONDENSATEUR	CONDENSER	KONDENSATOR
31	901770	CONTENITORE SALE	RECIPIENT DU SEL	SALT CONTAINER	SALZBEHALTER
32	903340	GIARNIZIONE	JOINT	GASKET	DICHTUNG
33	902150	DECALCIFICATORE	GROUPE ANTI-CALCAIRE	DECALCIFER	ENKALTER



modifica A

tavola n° 4

POS.	CODICE	DESCRIZIONE	DEMININATION	DESCRIPTION	BEZEICHNUNG
1	902931	GIRANTE LAVAGGIO COMPLETA	BRAS DE LAVAGE COMPLET	COMPLETE WASH ARM	KOMPLETTE WASCHLAUFRAD
2	902930	GIRANTE LAVAGGIO	BRAS DE LAVAGE	WASH ARM	WASCHLAUFRAD
3	900513	BUSSOLA LAVAGGIO	DOUILLE DE LAVAGE	WASH BUSH	WASCHBUCHSE
4	906440	TAPPO GIRANTE LAVAGGIO	BOUCHON BRAS DE LAVAGE	PLUG FOR WASH ARM	VERSCHLUSS WASCHLAUFRAD
5	904311	O-RING	O-RING	O-RING	O-RING
6	901701	COLLARE PER GETTO	COLLIER POUR JET	COLLAR FOR JET	KRAGEN DÜSE
7	902801	GETTO LAVAGGIO DX	JET DE LAVAGE DROITE	RIGHT-HAND WASHING JET	RECHTE WASHDÜSE
8	902802	GETTO LAVAGGIO SX	JET DE LAVAGE GAUCHE	LEFT-HAND WASHING JET	LINKE WASHDÜSE
9	907720	VITE	VIS	SCREW	SCHRAUBE
10	904760	PERNO RISCIAQUO	TOURILLON DE RINÇAGE	RINSE PIN	SPÜLSTIFT
11	902880	GHIERA BLOCCAGGIO	FRETTE DE BLOCAGE	RING NUT	KLEMMUTTER
12	902991	GIRANTE RISCIAQUO COMPLETO	BRAS DE RINÇAGE COMPLET	COMPLETE RINSEARM	KOMPLETTE SPÜLLAUFRAD
13	902980	GIRANTE RISCIAQUO	BRAS DE RINÇAGE	RINSE ARM	SPÜLLAUFRAD
14	900520	BUSSOLA RISCIAQUO	DOUILLE DE RINÇAGE	RINSE BUSH	SPÜLBUCHSE
15	904321	O-RING	O-RING	O-RING	O-RING
16	906450	TAPPO GIRANTE RISCIAQUO	BOUCHON BRAS DE RINÇAGE	PLUG FOR RINSEARM	VERSCHLUSS SPÜLLAUFRAD
17	901710	COLLARE PER GETTO	COLLIER POUR JET	COLLAR FOR JET	KRAGEN DÜSE
18	902811	GETTO RISCIAQUO	JET DE RINÇAGE	RINSE JET	SPÜLDÜSE
19	904310	O-RING	O-RING	O-RING	O-RING



modifica A

tavola n° 3

POS.	CODICE	DESCRIZIONE	DEMONINATION	DESCRIPTION	BEZEICHNUNG
1	902260	POMPA HP 0,50	POMPE	PUMP	PUMPE
1	902270	POMPA HP 0,50	POMPE	PUMP	PUMPE
2	903871	MANICOTTO ASPIRAZIONE	MANCHON D'ASPIRATION	JNLET ELBOW	ANSAUGMUFFE
3	902481	FASCETTA $\varnothing$ 40-55	COLLIER	CLAMP	SCHELLE
4	903732	MANICOTTO MANDATA	MANCHON DE REFAULEMENT	OUTLET ELBOW	AUSLAMUFFE
5	905402	RACCORDO	RACCORD	PIPE FITTING	ANSCHLUSSE
6	903325	GUARNIZIONE 1 1/4" GAS	JOINT	GASKET	DICHTUNG
7	902080	GHIERA 1 1/4" GAS	FRETTE	RING-NUT	NUTMUTTER
8	905411	CODOLO	TUYAU DE RACCORDEMENT	DRAIN - PIPE	VERBINDUNG
9	905422	DADO 1" GAS	ECROU	NUT	MUTTER
10	902130	GHIERA 1" GAS	FRETTE	RING-NUT	NUTMUTTER
11	903280	GUARNIZIONE 1" GAS	JOINT	GASKET	DICHTUNG
12	905399	RACCORDO MANDATA	RACCORD	PIPE FITTING	ANSCHLUSSE
13	902481	FASCETTA $\varnothing$ 30-40	COLLIER	CLAMP	SCHELLE
14	903785	MANICOTTO MANDATA SUP.	DURITE DE REFOULEMENT SUP	UPPER OUTLET ELBOW	OBERE AUSLASSMUFFE
15	904290	MOZZO INFERIORE	MOYEU INFERIEUR	LOWER HUB	UNTERE NABE
16	904390	O-RING	O-RING	O-RING	O-RING
17	908390	SUPPORTO	PALIER	JOURNAL-BEARING	TRAGER
18	904330	O-RING	O-RING	O-RING	O-RING
19	902100	GHIERA 3/8" GAS	VIROLE	LOCK NUT	NUTMUTTER
20	905398	RACCORDO	RACCORD	PIPE FITTING	ANSCHLUSSE
21	904740	PERNO LAVAGGIO	TOURILLON DE LAVAGE	WASH PIN	WASCHSTIFT
22	907781	VITE	VIS	SCREW	SCHRAUBE
23	903330	GUARNIZIONE	JOINT	GASKET	DICHTUNG
24	904300	MOZZO SUPERIORE	MOYEU SUPERIEUR	UPPER HUB	OBERE NABE
25	907930	RACCORDO RISCIACCOLO	RACCORD RINÇAGE	PIPE FITTING RINSING	OBERER SPULANSCHLUSS
28	902440	FASCETTA 13-20 $\varnothing$	COLLIER	CLAMP	SCHELLE
27	902850	GHIERA	FRETTE	RING NUT	NUTMUTTER
28	902580	FILTRO	FILTRE	FILTER	FILTER
29	905388	RACCORDO ASPIRAZIONE	RACCORD D'ASPIRATION	INTAKE PIPE FITTING	ANSAUGANSCHLUSS
30	903320	GUARNIZIONE	JOINT	GASKET	DICHTUNG
31	902090	GHIERA 1" 3/4 GAS	VIROLE	LOCK NUT	NUTMUTTER
32	907590	TUBO GOMMA $\varnothing$ 12X17	TUYAU EN CAOUTCHOUC	RUBBER HOSE	GUMMISCHLAUSCH