

www.atasrl.com

Modello
Modello
Modello
Modello

AT 900 - 1000 + PRP

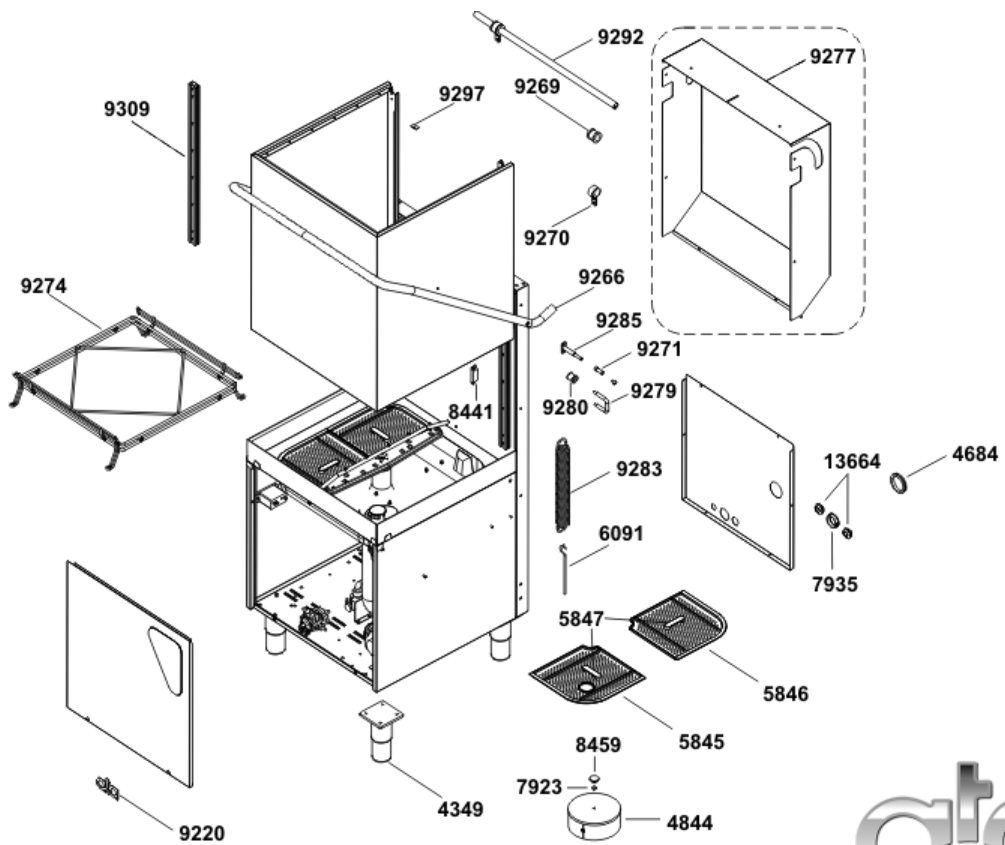
Dis. n° EI.AT.037

Data: 01/01/14



Professional dishwashers

A.T.A. S.R.L. 35026 CONSELVE (PD) ITALY VIALE DEL PROGRESSO 20 - Z. I. PHONE 049/9500555 (4 LINEE R.A.) FAX 049/9500560



www.atasrl.com

Modello
Modèle
Modell

AT 900 - 1000

Dis. n° EM.AT.023

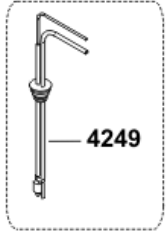
Data: 01/01/14



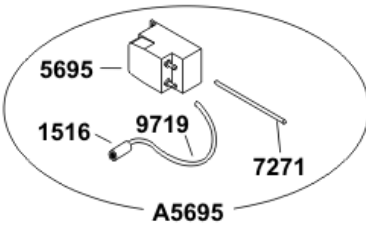
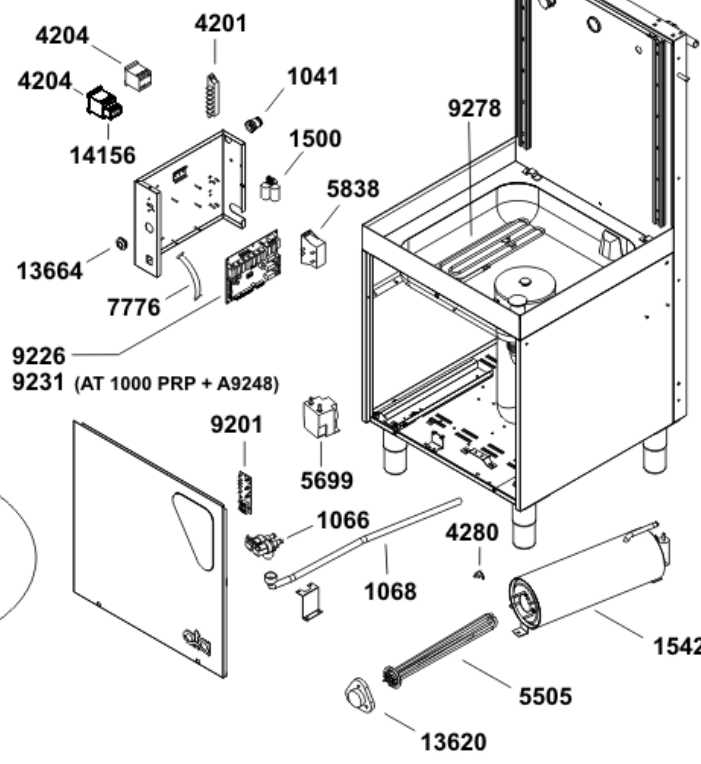
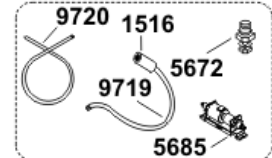
Professional dishwashers

A.T.A. S.R.L. 35026 CONSELVE (PD) ITALY VIALE DEL PROGRESSO 20 - Z. I. PHONE 049/9500555 (4 LINEE R.A.) FAX 049/9500560

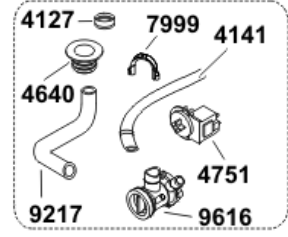
A4250



A9098E



A9248



www.atasrl.com

Modello
Modello
Modello
Modello

AT 1000 + PRP

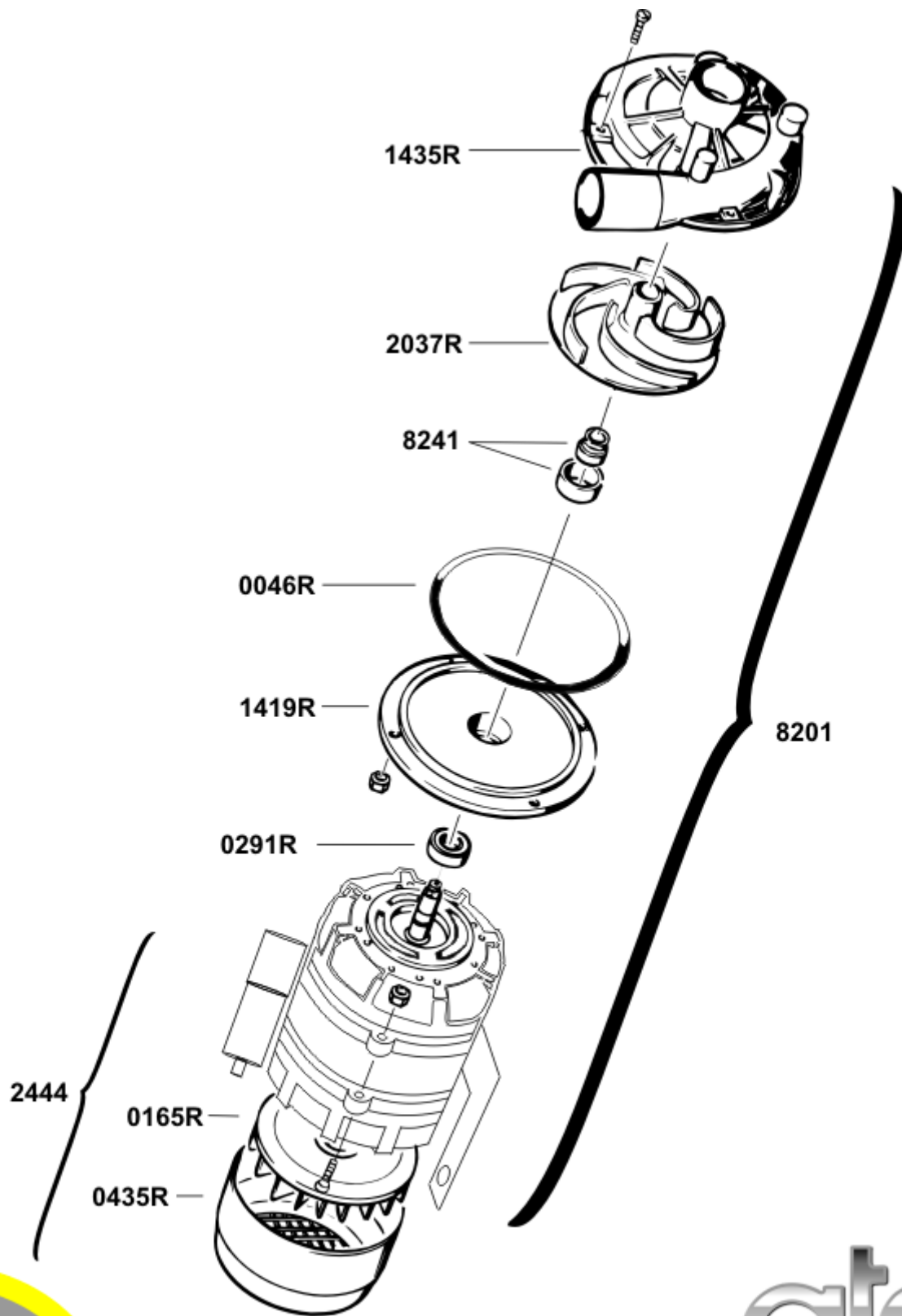
Dis. n° EE.AT.042

Data: 01/01/14



Professional dishwashers

A.T.A. S.R.L. 35026 CONSELVE (PD) ITALY VIALE DEL PROGRESSO 20 - Z. I. PHONE 049/9500555 (4 LINEE R.A.) FAX 049/9500560



www.atasrl.com

ELETTROPOMPA
0,62 kW

Modello
Modello
Modello
Modello

Dis. n° EE.P.034

Data: 01/10/10



Professional dishwashers

A.T.A. S.R.L. 35026 CONSELVE (PD) ITALY VIALE DEL PROGRESSO 20 - Z. I. PHONE 049/9500555 (4 LINEE R.A.) FAX 049/9500560