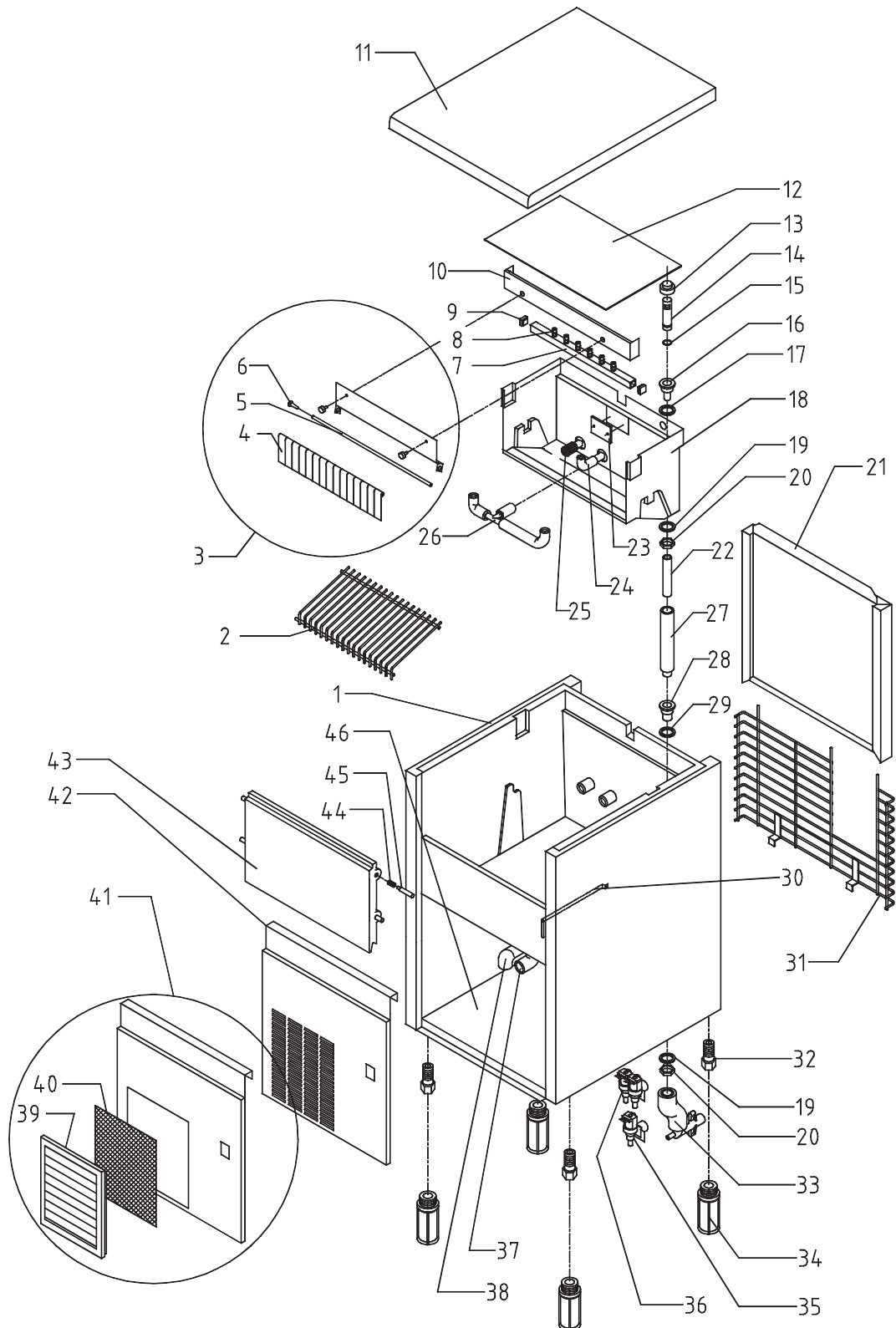


Shell assembly + Hydraulic circuit Mod. CB246-249-316-416-425-640-840-955-1265-1565 A/W



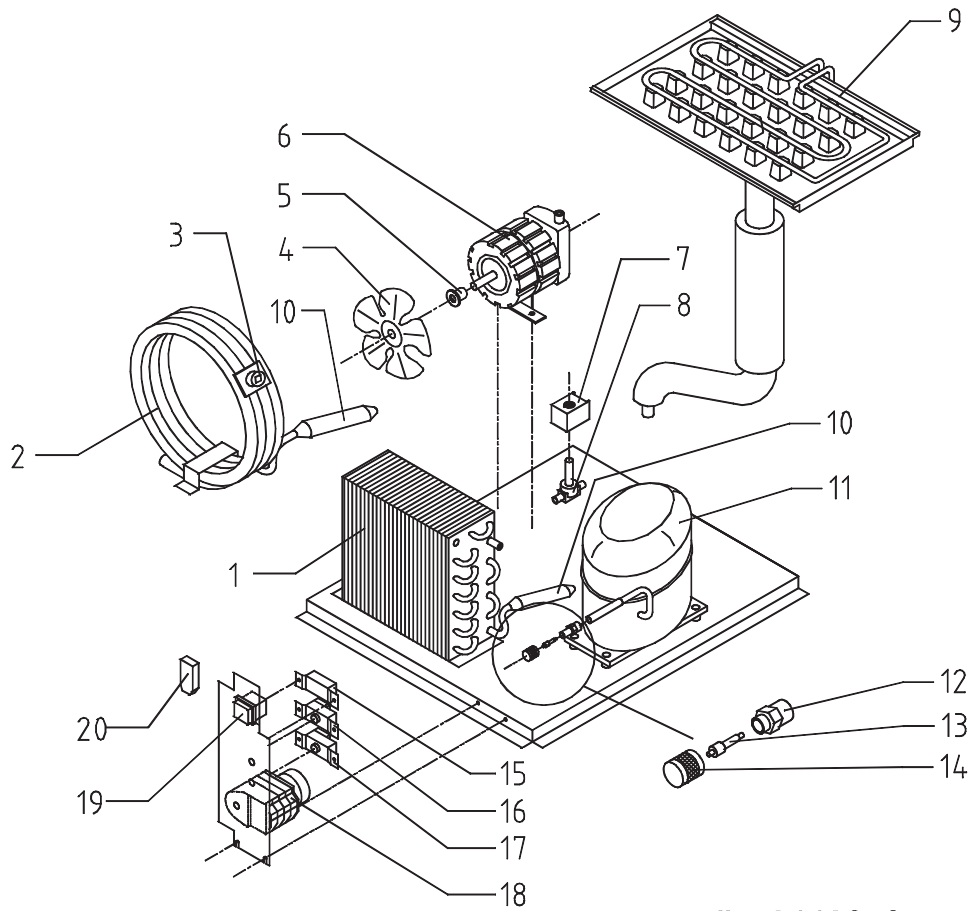
dis. 24489_1

Shell assembly + Hydraulic circuit Mod. CB425 A/W – (TAB. 8)

Ref.	Description	Refrigerant	A/W	Tension	Code
1	Foamed cabinet assy				C11014
2	Ice cubes slide				D12008
3	Flags support assy				C22035
4	Flag				10005
5	Flags rod				12007
6	Flags rod clip				10010
7	Sprayers bar assembly				C20029
8	Sprayer				D20002
9	Sprayers bar plug				10012
10	Evaporator holder				22009
11	Top assembly				C22692
12	Evaporator cover				10023
13	Overflow cap				10305
14	Overflow tube				10133
15	Or gasket for overflow pipe				20233
18	Inner basin				10253
19	Semirigid polyethylene gasket				13007
20	Bin discharge nut				10096
21	Rear panel assembly				C22130
22	Overflow pipe				13108
23	Slide keep plate				10009
24	Sprayers feeding pipe				13005
25	Pump suction filter				20005
28	Plastic nipple water outlet				10007
29	Silicone gasket				13006
30	Bulb thermostat tube				20522
31	Rear grid				D12006
33	Discharges manifold		A		C10006
33	Discharges manifold		W		C26452
34	Foot h.100 mm				10040
35	Inlet watervalue 1 way		A	1-2	23001
35	Inlet watervalue 1 way		A	3	23260
36	Inlet watervalue 2 ways		W	1-2	23010
36	Inlet watervalue 2 ways		W	3	23261
37	Pump suction pipe				13021
38	Pump delivery pipe				13019
39	Grid+frame				C10205
40	Filtering panel				18106
41	Front grid panel				C22508
43	Door				10297
44	Door pin spring				20499
45	Door pin				10269
46	Base plate				21013

Note: 13. Code 10305 from number 64086.
14. Code 13030 until number 64085. Code 10133 from number 64086.
15. Code 20233 from number 64086.
22. Code 13030 until number 64085. Code 13108 from number 64086.
30. Code 20017 until number 94752. Code 20522 from number 94753.
41. Code 22111 until number 28691. Code C22508 from number 28692.

Cooling system assembly Mod. CB246-249-316-416-425 A/W



dis. 24490_0

Cooling system assembly Mod. CB425 A/W – (TAB. 17)

Ref.	Description	Refrigerant	A/W	Tension	Code
1	Air condenser		A		20019
2	Water condenser		W		14014
3	Safety thermostat		W		C23114
4	Suction impeller				10213
5	Hub+washer+screw				10014
6	Pump			1-2	23002
6	Pump			3	23264
7	Hot gas coil			1-2	23091
7	Hot gas coil			3	23256
8	Hot gas valve body				20410
9	Evaporator				D10046
10	Molecular drier				14009
11	Compressor	R404A		1	23505
11	Compressor	R404A		2	23495
11	Compressor	R404A		3	23464
11	Compressor	R22		1	23320
11	Compressor	R22		2	23344
11	Compressor	R22		3	23370
12	Vacuum- charge valve body				14007
13	Vacuum-charge valve device				14005
14	Vacuum-charge valve plug				14006
15	Condenser pressure switch		W		23175
16	Bin thermostat				23005
17	Evaporator thermostat				23591
18	Timer			1	23222
18	Timer			2	23248
18	Timer			3	23259
19	Green light switch				23327
20	Anti radio interference filter		W	1	23457

Note: 18.Code 23222 from September 1992. Before Code 23003.