


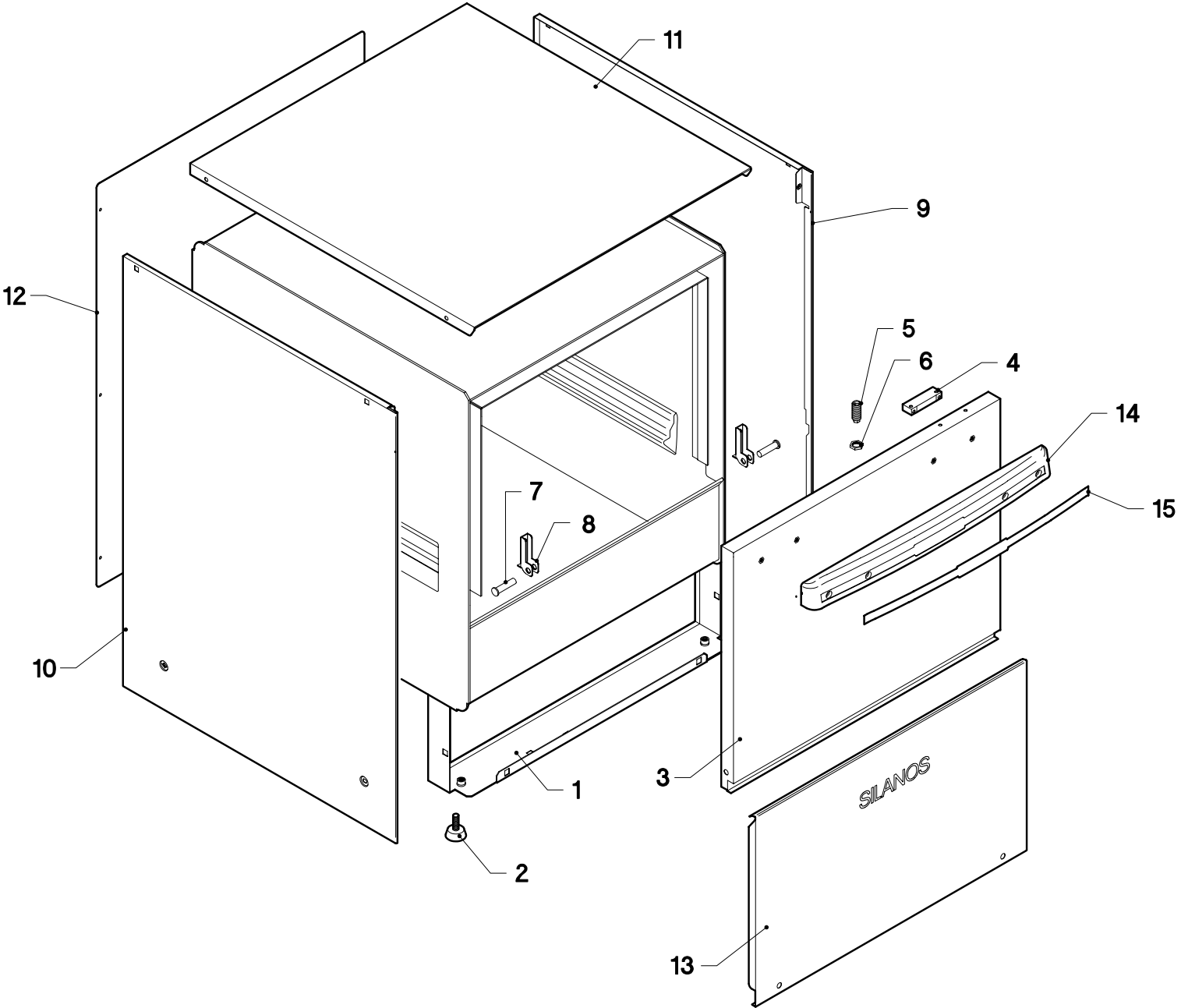
CE

I	LAVASTOVIGLIE INDUSTRIALI
F	LAVE-VAISSELLE INDUSTRIELS
GB	INDUSTRIAL DISHWASHER
D	INDUSTRIEGESCHIRRSPÜLER
ES	LAVAVAJILLAS INDUSTRIALES



622 A

 SILANOS [®] LAVASTOVIGLIE INDUSTRIALI	MANUALE PARTI DI RICAMBIO	
	CATALOGUES PIÈCES DETACHEES	
	SPARE PARTS MANUAL	
	ERSATZTEILEKATALOG	
ED. 2007	Cod. 202008	MANUAL PARTES DE REPUESTOS

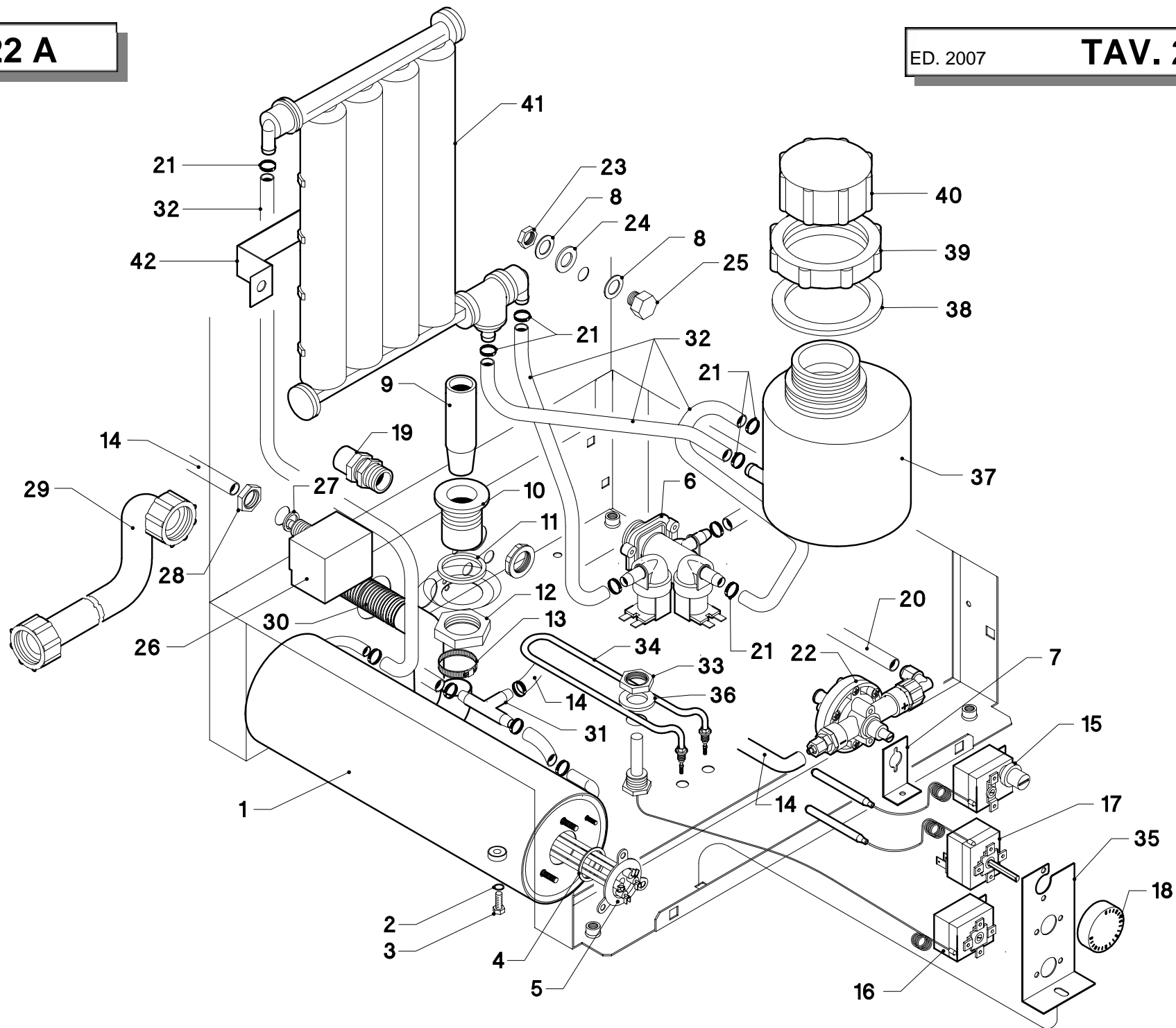


622 A

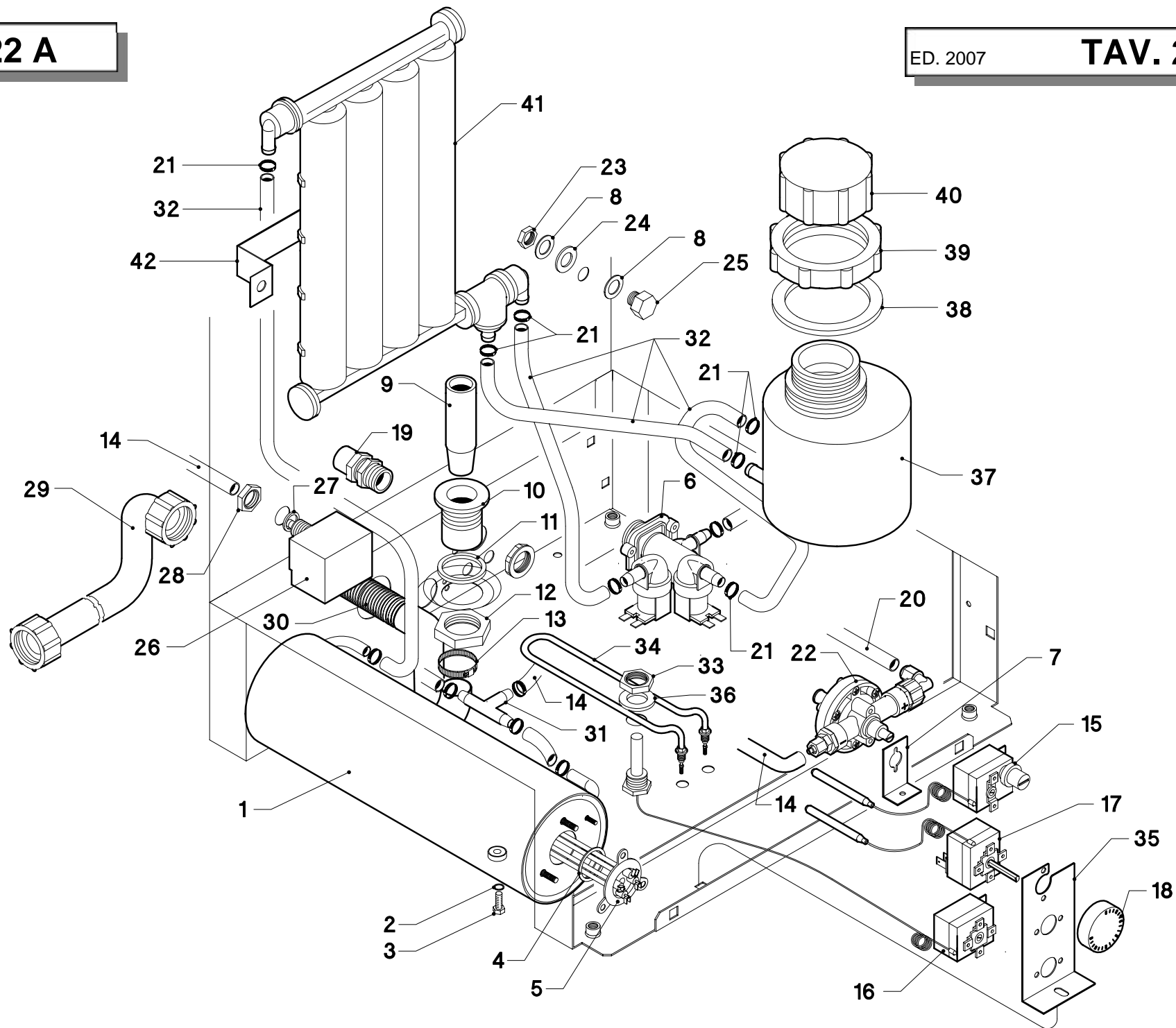
ED. 2007

TAV. 1

Pos.	COD.	Q.tà	DESCRIZIONE	DENOMINATION	DESCRIPTION	BEZEICHNUNG	DESCRIPCIÓN
1	901722	1	CARROZZERIA	CARROSSERIE	CABINET	KARROSSERIE	CARROCERIA
2	904980	4	PIEDINO REGOLABILE	PETIT PIED RÉGABLE	RUBBER LEG	EINSTELLBARESOCKEL	PIÉ REGULABLE
3	905068	1	PORTA	PORTE	DOOR	TÜR	PUERTA
4	903651	1	CUSTODIA CON MAGNETE	PROTECTION MAGNETO	COVER MAGNET	MAGNETSCHUTZ	ESTUCHE CON IMÁN
5	906121	1	SCROCCHETTO INOX	CLIQUET FERMETURE PORTE	DOOR CATCH	SCHNAPPVERSCHLUSS	SCROCCHETO
6	902023	1	DADO SCROCCHETTO	ECROU DU CLIQUET	NUT LATCH	KLINKENMUTTER	TUERCA
7	904795	2	PERNO PORTA	TOURILLON DE LA PORTE	DOOR PIN	TÜRSCHARNIERESTIFT	PERNO PUERTA
8	901245	2	CERNIERA	PATTE	DOOR SUPPORT	SCHARNIER	BISAGRA
9	906902	1	PANNELLO LATERALE DX	PANNEAU DROITE	RIGHT PANEL	RECHTE VERKLEIDUNG	PANEL DERECHO LATERAL
10	906903	1	PANNELLO LATERALE SX	PANNEAU GAUCHE	LEFT PANEL	LINKE VERKLEIDUNG	PANEL IZQUIERDO LATERAL
11	904622	1	PANNELLO SUPERIORE	PANNEAU SUPERIEUR	UPPER SIDE PANEL	OBERE VERKLEIDUNG	PANEL SUPERIOR
12	901725	1	PANNELLO POSTERIORE	PANNEAU POSTERIEUR	BACK PANEL	HINTERE VERKLEIDUNG	PANEL POSTERIOR
13	901729	1	PANNELLO INFERIORE	PANNEAU INFERIEUR	LOWER PANEL	UNTERE VERKLEIDUNG	PANEL INFERIOR
14	903935	1	MANIGLIA PORTA	MANILLE	HANDLE	KLINKE	MANILLA
15	901654	1	PROFILO MANIGLIA	LISTEAU MANILLE	HANDLETRIM	KLINKE PROFIL	PERFIL MANILLA



Pos.	COD.	Q.tà	DESCRIZIONE	DENOMINATION	DESCRIPTION	BEZEICHNUNG	DESCRIPCIÓN
1	900368	1	BOILER	CHAUFFE EAU	BOILER	HEISSWASSERSPEICHER	BOILER
2	904430	1	O-RING TAPPO BOILER	O-RING BOUCHON	O-RING PLUG	O-RING FROPFEN	O-RING TAPÓN
3	907820	1	VITE	VIS	SCREW	SCHRAUBE	TORNILLO
4	907981	1	O-RING	O-RING	O-RING	O-RING	O-RING
5	905496	1	RESISTENZA 2600W	RESISTANCE	HEATING ELEMENT	HEIZKÖRPER	RESISTENCIA
6	902410	1	ELETTROVALVOLA A 3 VIE	SOUPAPE ELECTRIQUE	ELECTRIC VALVE	ELEKTROVENTIL	VALVULA ELETTRICA
7	906375	1	SUPPORTO DOSATORE	SUPPORT DOSEUR	PROP. DÉVICE SUPPORT	DOSIEURZUSCHLAG	SOPORTE DOSADOR
8	906375	1	SUPPORTO DOSATORE	SUPPORT DOSEUR	PROP. DÉVICE SUPPORT	DOSIEURZUSCHLAG	SOPORTE DOSADOR
9	907280	1	TROPPO PIENO	NIVEAU	OVER FLOW	VEBERLAUF	DAMISIADO LLENO
10	905440	1	RACCORDO SCARICO 1"	RACCORD DÉCHARGÉ	PIPE FITTING FOR OUTLET	ABLAUFANSCHLUSS	EMPALME DESAGOTE
11	904350	1	O-RING	O-RING	O-RING	O-RING	O-RING
12	902070	1	GHIERA 1" GAS	FRETTE	RING-NUT	NUT MUTTE	ABRAZADERA
13	902460	1	FASCETTA Ø 26÷38	COLLIER	CLAMP	SHELLE	GUARNICIÓN
14	907279	2	TUBETTO PRESSOSTATO SILIC.	TUYAU PRESSOSTAT	PRESSURE SWITCH PIPE	SCHLAUCH	TUBO PRESÓSTATO
15	907125	1	TERMOSTATO DI SICUREZZA	THERMOSTAT	THERMOSTAT	THERMOSTAT	TERMÓSTATO DE SEGURIDAD
16	907124	1	TERMOSTATO VASCA	THERMOSTAT DU PANIER	TANK THERMOSTAT	WANNER THERMOSTAT	TERMÓSTATO DE PILETA
17	TR0440	1	TERMOSTATO 0°-90°	THERMOSTAT	THERMOSTAT	THERMOSTAT	TERMÓSTATO
18	903982	1	MANOPOLA	BOUTON	KNOB	KNOPF	EMPUÑADURA
19	902687	1	PRESSACAVO PG. 13,5	FIXAGE DU CABLE D'ALIM.	FIXING CABLE	KABELBEFESTIGER	PRESACAVO
20	907270	1	TUBO ASP. BRILLANTANTE	TUYAU	PIPE	LAUCH	TUBO DE ASPIRACION ABRILL.
21	902440	8	FASCETTA 13÷20	COLLIER	CLAMP	SHELLE	ABRAZADERA
22	902013	1	DOSATORE	DOSEUR	DOSING DEVICE	DOSIERSATZ	DOSIFICADOR
23	902025	1	DADO M10	ÉCROU	NUT	MUTTER	TUERCA
24	903403	1	GUARNIZIONE	JOINT	GASKET	DICHTUNG	GUARNICIÓN
25	907846	1	VITE M10X16	VIS	SCREW	SCHRAUBE	TORNILLO
26	905273	1	TRAPPOLA ARIA	RESERVOIR AIR	AIR TRAP	LUFTFALLE	TRAMPA DEL AIRE
27	903260	1	GUARNIZIONE 3/8"	JOINT	GASKET	DICHTUNG	GUARNICIÓN
28	902100	1	GHIERA 3/8" GAS	VIROLE	LOCK NUT	NUT MUTTER	ABRAZADERA
29	907344	1	TUBO DI CARICO	TUYAN D'ENTRÉE DE L'EAU	INLET PIPE	WASSERZUFÜHRROHR	TUBO
30	907440	1	TUBO DI SCARICO	TUYAU DE DÉCHARGÉ	OUTLET HOSE	ABLAUFSCHLAUCH	TUBO DESAGOTE
31	905382	1	RACCORDO A 3 VIE	RACCORD	PIPE FITTING	ANSCHLUSSE	EMPALME
32	907295	5	TUBO GOMMA 12 x 19,5	TUYAU EN CAOUTCHOUC	RUBBER HOSE	GUMMISCHLAUCH	TUBO GOMA
33	902104	1	DADO 3/8"	ÉCROU	NUT	MUTTER	TUERCA
34	905771	1	RESISTENZA 1600W	RESISTANCE	HEATING ELEMENT	HEIZKÖRPER	RESISTENCIA

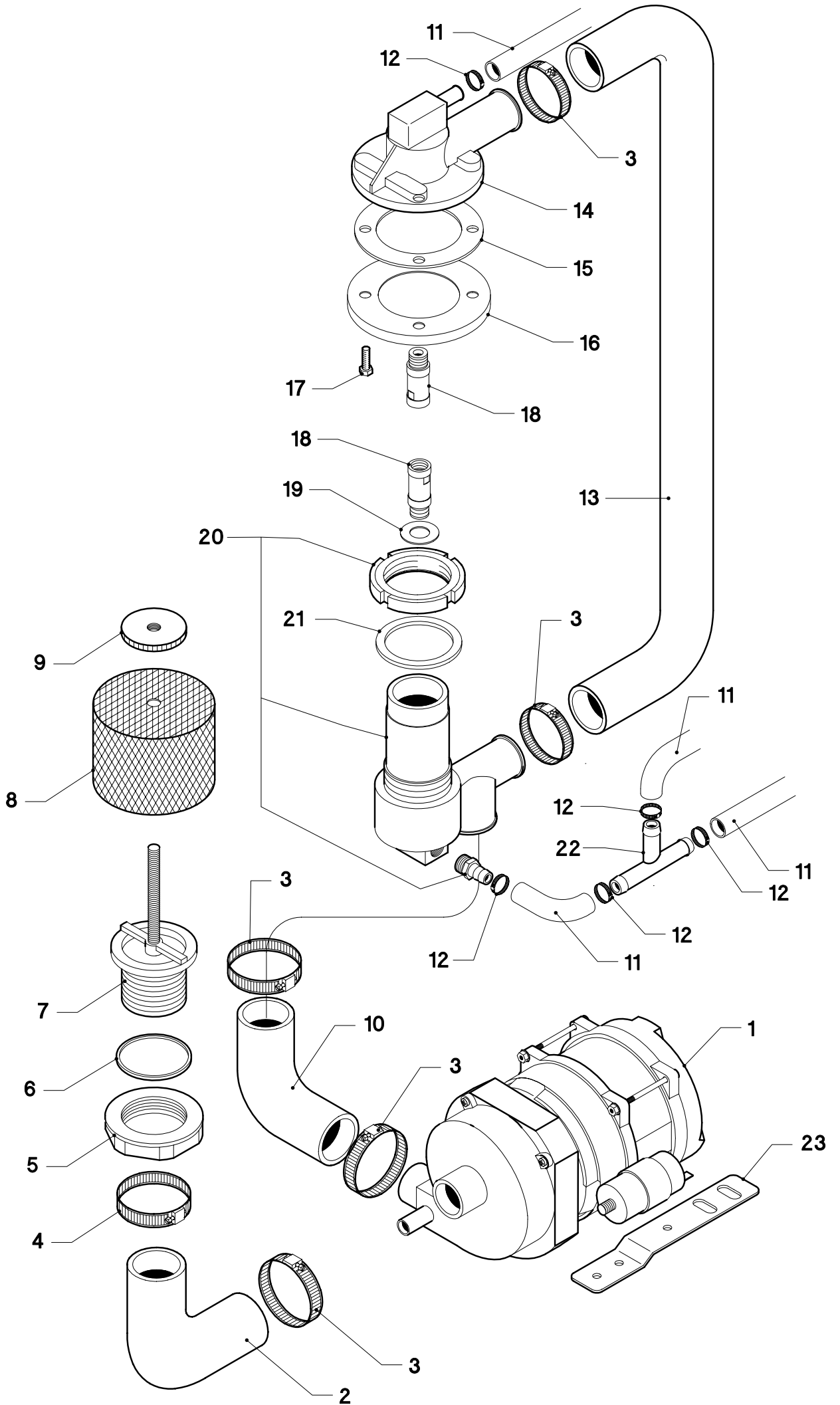


622 A

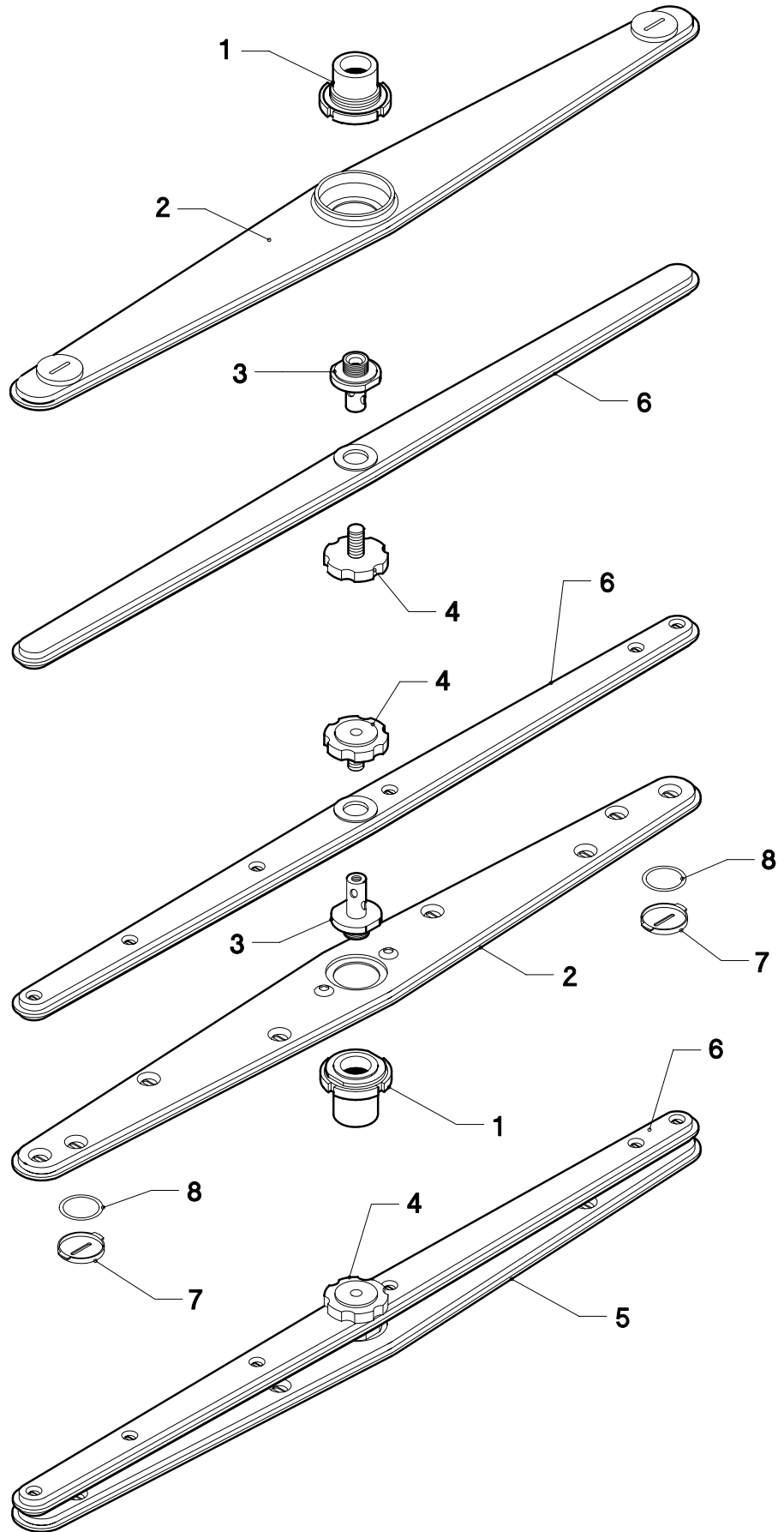
ED. 2007

TAV. 2

Pos.	COD.	Q.tà	DESCRIZIONE	DENOMINATION	DESCRIPTION	BEZEICHNUNG	DESCRIPCIÓN
35	906367	1	SUPPORTO TERMOSTATI	SUPPORT THERMOSTAT	THERMOSTAT SUPPORT	THERMOSTATHALTER	SOPORTE TERMÓSTATO
36	904991	1	GUARNIZIONE 3/8"	JOINT	GASKET	DICHTUNG	GUARNICIÓN
37	901770	1	CONTENITORE SALE	RÉCIPIENT SEL	CONTAINER SALT	BEHÄLTER-SALZ	RECIPIENTE SAL
38	903340	1	GUARNIZIONE CONTENITORE SALE	JOINT	GASKET	DICHTUNG	GUARNICIÓN
39	902830	1	GHIERA CONTENITORE SALE	VIROLE	LOCK NUT	NUT MUTTER	ABRAZADERA
40	906413	1	TAPPO	BOUCHON	PLUG	FROPFEN	TAPÓN
41	902150	1	DECALCIFICATORE	ADOUCCISSEURS	WATER SOFTENERS	WASSERENTHÄRTER	DECALCIFICADOR
42	904571	1	STAFFA FISSAGGIO DECALCIFIC.	ÉTRIER	BRACKET	KLAUE	SUPORTE



Pos.	COD.	Q.tà	DESCRIZIONE	DENOMINATION	DESCRIPTION	BEZEICHNUNG	DESCRIPCIÓN
1	902238	1	POMPA HP 0,20	POMPE	PUMP	PUMPE	BOMBA
2	903674	1	MANICOTTO ASPIRAZIONE	MANCHON D'ASPIRATION	INLET ELBOW	ANSAUGMUFFE	PALANCA DE ASPIRACIÓN
3	902460	5	FASCETTA Ø 26÷38	COLLIER	CLAMP	SHELLE	ABRAZADERA
4	902441	1	FASCETTA Ø 38÷50	COLLIER	CLAMP	SHELLE	ABRAZADERA
5	902080	1	GHIERA 1" ¼	VIROLE	LOCK-NUT	NUT MUTTER	ABRAZADERA
6	904380	1	O-RING	O-RING	O-RING	O-RING	O-RING
7	905380	1	RACCORDO ASPIRAZIONE	RACCORD D'ASPIRATION	INTAKE PIPE FITTING	ANSAUGANSCHLUSSE	EMPALME DE ASPIRACIÓN
8	902570	2	FILTRO	FILTRE	FILTER	FILTER	FILTRO
9	902850	1	GHIERA	VIROLE	LOCK-NUT	NUT MUTTER	ABRAZADERA
10	903668	1	MANICOTTO MANDATA	MANCHON DE REFAULEM.	OUTLET ELBOW	AUSLAMUFFE	PALANCA DE MANDO
11	907360	3	TUBO GOMMA Ø 10x17	TUYAN EN CAOUTCHOUC	RUBBER HOSE	GUMMISCHLAUSCH	TIUBO GOMA
12	902440	5	FASCETTA Ø 13÷20	COLLIER	CLAMP	SHELLE	ABRAZADERA
13	903739	1	MANICOTTO MANDATA SUP.	MANCHON DE REFOUL. SUP.	UPPER OUTLET ELBOW	OBERAUSLASSMUFFE	PALANCA DE MANDO SUP.
14	900033	1	MOZZO SUPERIORE	MOYEU SUPERIEUR	UPPER HUB	OBERNABE	BUJE SUPERIOR
15	903330	1	GUARNIZIONE	JOINT	GASKET	DICHTUNG	GUARNICIÓN
16	901775	1	FLANGIA	FLASQUE	FLANGE	FLANSCH	SOPORTE
17	907780	4	VITE M6X10	VIS	SCREW	SCHRAUBE	TORNILLO
18	904765	2	PERNO LAVAGGIO	TOURRILLON DE LAVAGE	WASH PIN	WASCHSTIFT	PERNO LAVADO
19	906032	1	RONDELLA	RONDELLE	WASHER	UNTERLEGSSCHEIBE	ARANDELA
20	905555	1	MOZZO INFERIORE	MOYEU INFERIEUR	INFERIOR HUB	OBERE	BUJE INFERIOR
21	903301	1	GUARNIZIONE	JOINT	GASKET	DICHTUNG	GUARNICIÓN
22	905382	1	RACCORDO A 3 VIE	RACCORD	PIPE FITTING	ANSCHLUSSE	EMPALME
23	904156	1	SUPPORTO POMPA	SUPPORT POMPE	PUMP SUPPORT	PUMPE TRÄGER	SOPORTE BOMBA

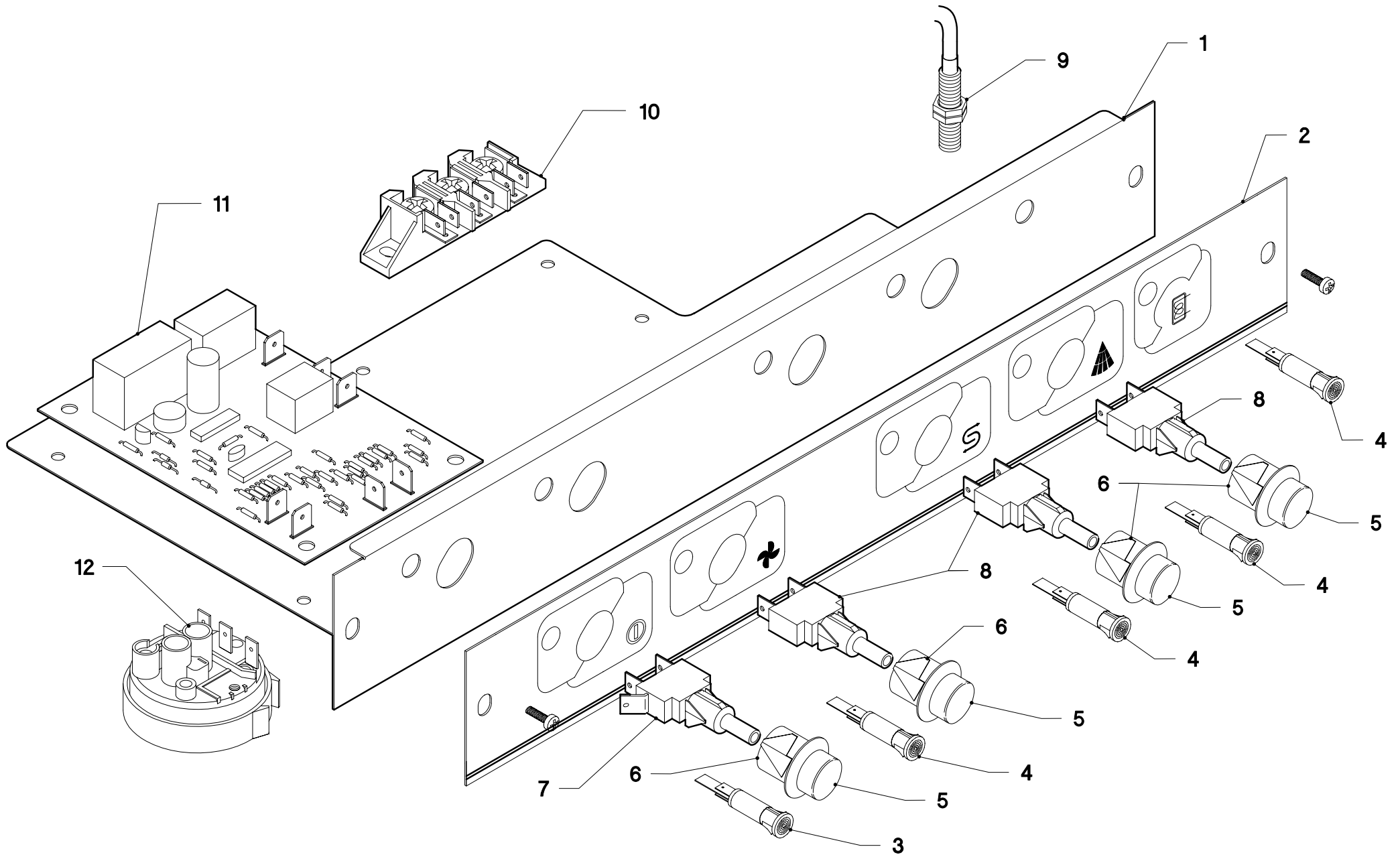


622 A

ED. 2007

TAV. 4

<i>Pos.</i>	<i>COD.</i>	<i>Q.tà</i>	<i>DESCRIZIONE</i>	<i>DENOMINATION</i>	<i>DESCRIPTION</i>	<i>BEZEICHNUNG</i>	<i>DESCRIPCIÓN</i>
1	904277	2	MOZZO + GHIERA	MOYEU + VIROLE	HUB + RING-NUT	NABE + KLEMMUTTER	BUJE + ABRAZADERA
2	902905	2	GIRANTE LAVAGGIO	BRAS DE LAVAGE	WASH ARM	SPÜLLARM	RODETE LAVADO
3	904760	2	PERNO GIRANTE RISC.	TOURILLON DE RINÇAGE	RINSE PIN	SPÜLLSTIFT	PERNO RODETE ENJUAGUE
4	902880	2	GHIERA BLOCCAGGIO	FRETTE DE BLOCAGE	RING-NUT	KLEMMUTTER	ABRAZADERA BLOQUEO
5	903104	2	GIRANTE LAVAGGIO COMP.	BRAS DE LAVAGE COMPL.	COMPL. WASH ARM	SPÜLLARM KOMPL.	RODETE LAVADO COMPL.
6	907955	2	GIRANTE RISCIAQUO	BRAS DE RINÇAGE	RINSE ARM	SPÜLLSTIFT	RODETE ENJUAGUE
7	906445	4	TAPPO ISPEZIONE	BOUCHON	PLUG	FROPFEN	TAPÓN
8	904324	4	O-RING TAPPO ISPEZIONE	O-RING	O-RING	O-RING	O-RING



622 A

ED. 2007

TAV. 5

Pos.	COD.	Q.tà	DESCRIZIONE	DENOMINATION	DESCRIPTION	BEZEICHNUNG	DESCRIPCIÓN
1	909260	1	PIASTRA PORTACOMPONENTI	PLAQUE COMPOSANTS	COMPONENT PLATE	PLATTE ZUSAMMENSETZEND	PLACA COMPONENTES
2	909171	1	TARGA	PLAQUETTE	PLATE	SCHILD	PLACA
3	903643	1	SPIA LINEA	LAMPE DE LIGNE	LINE LAMP	KONTROLLAMPE	LUZ LÍNEA
4	903642	4	LAMPADA	LAMPE	LAMP	KONTROLLAMPE	LÁMPARA
5	909145	4	TASTO	BOUTON	KEY	TASTE	TECLA
6	909146	4	SUPPORTO TASTO	SUPPORT BOUTON	SUPPORT KEY	TASTEHALTER	SOPORTE TECLA
7	905312	1	PULSANTE	BOUTON	PUSH-BUTTON	DRUCKKNOPF	INTERRUPTOR
8	905313	3	PULSANTE	BOUTON	PUSH-BUTTON	DRUCKKNOPF	INTERRUPTOR
9	TR0309	1	REED MAGNETICO	REED	REED	REED	REED MAGNÉTICO
10	904140	1	MORSETTIERA	BORNES	TERMINAL BOARD	KLEMMLEISTE	TABLEROS DE BORNES
11	907174	1	TIMER ELETTRONICO	TIMER ÉLECTRONIQUE	ELECTRONIC TYMER	ELEKTRONISCHER TIMER	TYMER ELECTRÓNICO
12	905270	1	PRESSOSTATO 20/40	PRESSOSTAT	PRESSURE SWITCH	DRUCHWAECHTE	PRESOSTATO