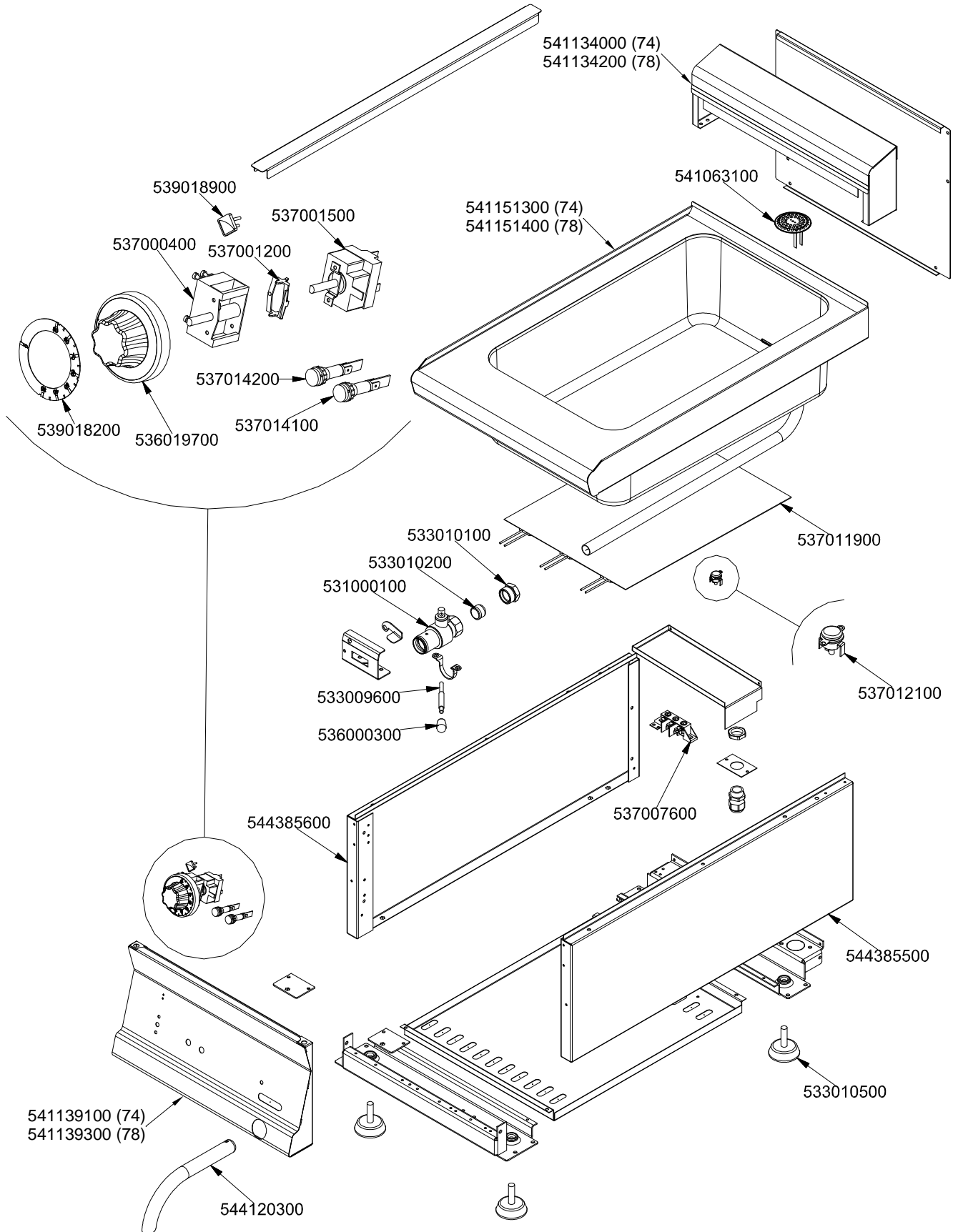


SUPERLOTUS 70 TOP
ELETRICO / ELECTRIC / ELEKTRO / ELECTRIQUE

BMT-74EM BMT-78EM



560040300M00P00

Page	Pos	Code	Description
001		541134000	NEUTRAL LOW SPACER 74
001		541063100	TANK DRAIN FILTER BS-4EM/CPM
001		541151300	UPPER PLATE BMT-74E
001		537001500	THERMOSTAT 30-90°C SINGLEPHASE
001		539018900	INDEX FOR KNOB
001		537000400	COMMUTATOR 1POS.SINGLEPHASE S49 16A
001		537001200	FIXING BRACKET FOR THERMOSTAT/COMM.
001		537014200	GREEN WARNING LIGHT 250V
001		537014100	WHITE WARNING LIGHT 250V
001		539018200	ADHESIVE GRADUATED DISC FOR KNOB
001		536019700	BLACK KNOB §70 PIN §6*5
001		537011900	HEATING ELEMENT W650 V230 ICE-FOIL
001		537012100	TEMPERATURE LIMITING DEVICE 165°C
001		533010100	3/4 D. 18 PIPE UNION
001		533010200	BICONE 18S
001		531000100	DRAIN COCK 3/4"
001		533009600	DRAIN COCK HANDLE
001		536000300	FIXED GRIP D.15*25*M6
001		544385600	LEFT SIDE OF 70T LINE
001		537007600	TERMINAL BLOCK SINGLEPHASE 40A
001		544385500	RIGHT SIDE OF 70T LINE
001		533010500	LEG M10*25 D.40
001		541139100	CONTROL PANEL S70/90 BMT-74/94E CP
001		544120300	DRAIN PIPE 22 FOR COCK 3/4"G