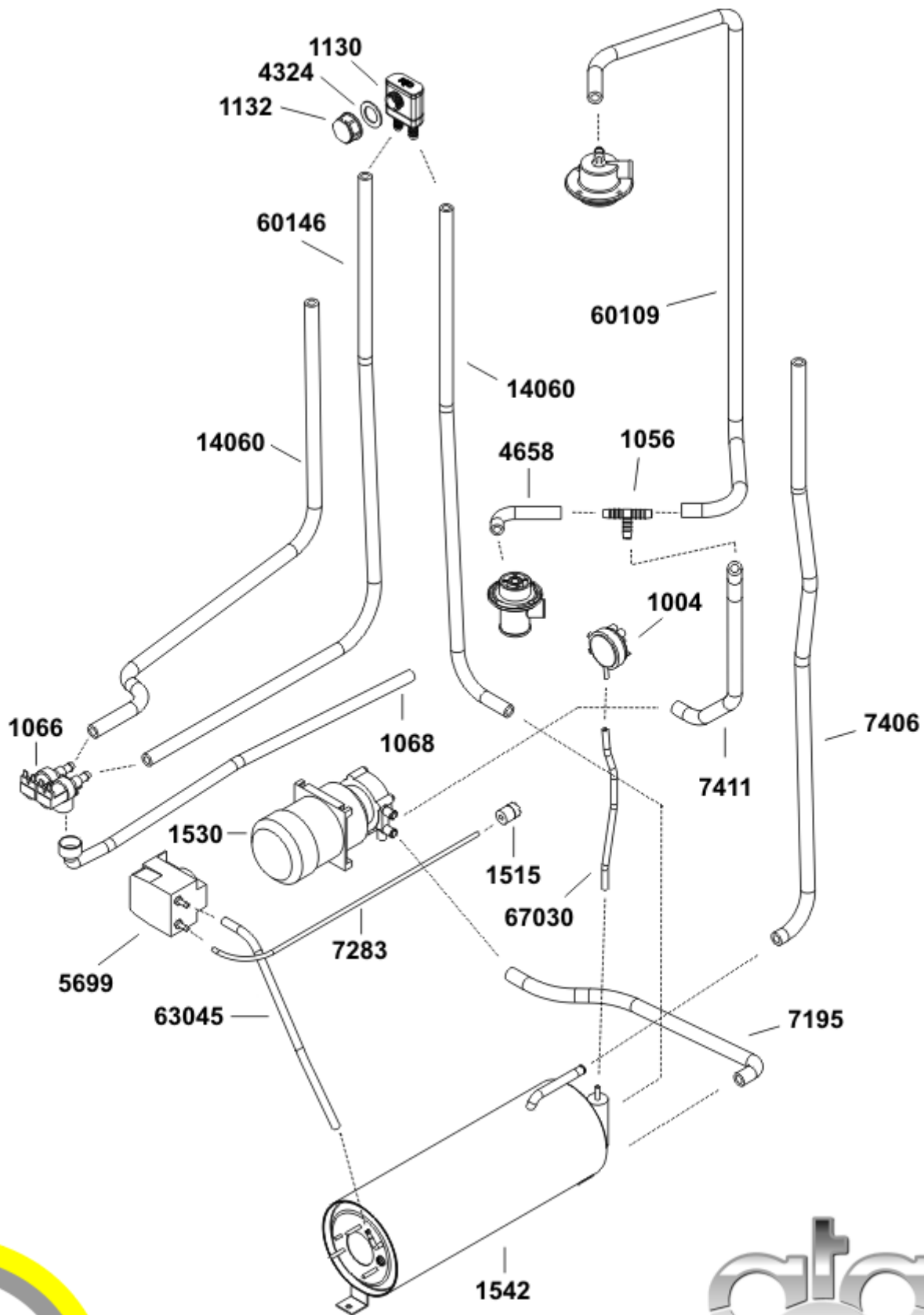


www.atasrl.com

Modello **AF 610 + PRP** Dis. n° EE.AF.107 Data: 01/01/14



A.T.A. S.R.L. 35026 CONSELVE (PD) ITALY VIALE DEL PROGRESSO 20 - Z. I. PHONE 049/9500555 (4 LINEE R.A.) FAX 049/9500560



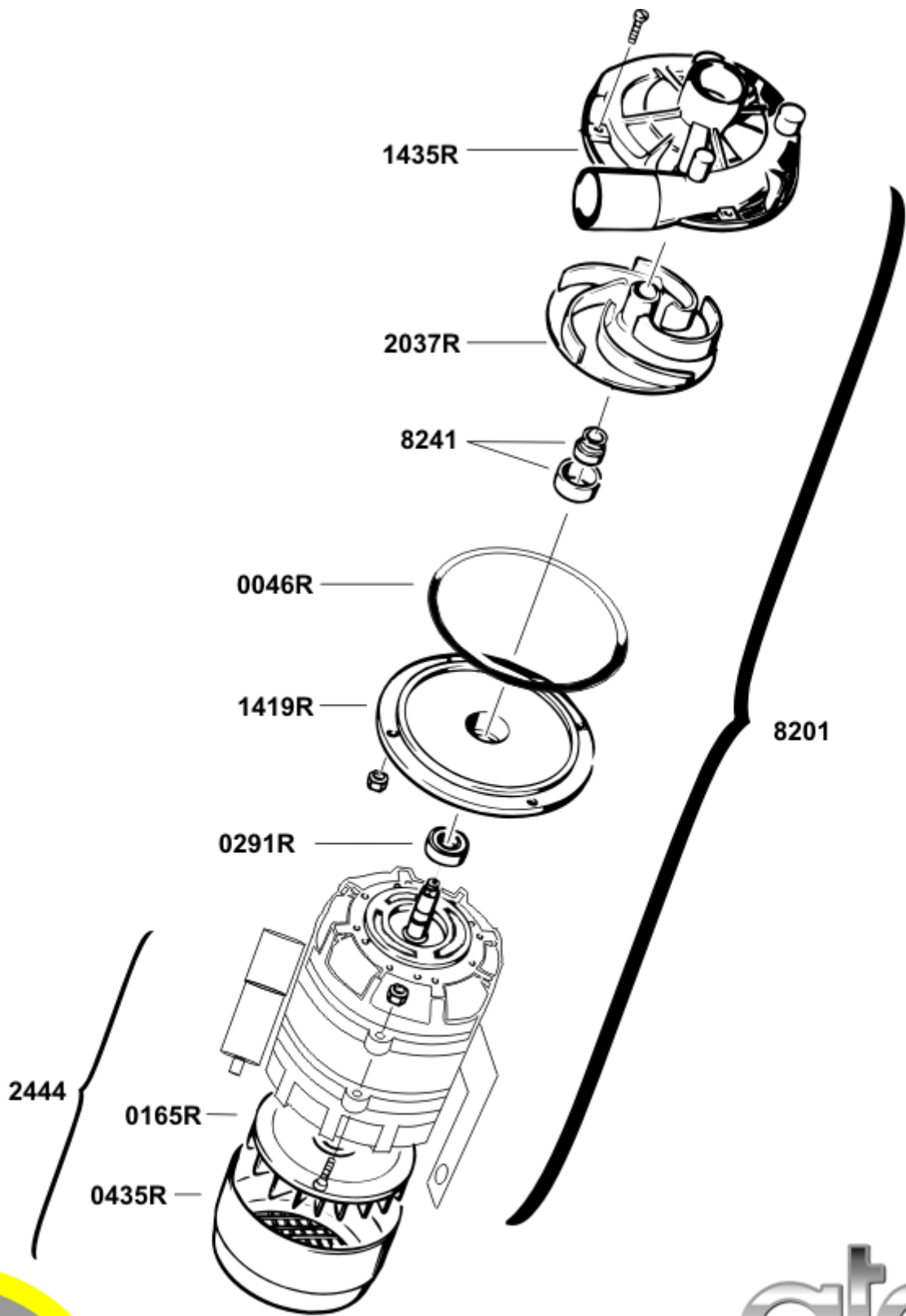
www.atasrl.com

Modello **AF 610 - 780 + PRP** Dis. n° EI.AF.106 Data: 01/01/14



Professional dishwashers

A.T.A. S.R.L. 35026 CONSELVE (PD) ITALY VIALE DEL PROGRESSO 20 - Z. I. PHONE 049/9500555 (4 LINEE R.A.) FAX 049/9500560



www.atasrl.com

**ELETTROPOMPA**  
**0,62 kW**

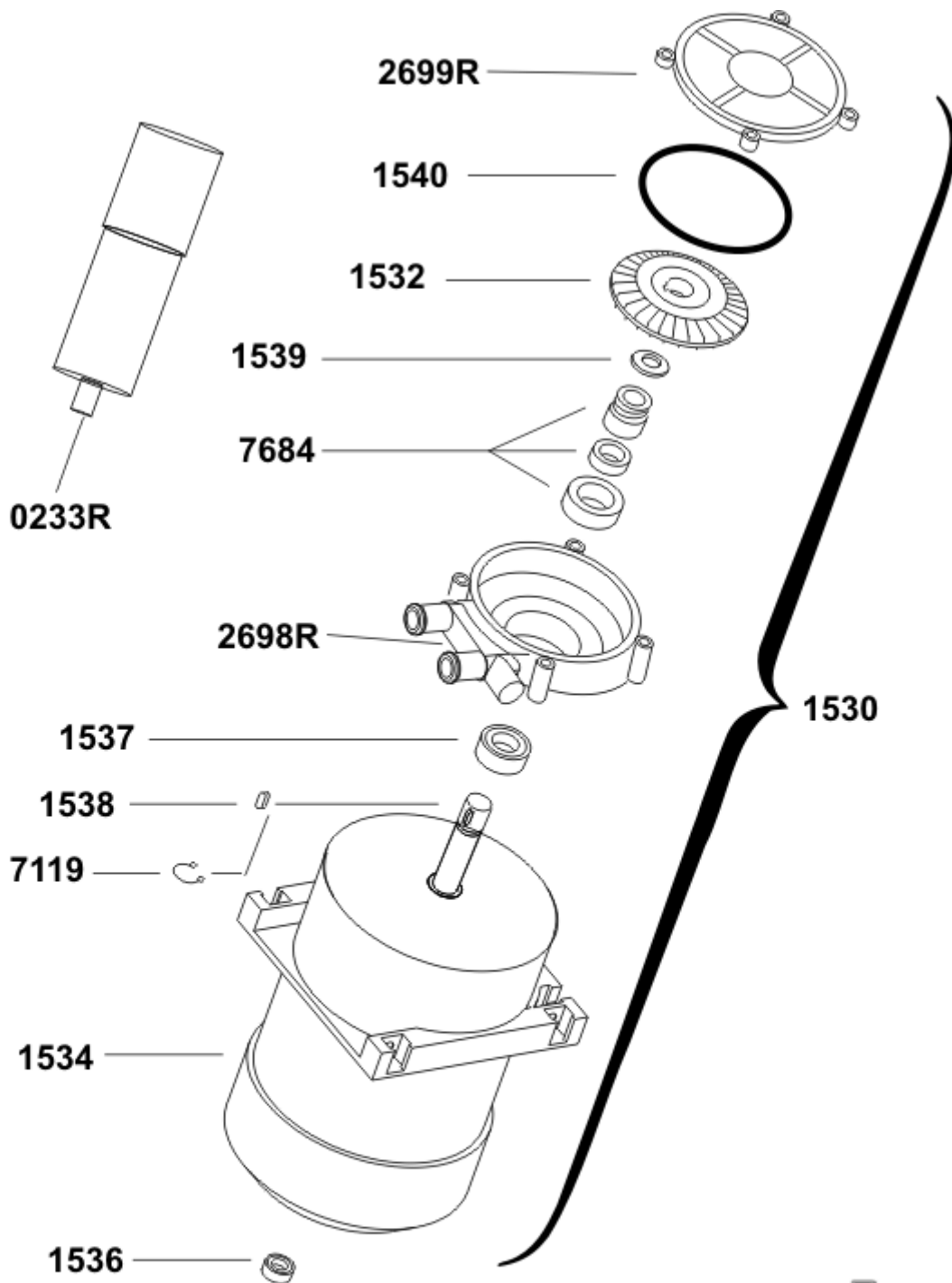
Dis. n° EE.P.034

Data: 01/10/10



Professional dishwashers

A.T.A. S.R.L. 35026 CONSELVE (PD) ITALY VIALE DEL PROGRESSO 20 - Z. I. PHONE 049/9500555 (4 LINEE R.A.) FAX 049/9500560



www.atasrl.com

Modello  
Modello  
Modello  
Modello

**Pompa aum.pressione**

Dis. n° EE.P.027

Data: 01/10/10



**Professional dishwashers**

A.T.A. S.R.L. 35026 CONSELVE (PD) ITALY VIALE DEL PROGRESSO 20 - Z. I. PHONE 049/9500555 (4 LINEE R.A.) FAX 049/9500560