

# DISHWASHER

ELECTRONICAL SWITCHES  
LOWER AND UPPER WASHING

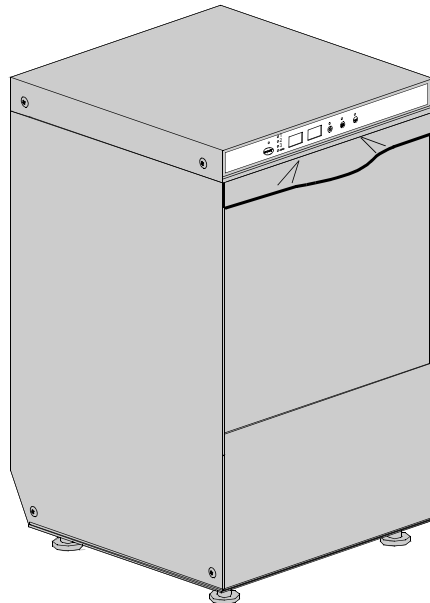
TYPE: 29ELK

Accessories  
BREAK TANK  
BOOSTER PUMP  
DVGW  
COLD RINSE  
WATER SOFTNER  
DETERGENT DISPENSER  
DRAIN PUMP

---

## Spare parts manual

---





## 1. Spare parts

General body parts.....	7
Lockup system .....	9
Electric control components.....	11
Electric control ELECTRO.....	13
Solenoid valve group .....	15
Solenoid valve group .....	17
Break Tank .....	19
Break Tank .....	21
Booster pump.....	23
DVGW .....	25
Water softner group.....	27
Rinse aid dispenser group.....	29
Rinse aid dispenser group.....	31
Boiler group .....	33
3 ways connection .....	35
Wash pump .....	37

---

<b>Dosing detergent group.....</b>	<b>39</b>
<b>Dosing detergent group.....</b>	<b>41</b>
<b>Drain pump group.....</b>	<b>43</b>
<b>Pressure switch group with air trap ...</b>	<b>45</b>
<b>Turret group with rotating arms .....</b>	<b>47</b>

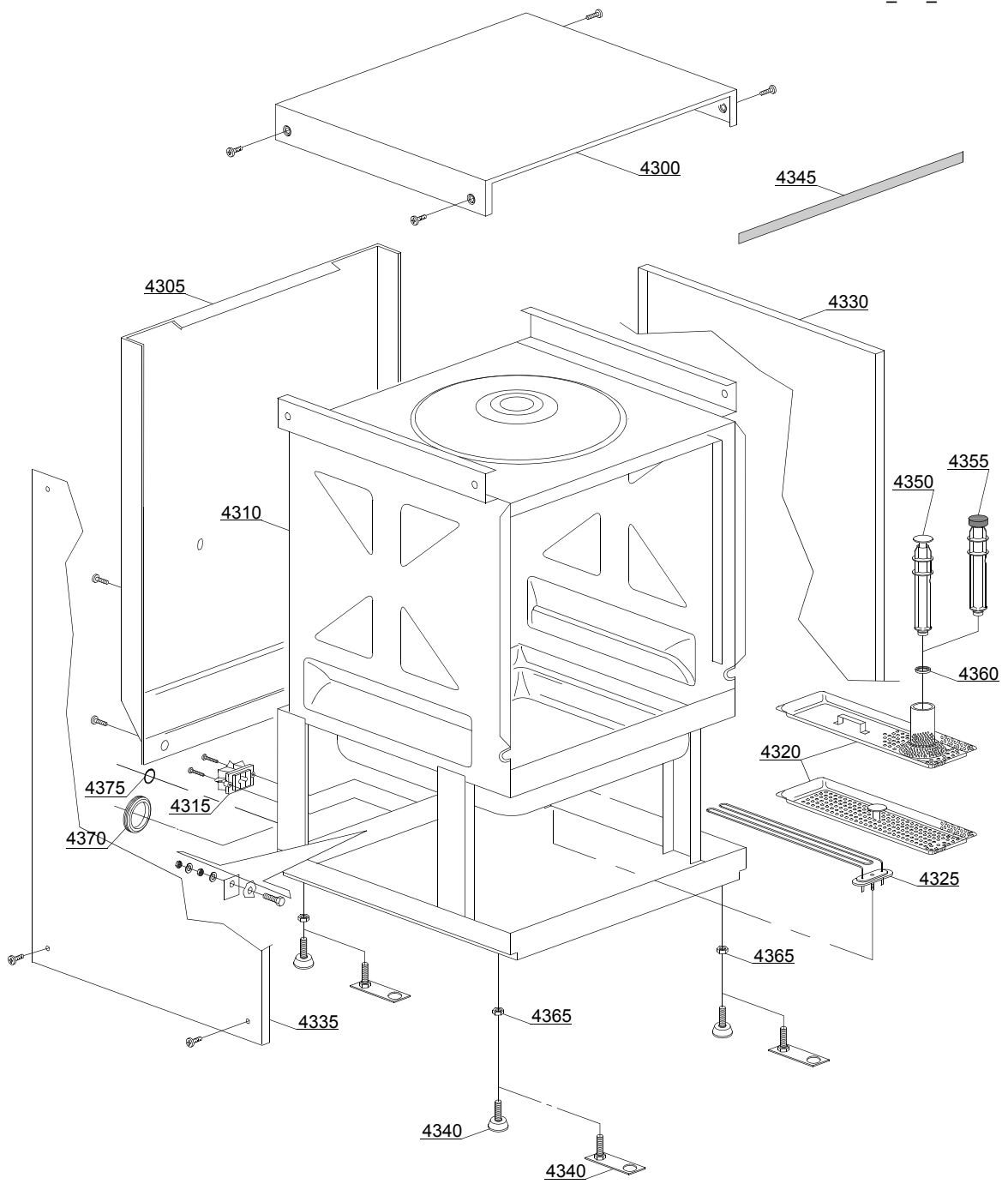
## 1.1 Voltage codes

Voltage code	Voltage
A	3/N/PE~400/230V 50Hz
B	~250V 16A 50Hz
C	3/N/PE~380/220V 50Hz
D	3/PE~200V 50-60Hz
F	2/PE 220-240V 50Hz
G	3/N/PE~415/240V 50Hz
H	3/PE~230V 50Hz
I	3/PE~220V 60Hz
J	3/PE~380 50Hz
K	3/PE~400V 50Hz
L	3/PE~415V 50Hz
M	3/PE~440V 60Hz
N	3/PE~460V 60Hz
O	3/PE~480V 60Hz
P	1/N/PE~220-240V 50Hz
R	2/PE~220-230V 60Hz
S	3/N/PE~400/230V 50Hz
T	3/PE~230V 60Hz

## 1.2 Product codes

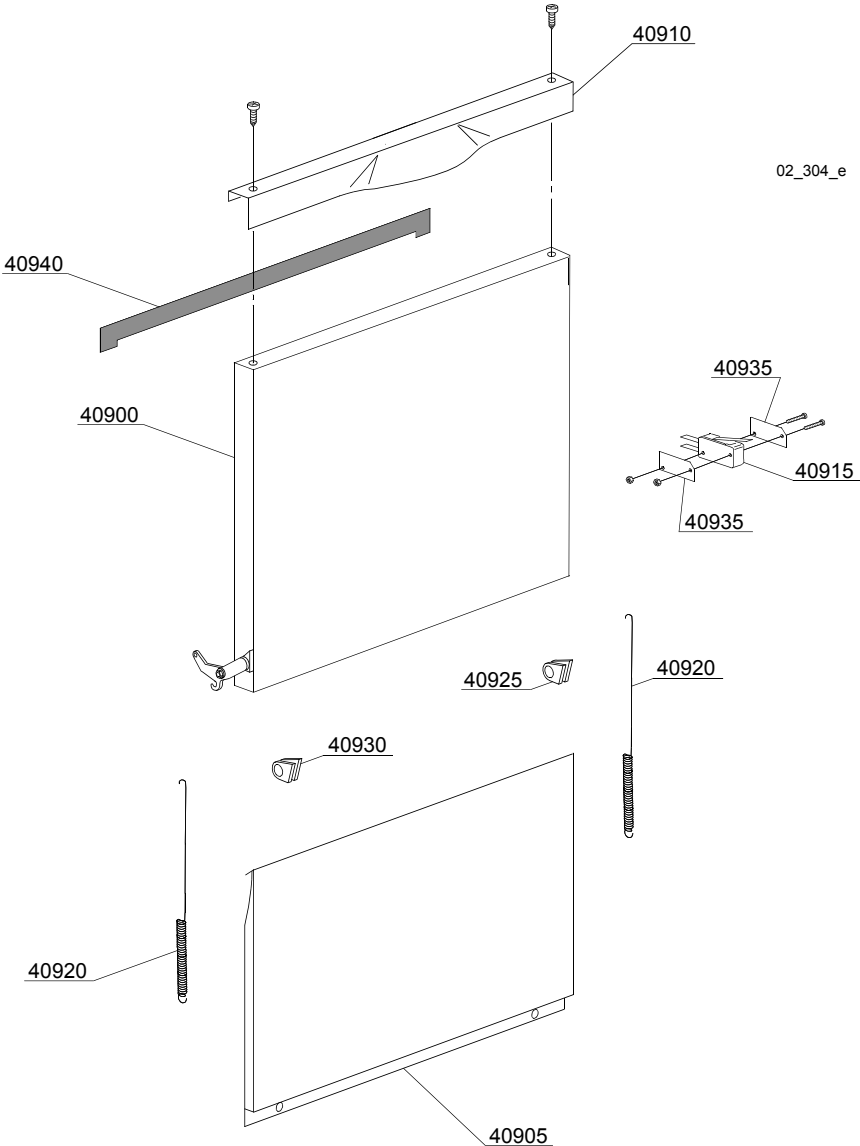
Product code	Full name
Model codes	
ec	ELECTRONICAL SWITCHES
ls	LOWER AND UPPER WASHING
Type codes	
29ELK	29ELK
Accessory codes	
bt	BREAK TANK
pap	BOOSTER PUMP
dvgw	DVGW
fs	COLD RINSE
d	WATER SOFTNER
dde	DETERGENT DISPENSER
ps	DRAIN PUMP

01\_002\_e



## Spare parts

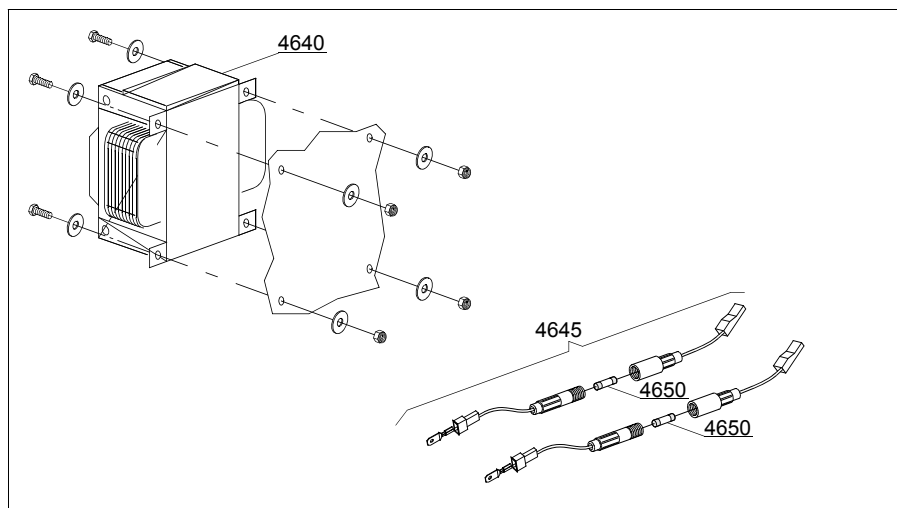
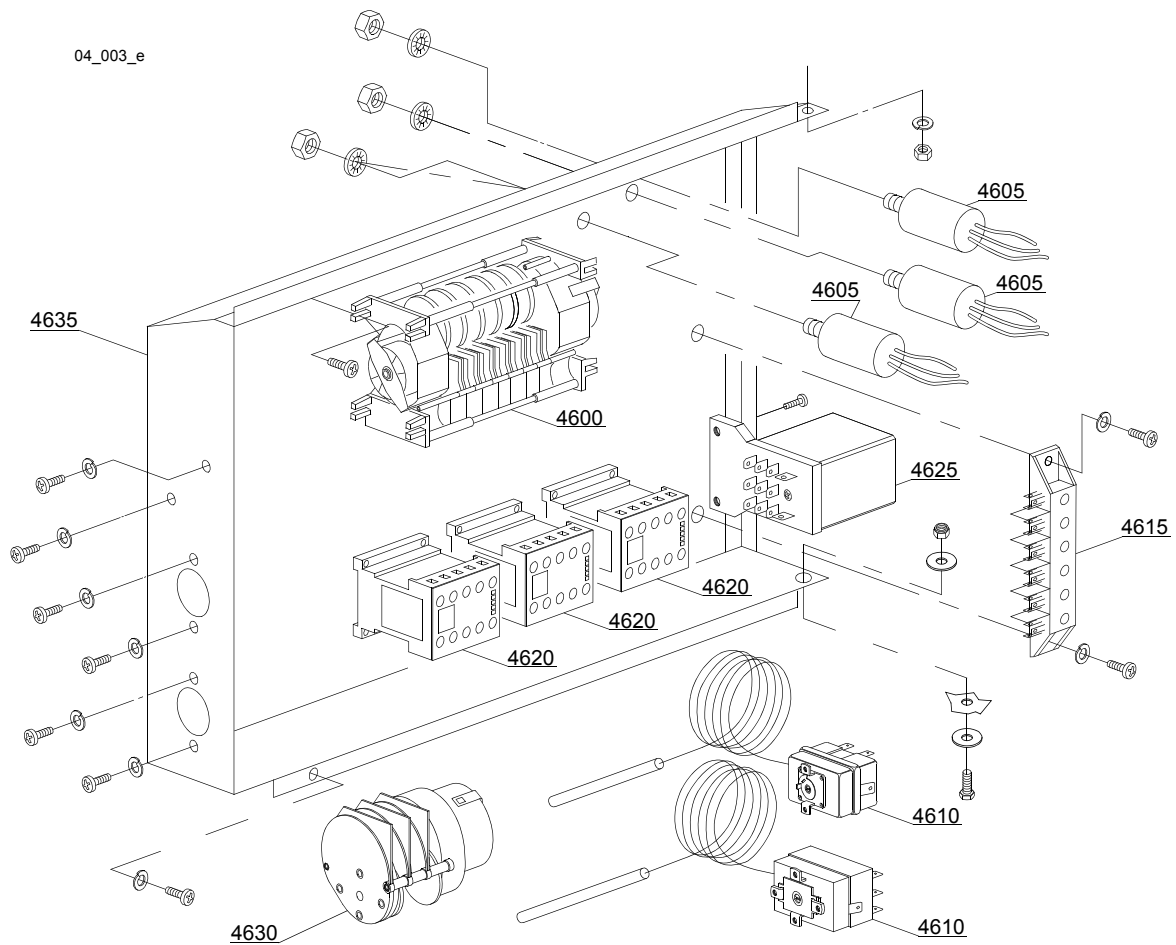
ID	P-code	Model	Type	Accessory	Voltage	Description
MODULE:General body parts						
4305	560919		29ELK			Back panel
4305	560938		29ELK	bt		Back panel
4310	560900		29ELK			Body
4310	560928		29ELK	ws		Body
4315	15065/A		29ELK			Cable-fastener with screw
4320	560925		29ELK			Surface filter
4325	150047		29ELK			2,7/2,94KW 230/240V heating element
4330	560914		29ELK			Right side
4335	560915		29ELK			Left side
4340	10786		29ELK			M10x25 Ø40 black foot
4340	15176		29ELK			M10 marina foot
4345	560021		29ELK			Profile for door O-ring
4350	500619		29ELK			Overflow pipe
4355	560020		29ELK	dp		Overflow pipe
4360	13021		29ELK			DEM 40 O-ring
4365	11711		29ELK			M10 zinc plated nut
4370	13317		29ELK			Ø40mm lead through rubber
4375	13323		29ELK			Ø13mm lead through rubber





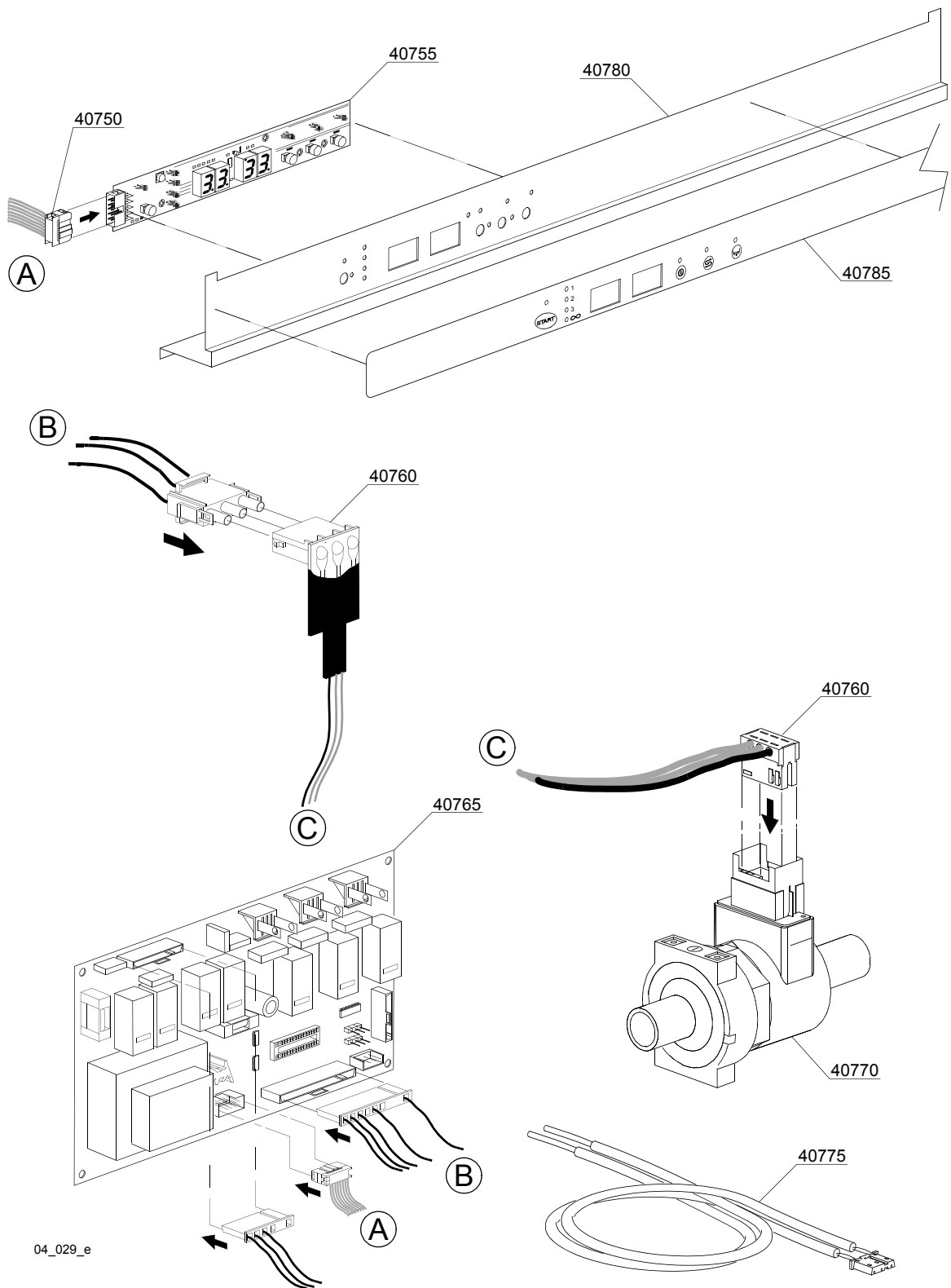
## Spare parts

ID	P-code	Model	Type	Accessory	Voltage	Description
MODULE:Lockup system						
40900	560963		29ELK			ELEKTRON 500 Door with steel handle
40905	560920		29ELK			ELEKTRON 500 Lower door
40910	560959		29ELK			Stainless steel handle
40915	10704		29ELK			Door microswitch
40920	560003		29ELK			Door spring
40925	560006		29ELK			Right lock for door hinge
40930	560007		29ELK			Left lock for door hinge
40935	10770		29ELK			Insulation for door microswitch
40940	560021		29ELK			ELK 500 Profile for door O-ring



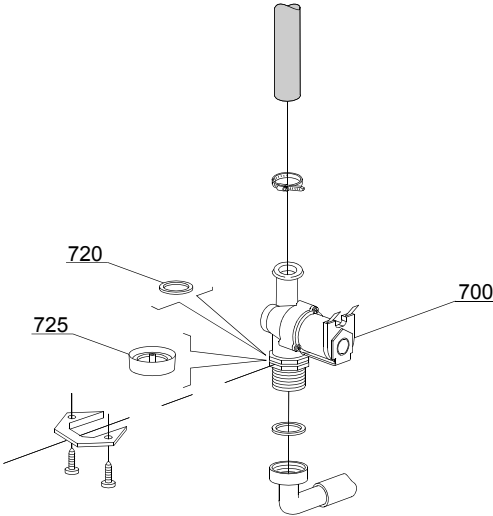
## Spare parts

ID	P-code	Model	Type	Accessory	Voltage	Description
MODULE:Electric control components						
4600	10300123		29ELK		A	90/180""timer
4600	30001027		29ELK		A	120/180"timer
4600	30001028		29ELK			120/180""timer - 60Hz
4600	22011/A		29ELK		A	120/240"timer
4600	30001031		29ELK		A	120/180" timer with thermostop
4600	30001032		29ELK			120/180"- 60Hz timer with thermostop
4600	30001030		29ELK			120/240"timer with thermostop
4605	15146		29ELK			Low noise filter
4605	15149		29ELK			Low noise filter
4605	15187		29ELK			Low noise filter
4610	10707/1		29ELK			0-90°C thermostat
4615	500551		29ELK			6 poles terminal board
4620	15086		29ELK			Contactora 230V 50/60Hz 4C
4620	15086/B		29ELK			Contactora 240V 50Hz
4620	15086/T		29ELK			200Vac3N 50/60HZ contactora
4625	16037/D		29ELK	ws		16A bipolar relay
4625	15620		29ELK	ws		16A bipolar relay
4630	16064/A		29ELK	ws		Regeneration timer
4635	560921		29ELK			Electric components panel
4640	15381		29ELK			160Va transformer
4645	15147		29ELK			Fuse-holder
4650	15163		29ELK			Fuse



## Spare parts

ID	P-code	Model	Type	Accessory	Voltage	Description
MODULE:Electric control ELEKTRO						
40750	50582		29ELK			"Elite"plug
40755	50581		29ELK			Touche sensitive "Elite"
40760	50584		29ELK			"Elite"water flow board
40765	50580		29ELK			"Elite"electronic timer+main board
40770	50583		29ELK			Water flow meter for ""Elite""board
40775	50562		29ELK			Temperature probe set
40780	560964		29ELK			ELEKTRON 500 Control Panel
40785	560042		29ELK			Silkscreen processed grill

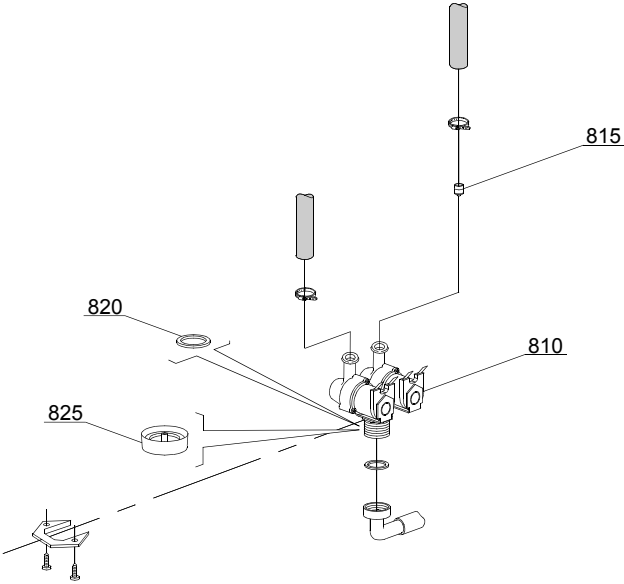


05\_002\_e

## Spare parts

---

ID	P-code	Model	Type	Accessory	Voltage	Description
MODULE: Solenoid valve group						
700	10703		29ELK			Single solenoid valve
720	N.C.		29ELK			Pression reducing valve



05\_003\_e

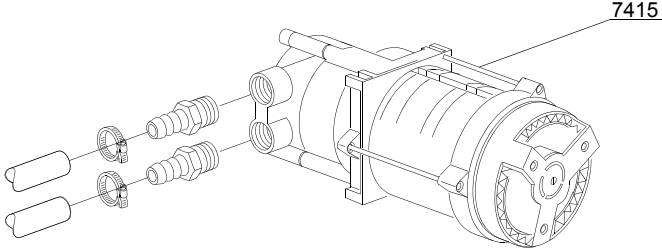
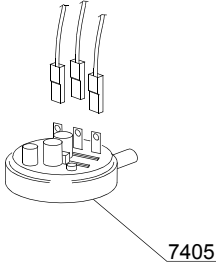
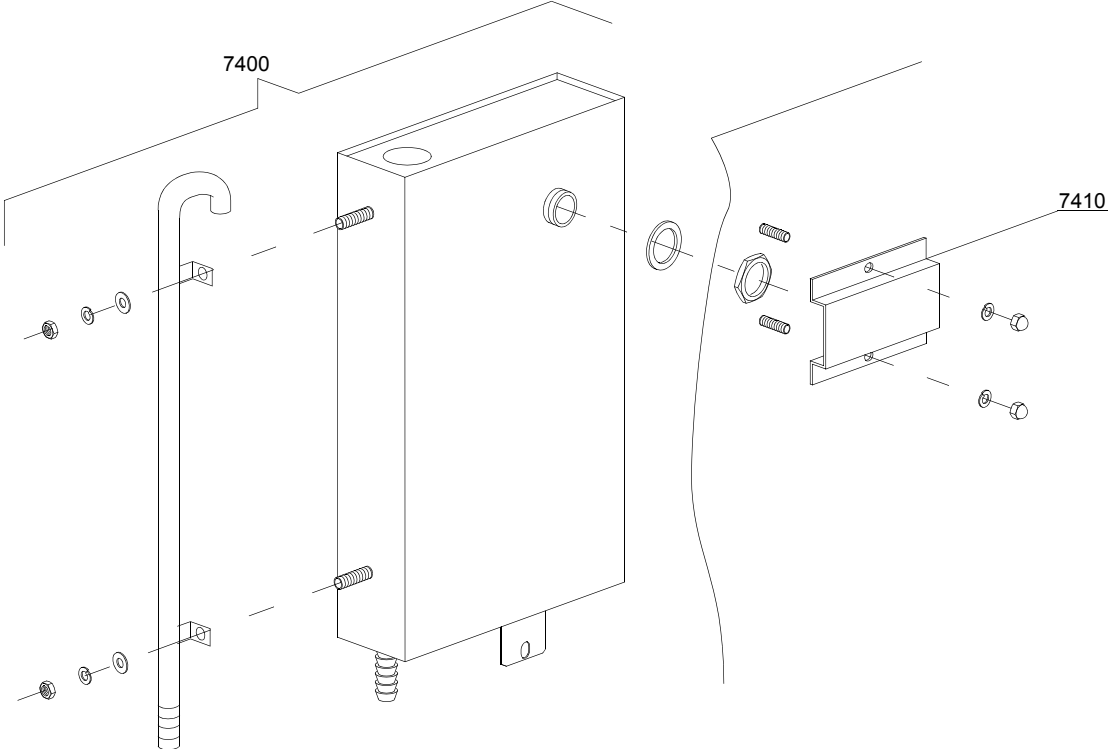


## Spare parts

---

ID	P-code	Model	Type	Accessory	Voltage	Description
MODULE: Solenoid valve group						
810	15098		29ELK	cr,ws		Double solenoid valve - Ø10
815	15115		29ELK	cr,ws		Green pression solenoid valve
820	N.C.		29ELK	cr,ws		Pression reducing valve

06\_002\_e

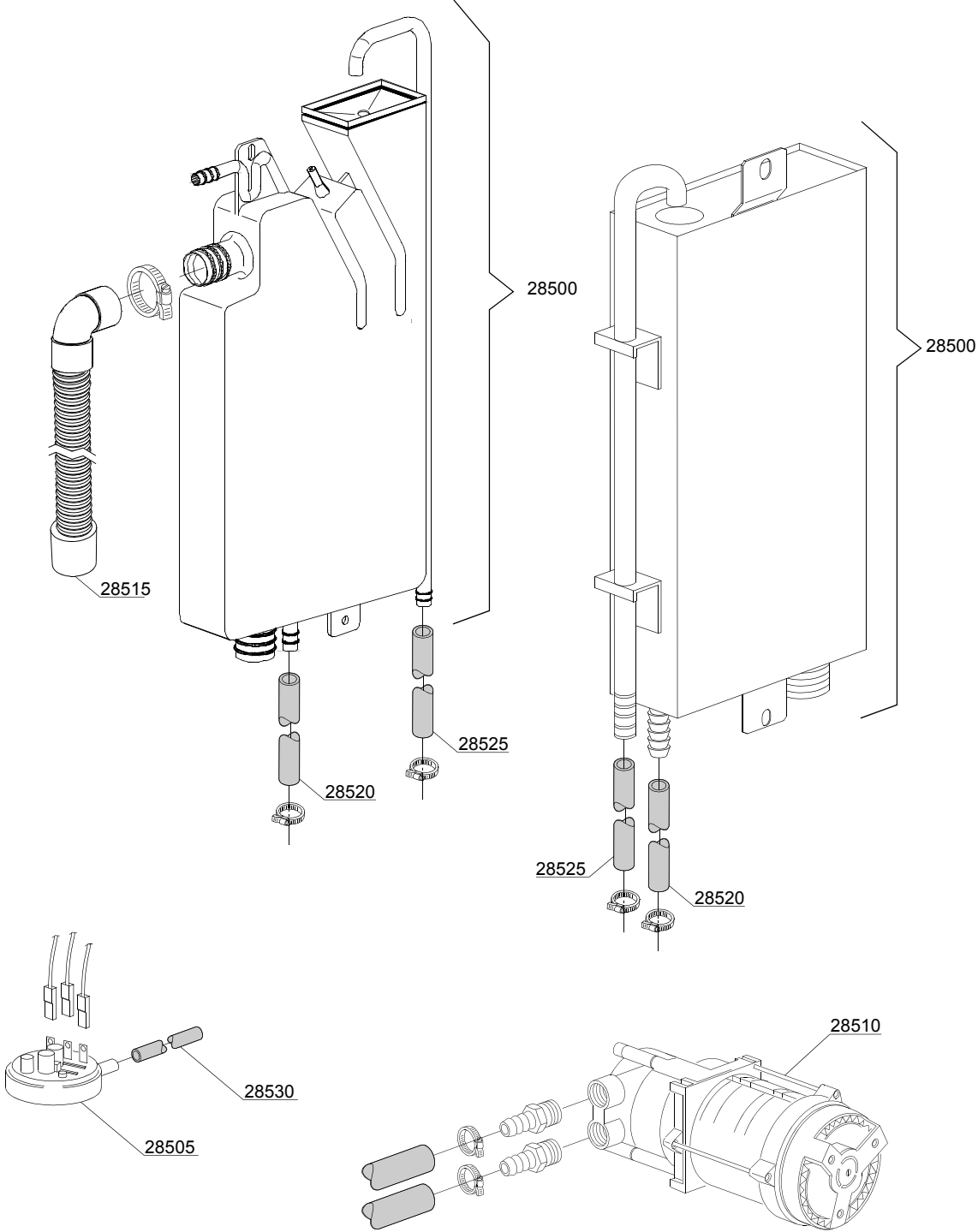


## Spare parts

---

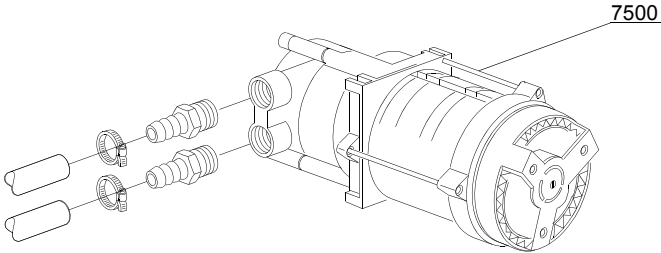
ID	P-code	Model	Type	Accessory	Voltage	Description
MODULE:Break Tank						
7400	15735		29ELK	bt		Break tank assembly
7405	10706/A		29ELK	bt		47-27 pressure switch
7410	15738		29ELK	bt		Overflow cover
7415	15100/D		29ELK	bt		Booster pump 220-240/50

06\_004\_e



## Spare parts

ID	P-code	Model	Type	Accessory	Voltage	Description
MODULE:Break Tank						
28500	15735		29ELK	bt		Break tank assembly
28505	10706/A		29ELK	bt		47-27 pressure switch
28510	15100/D		29ELK	bt		Booster pump 220-240/50
28515	15721		29ELK	bt		BT long pipe L=1070
28515	15722		29ELK	bt		BT middle pipe L=920
28515	15723		29ELK	bt		BT small pipe L=920
28520	2907350		29ELK	bt		12x20 EPDM rubber hose
28525	2907352		29ELK	bt		PVC WRAS rubber hose

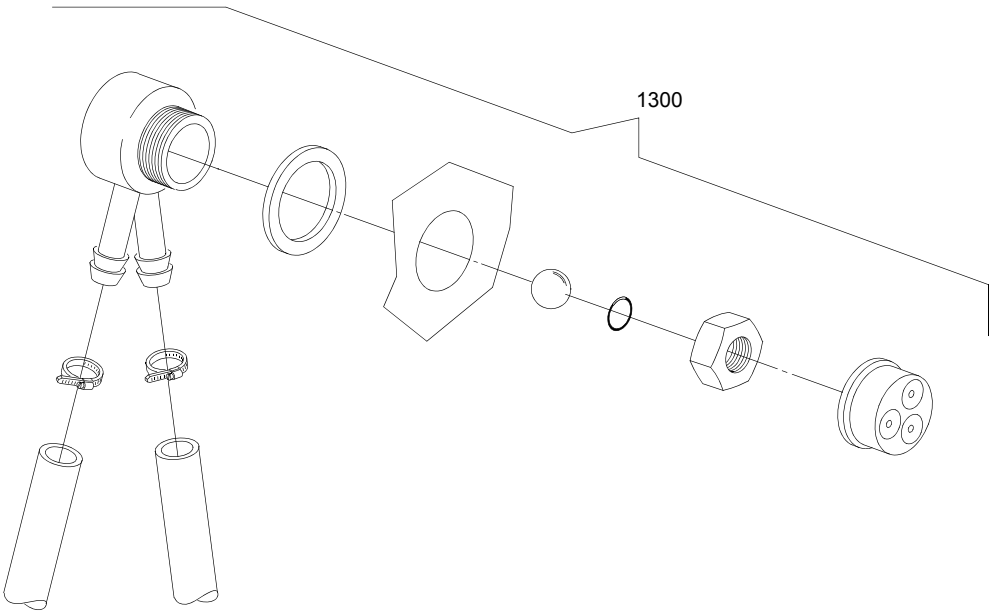


07\_003\_e

## Spare parts

---

ID	P-code	Model	Type	Accessory	Voltage	Description
MODULE:Booster pump						
7500	15100/D	sd,i	29ELK	bp		Booster pump 220-240/50



08\_005\_e

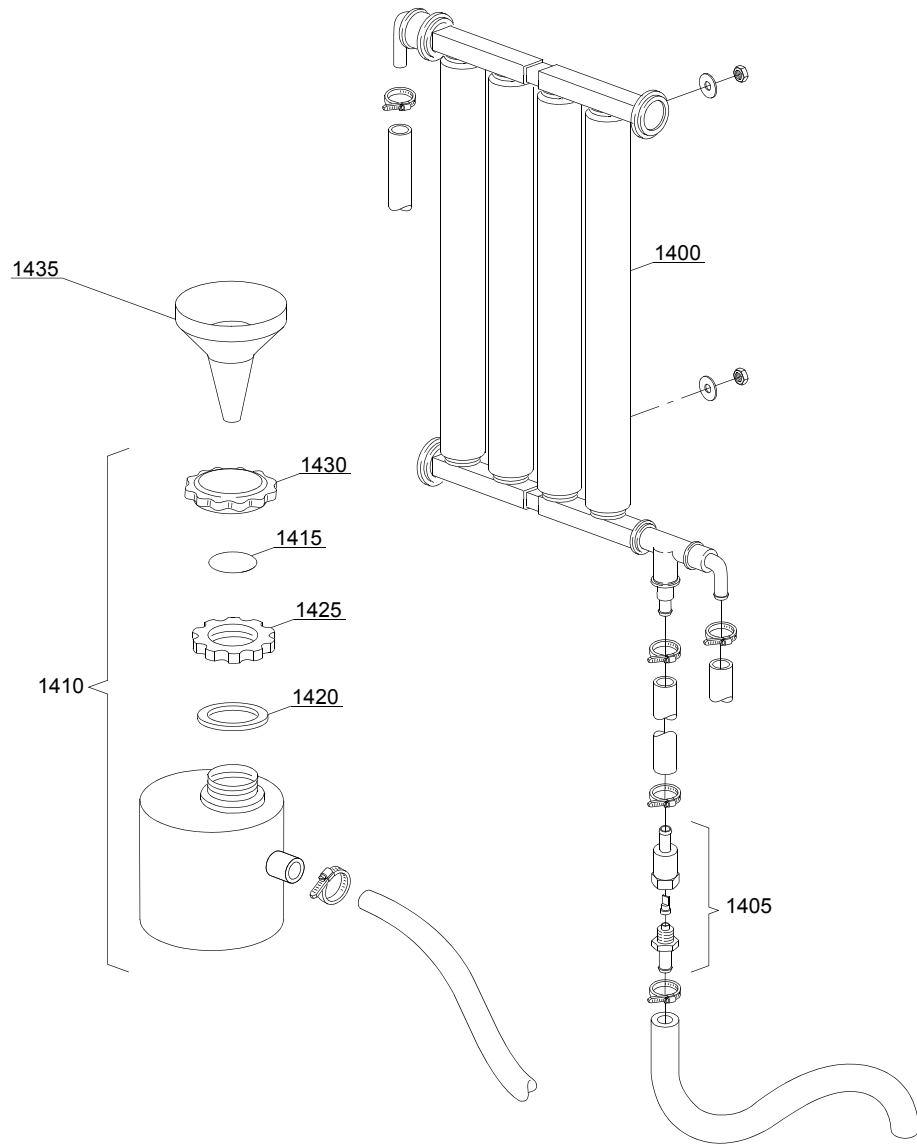


**Spare parts**

---

ID	P-code	Model	Type	Accessory	Voltage	Description
MODULE:DVGW						
1300	999900006		29ELK	dvgw		DVGW assembly

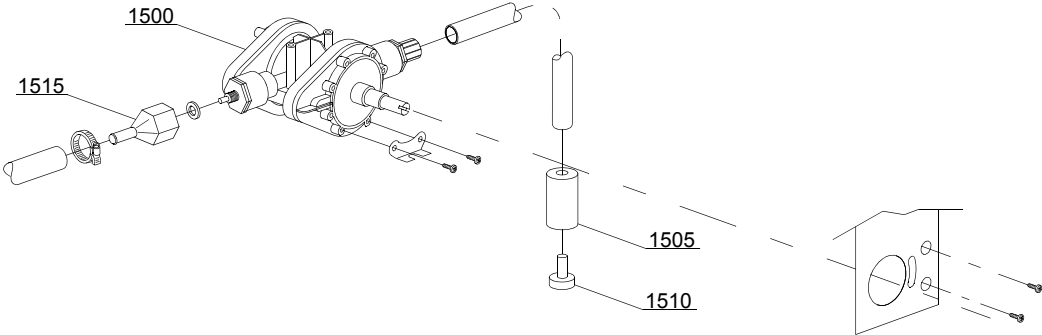
09\_001\_e



## Spare parts

ID	P-code	Model	Type	Accessory	Voltage	Description
MODULE:Water softner group						
1400	16066		29ELK	ws		4 elements water softner
1405	16070		29ELK	ws		Nonreturn valve
1410	16065		29ELK	ws		Salt container
1415	16067/A		29ELK	ws		OR O-ring
1420	16067/B		29ELK	ws		O-ring
1425	16067/C		29ELK	ws		Ring nut
1430	16067/D		29ELK	ws		Plug
1435	16082		29ELK	ws		Funnel

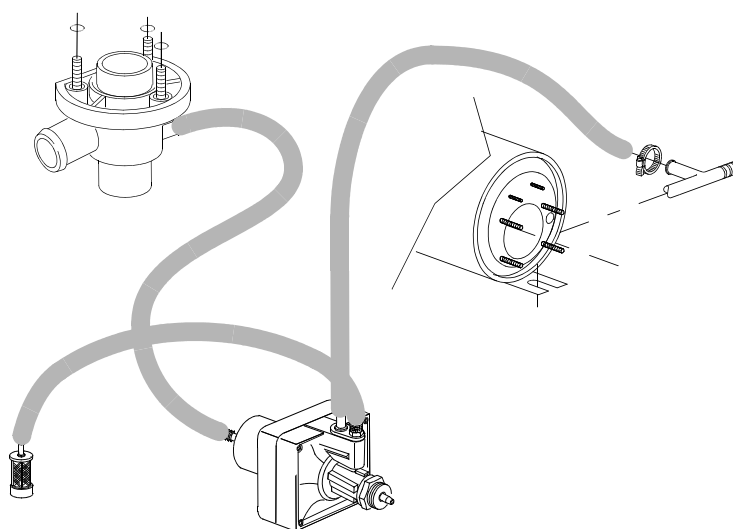
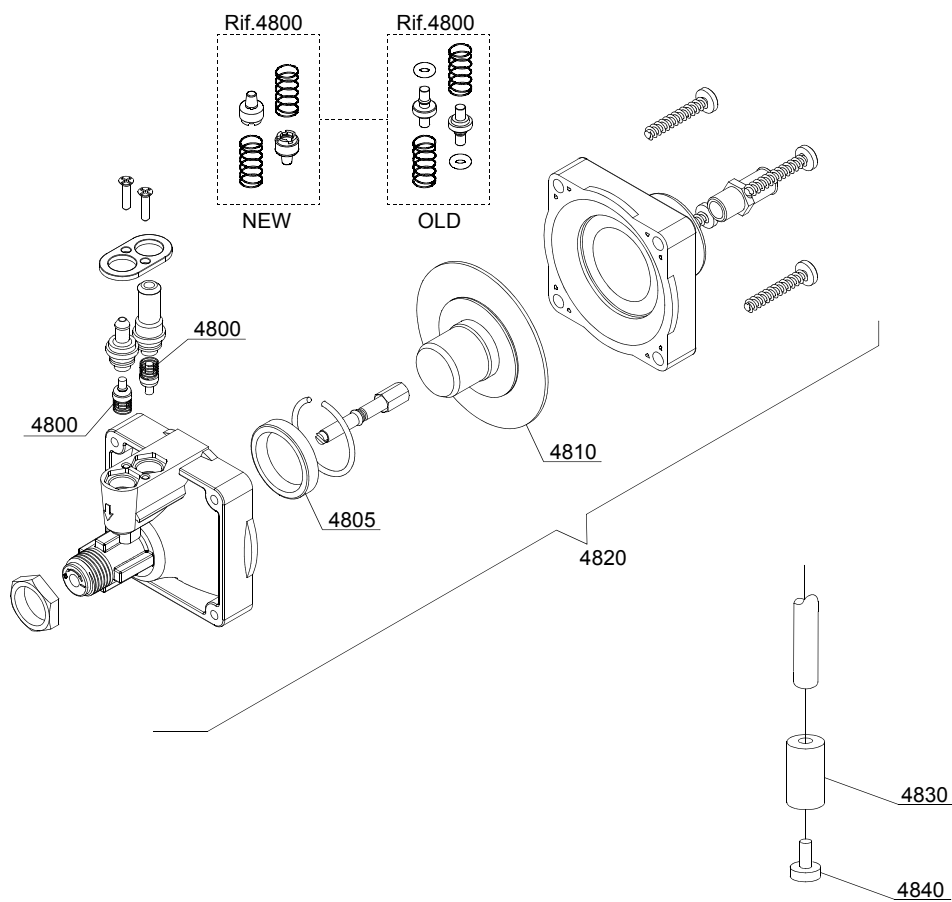
10\_002\_e



## Spare parts

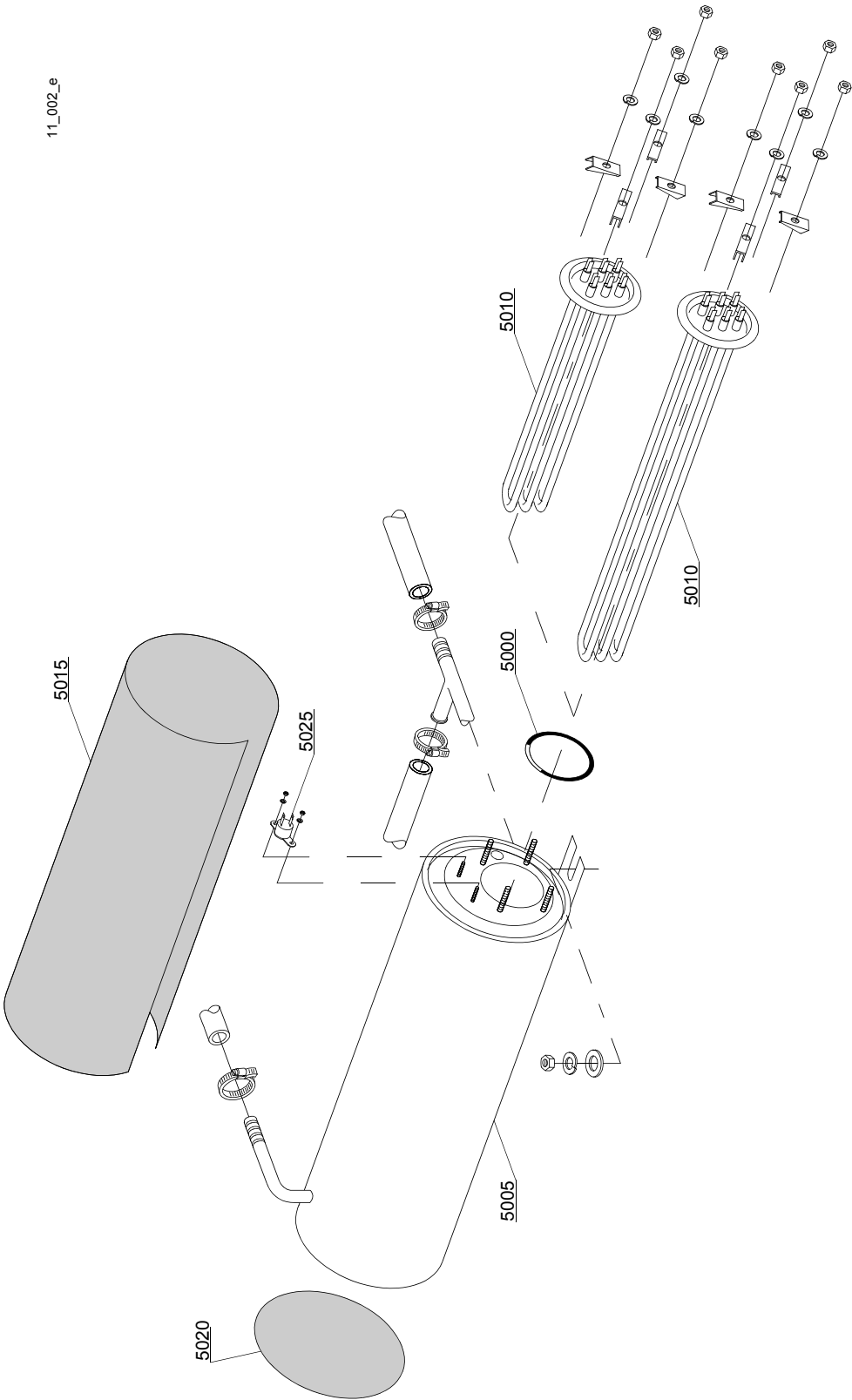
---

ID	P-code	Model	Type	Accessory	Voltage	Description
MODULE: Rinse aid dispenser group						
1500	10798		29ELK			Rinse aid dispenser
1505	12525		29ELK			Counter-weight
1510	15058		29ELK			Small filter
1515	10798/B		29ELK			Brass pipe fitting



10\_004\_e

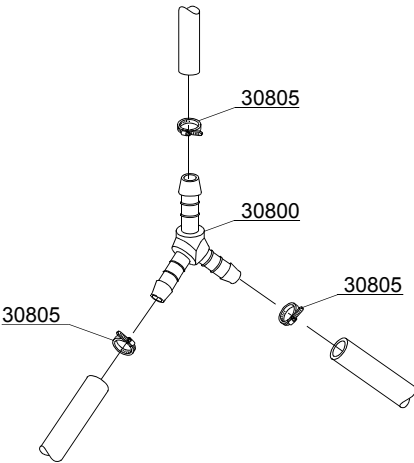
ID	P-code	Model	Type	Accessory	Voltage	Description
MODULE: Rinse aid dispenser group						
4800	10805		29ELK			Tecnopro non return valve
4805	10806		29ELK			Ø22 O-ring
4810	10807		29ELK			Membrane
4820	10799		29ELK			Rinse aid dispenser
4830	12525		29ELK			Counter-weight
4840	15058		29ELK			Small filter





## Spare parts

ID	P-code	Model	Type	Accessory	Voltage	Description
MODULE:Boiler group						
5000	13005		29ELK			OR 151 NBR O-ring
5005	150905		29ELK			Boiler
5005	150917		29ELK			AISI 314 boiler
5010	15089		29ELK			4,5/4,9KW 230/240/3 heating element
5010	15089/B		29ELK			4,5KW heating element - 254/440Vac
5010	15089/E		29ELK			6/6,53KW - 230/240/3 heating element
5010	15046		29ELK			3/3,27KW 230/240/3 heating element
5015	15066		29ELK			Insulation boiler
5020	15205		29ELK			Ø160 end piece
5025	15550		29ELK			Safety thermostat

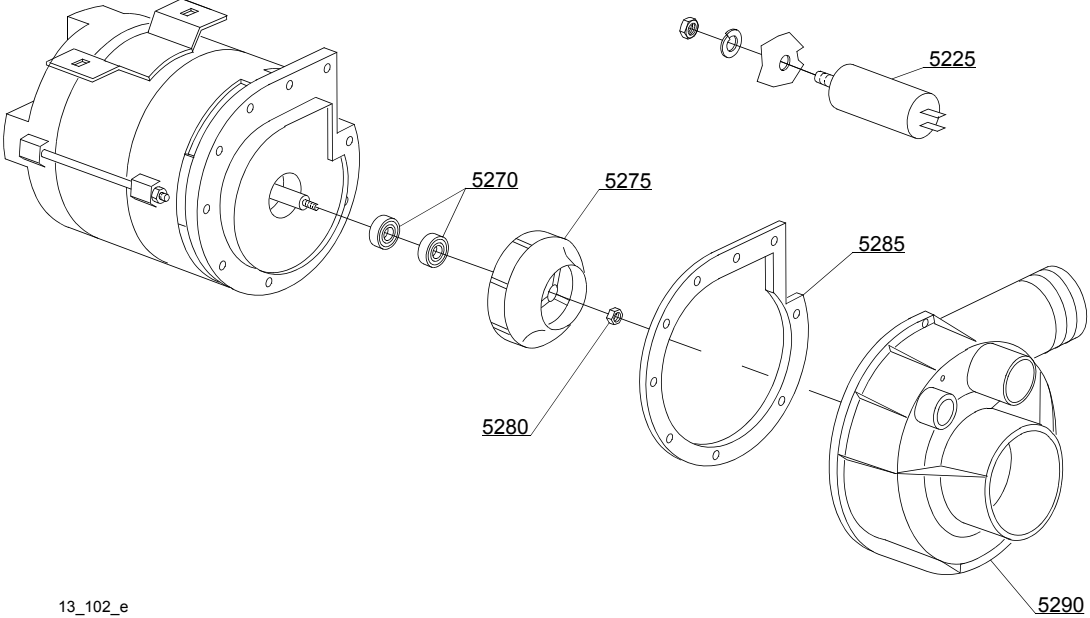
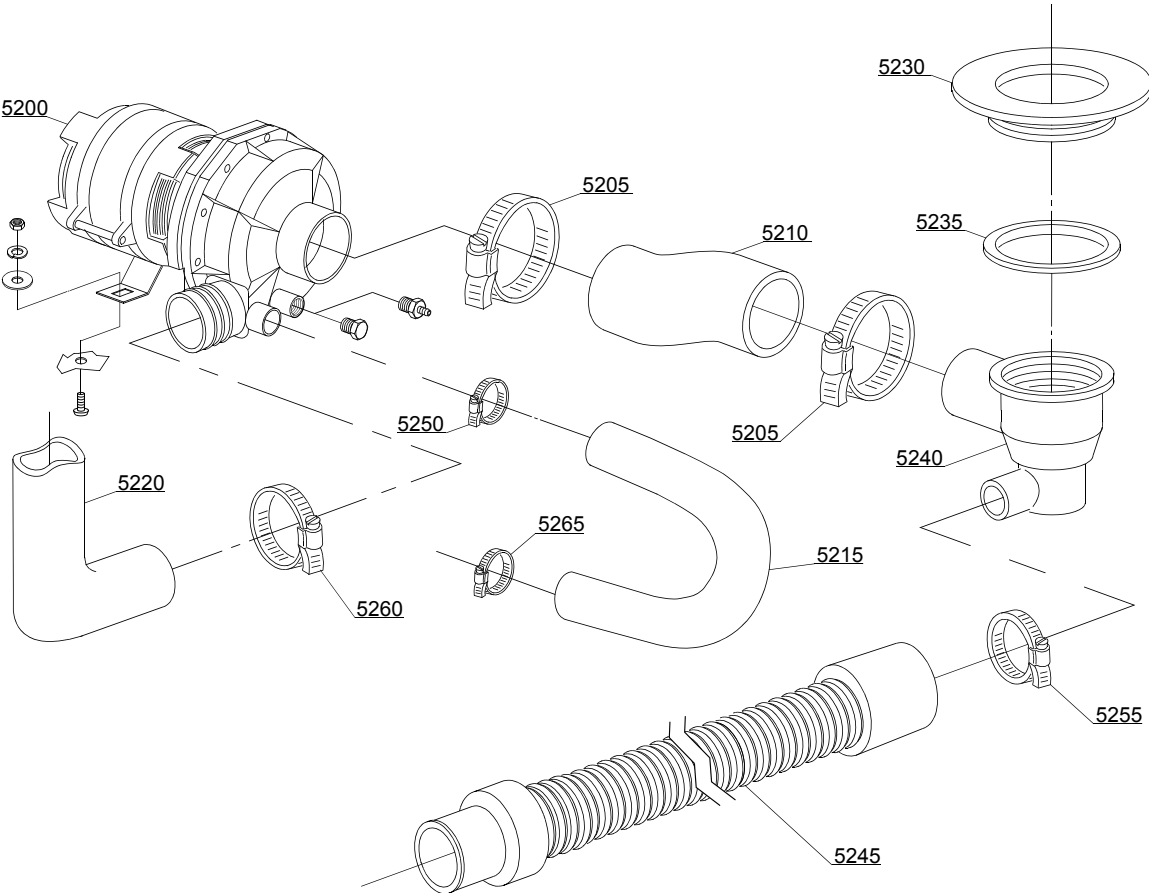


12\_003ae

## Spare parts

---

ID	P-code	Model	Type	Accessory	Voltage	Description
MODULE:3 ways connection						
30800	540091		29ELK			Ø12 mm plastic 3 ways connection
30805	11807		29ELK			12/22 clamp

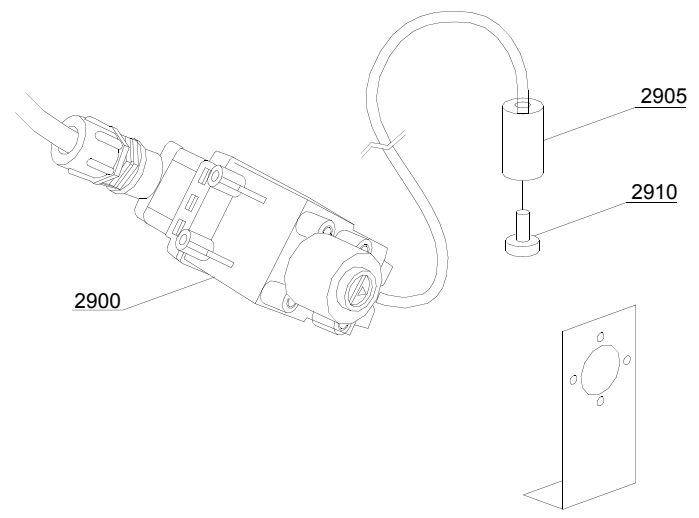
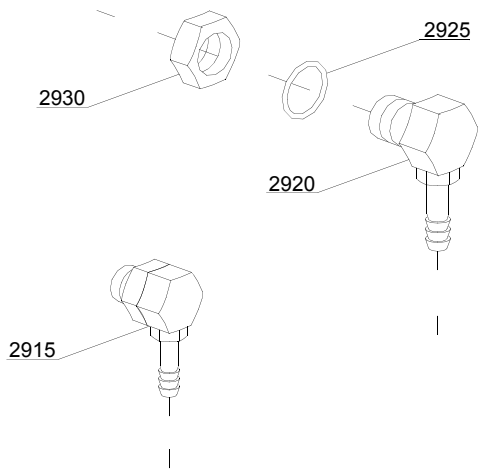


13\_102\_e

## Spare parts

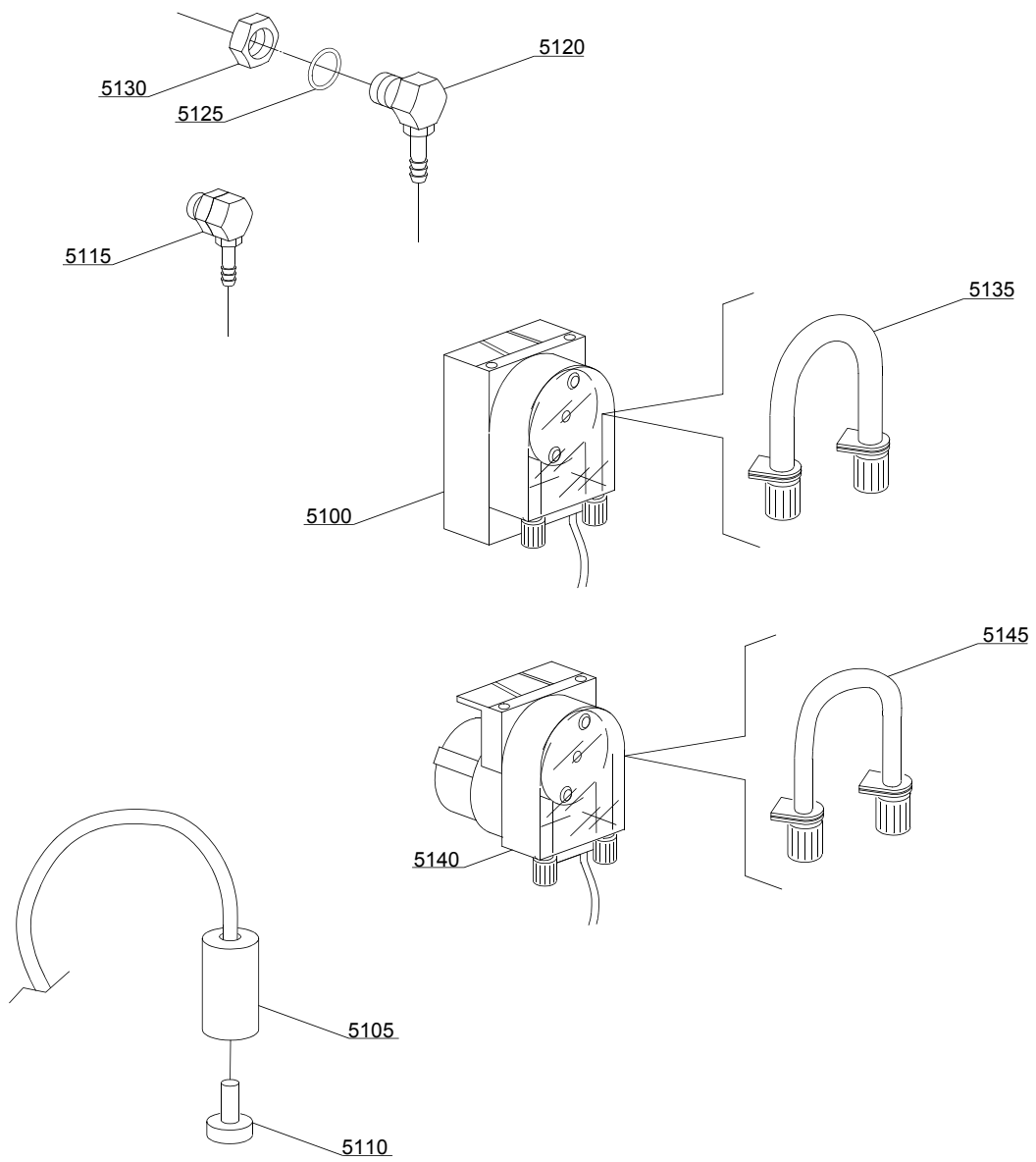
ID	P-code	Model	Type	Accessory	Voltage	Description
MODULE:Wash pump						
5200	15908/A		29ELK		A	0,75Hp wash pump
5200	15908/M		29ELK		I	0,75Hp - 60Hz wash pump
5200	15908/O		29ELK			0,75Hp - 200Vac 50Hz wash pump
5200	15908/D		29ELK			1Hp - 200Vac 50Hz wash pump
5200	15908/E		29ELK		A	0,75Hp wash pump - 440V
5205	11824		29ELK			50/70 clamp
5210	25032		29ELK			Suction pipe coupling
5215	560014		29ELK			Pump/lower wash turret delivery pipe
5220	560008		29ELK			Top delivery pipe
5225	15081		29ELK			12,5 uF condenser
5230	500601		29ELK			Ring nut
5235	80208		29ELK			95x75x3 O-ring
5240	500606		29ELK			Right side scrap tray
5245	10727		29ELK			Drain pipe
5250	11806		29ELK			25/40 clamp
5255	11807		29ELK			12/22 clamp
5260	11810		29ELK			40/60 clamp
5265	11809		29ELK			30/45 clamp
5270	15080/C		29ELK			Rotating seals
5270	15080		29ELK			Rotating seals (1HP)
5275	15079/B		29ELK			Pump rotor
5275	15912		29ELK			Pump rotor (1HP)
5280	11724		29ELK			M6 stainless steel nut
5285	15079/D		29ELK			O-ring
5290	15031/E		29ELK			Scroll

14\_002\_e



## Spare parts

ID	P-code	Model	Type	Accessory	Voltage	Description
MODULE:Dosing detergent group						
2900	15108/L		29ELK	dd		Lang detergent pump
2905	12525		29ELK	dd		Counter-weight
2910	15058		29ELK	dd		Small filter
2915	15123		29ELK	dd		Compleat plastic injector
2920	15148		29ELK	dd		Steel injector
2925	15159		29ELK	dd		OR O-ring
2930	10200205		29ELK	dd		M12x1 stainless steel nut



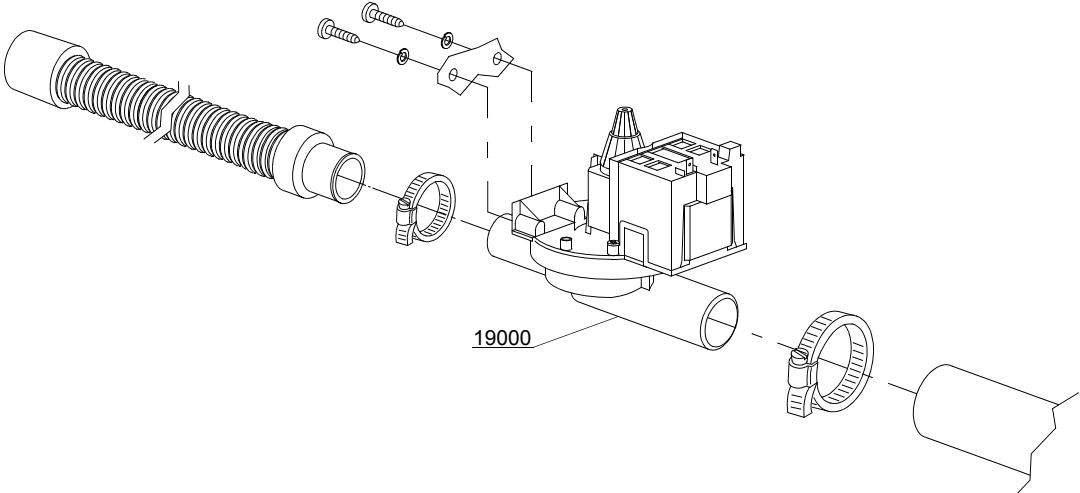
14\_004\_e



## Spare parts

ID	P-code	Model	Type	Accessory	Voltage	Description
MODULE:Dosing detergent group						
5100	15985		29ELK	dd		Seko detergent pump
5105	12525		29ELK	dd		Counter-weight
5110	15058		29ELK	dd		Small filter
5115	15123		29ELK	dd		Compleat plastic injector
5120	15148		29ELK	dd		Steel injector
5125	15159		29ELK	dd		OR O-ring
5130	10200205		29ELK	dd		M12x1 stainless steel nut
5135	15185		29ELK	dd		Seko thermoplastic pipe
5140	15985		29ELK	dd		Germac detergent pump
5145	15108/E		29ELK	dd		Germac thermoplastic pipe

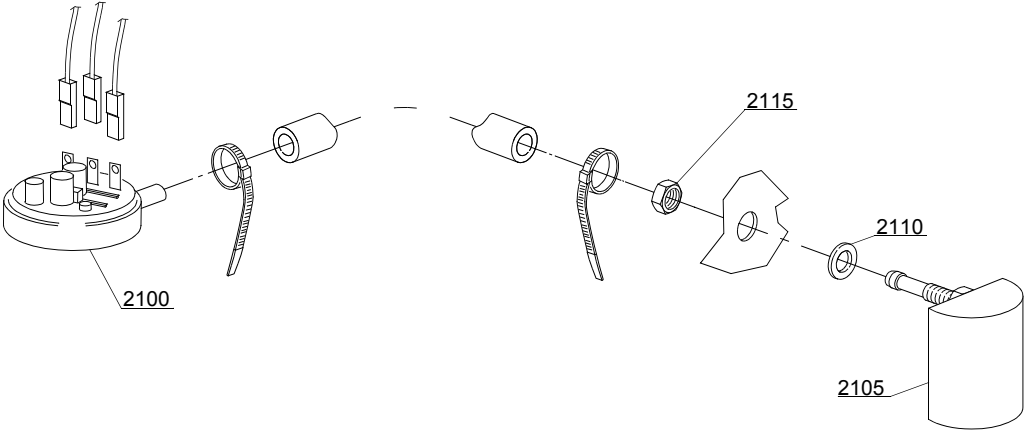
15\_002\_e



## Spare parts

---

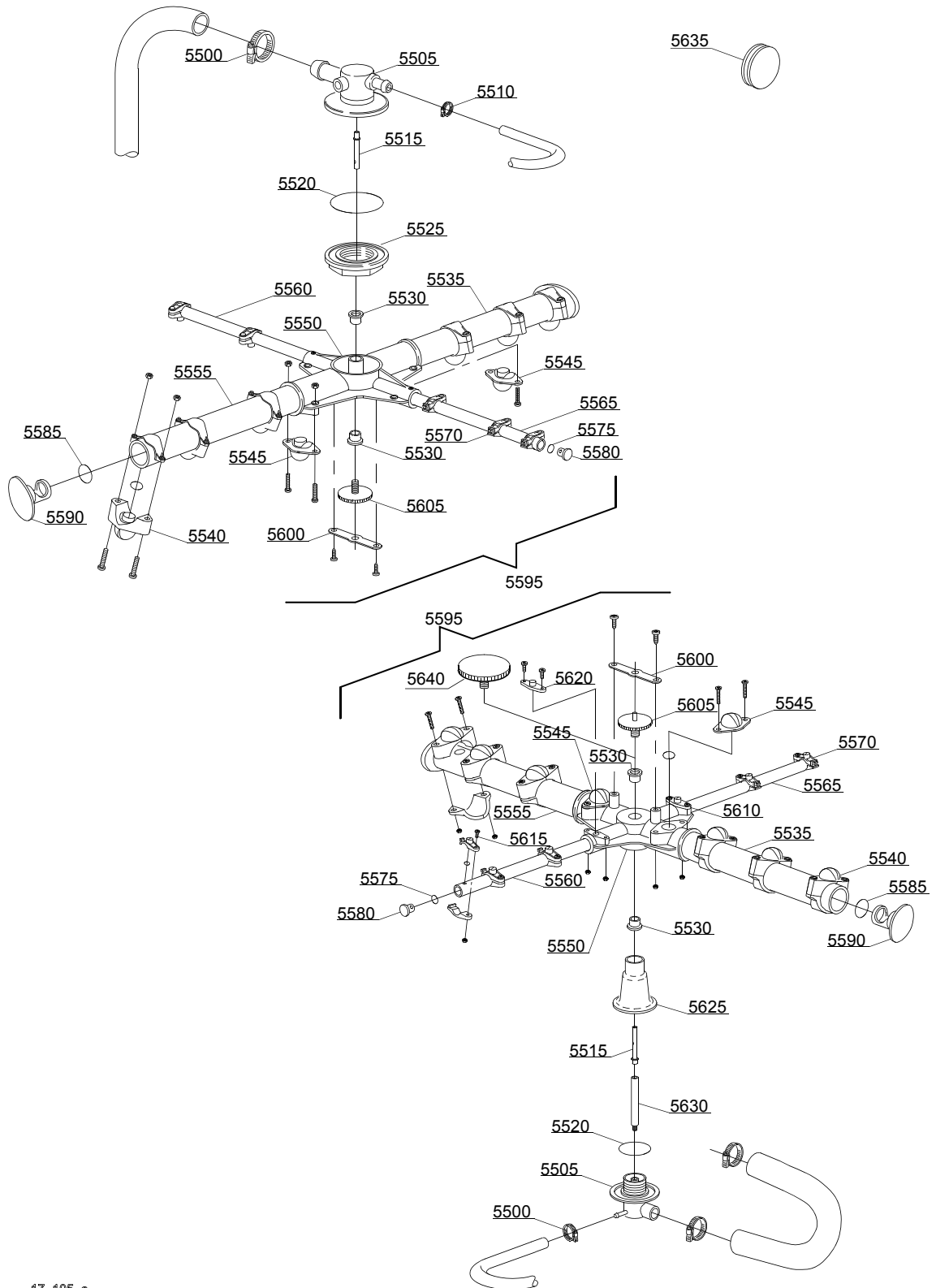
ID	P-code	Model	Type	Accessory	Voltage	Description
MODULE:Drain pump group						
19000	15101/A		29ELK	dp	A	Drain pump - 50Hz
19000	15101/B		29ELK	dp		Drain pump - 220/240V 60Hz



16\_001\_e

## Spare parts

ID	P-code	Model	Type	Accessory	Voltage	Description
MODULE:Pressure switch group with air trap						
2100	10706/A		29ELK			47-27 pressure switch
2105	10911/D		29ELK			Air trap assembly
2110	13301		29ELK			O-ring
2115	11702		29ELK			M8 stainless steel nut



17\_105\_e

## Spare parts

ID	P-code	Model	Type	Accessory	Voltage	Description
MODULE:Turret group with rotating arms						
5500	11806		29ELK			25/40 clamp
5505	500612		29ELK			Top/lower turret
5510	11807		29ELK			12/22 clamp
5515	15300		29ELK			Ø10x51 lower/top rinse axle
5520	13015		29ELK			6225 OR 160 NBR O-ring
5525	500610		29ELK			Ring nut for fixing turret
5530	13319		29ELK			Sliding washer
5535	15571		29ELK			Ø28 right wash pipe
5540	10211		29ELK			Ø28 raised nozzle
5545	10218		29ELK			Ø28 opened plane nozzle
5550	10209		29ELK			4 ways big rotor
5555	15572		29ELK			Ø28 left wash pipe
5560	15575		29ELK			Right rinse pipe
5565	15576		29ELK			Left rinse pipe
5570	12528		29ELK			Ø10 complet rinse nozzle
5575	13016		29ELK			2018 OR 103 NBR O-ring
5580	12532		29ELK			Ø10 plastic plug
5585	13018		29ELK			OR 2087 NBR O-ring
5590	10257		29ELK			Ø28 plastic plug
5595	15956		29ELK			Ø28 wash/rinse group
5600	10210		29ELK			Blocking ring nut rotor plaque
5605	11101/I		29ELK			Stainless steel group fixing screw
5610	10217		29ELK			Ø10 closed plane nozzle
5615	11004		29ELK			4x10 TCB Ø8 spax toothed screw
5620	10213		29ELK			Ø10 opened plane nozzle
5625	560004		29ELK			Lower pipe coupling
5630	560005		29ELK			Lower rinse axle
5635	13316/A		29ELK			DVGW hole O-ring