



## **Elektro-Nudelkocher/Dim Sum GN 1/1, beidseitige Bedienung**

Artikel-Nr.  
249010 (398085 / DE11VP)

---

### **Explosionszeichnung / Ersatzteile**

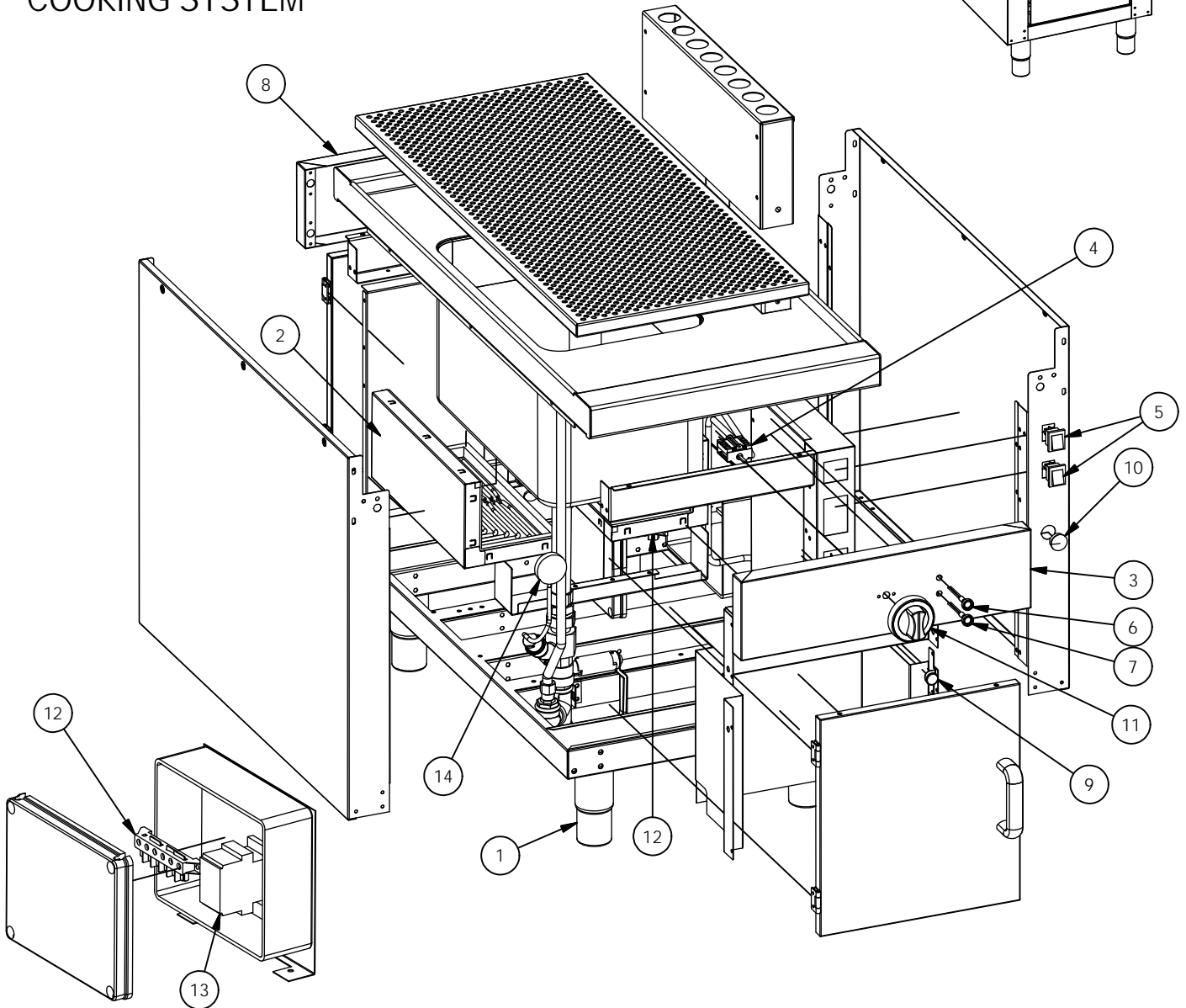
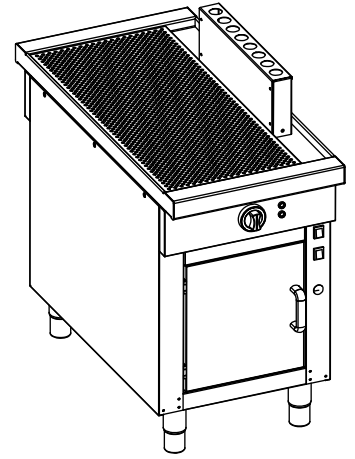
---

Bitte bei Ersatzteilbestellung immer Artikelnummer und  
Seriennummer mit angeben!

# TAVOLA / DRAWING 6222

Mod. DE11VP Cod. 398085  
 Allegato / Attachment: 6231

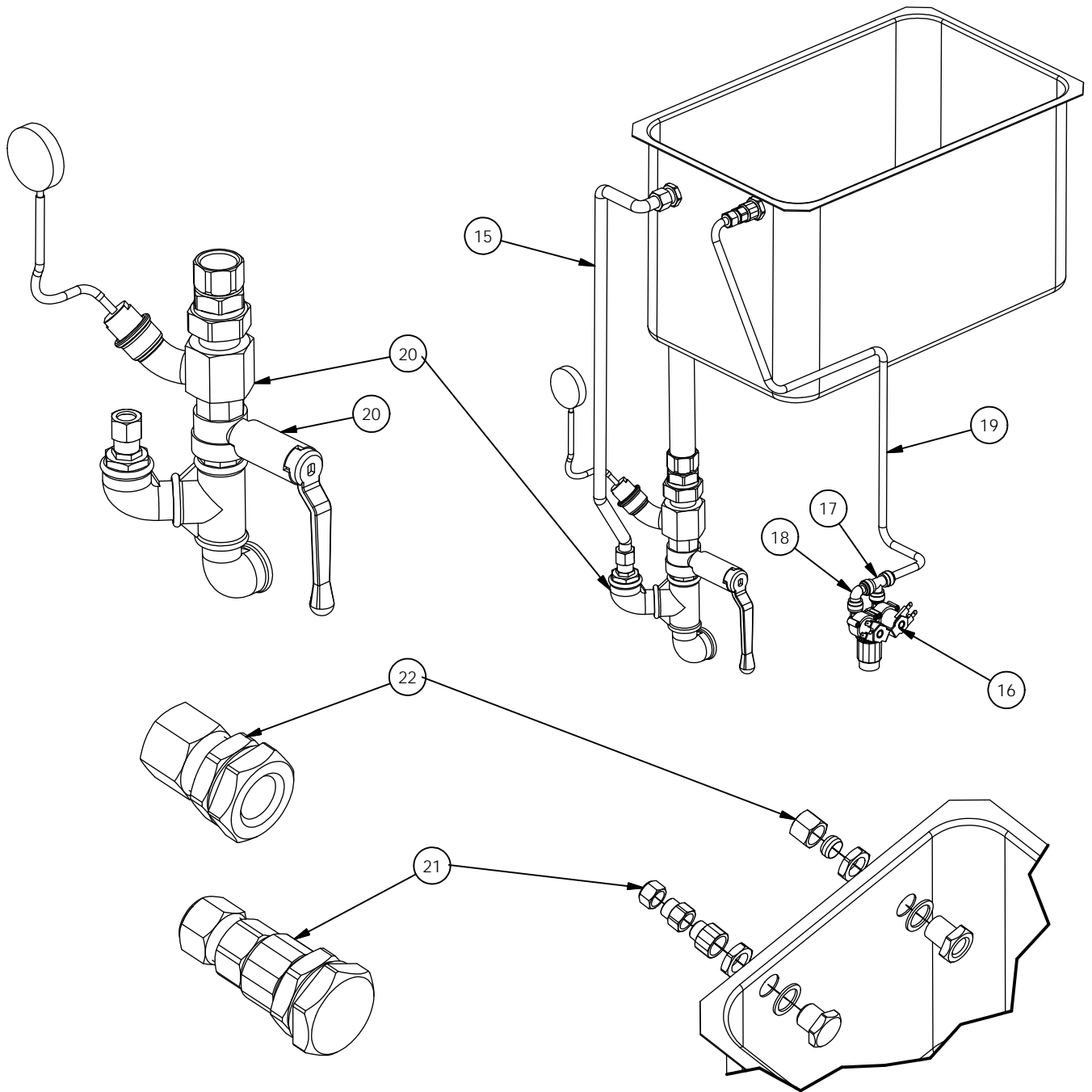
## VAPORIERA ELETTRICA BIFRONTE ELECTRIC TWO-SIDE STEAM COOKING SYSTEM



1	844380	PIEDE 2"INOX 145-200 EP1XBMBONNSV	2" STAINLESS STEEL FOOT
2	843865	RESISTENZA ANGOL.4500W 400V 100.656	HEATING ELEMENT 4500W
3	4107031	CRUSCOTTO COMANDI VAPORIERA ELE	CONTROLS FRONT PANEL 550 M
4	843747	COMMUTATORE 0-3 POSIZIONI.16 AMP.	MAIN SWITCH/COMMUTATOR
5	993533	INTERRUTTORE 4070	GREEN SWITCH WITH PROTECTION 230V
6	849411	SPIA VERDE V.220	GREEN WARNING LIGHT 220V
7	849415	SPIA LUMIN. ARANCIONE 230V DIAM. 10	ORANGE WARNING LIGHT 220V
8	4107023	CRUSC. NEUTRO DRAGONE 550	BACK PANEL 550
9	844706	MAGNETE X PORTE D.22X3 GAMBO M6X15	DOOR MAGNET
10	844299	TAPPO PLST CROM. CRUSC. WOK D.27	PLASTIC TAP
11	401450	MANOP. COMPL. PER 22S CUCINE DRAG.	KNOB FOR GAS TAP 22S "DRAGONE"
12	849517	MORSETTIERA 6 POLI FV122/6/40A	TERMINAL BOARD
13	835941	TELER/CONTATT. LOVATO BF25 10 A230	CONTACTOR
14	843783	PRESSOSTATO 1 LIVELLO TYPE 760	PRESSURE SWITCH

**TAVOLA / DRAWING 6231**

**GRUPPO ACQUA VAPORIERA ELETTRICA MOD. DE11VP; DE11VM  
WATER GROUP ELECTRIC STEAM COOKING SYSTEM MOD. DE11VP; DE11VM**



15	817055	TUBO PIEGH.316L DN16X700 9360-0700	FLEXIBLE PIPE DN16X700
16	992571	ELETTRORVALVOLA FORNO 2VIE R65110210	2 WAYS ELECTROMAGNETIC VALVE
17	992568	RACCORDO INTERMED.A"T"D.10 62090468	TEE DIAM.10
18	992570	RACC. A GOMITO 10X10 R62090528	ELBOW 10X10
19	816971	TUBO PIEGH.316L DN10X1000 7786-1000	FLEXIBLE PIPE DN10X1000
20	4000354	GRUPPO SCARICO ACQUA CP UNICO	OUTLET WATER GROUP
21	829751	PROLUNGA X MANIGLIA RUBIN.SCARICO	HANDLE EXTENSION
22	4000375	GRUPPO BOCCHETTA EROG.H2O VASCA VPR	BASIN WATER INLET GROUP
23	4000376	GRUPPO BOCCHETTA TROPPOP. VASCA VPR	BASIN OVERFLOW GROUP