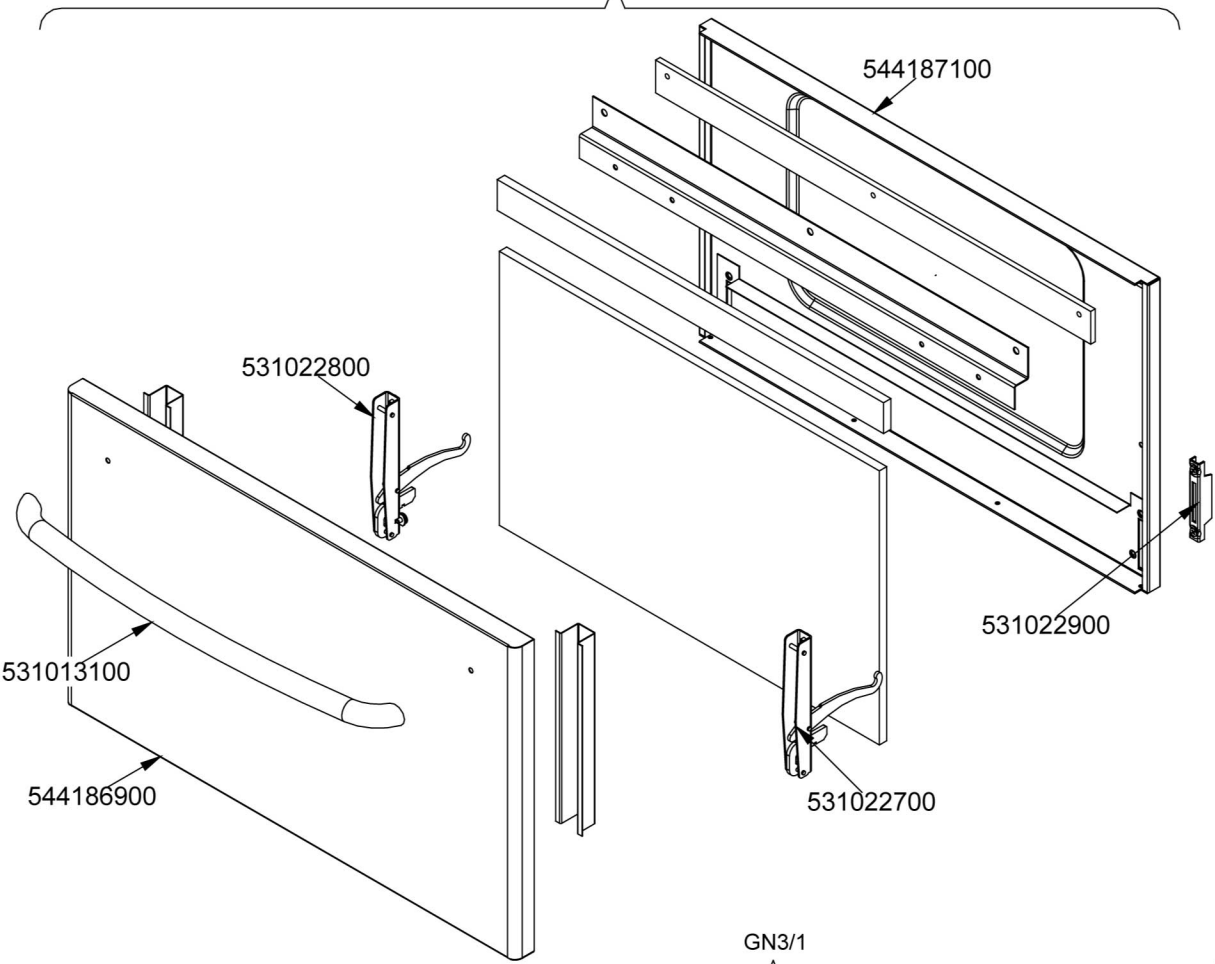
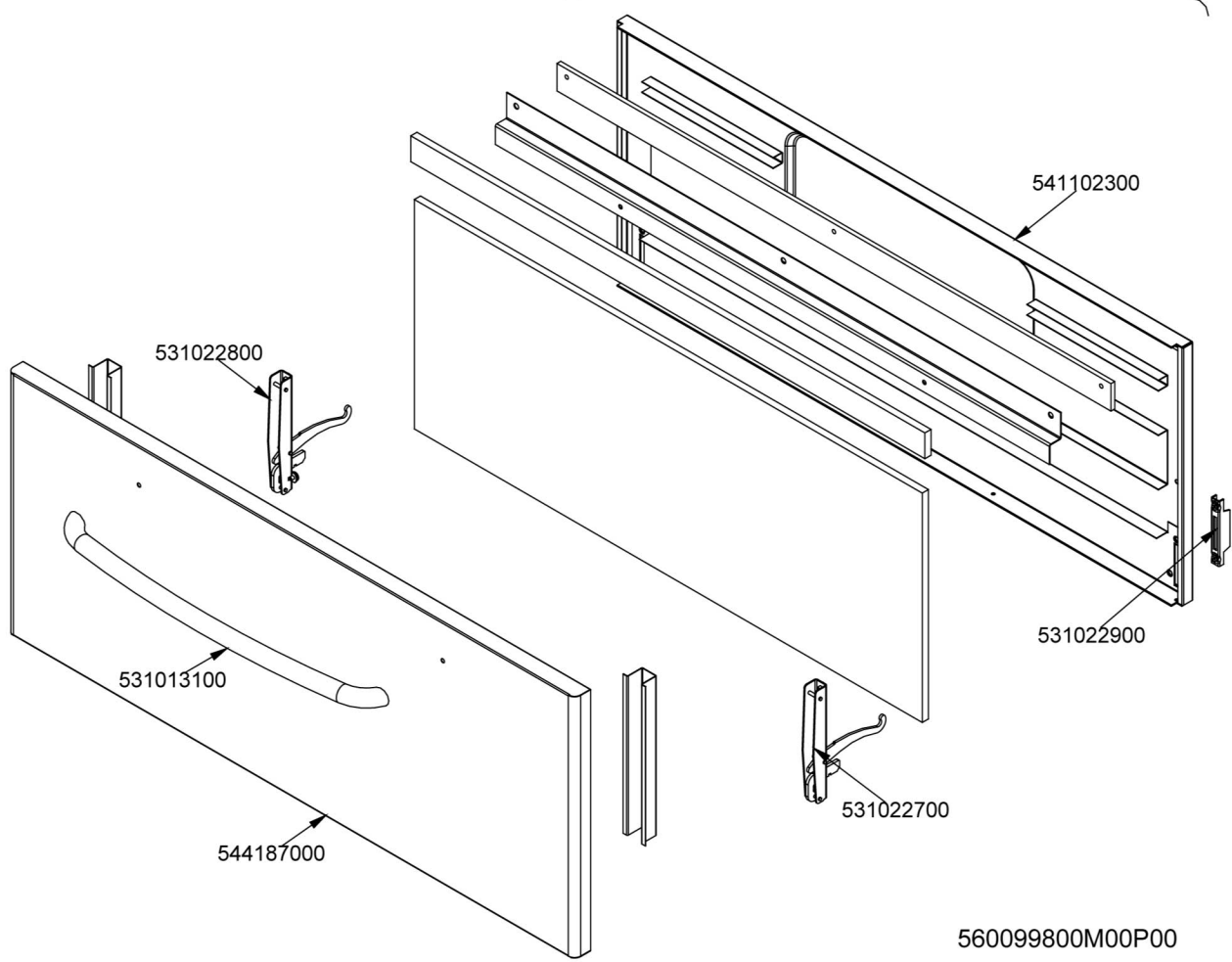


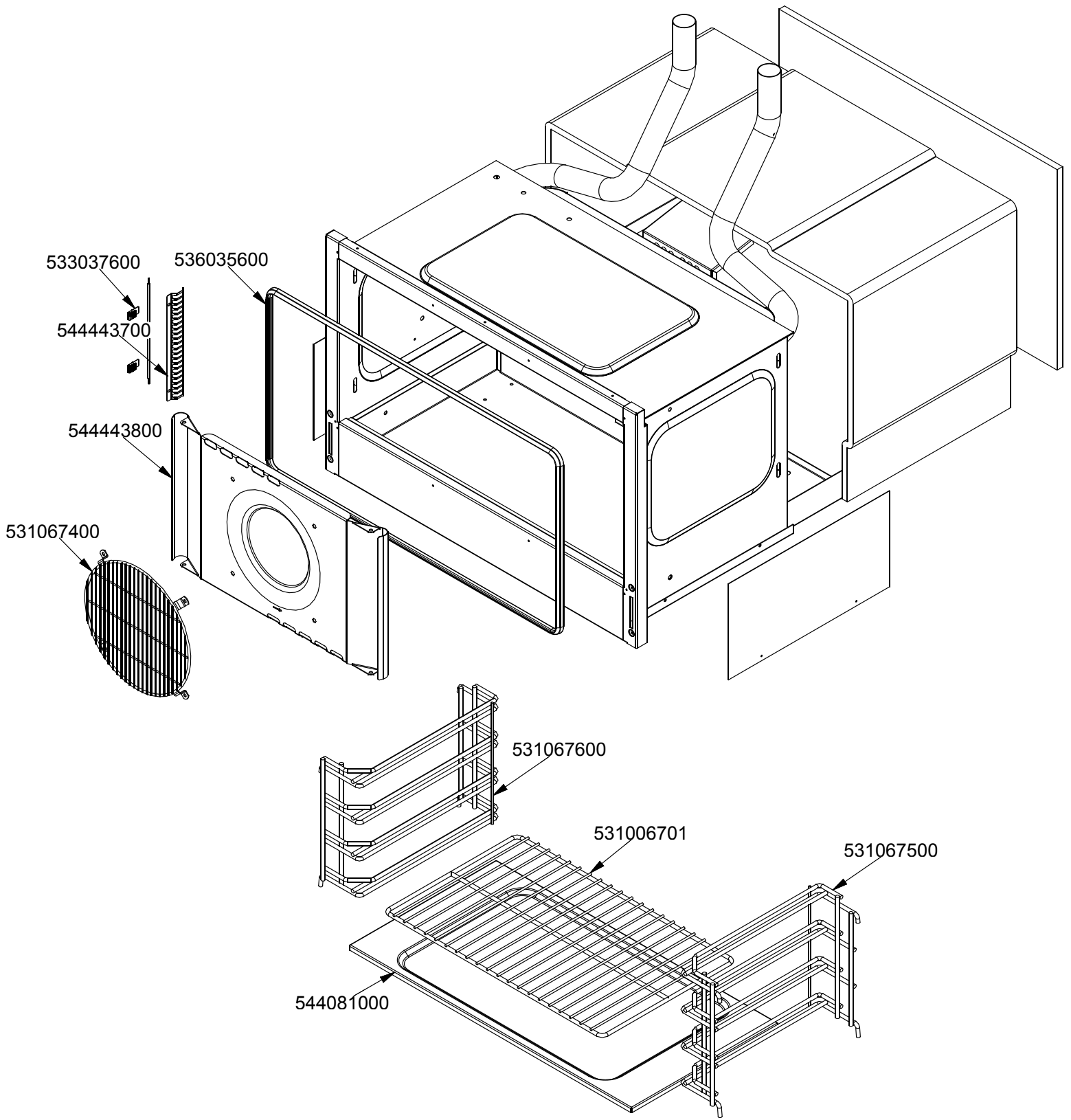
GN2/1

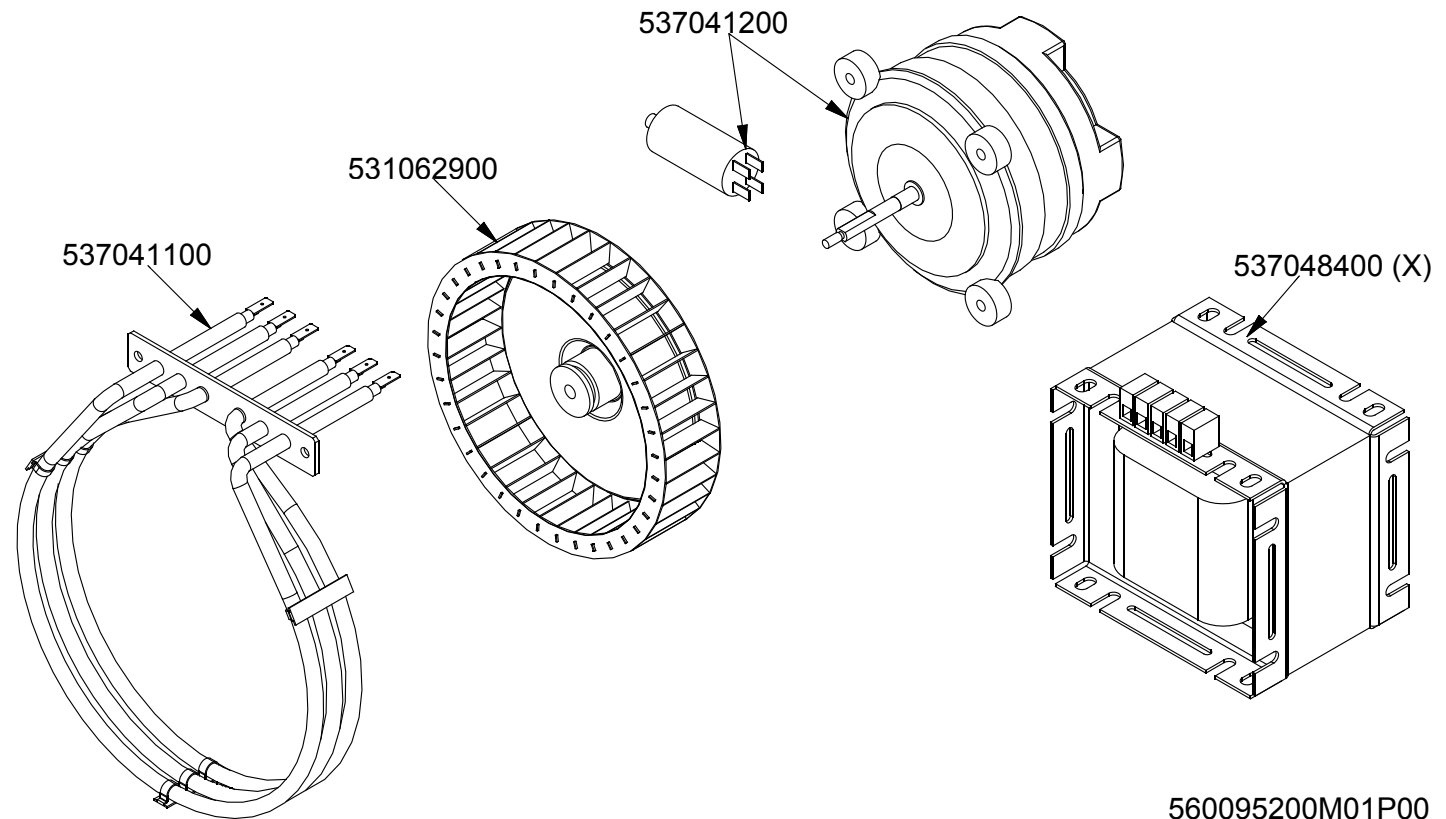
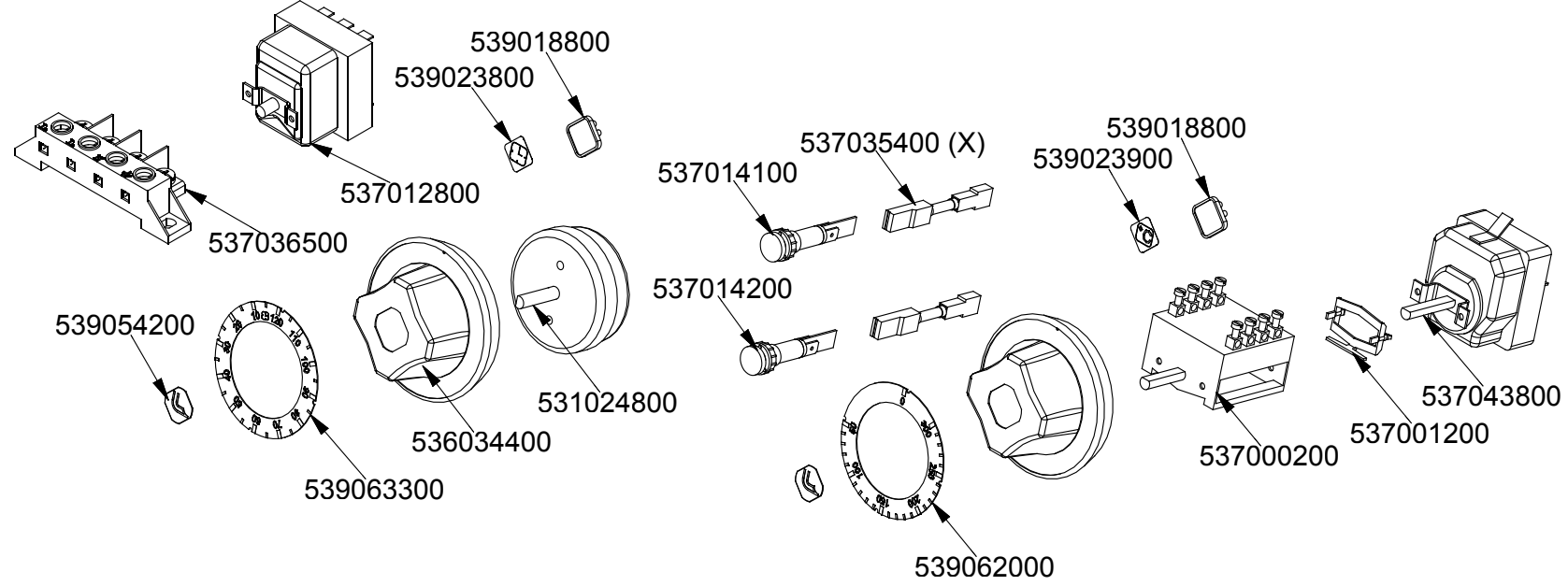


GN3/1



560099800M00P00





541157601 ≤ 1302
541157602 ≥ 1303

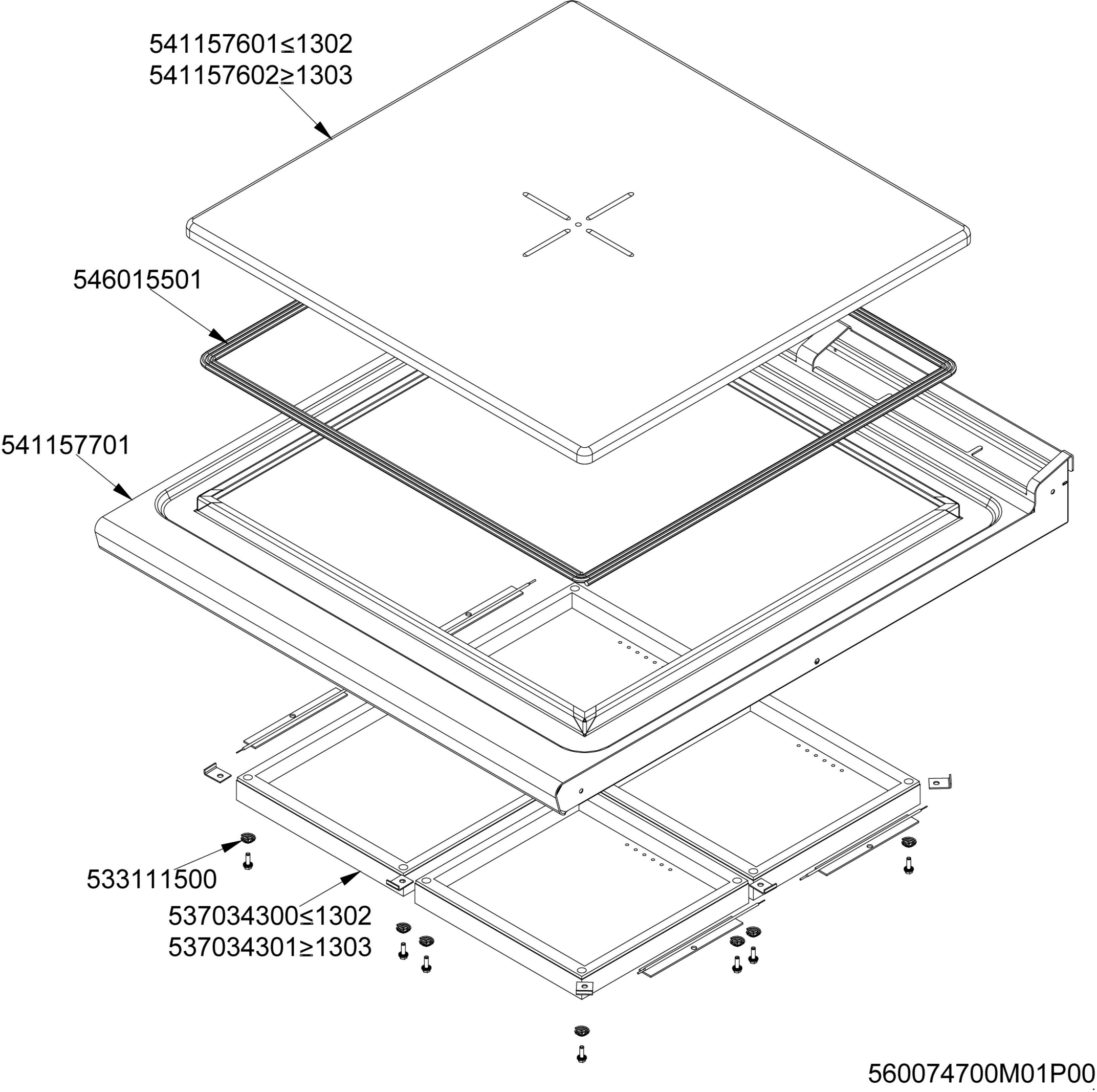
546015501

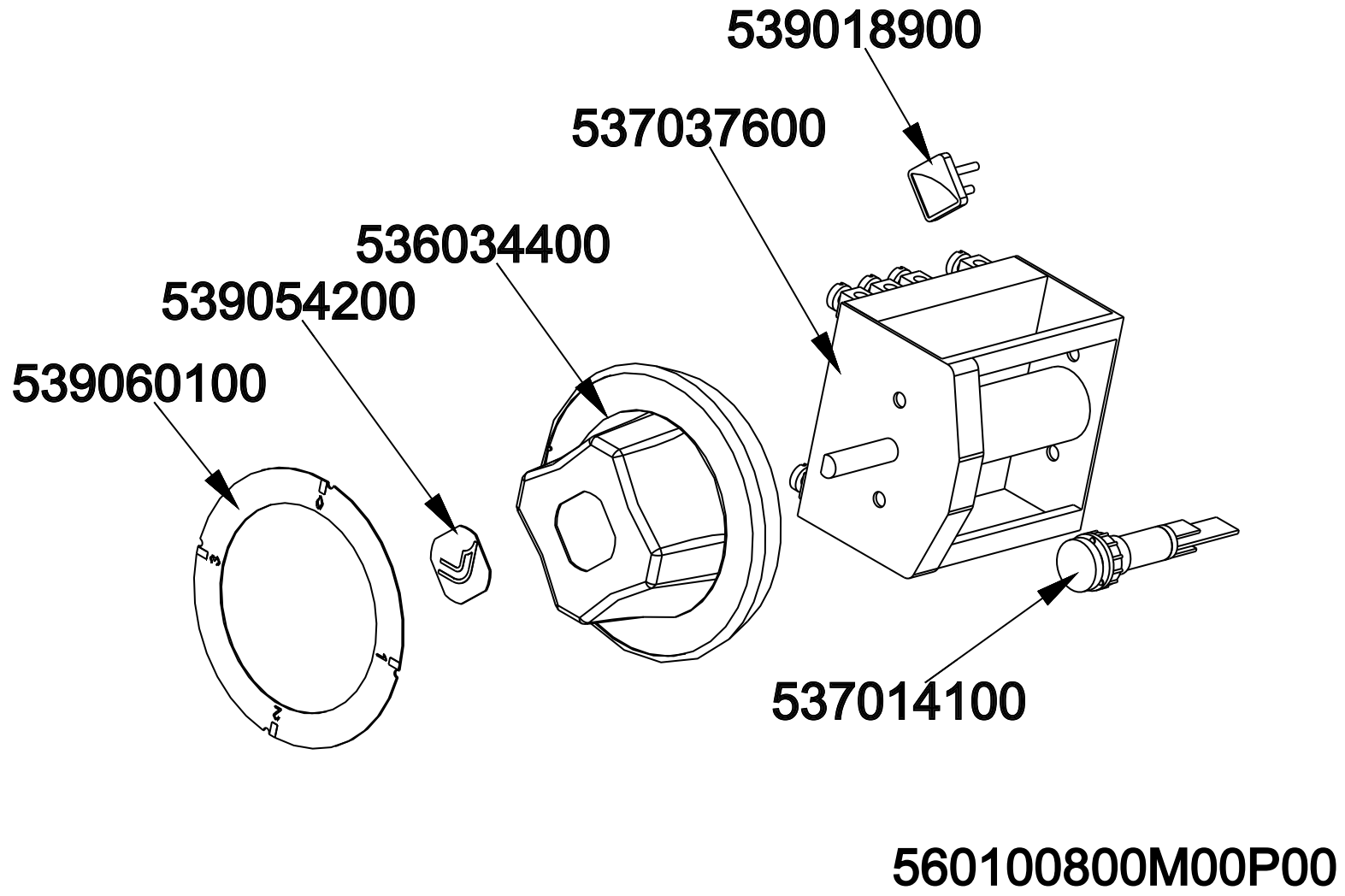
541157701

533111500

537034300 ≤ 1302
537034301 ≥ 1303

560074700M01P00





Page	Pos	Code	Description
001		532004100	FLUE GRID L=370 90LINE (RAF
001		537027400	TERMINAL BLOCK THREEPHASE 40A
001		537003800	TERMINAL BLOCK 3POLES 16A
001		537036500	TERMINAL BLOCK 4POLES 40A SCREW-SCR
001		537000900	THERMOSTAT 063-320°C THREEPHASE
001		541104501	CONTROL PANEL CF4-78E CFC4-78E C
001		544407200	RIGHT SIDE PANEL RANGE 70 LINE
001		544407100	RIGHT SIDE PANEL RANGE 90 LINE
001		536005200	INOX LEG 2" 120-180 M10
002		544187100	OVEN INNER DOOR GN 2/1 70/90LINE
002		531022800	LEFT OVEN DOOR HINGE S.70
002		531013100	OVEN DOOR HANDLE OF 70/90-LINE
002		544186900	OVEN DOOR GN 2/1 70/90LINES
002		531022700	RIGHT OVEN DOOR HINGE 70LINE
002		531022900	HINGE DOOR WHEEL HOLDER S.70
002		541102300	GAS OVEN INNER DOOR GN 3/1 S.70
002		544187000	OVEN DOOR GN 3/1 S.70
003		533037600	LOCK SPRING FOR BULB
003		536035600	OVEN GASKET GN 2/1
003		544443700	
003		544443800	55 ELECRC OVEN BOTTOM GN1/1
003		531067400	PROTECTION GRID FOR FAN OVEN*S70
003		531067600	LHD GRIDS HOLDER FOR GN1/1-OVEN S70
003		531006701	MAXI OVEN GRID FOR S60/65
003		531067500	RHD GRIDS HOLDER FOR GN1/1-OVEN S70
003		544081000	55 ELECRC OVEN BOTTOM GN1/1
004		539018800	BLANK INDEX FOR KNOB
004		539023800	LABEL FOR OVEN TIMER
004		537012800	SAFETY THERMOSTAT 420°C THREEPHASE
004		537036500	TERMINAL BLOCK 4POLES 40A SCREW-SCR
004		539054200	STAMP Ø20,5 CR."L" LOTUS R.
004		537014100	WHITE WARNING LIGHT 250V
004		537014200	GREEN WARNING LIGHT 250V
004		539023900	SIGN PLATE FOR OVEN TEMPERATURE
004		537043800	THERMOSTAT 48/300°C THREEPHASE
004		537001200	FIXING BRACKET FOR THERMOSTAT/COMM.
004		537000200	COMMUTATOR 1 POS. 3PHASE S.49 16A
004		539062000	ADESIVE DISK THERMOSTAT OVEN S70
004		531024800	TIMER 120'- 360°
004		536034400	KNOB §77 4P. §06*4,6 C/M
004		539063300	ADESIVE DISK FOR TYMER GREY
004		537041200	S70 MOTORFAN
004		531062900	OVEN FAN Ø180 S.70
004		537041100	HEATING ELEMENT 5200W 230V3 OVEN
005		541157601	UPPER PLATE TP-98E
005		541157602	PLATE S90 TP-98E
005		546015501	SQUARE PLAIT L.C.06X06 L7500
005		541157701	UPPER PLATE TP-98E
005		533111500	COIL SPRING INTØ7X18XØFILO1 H=10
005		537034300	HEATING EL. 250X250 3400W230V3
005		537034301	HEATING EL. 250X295 3400W 230V3

Page	Pos	Code	Description
006		539018900	INDEX FOR KNOB W/RED SIGN
006		537037600	COMMUTATOR 4 POS.3PHASE S.43 32A
006		536034400	KNOB §77 4P. §06*4,6 C/M
006		539054200	STAMP O20,5 CR."L" LOTUS R.
006		539060100	RED ADESIVE DISK FOR CPT-ET
006		537014100	WHITE WARNING LIGHT 250V