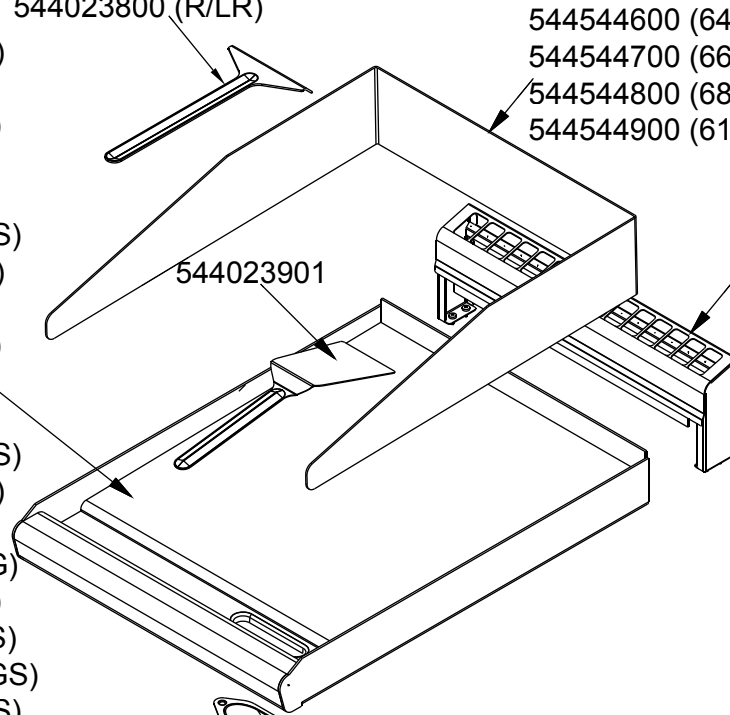


- 5412032001 (L-64G)
- 541207401 (R-64G)
- 541203301 (L-64GS) 544023800 (R/LR)
- 541207501 (R-64GS)
- 541203801 (L-66G)
- 541205601 (LR-66G)
- 541208001 (R-66G)
- 541203901 (L-66GS)
- 541205701 (LR-66GS)
- 541208101 (R-66GS)
- 541204401 (L-68G)
- 541206201 (LR-68G)
- 541208601 (R-68G)
- 541204501 (L-68GS)
- 541206301 (LR-68GS)
- 541208701 (R-68GS)
- 541205001 (L-610G)
- 541206801 (LR-610G)
- 541209201 (R-610G)
- 541205101 (L-610GS)
- 541206901 (LR-610GS)
- 541209301 (R-610GS)

- 544544600 (64)
- 544544700 (66)
- 544544800 (68)
- 544544900 (610)

- 541214300 (64)
- 541214500 (66)
- 541214700 (68)
- 541214900 (610)



- 531026000 (64/68/610)
- 531026100 (66)

544508100

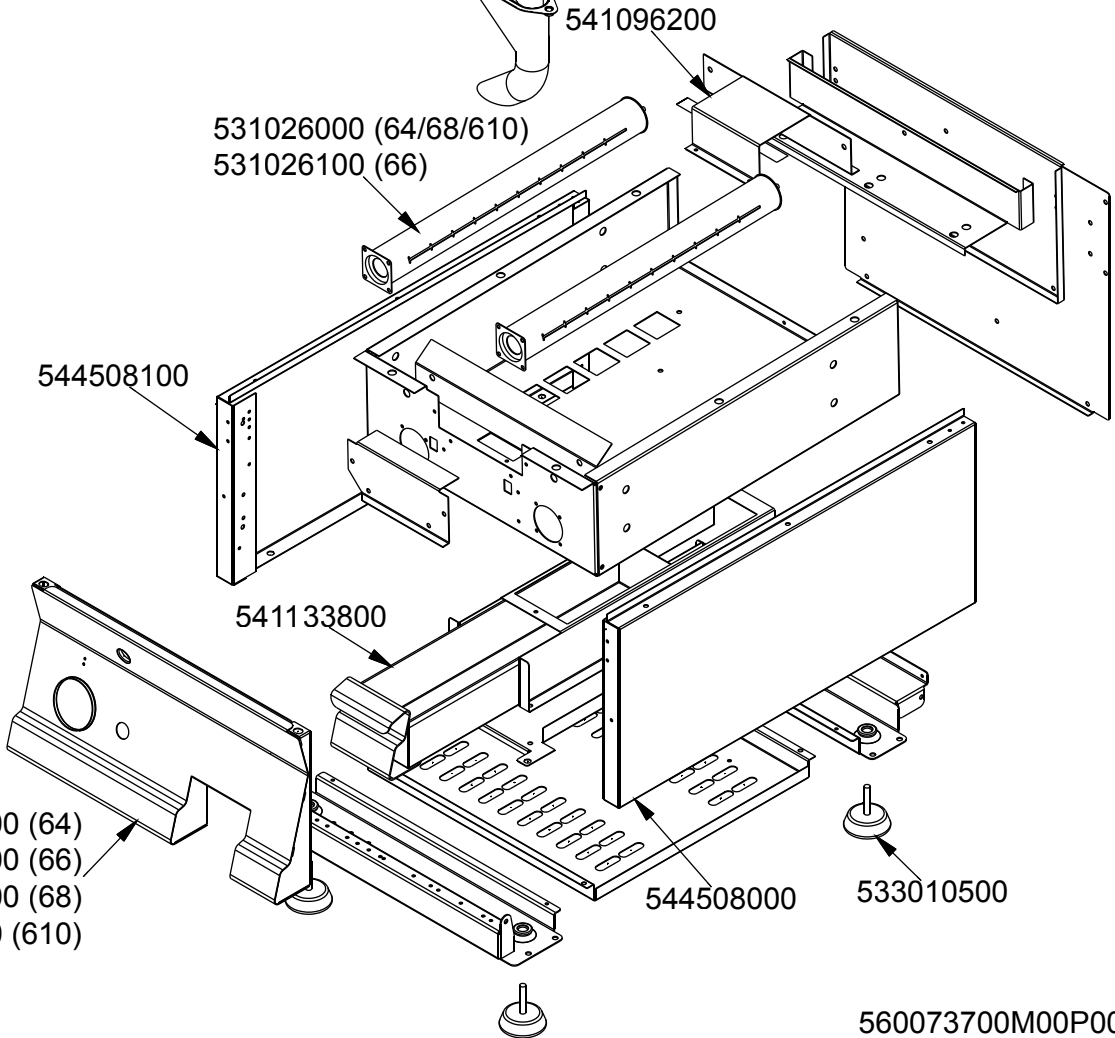
541133800

- 541193000 (64)
- 541194000 (66)
- 541193200 (68)
- 541193300 (610)

544508000

533010500

560073700M00P00





Page	Pos	Code	Description
001		544544800	SPLASH GUARD FT-6 8
001		541204401	UPPER PLATE FOR FTL T-6 8G
001		541204501	UPPER PLATE FOR FTL T-6 8GS
001		544023901	SPATTLE FOR FRY-TOP
001		541214700	SPACER 68G
001		541096200	BURNER SUPPORT FT-74G FT-78G
001		531026000	BURNER FT-4/6/8G BM-4G
001		544508100	LHD SIDE OF 60T APPLIANCES
001		541133800	DRIP TRAY FT-55
001		541193200	CONTROL PANEL 607090 FTT-6 8G
001		544508000	RHD SIDE OF 60T APPLIANCES
001		533010500	LEG M10*25 D.40
002		533023400	"TARGET" PILOT + NIPPLE TC
002		537010200	ROUND PLUG §2,4 - SHORT ELECTRODE
002		533045700	THERMOCOUPLE M9*1 500
002		533023300	BICONE §6 ("TARGET" PILOT
002		533018500	FITTING FOR BICONE D.6 M10*1
002		533018600	PLUG FITTING
002		547003200	HIGH-VOLTAGE CABLE TUBE.§2 L=500
002		533009400	BICONE 10S
002		533009500	NIPPLE FOR BICONE 10S
002		539018900	INDEX FOR KNOB W/RED SIGN
002		533053300	THERMOCOUPLE EXTENSION M9*1
002		533039100	BICONE §6
002		531025300	VALVE EUROSIT FT 80-320°C
002		533102500	SHORT PIVOT FOR PLASTIC KNOB
002		536034700	KNOB §77 4P. §08*6,5 F§30
002		539054200	STAMP Ø20,5 CR."L" LOTUS R.
002		539062700	RED STICKING DISK 72 (060,300°
002		533053600	EUROSIT VALVE PLUG
002		533017900	BICONE D.12
002		533018000	ELBOW FOR BICONE D.12 3/8 RS L20
002		533040600	HEADLESS SCREW M4*8
002		537002800	PIEZOELECTRIC IGNITION M18 WITH NUT
002		533093900	FITTING GAS ENTRY 1/2G 2OUT 3/8G
002		533020500	NOZZLE 0.140 §19
002		533020600	NOZZLE 0.140 §27
002		533109600	NOZZLE §083 CH12X30,0
002		533109700	NOZZLE §072 CH12X30,0
002		533057300	NOZZLE §125 CH12*30 M-FT6
002		533057100	NOZZLE §140A CH12*30 M-FT4/6/8
002		533031901	NOZZLE §130 CH12*30 MH-FT34
002		533047100	NOZZLE §100A CH12*30 GF-BM6/8
002		533056900	NOZZLE §87 CH12*30 G-FT4/8
002		533047200	NOZZLE §151 CH12*30 M-BM6
002		533046600	NOZZLE §161 G25
002		533031401	NOZZLE §155 CH12X30 G20 MH-B2/FT