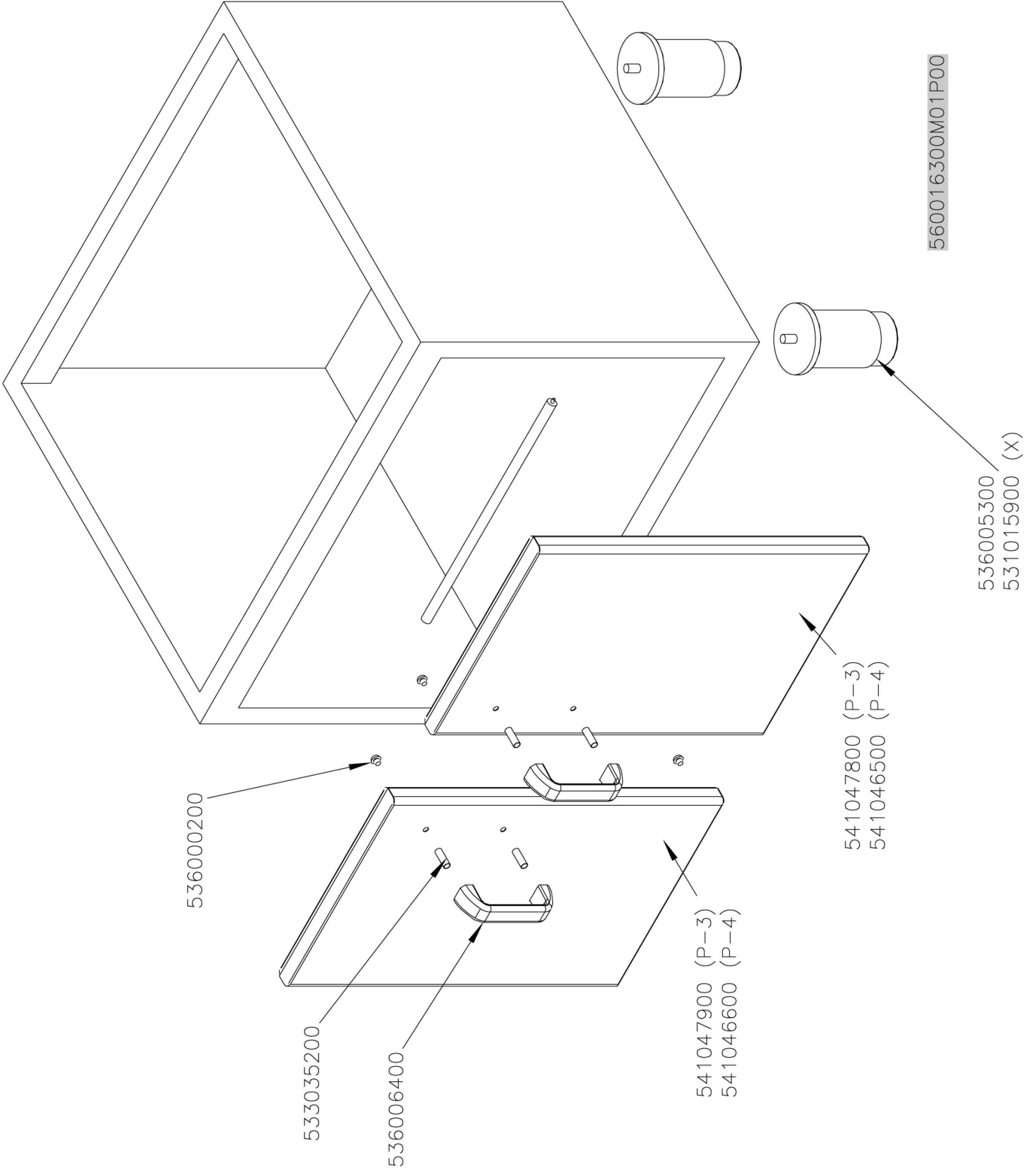
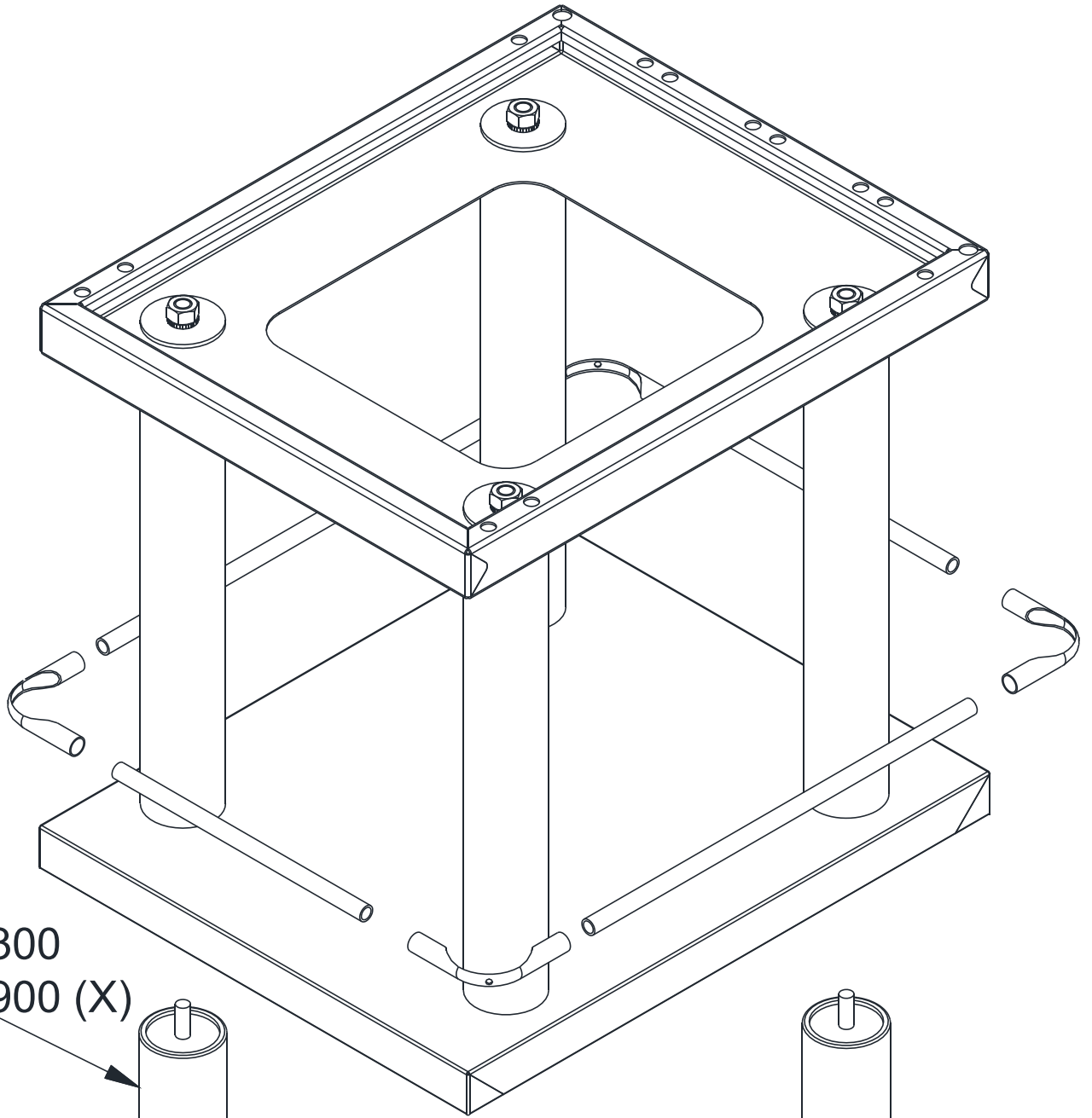
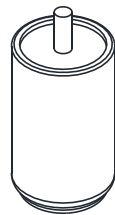
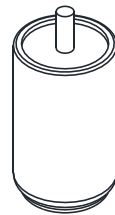
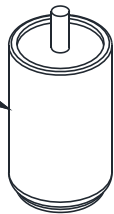


560016400 M00_01





536005300
531015900 (X)



560106700M00P00

Page	Pos	Code	Description
001		536012200	PLASTIC CONTAINER GN 1/1 H.150
001		541069600	CONTAINER MC/PL-6
001		531034200	LHD TELESCOPIC GUIDE
001		531034201	LHD TELESCOPIC GUIDE GT011 L486
001		534012900	LHD "Z" TELESCOPIC GUIDE DS50 L500
001		534012901	
001		536000200	D.12 H.4 BUMPER
001		534012800	RHD "Z" TELESCOPIC GUIDE DS50 L500
001		534012801	
001		531034100	RHD TELESCOPIC GUIDE
001		531034101	RHD TELESCOPIC GUIDE GT L486
001		541049500	ROUNDED DRAWER GN 1/1
001		541069800	ROUNDED DRAWER MC-6
001		541049600	ROUNDED DRAWER GN 2/1
001		536006400	BLACK HANDLE 65/FE/FG
001		533035200	HANDLE SPACER
001		531001400	MAGNET KG. 10
001		536005300	PLASTIC LED 2"
001		531015900	ADJUSTABLE LEG 2"
002		536000200	D.12 H.4 BUMPER
002		533035200	HANDLE SPACER
002		536006400	BLACK HANDLE 65/FE/FG
002		541047900	LEFT DOOR 30
002		541046600	LEFT DOOR 40
002		541047800	RIGHT DOOR 30
002		541046500	RIGHT DOOR 40
002		536005300	PLASTIC LED 2"
003		536005300	PLASTIC LED 2"