

ZIRCON

SPARE PARTS MANUAL



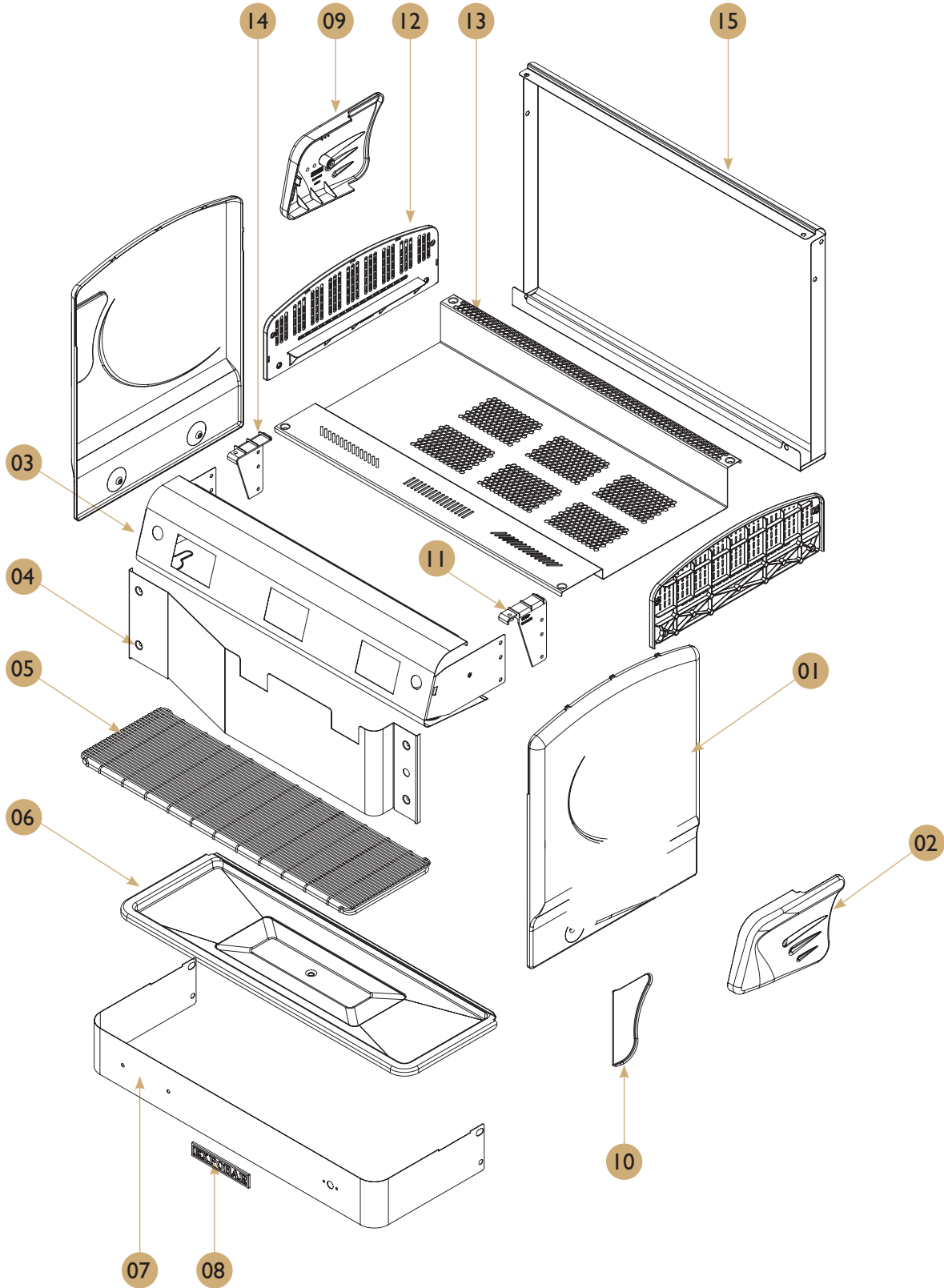
EXPOBAR®

CONTENTS	2
EXPLODED VIEWS	3
Housing parts.....	3
Water system_ZIRCON mini.....	5
Water system_ZIRCON 2Gr control.....	7
Water system_ZIRCON 2Gr control.....	8
Water system_ZIRCON 2Gr display	9
Water system_ZIRCON 2Gr 3 boilers	11
Boiler assembly_ZIRCON mini.....	13
Boiler assembly_ZIRCON 2Gr	15
Boiler assembly_ZIRCON 2Gr 3 boilers.....	17
Boiler assembly_ZIRCON 2Gr 3 boilers(Group boiler).....	19
Rotary pumps.....	21
Group head	23
Portafilters	25
Water supply and drainage set_ZIRCON mini 1Gr	27
Water supply and drainage set_ZIRCON mini pulser 1Gr	29
Water supply and drainage set_ZIRCON mini pulser 2Gr	30
Water supply and drainage set_ZIRCON 2Gr.....	31
Water supply and drainage set_ZIRCON 2Gr.....	32
Steam tap	33
Hot water taps	35
Grinder kit.....	37
ELECTRICAL COMPONENTS	39

(NOTE: multiboiler system parts not available for machines assembled after July 2017.)

Housing parts

Drawing



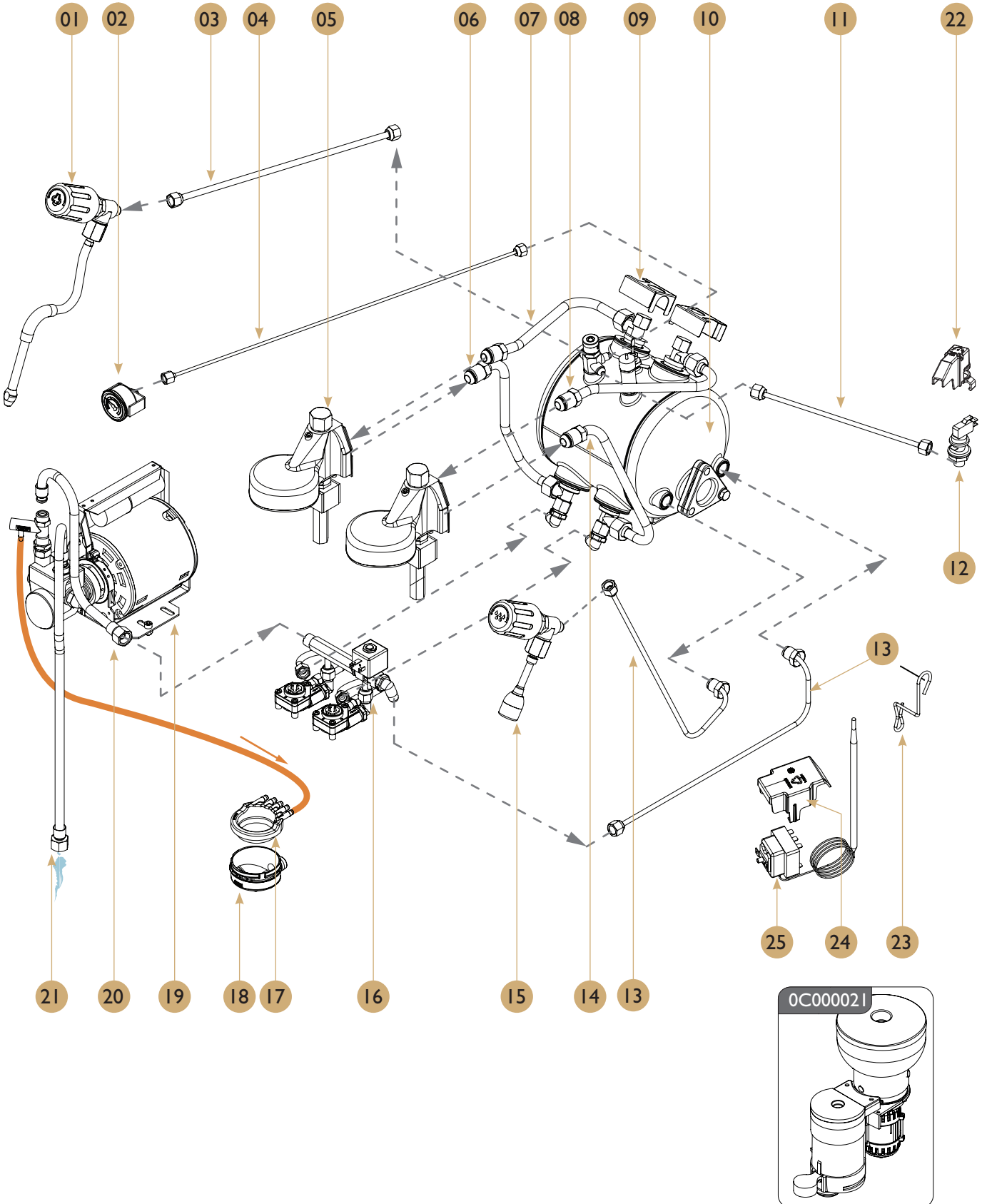
Housing parts

Spare parts list

POS.	Mach.	Part No.	Description	POS.	Mach.	Part No.	Description	
01	Mini,2Y3Gr			05	Mini Compact	C20000201	Grid for Mini	
02	Mini,2Y3Gr				2 Gr	C20000216	Grid 2Gr	
					3 Gr	C20000220	Grid 3Gr	
03	Mini Compact				High Group	C20000240	Grid High Group	
				2 Gr				
2 Gr	C20000166	Inox Drip Tray 2Gr						
04	Mini Compact			3 Gr	C20000170	Inox Drip Tray 3/4Gr		
				3 Gr / 4 Gr				
07	2 Gr							
				C12031070	Lower Trim Mk/Mega/G10 Mini Ta			
				C16000200	Trim Inf. 2 Gr ZIRCON			
				C12030070	Lower Trim 2Gr High Group			
				C19100200	Lower Trim 3 Gr neutral Mega			
08	Mini,2Y3Gr			C12032065	Lower Trim 3Gr High Group			
				C*70300010A	Expobar Anagram Nickel			
09	Mini,2Y3Gr			10	Mini Y 2Gr			
11	Mini,2Y3Gr				3 Gr			
				12	Mini,2Y3Gr			
					Mini Compact			
13	Mini Compact			2 Gr				
				3 Gr				
				14	Mini, 2Y3Gr			
15	Mini Compact			2 Gr				
				3 Gr				

Water system_ZIRCON mini

Drawing



Water system_ZIRCON mini

Spare parts list

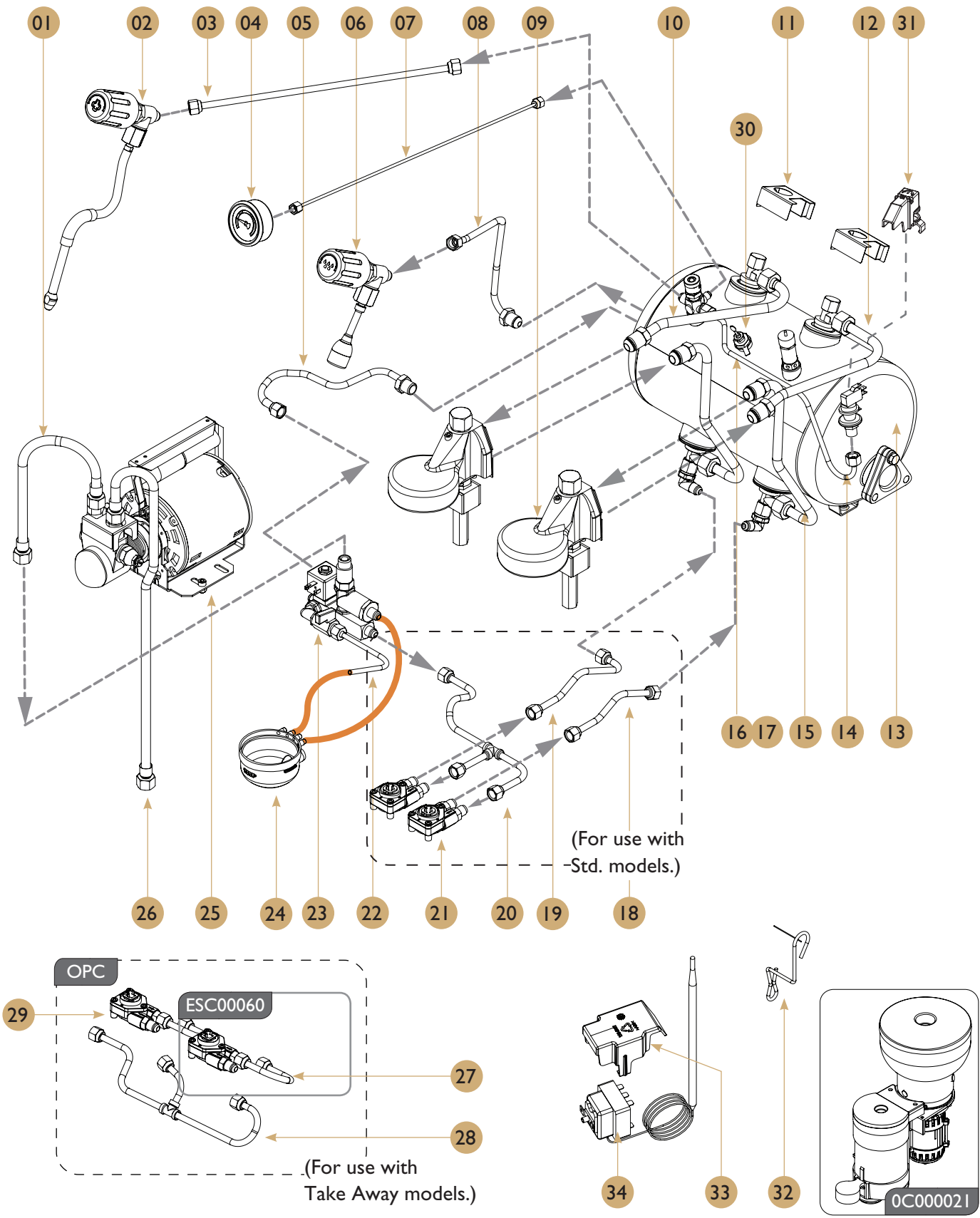
POS.	PCS	Part No.	Description
01	1	C15000370	Tap Steam Eleg./Mega Comp 4H Bf
02	1	C60000062	D-40 One Reading Manometer Orman
03	1	C35040117	4Ltrs Grinder's Steam Pipe
04	1	C35110530	Pipe Manometer
05	2	C15000050	Group Espresso Preass
06	1	C35040006	Pipe Group Left Return Mini
07	1	C35110002	Pipe Group Right Inlet
08	1	C35110003	Pipe Group Left Inlet
09	3	CESC00100	Magnets Set
10	1	-----	Boiler Assembly G-10 Mini
11	1	C35040106	Pipe Pressure Sensor Mini
12	1	C60000008	Pressostat Piris Ce
13	2	C35040118	Pipe Water Filling Mini
14	1	C35040105	Pipe Group Right Return Mini
15	1	C15000330	Tap Hot Water Complete
16	1	CESC00098	Piping Mini Control 2 Std&Ta
17	1	C70001005	Drain Cup Cover
18	1	C70001001	Drain Cup With Thread
19	1	CESCMPE00	Motor&Pump Ass Eco
20	1	C35900040	55Cm Hose
21	1	C35900180	180Cm Hose
22	1	1264357	Cap for Pressure Switch
23	1	1364062	Clip EGO
24	1	1264261	3 POLE COVER
25	1	C10200150	Thermal Cut-out 3 Pole with bulb

**Note:**

The optional mini mill 0C000021 models only used on 1Gr models.

Water system_ZIRCON 2Gr control

Drawing



Water system_ZIRCON 2Gr control

Spare parts list

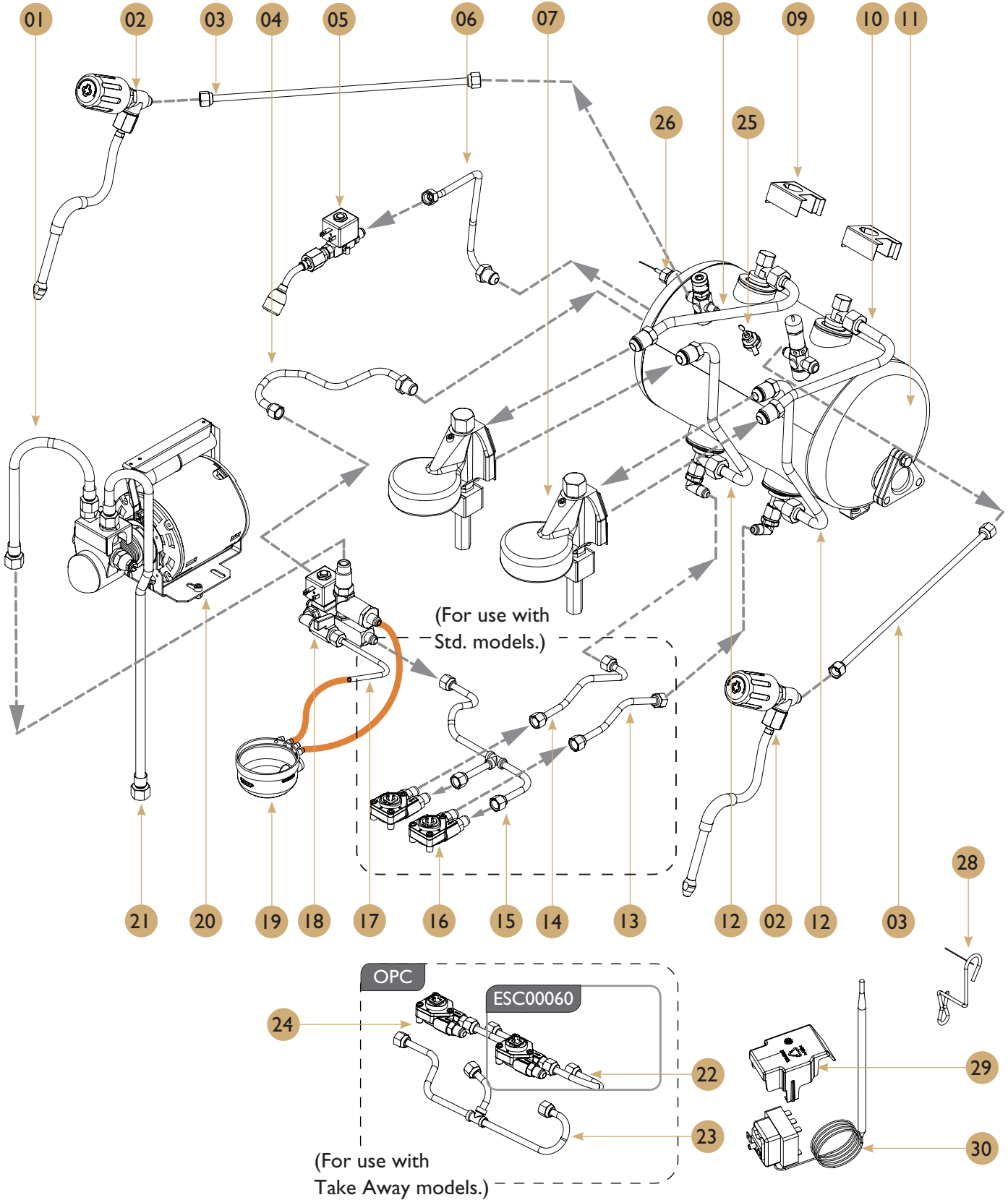
POS.	PCS	Part No.	Description
01	1	C35900020	30Cm Hose
02	2	CI5000370	Tap Steam Eleg./Mega Comp 4H Bf
03	1	C35040117	4Ltrs Grinder's Steam Pipe
04	1	C60000065	1 Gauge Reading D-60
05	1	C35110465	Pipe Water Filling 2Gr Mc
06	1	CI5000330	Tap Hot Water Complete
07	1	C35110530	Tube pressure gauge
08	1	C35110005	Pipe Water Tap
09	2	CI5000050	Group Espresso Preass
10	1	C35110003	Pipe Group Left Inlet
11	2	CESC00100	Magnets Set
12	1	C35110002	Pipe Group Right Inlet
13	1	-----	Boiler Assembly G-10 2Gr
14	1	C35110113	Pipe Steam Tap
15	2	C35110000	Pipe Group Right Return 2Gr
16	1	C35110114	Pressure Pipe 11 LT
17	-	C35110163	Supplement steam pipe (larger diameter)
18	1	C35040007	Flowmeteroutlet Piping (Std. models)
19	1	C35040104	Volumetric Tube Laberinth Mc (Std. models)
20	1	C35110461	Manifold Tube Distributor 2Gr (Std. models)
21	2	C60100045	Flowmeter UI/Netw. Brass Tef+Led (Std. models)
22	1	C35110012	Pipe Drainage Boiler 2Gr
23	1	CESC00093	Water Spliter
24	1	C70001000	Drain Filter + High Group
25	1	CESCMPS00	Motor&Pump Ass Std
26	1	C35900180	180Cm Hose
27	2	C35040103	Volumetric Tube (Take Away models)
28	1	C35110464	Pipe Distribution 2Gr Mc (Take Away models)
29	2	CESC00060	Flowmeter Ass. (Take Away models)
30	1	C60100040	Water Level Probe 1/4"
31	1	1264357	Cap for Pressure Switch
32	1	1364062	Clip EGO
33	1	1264261	3 POLE COVER
34	1	CI0200150	Thermal Cut-out 3 Pole with bulb

**Note:**

- In tall glass models, parts 18, 19 and 20 are replaced by parts 27 (x2) and 28.
- The piece 17 replaces the 16 when mount supplement steam.

Water system_ZIRCON 2Gr display

Drawing



Water system_ZIRCON 2Gr display

Spare parts list

POS.	PCS	Part No.	Description
01	1	C35900020	30Cm Hose
02	2	-----	Steam tap
03	1	C35110113	Pipe Steam Tap
04	1	C35110465	Pipe Water Filling 2Gr Mc
05	1	-----	Water throws + E.V. 2-way I / 4G
06	1	C35110005	Pipe Water Tap
07	2	CI5000050	Group Espresso Preass
08	1	C35110003	Pipe Group Left Inlet
09	3	CESC00100	Magnets Set
10	1	C35110002	Pipe Group Right Inlet
11	1	-----	Boiler Assembly Megacrem 2GR
12	2	C35110000	Pipe Group Right Return 2Gr
13	1	C35040007	Flowmeter Outlet Piping (Std. models)
14	1	C35040104	Volumetric Tube Laberinth Mc (Std. models)
15	1	C35110461	Manifold Tube Distributor 2Gr (Std. models)
16	2	C60100045	Flowmeter UI/Netw. Brass Tef+Led (Std. models)
17	1	C35110012	Pipe Drainage Boiler 2Gr
18	1	CESC00093	Water Spliter
19	1	C70001000	Drain Filter + High Group
20	1	ESC00010	CREM motobomba 220V
21	1	C35900180	180Cm Hose
22	2	C35040103	Volumetric Tube (Take Away models)
23	1	C35110464	Pipe Distribution 2Gr Mc (Take Away models)
24	2	CESC00060	Flowmeter Ass. (Take Away models)
25	1	C60100040	Water Level Probe 1/4"
26	1	C60100076	Temp. Probe + Susp. Pipe ISP
27	1	1264357	Cap for Pressure Switch
28	1	1364062	Clip EGO
29	1	1264261	3 POLE COVER
30	1	CI0200150	Thermal Cut-out 3 Pole with bulb

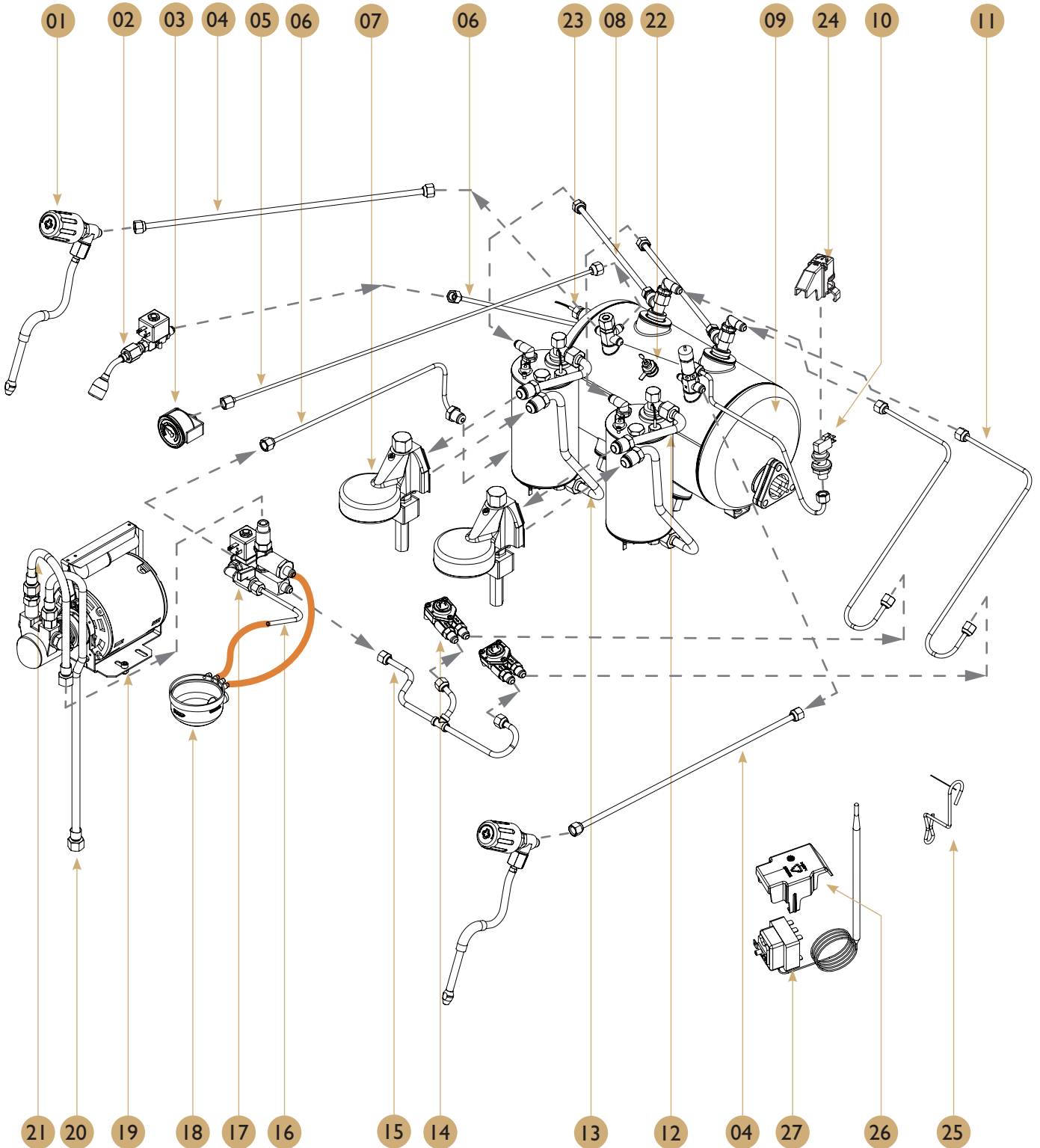
**Note:**

In models designed for tall cups, parts 13, 14 and 15 are replaced by parts 22 (x2) and 23.

Water system_ZIRCON 2Gr 3 boilers

(NOTE: multiboiler system parts not available for machines assembled after July 2017.)

Drawing



Water system_ZIRCON 2Gr 3 boilers

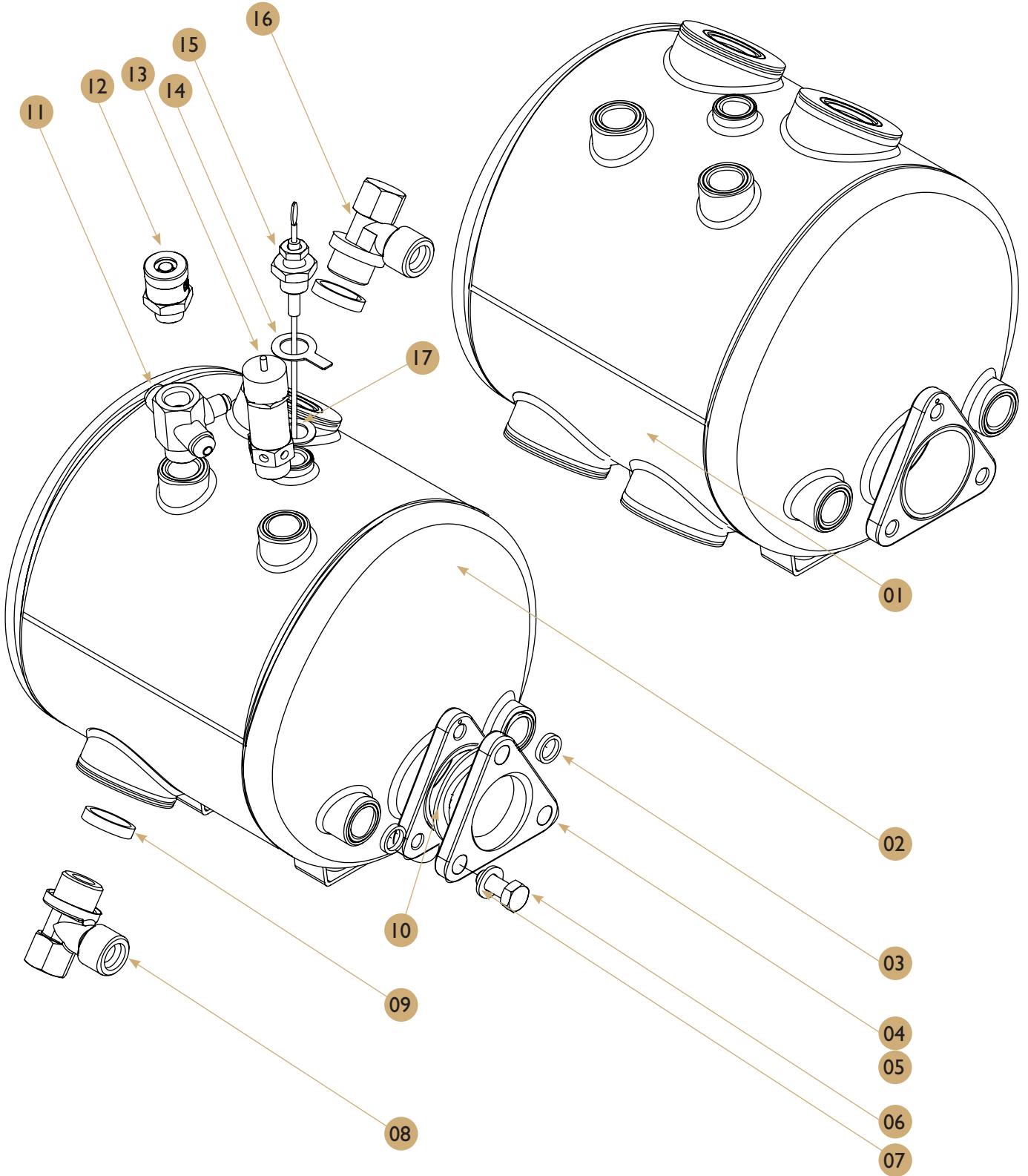
(NOTE: multiboiler system parts not available for machines assembled after July 2017.)

Spare parts list

POS.	PCS	Part No.	Description
01	2	C15000370	Tap Steam Eleg./Mega Comp 4H BF
02	1	-----	Water throws + E.V. 2-way 1/4G
03	1	C60000062	D-40 One Reading Manometer Orman
04	2	C35040117	4Ltrs Grinder's Steam Pipe
05	1	C35110530	Pipe Manometer
06	2	C35040118	Pipe Water Filling Mini
07	2	C15000050	Group Espresso Preass
08	2	C35110113	Pipe Steam Tap
09	1	-----	Boiler Assembly 2GR 3 boilers
10	1	C60000008	Pressostat Piris Ce
11	2	C35020010	Office Water Tube
12	2	C35040476	Entry Tube D12 Office Grinder
13	2	C35110000	Pipe Group Right Return 2Gr
14	2	C60100045	Flowmeter UI/Netw. Brass Tef+Led
15	1	C35110464	Pipe Distribution 2Gr Mc
16	1	C35110012	Pipe Drainage Boiler 2Gr
17	1	CESC00093	Water Splitter
18	1	C70001000	Drain Filter + High Group
19	1	ESC00010	CREM motobomba 220V
20	1	C35900180	180cm Hose
21	1	C35900020	30cm Hose
22	1	C60100040	Water Level Probe 1/4"
23	1	C60100076	Temp. Probe + Susp. Pipe ISP
24	1	1264357	Cap for Pressure Switch
25	1	1364062	Clip EGO
26	1	1264261	3 POLE COVER
27	1	C10200150	Thermal Cut-out 3 Pole with bulb

Boiler assembly_ZIRCON mini

Drawing



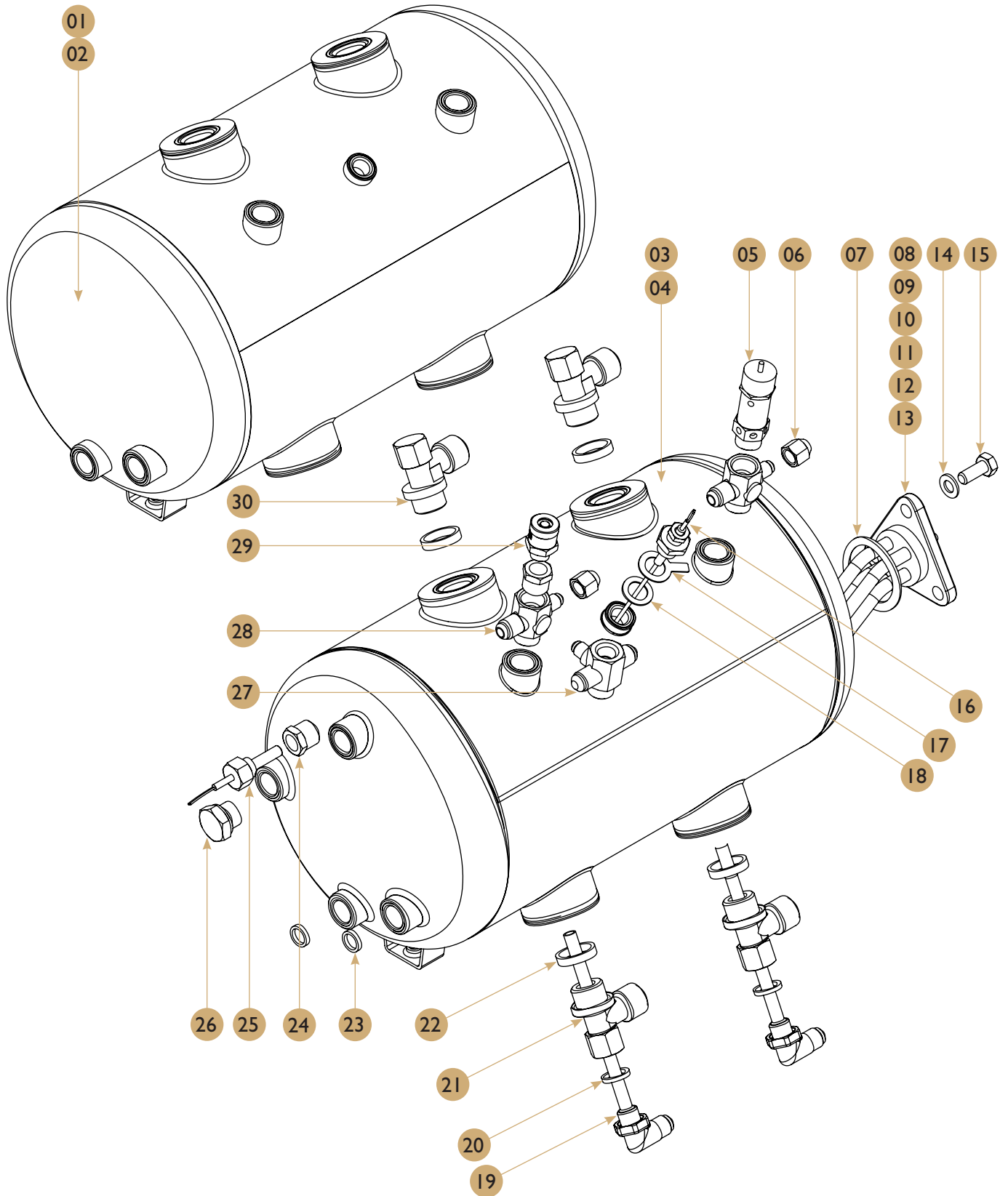
Boiler assembly_ZIRCON mini

Spare parts list

POS.	PCS	Part No.	Description
01	1	C15100016	Copper Boiler 2Gr 6Lt
02	1	C15100018	Boiler Copper 1Gr 6L
03	2	C50010050	3/8 Boiler's Connector Teflon Gaske
04	1	C38025001F	2500W-230V- 6L Copper Element
05	-	C38020000	2000W-120V- 6L Copper Element
06	1	C25093320	Hexagonal Head Screw 8X20 Din 933
07	1	C25012530	Flat Washer M-8 Din-125
08	1	C30000210	Thermics Inf. Adaptor-1/2X1/2X1/4
09	2	C50010010	21.1*25.7* 1/2 Teflon Gasket
10	1	C50010030	40*52*2 Element Teflon Gasket
11	1	C30000110	3 Tracks Adaptor 1/4 * 1/4 * 1/8
12	1	C65000200	Non Suction Valve
13	1	C65000110	Cn10 Ptfе Ce Safety Valve
14	1	C25000003	Still Ground Washer
15	1	C60100040	Water Level Probe 1/4
16	1	C30000200	Thermics Sup. Adaptor 1/2 X 1/2
17	1	C25679812	M12 Washer Form A

Boiler assembly_ZIRCON 2Gr

Drawing



Boiler assembly_ZIRCON 2Gr

Spare parts list

POS.	PCS	Part No.	Description
01	1	C15100025	Boiler 2Gr.Mc. 11 Gallon
02	-	C15100035	Boiler 3Gr.Mc. 17 Gallon
03	1	C15100020	Boiler 2Gr 11Lts.
04	-	C50010030	40*52*2 Element Teflon Gasket
05	1	C65000110	Cn10 Ptfе Ce Safety Valve
06	2	C30000315	Bling Plug 1/8 Female
07	1	C50010030	40*52*2 Element Teflon Gasket
08	1	C38027000F	3050W.230V- 2Gr Element
09	-	C38034503F	3450 W 230 V 2 Gr Element
10	-	C38020000	Copper Resisten.2000W-6L 120V.
*11	-	C38045000	4500W-230V 2Gr Element
12	-	C38040000F	4000 W- 230V 3Gr Element
*13	-	C38060000FF	6000W.230V-3Gr Element
14	1	C25012530	Flat Washer M-8 Din-125
15	1	C25093320	Hexagonal Head Screew 8X20 Din 933
16	1	C60100040	Water Level Probe 1/4
17	1	C25000003	Still Ground Washer
18	1	C25679812	M12 Washer Form A
19	2	C30000220	Cone Injector 1/4
*20	2	C50010020	13.2*18.2*2.5 1/4 Teflon Gasket
21	2	C30000210	Thermics Inf. Adaptor-1/2X1/2X1/4
22	4	C50010010	21.1*25.7* 1/2 Teflon Gasket
23	2	C50010050	3/8 Boiler's Connector Teflon Gaske
24	2	C30000003	Reducer Male-Female-3/8 - 1/4
25	1	C60100076	Temp. Probe + Susp. Steam Pipe lcd
26	1	C30000290	Plug M 3/8
*27	-	C30000110	Fitting 3-Way 1/4 * 1/4 * 1/8
28	2	C30000100	2 Tracks Adaptor- 1/4 X 1/8
29	1	C65000200	Non Suction Valve
30	2	C30000200	Thermics Sup. Adaptor 1/2 X 1/2

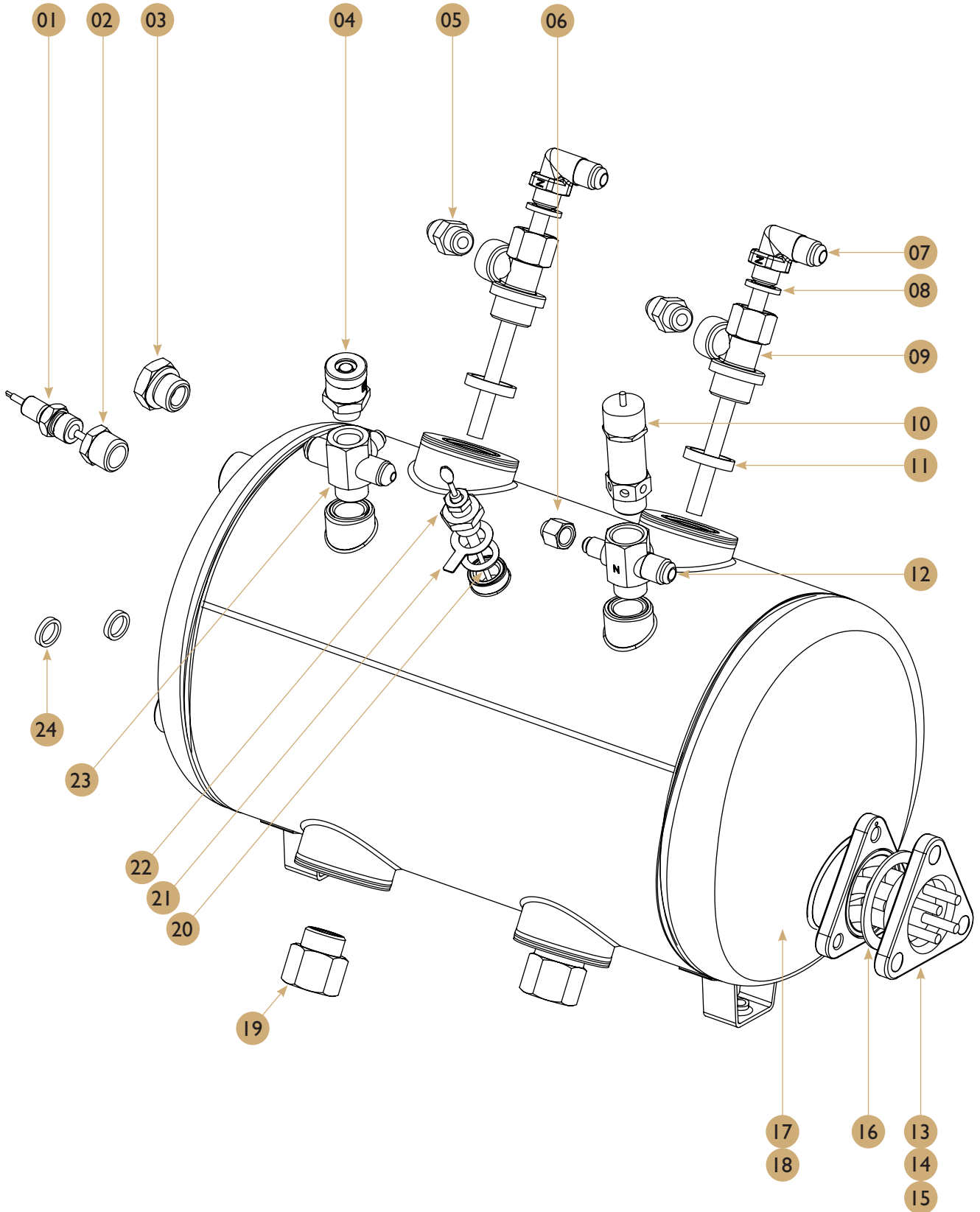
**Note:**

- The parts 11 and 13 are options on three-phase models.
- The parts 27 is mounted on non-supplemented control models of steam.

Boiler assembly_ZIRCON 2Gr 3 boilers

(NOTE: multiboiler system parts not available for machines assembled after July 2017.)

Drawing



Boiler assembly_ZIRCON 2Gr 3 boilers

(NOTE: multiboiler system parts not available for machines assembled after July 2017.)

Spare parts list

POS.	PCS	Part No.	Description
01	1	C60100076	Temp. Probe + Susp. Steam Pipe Icd
02	1	C30000003	Reducer Male-Female-3/8 - 1/4
03	1	C30000290	Plug M 3/8
04	1	C65000200	Non Suction Valve
05	2	C30000315	Bling Plug 1/8 Female
06	1	C30000510	Conical Adaptor 1/4*1/4 Electron
07	2	C30000220	Cone Injector 1/4
08	2	C50010020	13.2*18.2*2.5 1/4 Teflon Gasket
09	2	C30000210M	Thermics Inf. Adaptor-1/2X1/2X1/4
10	1	C65000110	Cn10 Ptfе Ce Safety Valve
11	2	C50010010	21.1*25.7* 1/2 Teflon Gasket
12	1	C30000100	2 Tracks Adaptor- 1/4 X 1/8
13	1	C38027000F	3050W.230V- 2Gr Element
*14	-	C38045000	4500W-230V 2GR ELEMENT
*15	-	C38060000F	6000W.230V-3GR ELEMENT
16	1	C50010030	40*52*2 Element Teflon Gasket
17	1	C15100020	Boiler 2Gr 11Lts.
18	-	C15100030	Boiler 3Gr 17Lts.
19	2	C30200035	Long Plug 1/2 Group
20	1	C25679812	M12 Washer Form A
21	1	C25000003	Still Ground Washer
22	1	C60100040	Water Level Probe 1/4
23	1	C30000110	3 Tracks Adaptor 1/4 * 1/4 * 1/8
24	2	C50010050	3/8 Boiler's Connector Teflon Gaske

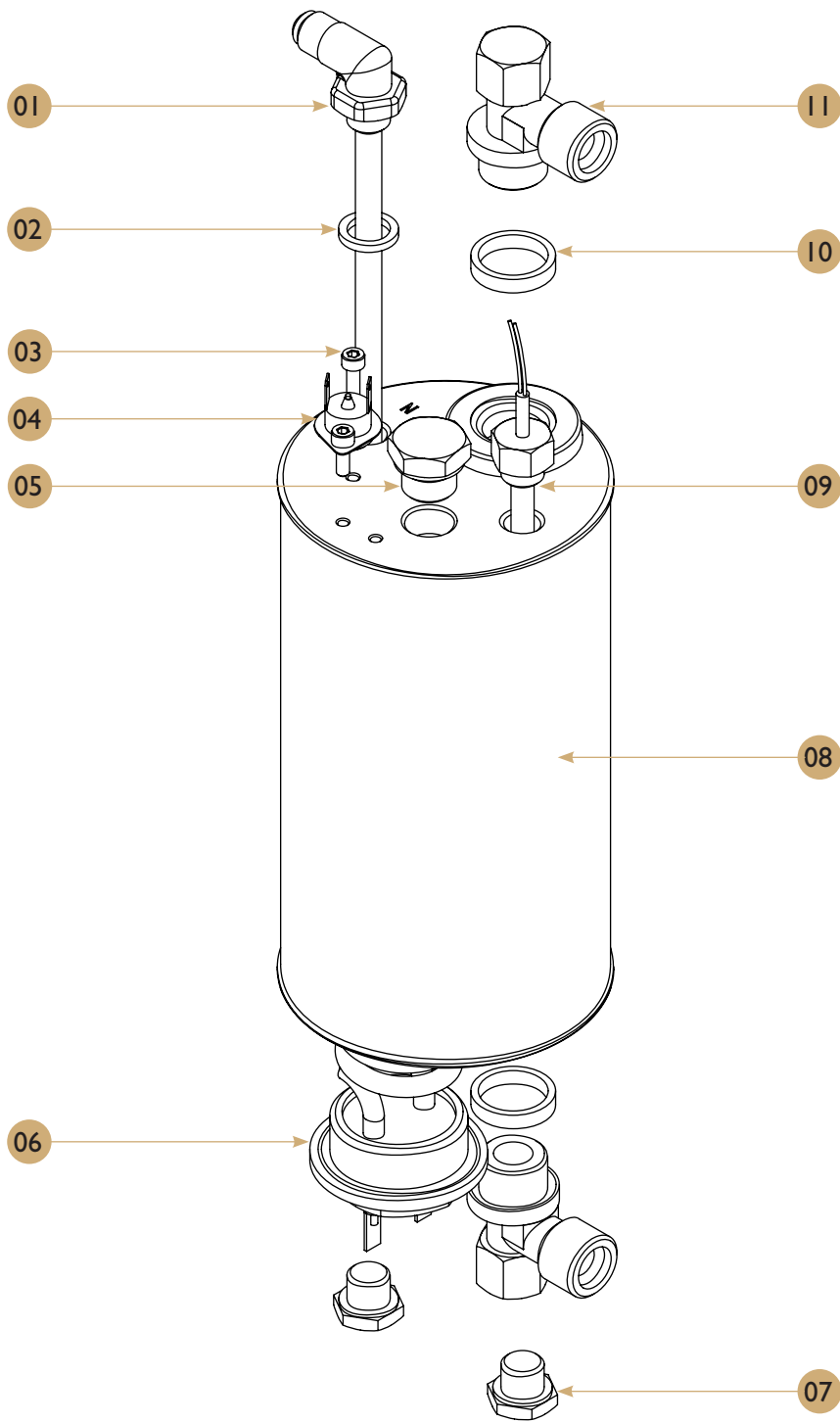
**Note:**

Parts 14 and 15 are options on three-phase models.

Boiler assembly_ZIRCON 2Gr 3 boilers(Group boiler)

Drawing

(NOTE: multiboiler system parts not available for machines assembled after July 2017.)



Boiler assembly_ZIRCON 2Gr 3 boilers(Group boiler)

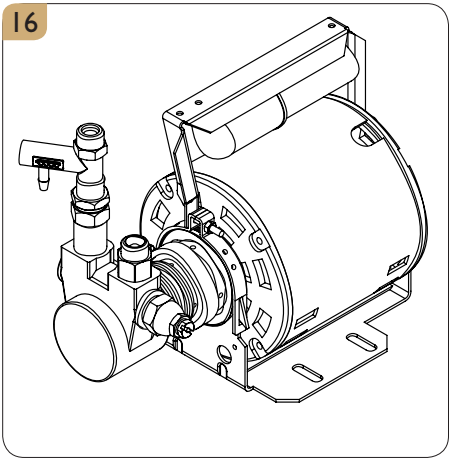
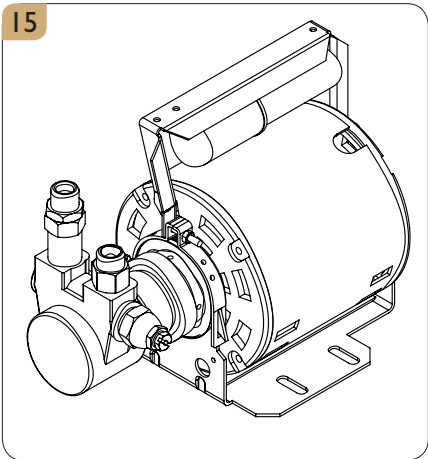
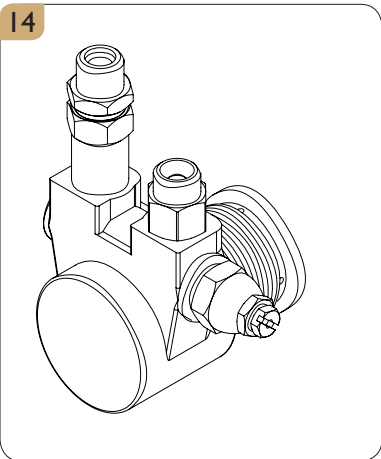
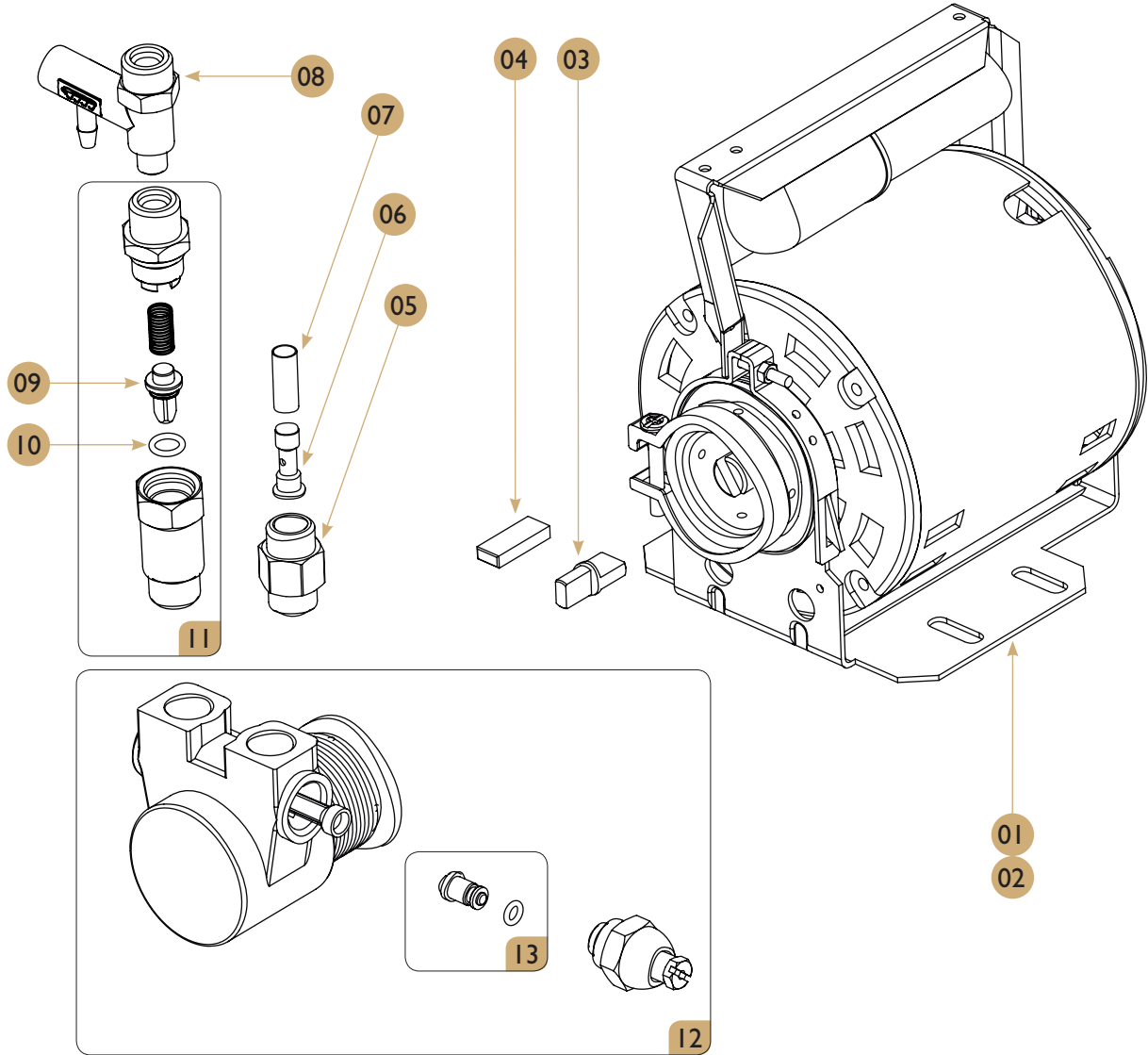
Spare parts list

POS.	PCS	Part No.	Description
01	1	C30000220	Cone Injector 1/4
02	1	C50010020	13.2*18.2*2.5 1/4 Teflon Gasket
03	2	C25091210	Allen Screw 4X12 Din-912
04	1	C10200110	Office Thermostat 16 A
05	1	C30000290	Plug M 3/8
06	1	C38012000F	1200W-230V Office Element
07	2	C30000300	Blind Plug 1/4 Male
08	1	C15100010	Office Cappuccinator Boiler
09	1	C60100076	Temp. Probe + Susp. Steam Pipe Icd
10	2	C50010010	21.1*25.7* 1/2 Teflon Gasket
11	2	C30000200	Thermics Sup. Adaptor 1/2 X 1/2

(NOTE: multiboiler system parts not available for machines assembled after July 2017.)

Rotary pumps

Drawing



Rotary pumps

Spare parts list

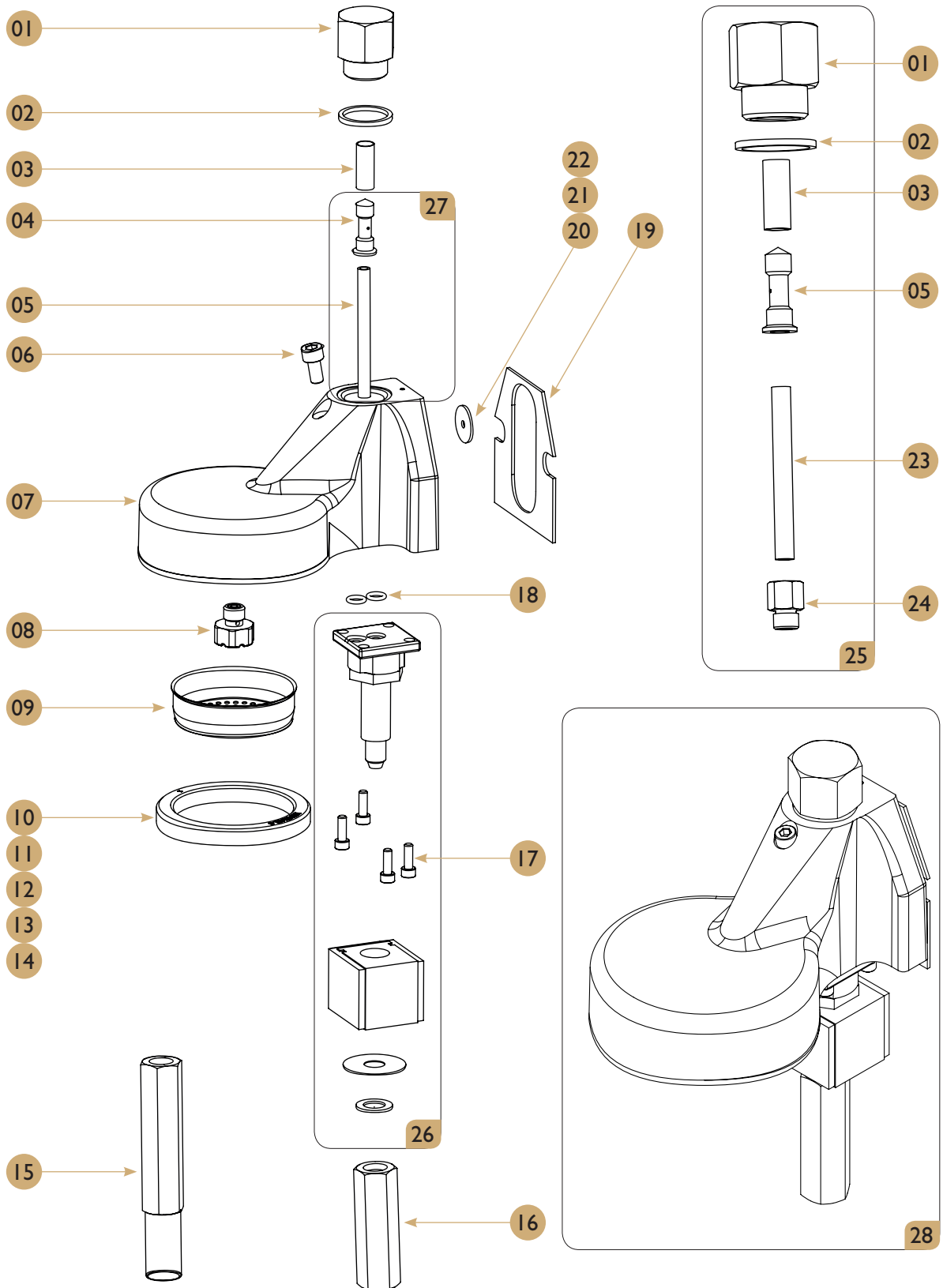
POS.	PCS	Part No.	Description
01	1	C60000016	Motor Crem 230V/50Hz
02	1	C60000028	Motor Crem 120V
03	1	C30000019	Cardan Joint Pump
04	1	C30000022	Cardan Joint Pump Flat
05	1	C30000240	PUMP ADAPTOR 3/8 X 3/8
06	1	C30100100	Inlet Water Filter Holder
07	1	C70000009	Tubular Group Filter
*08	1	C30400055	Pump Bypass Condor
09	1	C30369110	Restrictor pin
10	1	C50000130	O-Ring 8 X 1.9
11	1	C65000010	Retention Valve
12	1	C60000030	Pump (Crem Special Treatment)
13	1	C60000031	Piston Bypass Pump (Tec)
14	-	C60000033	Pump Rotary Compact
15	-	CESCMPS00	Motor&Pump Ass Std
16*	-	CESCMPE00	MOTOR&PUMP ASS ECO

**Note:**

Part No. C30400055 and CESCMPPE00 apply to the ZIRCON mini models.

Group head

Drawing



Group head

Spare parts list

POS.	PCS	Part No.	Description
01	1	C30200035	Long Plug 1/2 Group
02	1	C50010040	21.7*25.7*2 G/C-G Teflon Gasket
03	1	C70000009	Group Teflon Injector Rev3
04	1	C30200061	Group Teflon Injector Rev3
05	1	C30200026	Tefl Water Reduc. Holder 4X6x65
06	1	C25091250	Allen Screw 6*10 Din-912 Group
07	1	C30200010	Crem Brewing Group Body
08	1	C30200040	Diffuser
09	1	C75000010	Shower
10	1	C75000081	8mm Group Head Gasket
11	-	C75000083	Filter 8.5Mm
12	-	C75000085	Filter 9Mm
13	-	C75000090	EXTRA SEAL FOR GASKET 0,5 Mm
14	-	C75000095	EXTRA SEAL FOR GASKET 1 Mm
15	-	C30000043	High Group Brewing Group Thread
16	1	C30000040	Brewing Group Thread
17	4	C25091210	Allen Screw 4X12 Din-912
18	2	C50000100	O-Ring 6.07X1.78 Fkm Fda
19	1	C50000010	Green Body Flat Group Joint
20	1	C50020000	3.5*18.2*2 Teflon Hot Water Reducto
21	-	C50020020	Chicle Teflon 2'5 (2'5X18'2X2)
22	-	C50020010	Chicle Teflon 2 (2X18'2X1)
23	1	C30200026	Teflon Tube 4X6x55
24	1	C30200070	Acople Tubo Portachicle
25	-	CESC50000	Injector Kit Complete
26	1	C60000112	Gro Head Electrov. Parker 220V
27	1	C60000115	Gro Head Electrov. Parker 120V
28	-	CI5000050	Group Espresso Preass

**Note:**

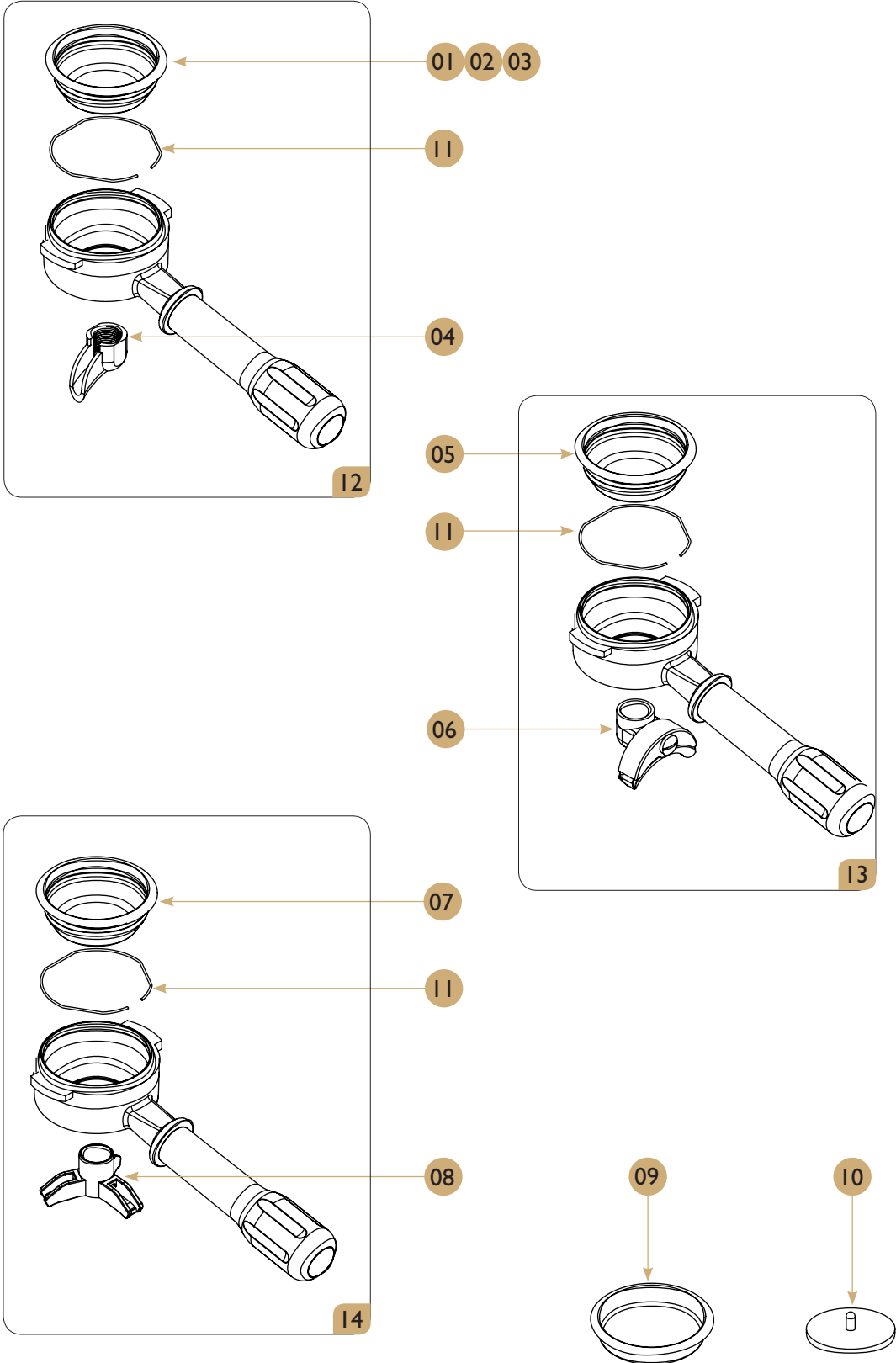
Sets C60000112 and C60000115 do not include no. 17 screws.

The CESC50000 set is designed for threaded group bodies (models prior to 2004).

Pos. 13/14 can be used for old and worn out seals/group heads to ensure proper sealing.

Portafilters

Drawing



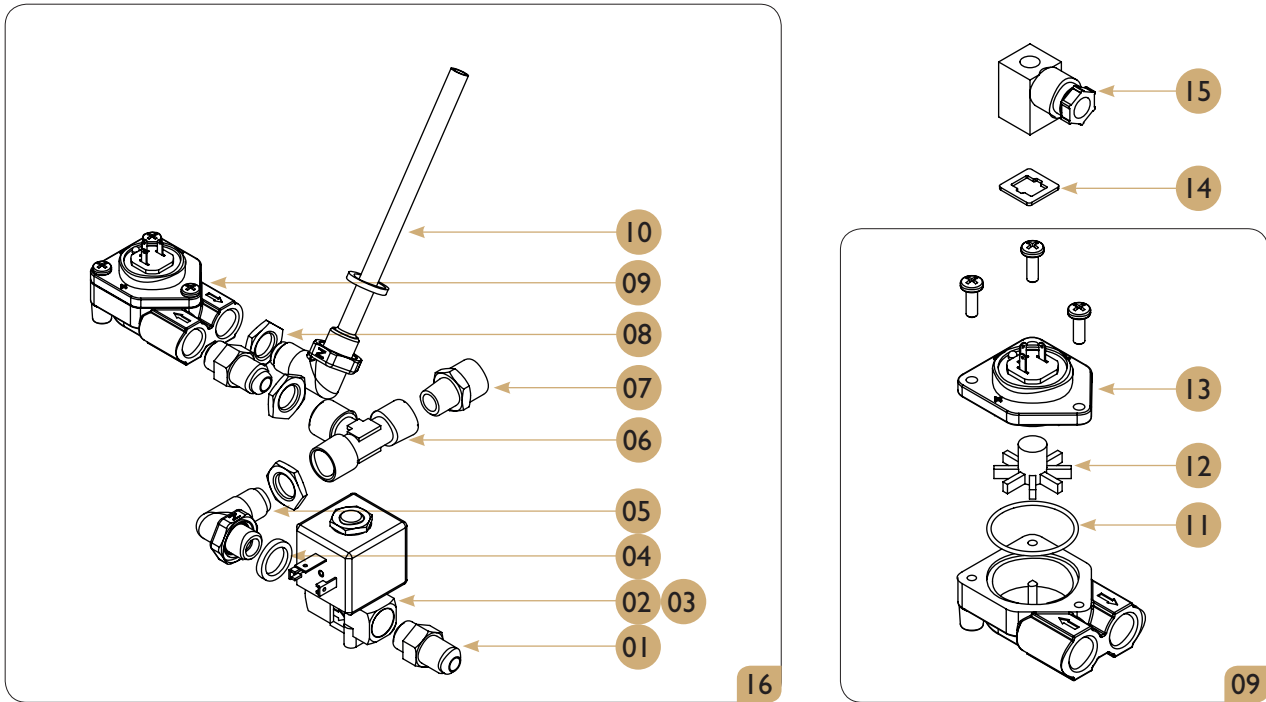
Portafilters

Spare parts list

POS.	PCS	Part No.	Description
01	-	C75000059	1 Cup Filter 6 Gr
02	-	C75000037	1 Cup Filter 6,5 Gr
03	-	C75000031	1 Cup Filter (7Gr)
04	-	C75000050	Spout 1 Cup
05	-	C75000041	2 Cup Filter (14Gr)
06	-	C75000060	Spout 2Cups
07	-	C75000049	3 Cup Filter (21Gr)
08	-	C75000070	Spout 3 Cups
09	-	C75000020	Blind Cup
10	-	C75000000	Blind Rubber Filter
11	-	C75000120	Filter Spring
12	-	C75001500	Portafilter 1 Cup Std Incl Filter
13	-	C75002500	Portafilter 2 Cups Std Incl Filter
14	-	C75003000	Portafilter 3 Cups Std Incl Filter

Water supply and drainage set_ ZIRCON mini I Gr

Drawing

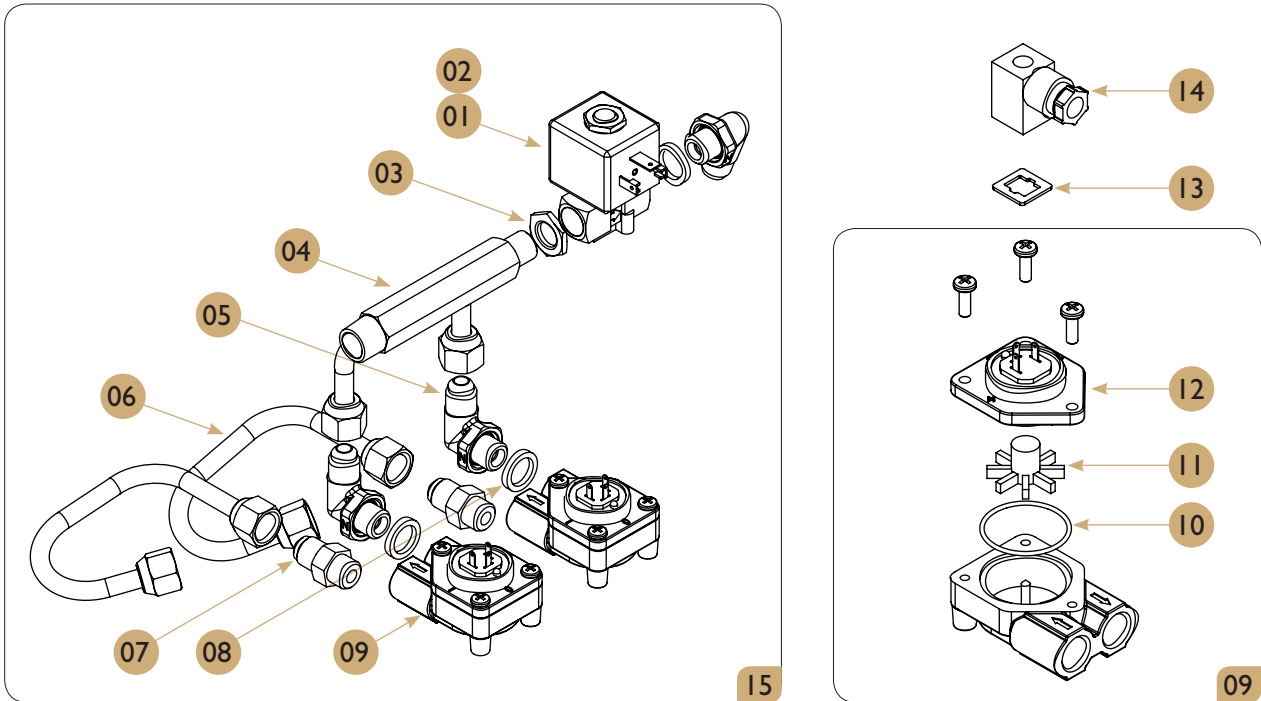


Spare parts list

POS.	PCS	Part No.	Description
01	2	C30000510	Conical Adaptor 1/4*1/4 Electron
02	1	C60000100	1/4 X 1/4 Electrovalve Parker 220V
03	1	C60000103	1/4 X 1/4 Electrovalve Parker 120V
04	2	C50010020	13.2*18.2*2.5 1/4 Teflon Gasket
05	1	C30000215	Conical Bend Adaptor 1/4 X 1/4
06	1	C30000000	T H-H-H-1/4 Mini
07	1	C30000002	Butress 1/4-3/8 Mini
08	3	C30100010	Hexagonal Nut 1/4 Pressostat
09	1	C60100045	Flowmeter UI/Netw. Brass TEF+LED
10	1	C30000220	Cone Injector 1/4
11	1	C60102020	O-Ring Flowmeter
12	1	C60102010	Front Botonera Elen
13	1	C60102040	Flow Meter Lid
14	1	C*45000001	Flow Meter Joint
15	1	C60100055	Flow Meter Connector
16	-	CESC00090	Piping Mini Control I Std&Ta

Water supply and drainage set_ ZIRCON mini 2Gr

Drawing

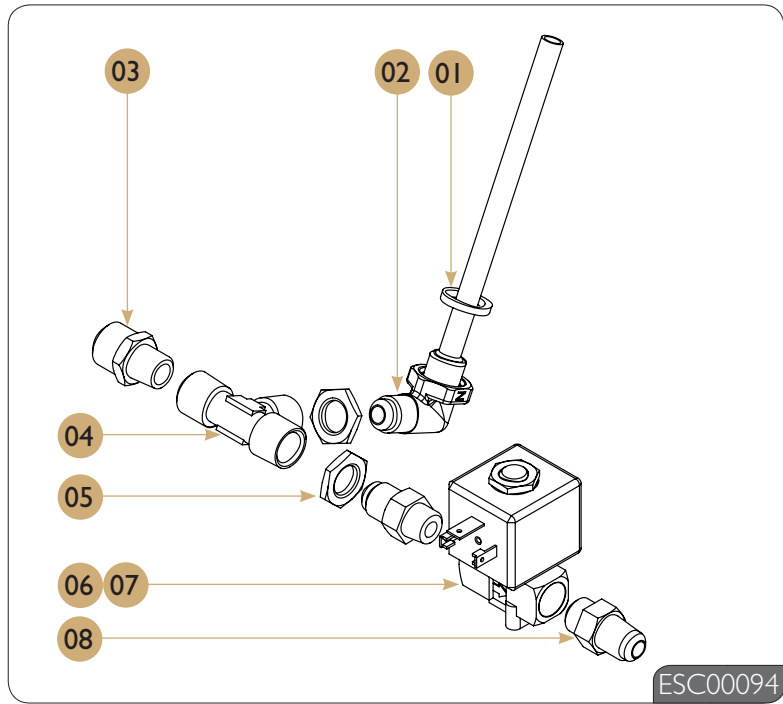


Spare parts list

POS.	PCS	Part No.	Description
01	1	C60000100	1/4 X 1/4 Electrovalve Parker 220V
02	1	C60000103	1/4 X 1/4 Electrovalve Parker 120V
03	1	C30100010	Hexagonal Nut 1/4 Pressostat
04	1	C35040101	Mini Brass Tube For Battery
05	3	C30000215	Conical Bend Adaptor 1/4 X 1/4
06	2	C35040102	4Ltrs Manifold Tube
07	2	C30000510	Conical Adaptor 1/4*1/4 Electron
08	3	C50010020	13.2*18.2*2.5 1/4 Teflon Gasket
09	2	C60100045	Flowmeter UI/Netw. Brass TEF+LED
10	2	C60102020	O-Ring Flowmeter
11	2	C60102010	Front Botonera Elen
12	2	C60102040	Flow Meter Lid
13	2	C*45000001	Flow Meter Joint
14	2	C60100055	Flow Meter Connector
15	-	CESC00098	Piping Mini Control 2 Std&Ta

Water supply and drainage set_ZIRCON mini pulser I Gr

Drawing

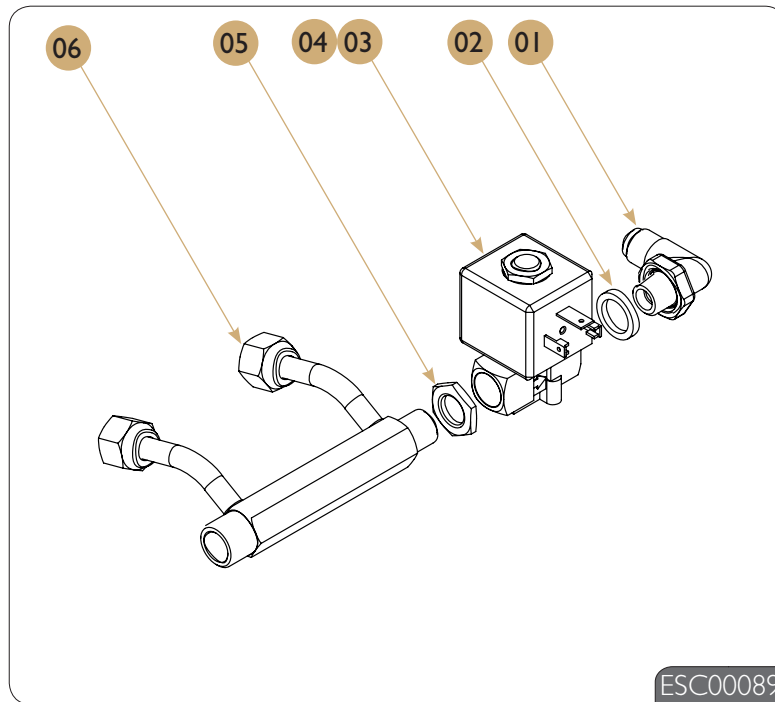


Spare parts list

POS.	PCS	Part No.	Description
01	1	C50010020	13.2*18.2*2.5 1/4 Teflon Gasket
02	1	C30000220	Cone Injector 1/4
03	1	C30000002	Buttress 1/4-3/8 Mini
04	1	C30000000	T H-H-H-1/4 Mini
05	2	C30100010	Hexagonal Nut 1/4 Pressostat
06	1	C60000100	1/4 X 1/4 Electrovalve Parker 220V
07	1	C60000103	1/4 X 1/4 Electrovalve Parker 120V
08	2	C30000510	Conical Adaptor 1/4*1/4 Electron
--	-	ESC00094	Laberinto Minipulser I Gr

Water supply and drainage set_ZIRCON mini pulser 2Gr

Drawing

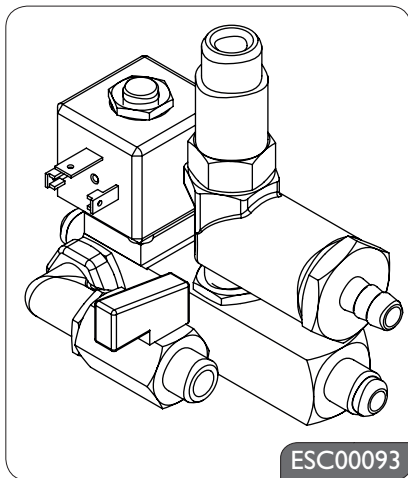
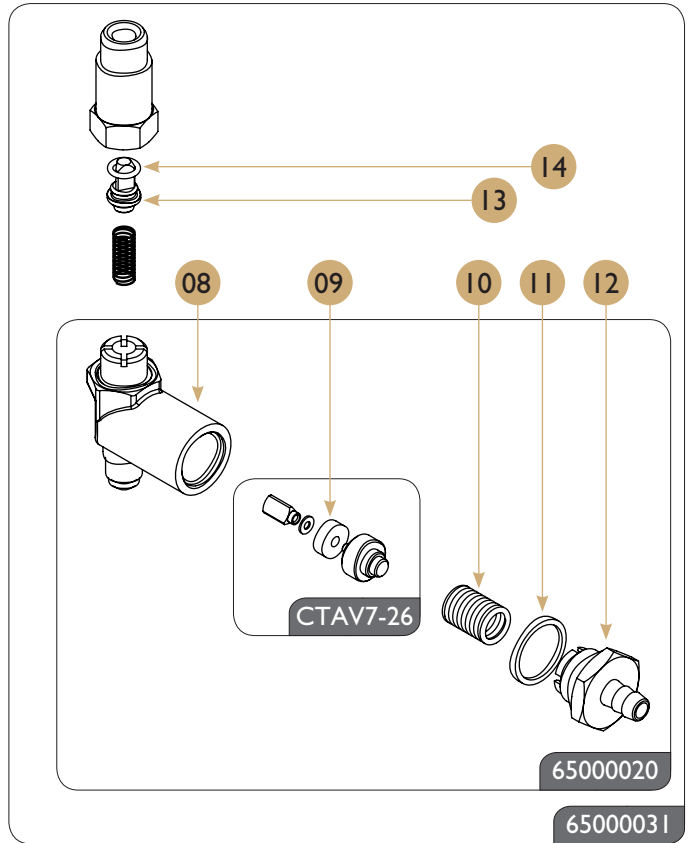
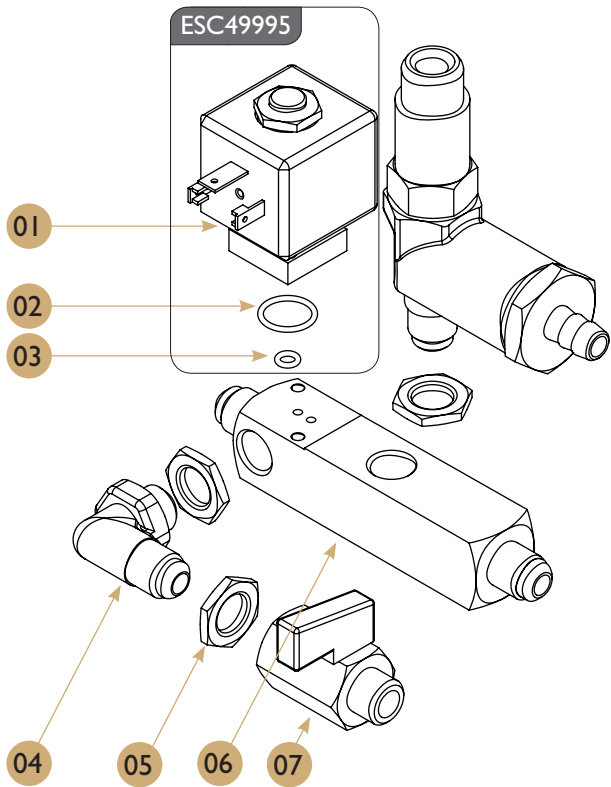


Spare parts list

POS.	PCS	Part No.	Description
01	1	C30000215	Conical Bend Adaptor 1/4 X 1/4
02	1	C50010020	13.2*18.2*2.5 1/4 Teflon Gasket
03	1	C60000100	1/4 X 1/4 Electrovalve Parker 220V
04	1	C60000103	1/4 X 1/4 Electrovalve Parker 120V
05	1	C30100010	Hexagonal Nut 1/4 Pressostat
06	1	C35040101	Mini Brass Tube For Battery
--	-	ESC00089	Laberinto Minipulser 2 Gr

Water supply and drainage set_ZIRCON 2Gr

Drawing



Water supply and drainage set_ZIRCON 2Gr

Spare parts list

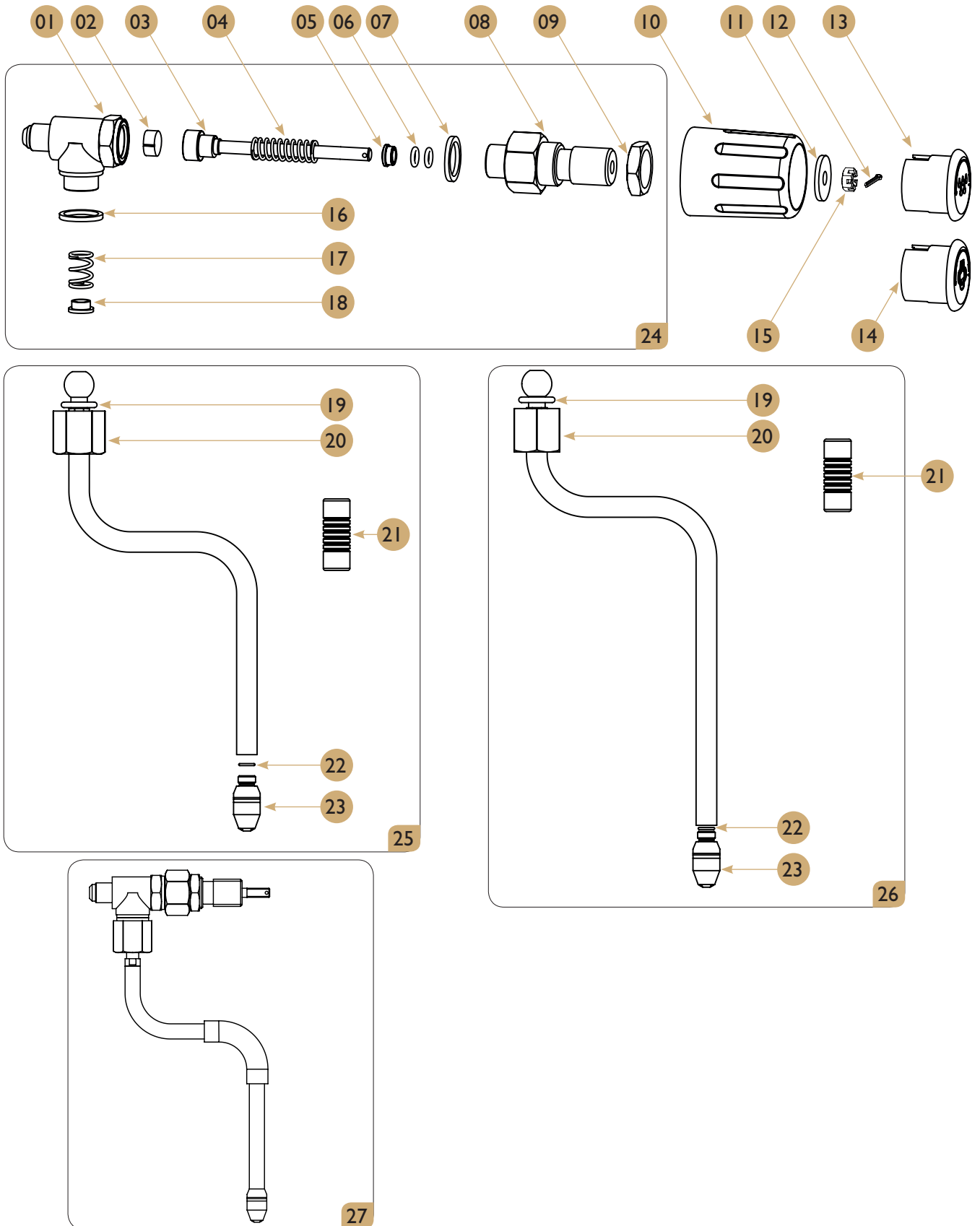
POS.	PCS	Part No.	Description
01	1	C60000105	50/60Hz 220V Solenoid Electrovalve
02	1	C50000105	Large Autofill Solenoid Gasket
03	1	C50000110	Small Autofill Solenoid Gasket
04	1	C30000215	Conical Bend Adaptor 1/4 X 1/4
05	3	C30100010	Hexagonal Nut 1/4 Pressostat
06	1	C30100033	Distributor Mc
07	1	I860016	Tap Drainage G1/4M-G1/4F Right
08	1	C30369100	Relief Valve Body
09	1	C50000020	Gasket For Motor
10	1	C55000030	Expansion Valve Spring
11	1	C50010040	21.7*25.7*2 G/C-G Teflon Gasket
12	1	C30369135	Barb Fitting 1/2 * 1/4 G/C
13	1	C30369110	HOUSING RING
14	1	C50000130	O-Ring 8 X 1.9
--	1	C65000031	Retent+Expans.Valve Set No Hole
--	1	C65000020	Expansion Valve Complete
--	1	CTAV7-26	Load Valve
--	-	ESC49995	Solenoid Plate Joint Base +
--	-	CESC00093	Water Spliter

**Important:**

When ordering a replacement for electrovalve no. 1, specify if the machine operates at 230 V or 120 V.

Steam tap

Drawing



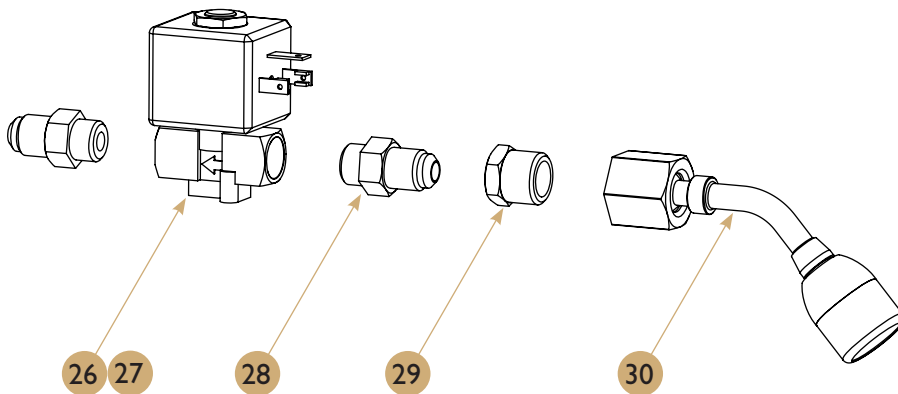
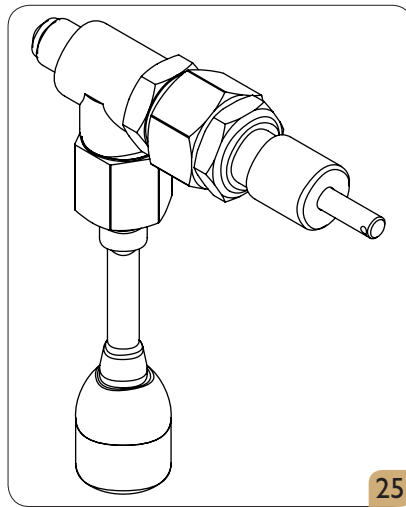
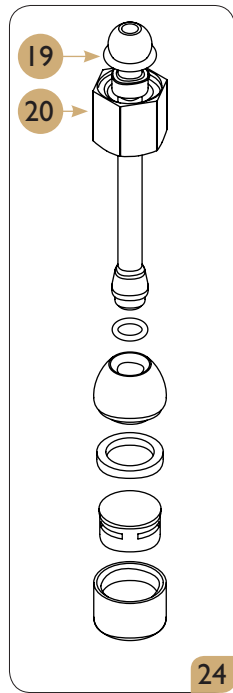
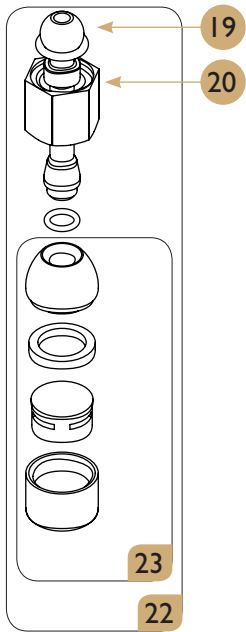
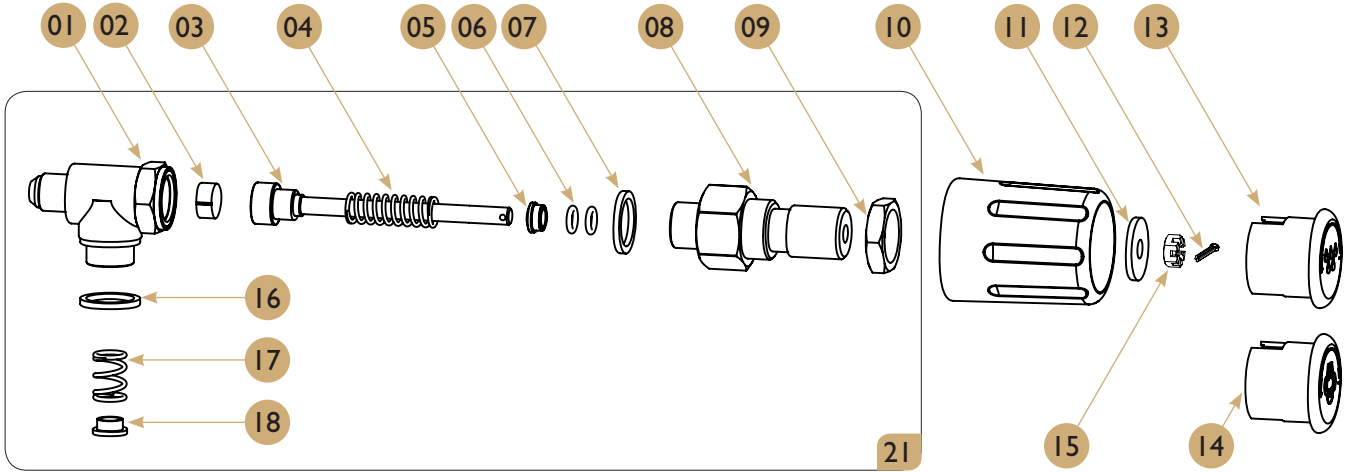
Steam tap

Spare parts list

POS.	PCS	Part No.	Description
01	1	C30370070	Tap Body
02	1	C30370060	Close Nut
03	1	C30370050	Closing Shaft M-6
04	1	C30370040	Shaft Spring
05	1	C30370065	Push Cap
06	2	C30370020	Shaft Ring
07	1	C30370030	Gasket
08	1	C30370010	Tap Fitting
09	1	C30370140	Tap Fixing Nut
10	1	C40000015	High Group Tap Knob
11	1	C25012521	Stainless Steel Knob Washer
12	1	C30370110	Water/Steam Knob Pin
13	1	C30370130	Steam Tap Knob Anagram
14	1	C30370120	Water Tap Knob Anagram
15	1	C25097960	Steam/Water Tap Nut M6-Din 979
16	1	C50010080	Gasket Tap Steam/Water Teflon
17	1	C30370076	Spring Steam/Water Tap
18	1	C30370077	Gasket Tap Steam/Water Brass
19	1	C30370075	O-Ring 12.1X2.7mm
20	1	C70000010	Nut 3/8 For Steamer
21	1	C70000035	Protection Rubber
22	1	C50010090	O-Ring 6*1
23	1	C30370195	Nozzle Steam Tap 3H M8.5 With Gaske
24	1	C15000325	Tap Steam/Water Body
25	-	C30370095	Pipe Steam Eleg./Megacrem Wo Nozzle (Spain assembled machines)
		C30370096	STEAM ARM MEGA NO BURN (China assembled machines)
26	-	C35010052	Pipe Steam Eleg./Mega Ta Wo Nozzle (Spain assembled machines)
		C 35010051	NO BURNING STEAM PIPE HIGH GROUP MEGA (China assembled machines)
27	-	C15000370	Tap Steam Eleg./Mega Comp 4H Bf

Hot water taps

Drawing



Hot water taps

Spare parts list

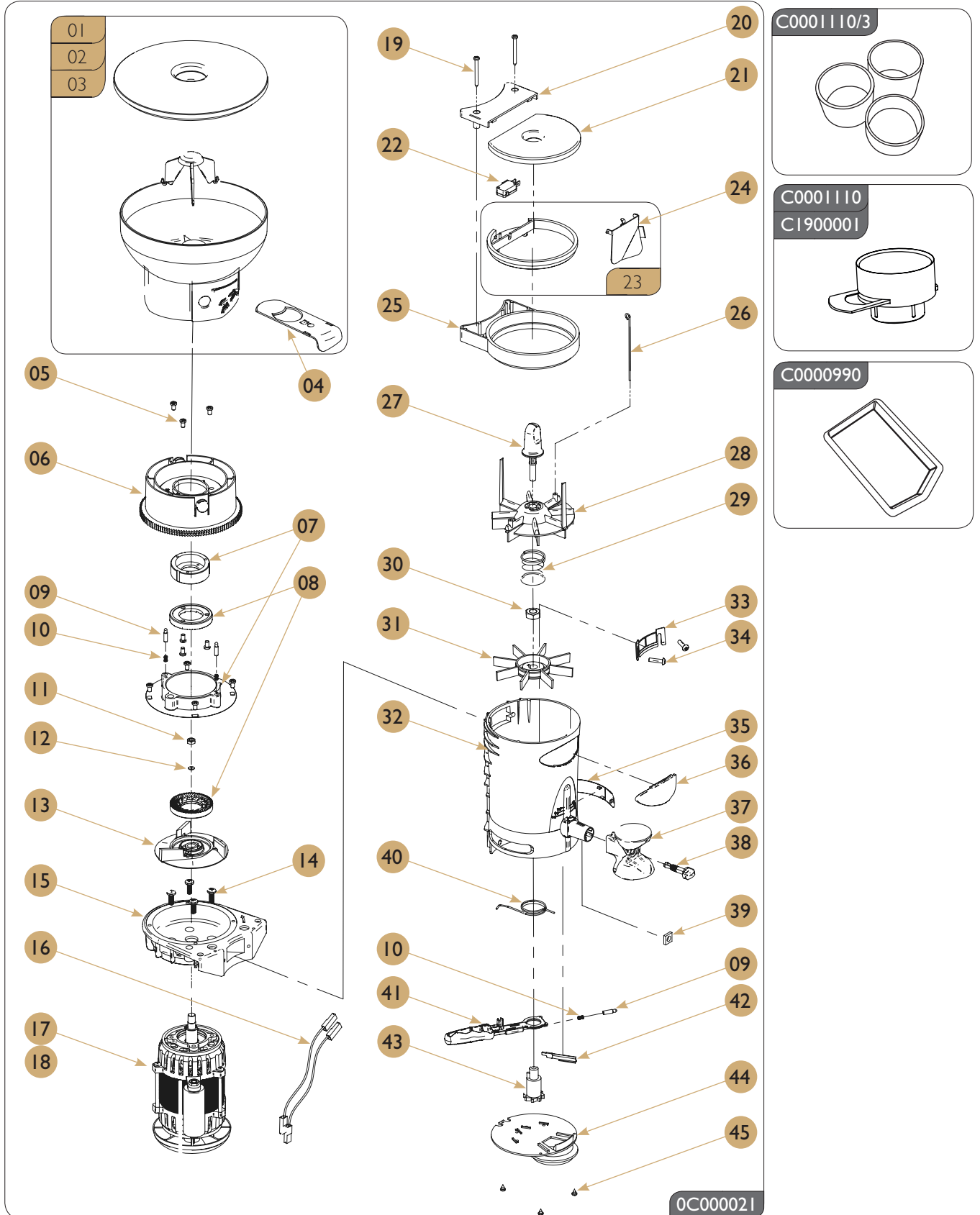
POS.	PCS	Part No.	Description
01	1	C30370070	Tap Body
02	1	C30370060	Close Nut
03	1	C30370050	Closing Shaft M-6
04	1	C30370040	Shaft Spring
05	1	C30370065	Push Cap
06	2	C30370020	Shaft Ring
07	1	C30370030	Gasket
08	1	C30370010	Tap Fitting
09	1	C30370140	Tap Fixing Nut
10	1	C40000015	High Group Tap Knob
11	1	C25012521	Stainless Steel Knob Washer
12	1	C30370110	Water/Steam Knob Pin
13	1	C30370130	Steam Tap Knob Anagram
14	1	C30370120	Water Tap Knob Anagram
15	1	C25097960	Steam/Water Tap Nut M6-Din 979
16	1	C50010080	Gasket Tap Steam/Water Teflon
17	1	C30370076	Spring Steam/Water Tap
18	1	C30370077	Gasket Tap Steam/Water Brass
19	1	C30370075	O-Ring 12.1X2.7mm
20	1	C70000010	Nut 3/8 For Steamer
21	-	C15000325	Tap Steam/Water Body
22	-	C30370080	Lanza Agua Mod Classic
23	-	C30000050	Nozzle Water Tap Complete
24	-	C35010056	Hot Water Pipe For High Group
25	-	C15000330	Tap Hot Water Complete
*26	1	C60000100	Parker Solenoid 220V Quarter
*27	-	C60000103	Parker Solenoid 110V Quarter
*28	2	C30000510	Fitting Cone 1/4 X 1/4 Electron
*29	1	C30000003	Male Female Reducer 3 / 8X1 / 4
*30	1	C35010035	Water Throwing Curve

**Note:**

Parts 21, 22, 23, 24 and 25 are for a machine with automatic water tap.

Grinder kit

Drawing



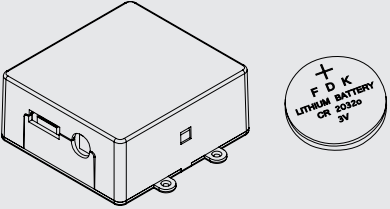
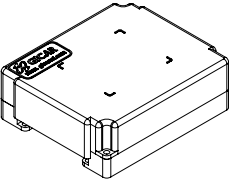
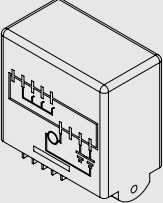
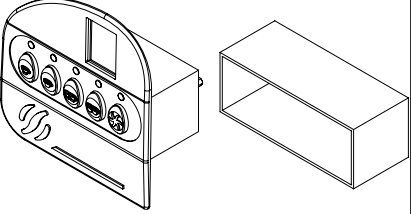
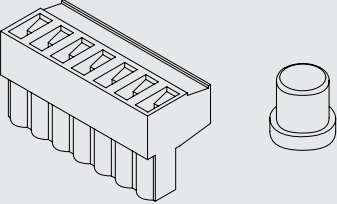
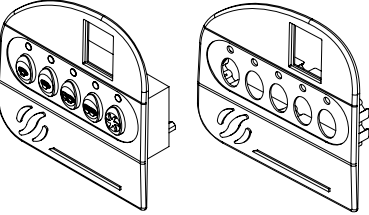
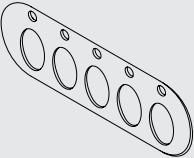
Grinder kit

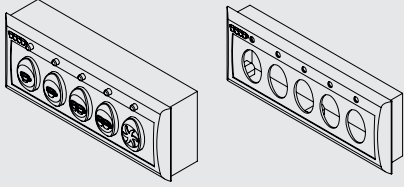
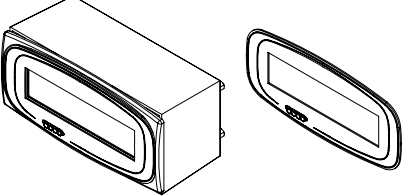
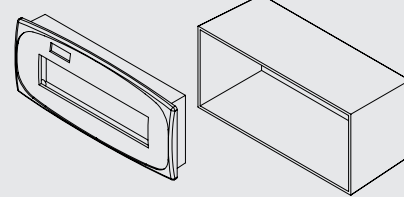
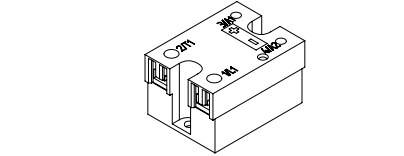
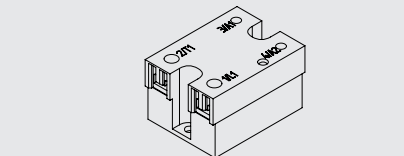
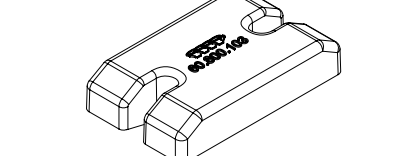
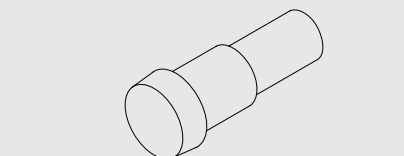
Spare parts list

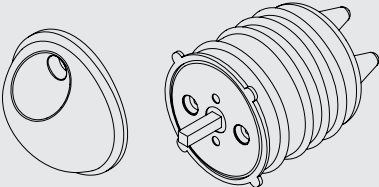
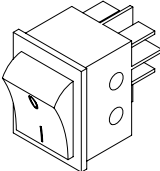
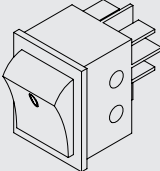
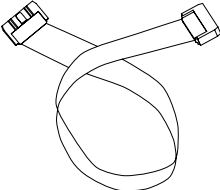
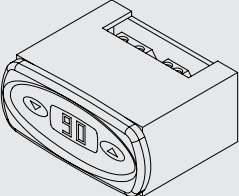
POS.	PCS.	Part No.	Description	POS.	PCS.	Part No.	Description
01	1	C0003240	Tolva Completa New Marfil 1/2 Kg	27	1	C0000250	Tuerca Regulacion
02	-	C0003250	Tolva Completa New 1Kg	28	1	C0000160	Estrella Media Y Superior
03	-	C0003260	Tolva Completa New Marfil 2Kg	29	1	C0000280	Muelle Estrella
04	1	C0003080	Lengüeta Cierre Tolva Nueva	30	1	C0000240	Tuerca M-12
05	10	C0000680	Tornillo M5 X 8 Cc	31	1	C0000150	Estrella Inferior
06	1	C0003060	Pletina Reg. Kit New	32	1	C0001600M	Dosificador 600 Gr.
07	1	C0000560	Porta Fresas Y Cabeza Zamack	33	1	C0001630	Chapa Proteccion Dedos
08	1	C0000590	Juego De Fresas D 59 Mm	34	2	C0001770	Tornillo Allen M 5X20
09	3	C0000310	Gatillo Maneta	35	1	C0001580	Tapa Lateral Dosificador Kit
10	3	C0000300	Muelle Gatillo Maneta	36	1	C0001690	Placa Cromada Expobar / Dosific.
11	1	C0000710	Tuerca M10/125 Sujeta Fresas Inferior	37	1	C0001610M	Prensacafe Giratorio
12	1	C0000720	Arandela Sujeta Fresas	38	1	C0001620	Fijacion Prensa Giratorio
13	1	C0000620N	Pala Expulsadora Grinder Kit Nuevo	39	1	C0001680	Tuerca Dosificador Cuadrada
14	4	C0000650	Tornillo M6x16 Sujecion Motor	40	1	C0000260N	Muelle Retroceso Maneta (Kit Mol.)
15	1	C0001210	Sobre Aluminio Negro	41	1	C0001640M	Maneta Dosificador 2008
16	1	C0000480	Cableado Auto Micro	42	1	C0000270	Fleje Dosificador
17	1	C0001200	Motor Grinder Kit Maq.Cafe	43	1	C0000230	Eje Trinq. Giro Dcha. 1-2 Palanca Izq.
18	1	C000120A	Motor Grinder Incorporado 110V.	44	1	C0000140	Tapa Inferior Dosificador
19	2	C0001450	Tornillo Tapeta Microinterruptor	45	3	C0000700	Tornillo Tapa Inf. Dosificador
20	1	C0000430	Tapa Micro Dosificador	--	-	C0001110	Casquillo Tolva Completo
21	1	C0000400	Tapa Dosificador Automatico	--	-	C0001110/3	Conjunto 3 Adaptadores Tolva
22	1	C0000470	Microinterruptor	--	-	C1900001	Adaptador Tolva Still
23	1	C000044C	Aro+Bandera Marfil Izq.	--	-	C0000990	Bandeja Recoge Cafe Grinder Kit
24	-	C000045B	Bandera Aluminio Grinder Kit	--	-	0C000021	Kit Grinder 220 V
25	1	C0001140	Aro Suplem.Dosificador Automat.	--	-	0C000025	Kit Grinder 110V
26	1	C0000460	Varilla Estrella				

**Note:**

- Part 07 refers to the complete set of porta-strawberries.
- Part 08 refers to the complete set of strawberries.
- Parts C0001110, C0001110 / 3 and C1900001 are adapters for different types of hopper.
- Parts with the part No. C0000990 is the coupling of the drip tray.

View	Part No.	Description
	<p>C60100034 C60101046</p>	<p>Display Unit Deluxe 3D5 Cr2032 Button Cell D20</p>
	<p>C60100410</p>	<p>Control Board 3D5 Xlc</p>
	<p>C60100200 C60100210</p>	<p>Level Regulator 240V. Salvarresist. Level Regulator 115V Salvarresist.</p>
	<p>C60100090 C60100095 C60102004</p>	<p>ZIRCON ID5 Unit C / Probe 230V ZIRCON ID5 Unit C / Probe 115V ID5 Black Box Rear Unit</p>
	<p>C60100030 C*60100019</p>	<p>Green Connector 7 Tips ID5 Button Mushroom</p>
	<p>C60102009Ne C60102009No C*60102009Ne C*60102009No</p>	<p>Botonera Negra ZIRCON Botonera Nogal ZIRCON Front Botonera Negra ZIRCON Front Botonera Nogal ZIRCON</p>
	<p>C*70000187 C*70000186 C*70000184</p>	<p>Black Button ZIRCON ZIRCON Walnut Button Black Button Front ZIRCON Walnut Button Front ZIRCON</p>

View	Part No.	Description
	<p>C60100300 C60102013</p>	<p>Button Button Front</p>
	<p>C60101022 C*60100024</p>	<p>Display Control ZIRCON Caratula Display ZIRCON (Control)</p>
	<p>C60102014 C60102015</p>	<p>Front Display ZIRCON Caja Trasera Display ZIRCON</p>
	<p>C60800101</p>	<p>Static Relay 3-32</p>
	<p>C60800100</p>	<p>Static Relay 90-280</p>
	<p>C60800103</p>	<p>Relay Protection Cover</p>
	<p>C60901001</p>	<p>Pilot Light 55 Cm</p>

View	Part No.	Description
	C4000050 C6090001 C6090002 C60900010	Main Switch Knob Switch Position 1 Poles 2 16A Switch Position 1 3/4Gr 20A Switch Position 4 Poles
	C60900043	Black Button
	C60900035	Bright Red Square Button
	C60100038 C60100039 C60100036	Wire L.600 Mm. Button Wire L.800 Mm. Button Lead L1100 Mm. Button
	C10200125 C10200120	Pid Digital Thermostat 230 V. Pid Digital Thermostat 115V

For the warranty to be valid, the conditions for maintenance must have been followed in accordance with our instructions, proper care must have been taken and any claim against the warranty must be sent without delay.

The equipment in question may not be used while awaiting service if there is any risk that the damage or defect would worsen.

The warranty will not cover the consumption of supplies such as glassware, normal maintenance such as the cleaning of filters, water contamination, limescale or problems associated with incorrect voltages, pressure or amounts of water.

The warranty will not cover damages of defects caused by the incorrect handling and operation of the appliance.

TECHNICAL SUPPORT

Contact your supplier

Your Dealer

crem[®]
INTERNATIONAL

www.creminternational.com

MADE IN SPAIN