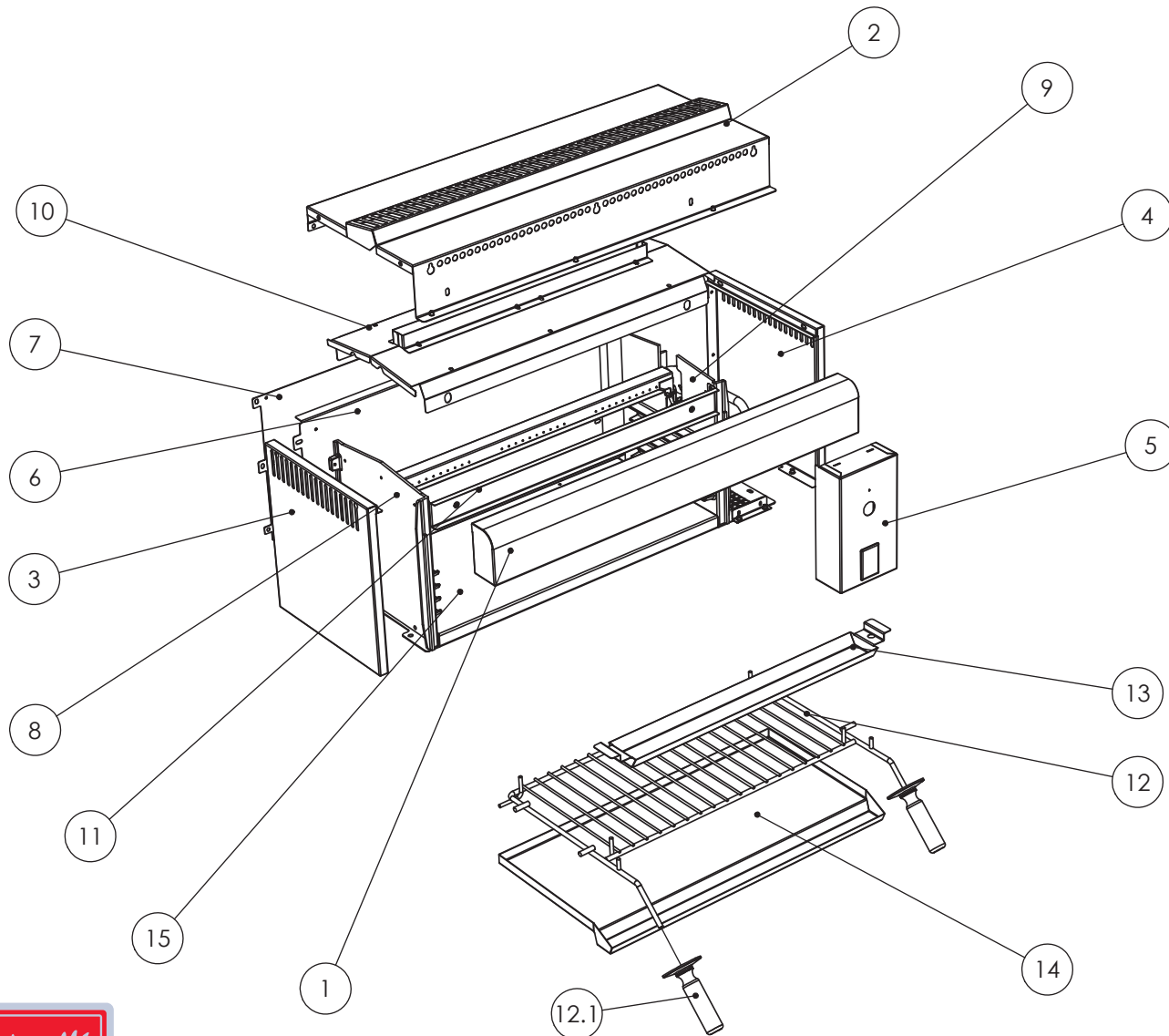


DOMINATOR PLUS

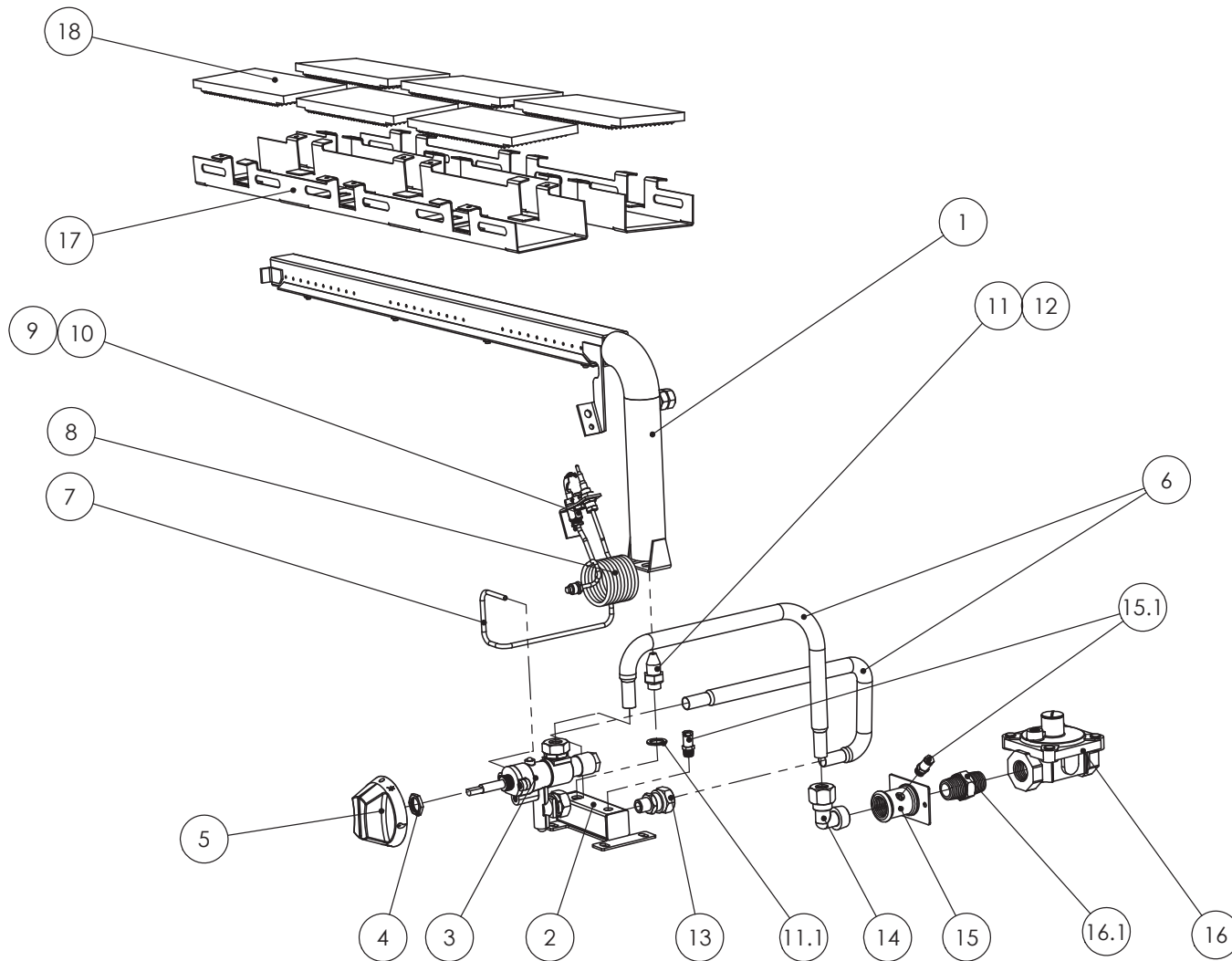


| ITEM | DESCRIPTION | SPARES No |
|------|-----------------------|-----------|
| 1 | TOP FRONT PANEL | 535990006 |
| 2 | OUTER TOP PANEL | 535990007 |
| 3 | LH OUTER SIDE PANEL | 531562185 |
| 4 | RH OUTER SIDE PANEL | 531562195 |
| 5 | CONTROL PANEL | 535990008 |
| 6 | INNER BACK PANEL | 535990009 |
| 7 | OUTER BACK PANEL | 535990010 |
| 8 | LH INNER SIDE PANEL | 535930100 |
| 9 | RH INNER SIDE PANEL | 535930110 |
| 10 | INNER TOP PANEL | 535990011 |
| 11 | FRONT TIE PLATE | 535990012 |
| 12 | WIRE GRID C/W HANDLES | 535990013 |
| 12.1 | HANDLE ASSEMBLY | 535990010 |
| 13 | DRIP TROUGH | 531560220 |
| 14 | DRIP TRAY | 531562210 |
| 15 | BASE PANEL | 535990014 |



| Issue | Alteration | Date | Product | Document Reference |
|-------|---------------|----------|---------|--------------------|
| A | Initial Issue | 09/08/11 | G3532 | AD48971 |

DOMINATOR PLUS



| ITEM | DESCRIPTION | SPARES No |
|------|---------------------------------------|-----------|
| 1 | GRILL BURNER ASSEMBLY | 535990000 |
| 2 | MANIFOLD | 531600210 |
| 3 | GRILL CONTROL VALVE NAT GAS & PROPANE | 537560020 |
| 4 | CONTROL VALVE FIXING NUT | 535990001 |
| 5 | CONTROL KNOB | 535310010 |
| 6 | Ø12 FLEXI PIPE C/W OLIVES | 535410003 |
| 7 | Ø4 FLEXI PIPE C/W OLIVES | 535990015 |
| 8 | THERMOCOUPLE | 531600040 |
| 9 | GRILL PILOT ASSEMBLY NAT GAS No 30 | 531600050 |
| 9.1 | PILOT ORIFICE NAT GAS No 30 | 531600070 |
| 10 | GRILL PILOT ASSEMBLY PROPANE No 19 | 531600055 |
| 10.1 | PILOT ORIFICE PROPANE No 19 | 531600075 |
| 11 | GRILL BURNER INJECTOR NAT GAS | 531630010 |
| 11.1 | GRILL INJECTOR SEALING WASHER | 535990002 |
| 12 | GRILL BURNER INJECTOR PROPANE | 531630015 |
| 13 | MANIFOLD PIPE COUPLING | 531600120 |
| 14 | INLET PIPE ELBOW | 531600030 |
| 15 | INLET SOCKET | 535990003 |
| 15.1 | TEST NIPPLE | 531600200 |
| 16 | 1/2" GOVERNOR C/W FITTING | 531562410 |
| 16.1 | 1/2" FITTING | 535500020 |
| 17 | BURNER PLAQUE HOLDER | 535930153 |
| 18 | BURNER PLAQUE (SET OF 6) | 535930155 |
| 18.1 | BURNER PLAQUE (SINGLE) | 531600010 |
| | CONVERSION KIT NAT GAS TO PROPANE | 535990004 |
| | CONVERSION KIT PROPANE TO NAT GAS | 535990005 |



| Issue | Alteration | Date | Product | Document Reference |
|-------|---------------|----------|---------|--------------------|
| A | Initial Issue | 09/08/11 | G3532 | AD48972 |