

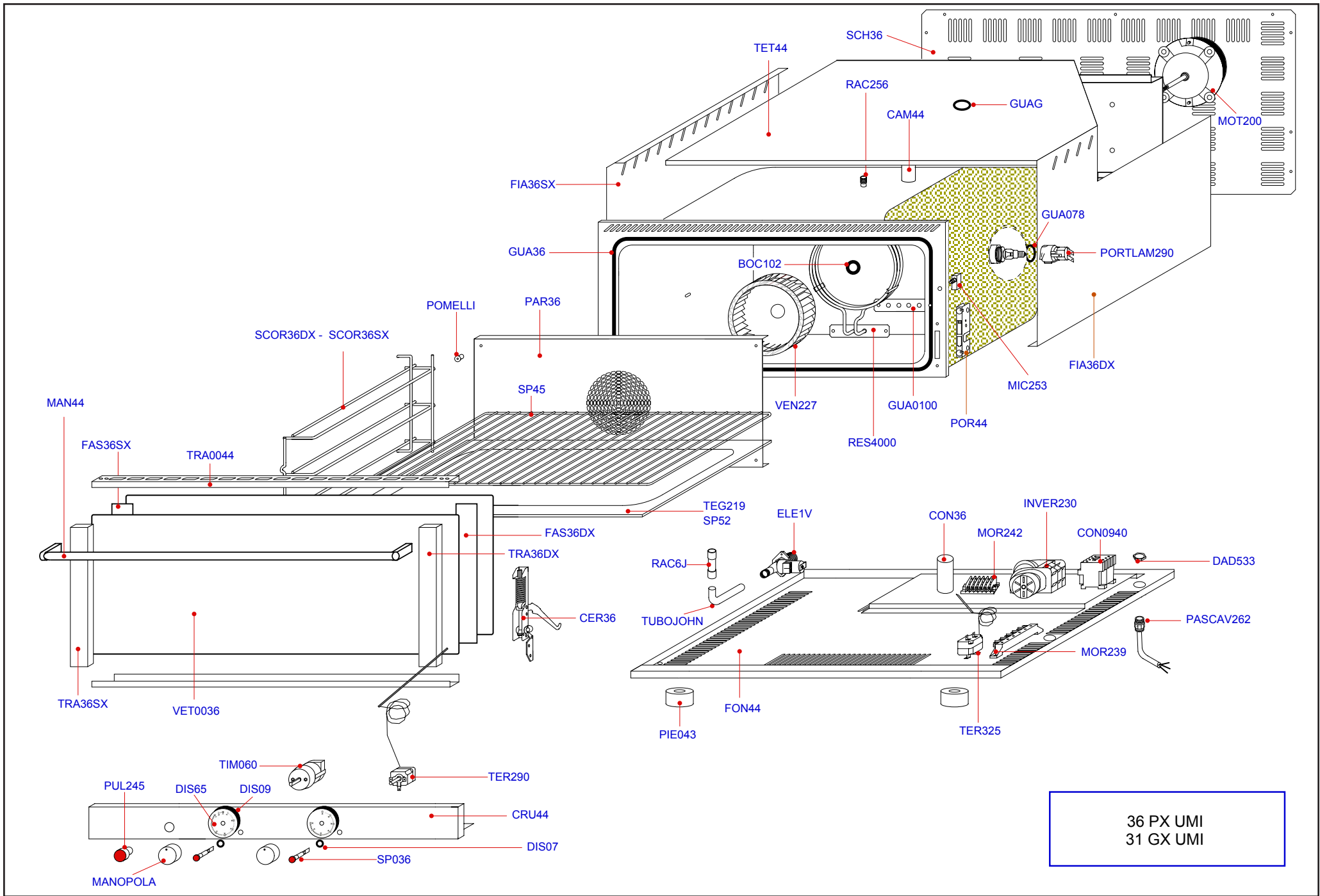
# SPARE PARTS PRICE LIST 2006

**36 PX UMI**

**31 GX UMI**



The "Seal of Control" applied on Garbin Ovens  
is the proof of the test effected and guarantees the quality of our products



◆ Mod. 36 PX UMI ◆ 31 GX UMI ◆

Cod.	Descrizione articoli ◆ Description of items ◆ Description articles ◆ Beschreibung Artikel ◆ Descripción artículos
BOC102	GUARNIZIONE TEFLON ◆ <b>TEFLON GASKET</b> ◆ GARNITURE DE TEFLON ◆ <b>TEFLON DICHTUNG</b> ◆ GUARNICION EN TEFLON
CAM44	SFIATO VAPORI ◆ <b>FUMES VENT</b> ◆ FISSURE DES VAPEURS ◆ <b>DUNST LUFTLOCH</b> ◆ CANERIA POR HUMOS
CER36	CERNIERA ◆ <b>HINGE</b> ◆ CHARNIÈRE ◆ <b>SCHARNIER</b> ◆ BISAGRA
CON36	CONDENSATORE 5 µF ◆ <b>CAPACITOR 5 µF</b> ◆ CONDENSATEUR 5 µF ◆ <b>KONDENSATOR 5 µF</b> ◆ CONDENSADOR 5 µF
CON0940	TELERUTTORE ◆ <b>CONTROL SWITCH</b> ◆ TÉLERUPTEUR ◆ <b>SCHÜTZ</b> ◆ TÉLERUPTOR
CRU44	CRUSCOTTO ◆ <b>INSTRUMENT PANEL</b> ◆ BANDEAU DE COMMANDES ◆ <b>BEDIENBLLENDE</b> ◆ PANEL DE MANDOS
DAD534	DADO NYLON PG13,5 ◆ <b>NUT NYLON PG13,5</b> ◆ ECROU NYLON PG13,5 ◆ <b>MUTTER NYLON PG13,5</b> ◆ TUERCA NYLON PG13,5
DIS6	DISTANZIALE D 6 ◆ <b>SPACER D 6</b> ◆ ENTRETOISE D 6 ◆ <b>ABSTANDHALTER D 6</b> ◆ ESPACIADOR D 6
DIS07	GUARNIZIONE NYLON D 18 ◆ <b>NYLON GASKET D 18</b> ◆ JOINT NYLON D 18 ◆ <b>NYLONDICHTUNG D 18</b> ◆ GUARNICIÓN NAILON D18
DIS09	GUARNIZIONE NYLON D 65 ◆ <b>NYLON GASKET D 65</b> ◆ JOINT NYLON D 65 ◆ <b>NYLONDICHTUNG D 65</b> ◆ GUARNICIÓN NAILON D 65
DIS65	DISCHETTO SERIGRAFATO D 65 ◆ <b>SILK SCREEN PRINTED DISC D 65</b> ◆ DISQUETTE SÉRIGRAPHIÉE D 65 ◆ <b>SERIGRAPHIERTE SCHEIBE D 65</b> ◆ DISCO SERIGRAFADO D 65
ELE1V	ELETTROVALVOLA 1 VIA ◆ <b>SOLENOID VALVE - 1-WAY</b> ◆ ELECTROVANNE 1 VOIE ◆ <b>MAGNETVENTIL - 1-WEG</b> ◆ ELECTROVALVULA 1 VÍA
FAS36DX	FASCIA PORTA DESTRA ◆ <b>DOOR PLATE STRIP - RIGHT</b> ◆ BANDE PORTE - DROITE ◆ <b>TÜR-BLECHSTREIFEN RECHTS</b> ◆ FAJA PUERTA DERECHA
FAS36SX	FASCIA PORTA SINISTRA ◆ <b>DOOR PLATE STRIP - LEFT</b> ◆ BANDE PORTE - GAUCHE ◆ <b>TÜR-BLECHSTREIFEN LINKS</b> ◆ FAJA PUERTA IZQUIERDA
FIA36DX	FIANCO DESTRO ◆ <b>RIGHT SIDE</b> ◆ CÔTÉ DROIT ◆ <b>RECHTE SEITE</b> ◆ LATERAL DERECHO
FIA36SX	FIANCO SINISTRO ◆ <b>LEFT SIDE</b> ◆ CÔTÉ GAUCHE ◆ <b>LINCHE SEITE</b> ◆ LATERAL IZQUIERDA
FON44	FONDO LAMIERA ZINCATA ◆ <b>GALVANISED SHEET BOTTOM</b> ◆ FOND EN TÔLE ZINGUÉE ◆ <b>BODEN VERZINKTES BLECH LÜFTERRADSCHUTZGITTER</b> ◆ BASE PLANCHA GALVANIZADA
GUA0100	GUARNIZIONE ◆ <b>GASKET</b> ◆ JOINT ◆ <b>DICHTUNG</b> ◆ BURLETE
GUA078	GUARNIZIONE LAMPADA ◆ <b>LAMP GASKET</b> ◆ JOINT LAMPE ◆ <b>LAMPENDICHTUNG</b> ◆ GUARNICION LÁMPARA
GUA36	GUARNIZIONE PORTA ◆ <b>DOOR RUBBER GASKET</b> ◆ JOINT PORTE INTERNE ◆ <b>DICHTUNG INNENTÜR</b> ◆ BURLETE PUERTA
GUAG	GUARNIZIONE CAMINO - GRANDE ◆ <b>CHIMNEY GASKET - BIG</b> ◆ JOINT CHEMINÉE - GRAND ◆ <b>GROSSE SCHORNSTEINDICHTUNG</b> ◆ GUANICIÓN CHIMENEA - GRANDE
INVER230	TEMPORIZZATORE ◆ <b>TIMER</b> ◆ TEMPORISATEUR ◆ <b>ZEITSCHALTUHR</b> ◆ TEMPORIZADOR
MAN44	MANIGLIA ◆ <b>HANDLE</b> ◆ MANETTE ◆ <b>GRIFF</b> ◆ MANECILLA
MANOPOLA	MANOPOLA ◆ <b>KNOB</b> ◆ MANETTE ◆ <b>BEDIENKNOPF</b> ◆ EMPUÑADURA
MIC253	MICROINTERRUTTORE PORTA ◆ <b>DOOR MICRO-SWITCH</b> ◆ MINIRUPTEUR PORTE ◆ <b>MIKROSCHALTER TÜR</b> ◆ MICROINTERRUPTOR PUERTA
MOR239	MORSETTIERA ALIMENTAZIONE ◆ <b>SUPPLY TERMINAL BOARD</b> ◆ BORNE ALIMENTATION ◆ <b>VERSORGUNGSKLEMMENLEISTE</b> ◆ BORNERA DE ALIMENTACIÓN
MOR242	MORSETTIERA DI DERIVAZIONE ◆ <b>BRANCH TERMINAL BOARD</b> ◆ BORNE DE DÉRIVATION ◆ <b>ABZWEIGUNGSKLEMMENLEISTE</b> ◆ BORNERA DE DERIVACIÓN
MOT200	MOTORE ◆ <b>MOTOR</b> ◆ MOTEUR ◆ <b>MOTOR</b> ◆ MOTOR
PAR36	PARAVENTOLA ◆ FAN COVER ◆ PROTECTION DU VENTILATEUR ◆ WINDSCHUTZ ◆ PROTECCION VENTILADOR
PASC262	PASSACAVO ◆ <b>CABLE GUIDE</b> ◆ PASSE CABLE ◆ <b>KABEL FÜHRUNG</b> ◆ AISCADOR PASAPANEL
PIE043	PIEDINO ◆ <b>FOOT</b> ◆ PIED ◆ <b>FUSS</b> ◆ PIE
POMELLI	POMELLO ◆ <b>KNOB</b> ◆ POMMEAU ◆ <b>KNAUF</b> ◆ TIRADOR
POR44	PORTARULLINO PER CERNIERA ◆ <b>PIVOT HOLDER FOR HINGE</b> ◆ PORTE AIGUILLE DE ROULEMENT POUR CHARNIÈRE ◆ <b>ROLLENTRÄGER FÜR SCHARNIER</b> ◆ PORTA PERNO PARA BISAGRA
PORTLAM290	PORTALAMPADA ◆ <b>LAMPHOLDER</b> ◆ PORTE-LAMPE ◆ <b>LAMPENFASSUNG</b> ◆ PORTALÁMPARAS
PUL245	PULSANTE LUMINOSO ◆ <b>BRIGHT BUTTON</b> ◆ BOUTON-POUSSOIR LUMINEUX ◆ <b>LEUCHTTASTE</b> ◆ PULSADOR LUMINOSO
RAC256	RACCORDO INTERMEDIO ◆ <b>INTERMEDIATE CONNECTION</b> ◆ RACCORD INTERMÉDIAIRE ◆ <b>INTERMEDIÄRES VEBINDUNGSGLIED</b> ◆ CONEXIÓN INTERMEDIA
RAC6J	RIDUZIONE INTERMEDIA ◆ <b>INTERMEDIATE REDUCTION</b> ◆ REDUCTION INTERMÉDIAIRE ◆ <b>INTERMEDIÄRES UNTERSETZUNGSGETRIEBE</b> ◆ REDUCCIÓN INTERMEDIA
RES4000	RESISTENZA 2000W+2000W V230 ◆ <b>HEATING ELEMENT 2000W +2000W V230</b> ◆ RÉSISTANCE 2000W+2000W V230 ◆ <b>WIDERSTAND 2000W+2000W V230</b> ◆ RESISTENCIA 2000W+2000W V230
SCH36	SCHIENA ◆ <b>GALVANISED</b> ◆ DOS ◆ <b>RÜCKENTEIL</b> ◆ TRASERA
SCO36DX	SCORRIGRIGLIA DESTRA ◆ <b>RIGHT PAN SUPPORT</b> ◆ GRILLE LATÉRALE DROITE ◆ <b>RECHTES SEITLICHES GITTER</b> ◆ REJILLA LATERAL DERECHA
SCO36SX	SCORRIGRIGLIA SINISTRA ◆ <b>LEFT PAN SUPPORT</b> ◆ GRILLE LATÉRALE GAUCHE ◆ <b>LINKES SEITLICHES GITTER</b> ◆ REJILLA LATERAL IZQUIERDA
SP036	SEGNALATORE ROSSO ◆ <b>RED INDICATOR</b> ◆ SIGNALEUR ROUGE ◆ <b>ROTE LEUCHTANZEIGE</b> ◆ INDICADOR ROJO
SP45	GRIGLIA IN ACCIAIO 1/1 GN ◆ <b>STEEL GRILL 1/1 GN</b> ◆ GRILLE EN ACIER 1/1 GN ◆ <b>STAHLGITTERROST 1/1 GN</b> ◆ PARRILLA DE ACERO 1/1 GN
SP52	TEGLIA 1/1 GN H20 ◆ <b>BAKING-PAN 1/1 GN H20</b> ◆ PLATEAU 1/1 GN H20 ◆ <b>BACKFORM 1/1 GN H20</b> ◆ BANDEJA 1/1 GN H20
TEG219	TEGLIA ◆ <b>TRAY</b> ◆ BAC ◆ <b>BACKFORM</b> ◆ BANDEJA
TER290	TERMOSTATO 0-290 °C ◆ <b>THERMOSTAT 0-290 °C</b> ◆ THERMOSTAT 0-290 °C ◆ <b>THERMOSTAT 0-290 °C</b> ◆ TERMOSTATO 0-290 °C
TER325	TERMOSTATO SICUREZZA ◆ <b>SAFETY THERMOSTAT</b> ◆ THERMOSTAT DE SÉCURITÉ ◆ <b>SICHERHEITSTHERMOSTAT</b> ◆ TERMOSTATO DE SEGURIDAD
TET44	TETTO ◆ <b>COVER</b> ◆ TOIT ◆ <b>BEDECKUNG</b> ◆ TECHO
TIM060	TEMPORIZZATORE 60' ◆ <b>TIMER 60'</b> ◆ TEMPORISATEUR 60' ◆ <b>ZEITSCHALTUHR 60'</b> ◆ TEMPORIZADOR 60'
TRA0044	PROFILO PORTA ◆ <b>DOOR PROFILE</b> ◆ PROFIL PORTE ◆ <b>TÜRRAHMEN</b> ◆ PERFIL PUERTA
TRA36DX	TRAVERSO PORTA DX ◆ <b>RIGHT DOOR GIRDER</b> ◆ ENTRETOISE DROITE PORTE ◆ <b>RECHTER RIEGEL</b> ◆ TRAVESERO DERECHO PUERTA
TRA36SX	TRAVERSO PORTA SX ◆ <b>LEFT DOOR GIRDER</b> ◆ ENTRETOISE GAUCHE PORTE ◆ <b>LINKER RIEGEL ZUR TÜR</b> ◆ TRAVESERO IZQUIERDO PUERTA
TUBOJOHN	TUBO TRASPARENTE ◆ TRASPARENT TUBE ◆ TUBE TRASPARENT ◆ DURCHSICHTIGES ROHR ◆ TUBO TRASPARENTE
VEN227	VENTOLA ◆ <b>FAN</b> ◆ VENTILATEUR ◆ <b>LÜFTERRAD</b> ◆ VENTILADOR
VET0036	VETRO SERIGRAFATO INTERNO/ESTERNO