

RFE33 SERVICE PARTS

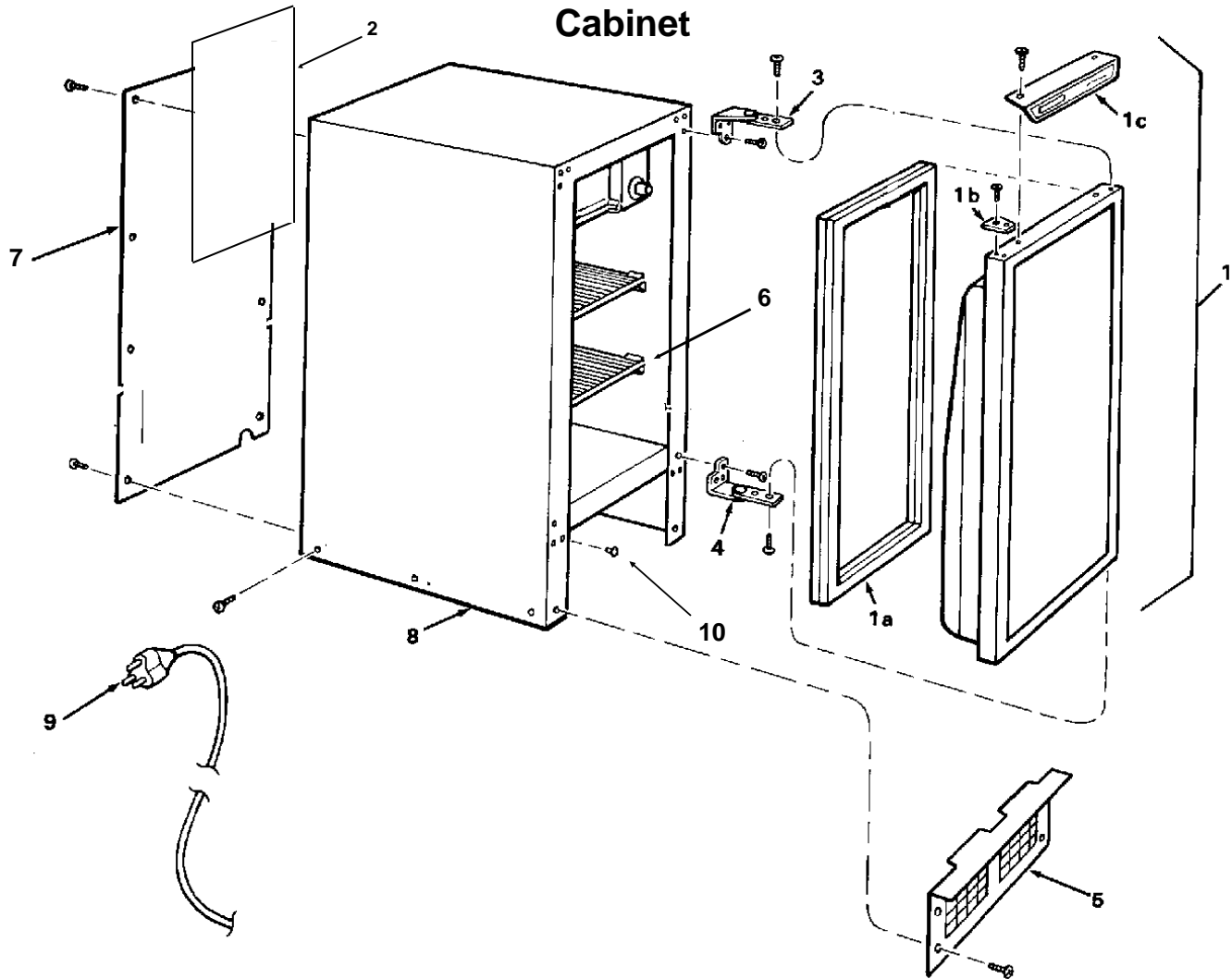
This is the parts list for the RFE33 Refrigerator.
It covers all models of the refrigerator, so be
certain to check the model and serial number
before ordering parts.

Table of Contents

Cabinet	page 2
Freezing compartment	page 3
Condensing unit	page 4
Wiring Diagrams	page 5

RFE33 SERVICE PARTS

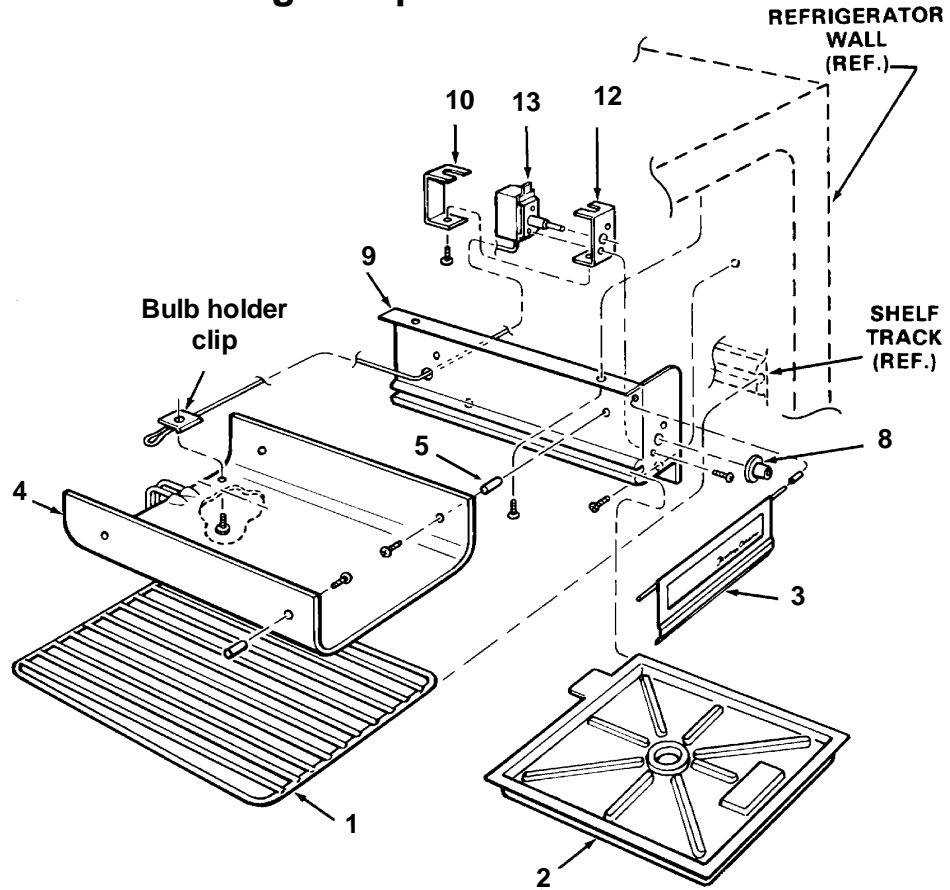
Cabinet



Item Number	Part Number	Description	Item Number	Part Number	Description
1	A35364-007	Door with alum. trim (white panel)	6	02-2489-02	Shelf
1a	13-0825-01	Gasket	7	A35546-001	Back panel
1b	15-0648-02	Left side filler plate	8	A29068-022	Cabinet & liner
	15-0648-01	Right side filler plate	9	12-1638-09	Power cord
	03-1418-24	Screw for alum door	10	02-2481-01	Plug button
	03-1418-40	Screw for brass door	11	02-3081-02	Door rod - top
1c	A29044-001	Handle, alum	12	02-3081-01	Door rod - bottom
	03-1607-01	Screw for alum door			
	15-0731-01	Emblem label (white)			
2	02-3256-01	Insulation & bag			
3	15-0653-01	Hinge			
4	15-0653-02	Hinge			
	03-1418-24	Screw for alum door			
5	02-2243-02	Kickplate			

RFE33 SERVICE PARTS

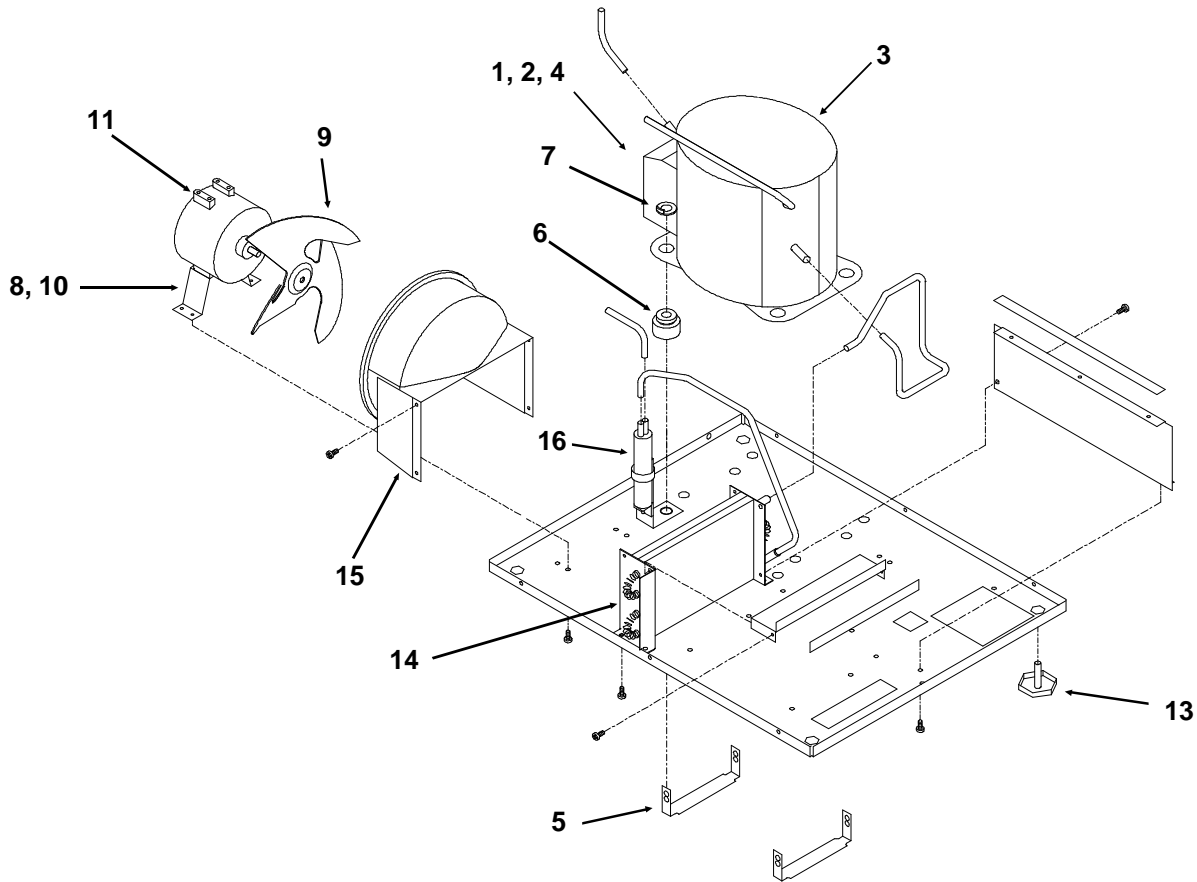
Freezing Compartment



Item Number	Part Number	Description
1	02-2489-02	Shelf
2	02-2506-01	Drip pan
3	02-2507-01	Freezing compartment door
4	A29423-001	Evaporator
5	02-2505-01	Spacer
6	03-1611-04	Screw
7	A35548-001	Suction line (not illustrated)
8	15-0657-01	Knob
9	02-2823-01	Thermostat housing
	03-1611-01	Screw
10	A32074-001	Cover, goes with item 12
11	03-1404-33	Screw
12	A32073-001	Base, goes with item 10
13	11-0442-21	Thermostat
	12-1213-06	Bushing
	13-0557-00	Grommet

RFE33 SERVICE PARTS

Condensing Unit



Item Number	Part Number	Description
1	18-8802-52	Overload
2	18-8802-51	Relay
3	18-8802-21	Compressor
4	18-8802-53	Terminal Cover
5	A35632-001	Bracket, compressor mounting
6	18-8715-01	Grommet
7	02-2497-01	Clip
8	03-1531-07	Screw
9	18-8713-01	Blade, fan
10	A28798-001	Bracket, mounting
11	12-2454-01	Fan motor
12	03-1404-08	Screw
13	03-1608-01	Leveler, Leg
14	18-8712-01	Condenser
15	02-2871-01	Fan shroud
16	02-3490-01	Drier

RFE33 SERVICE PARTS

Wiring Diagram

