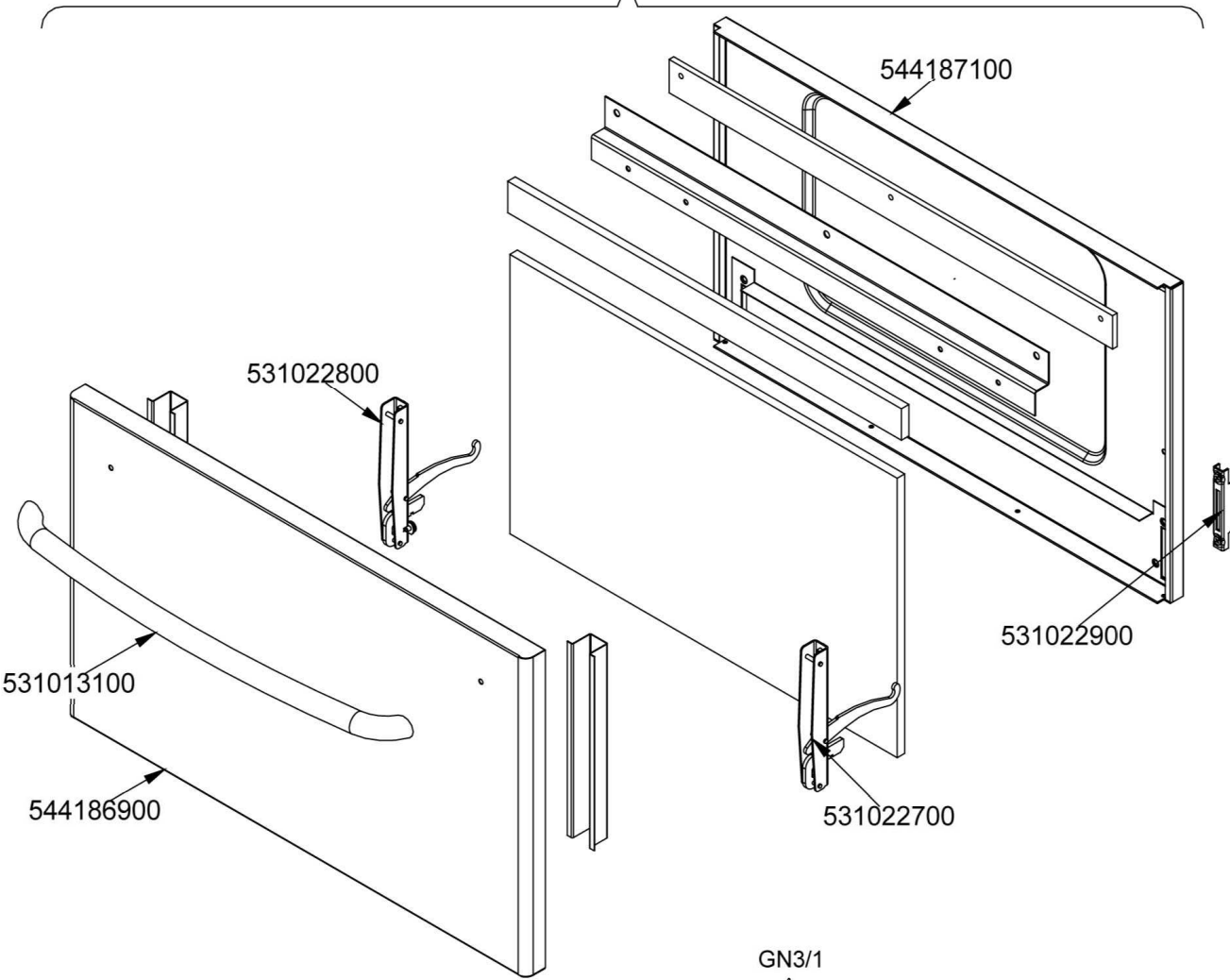
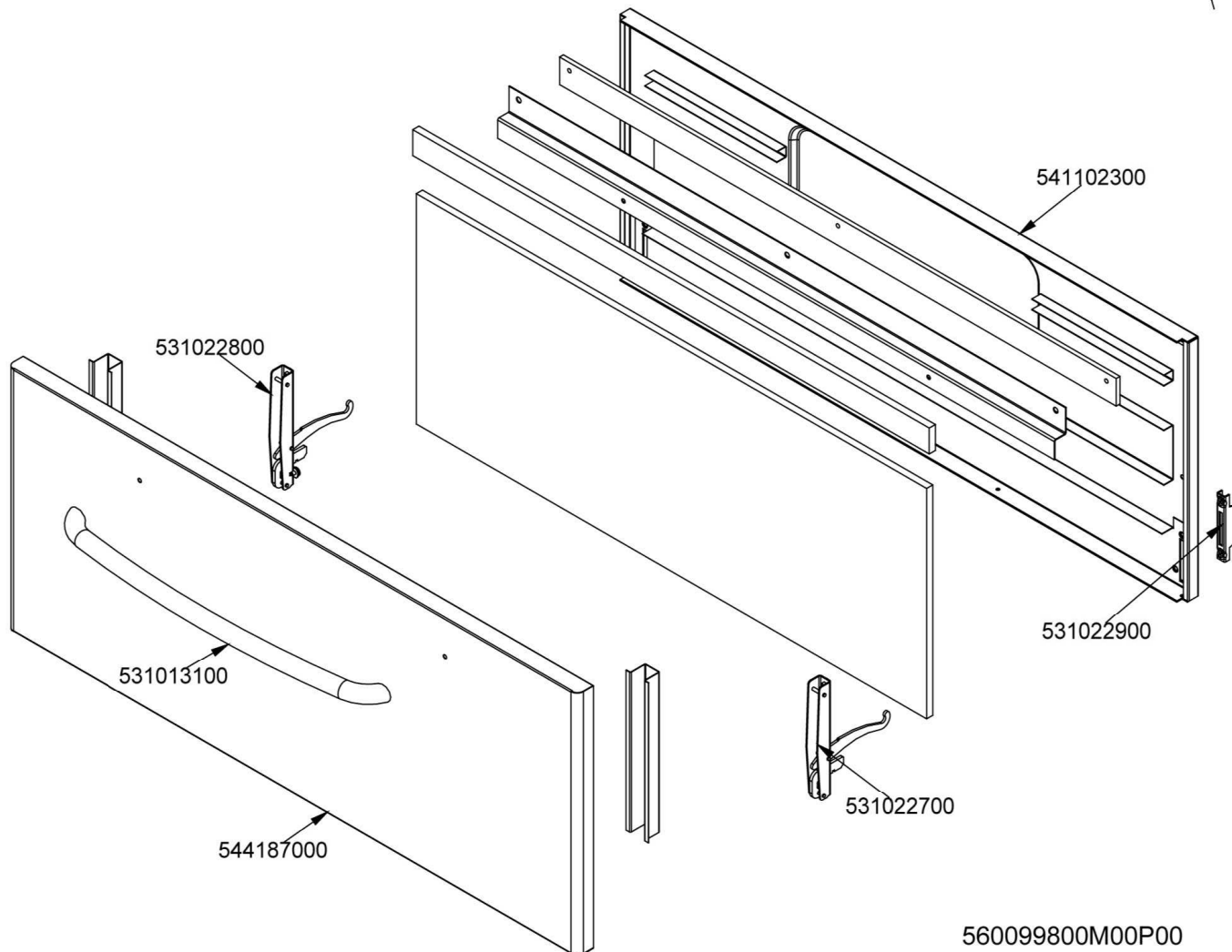


GN2/1

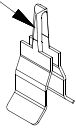


GN3/1

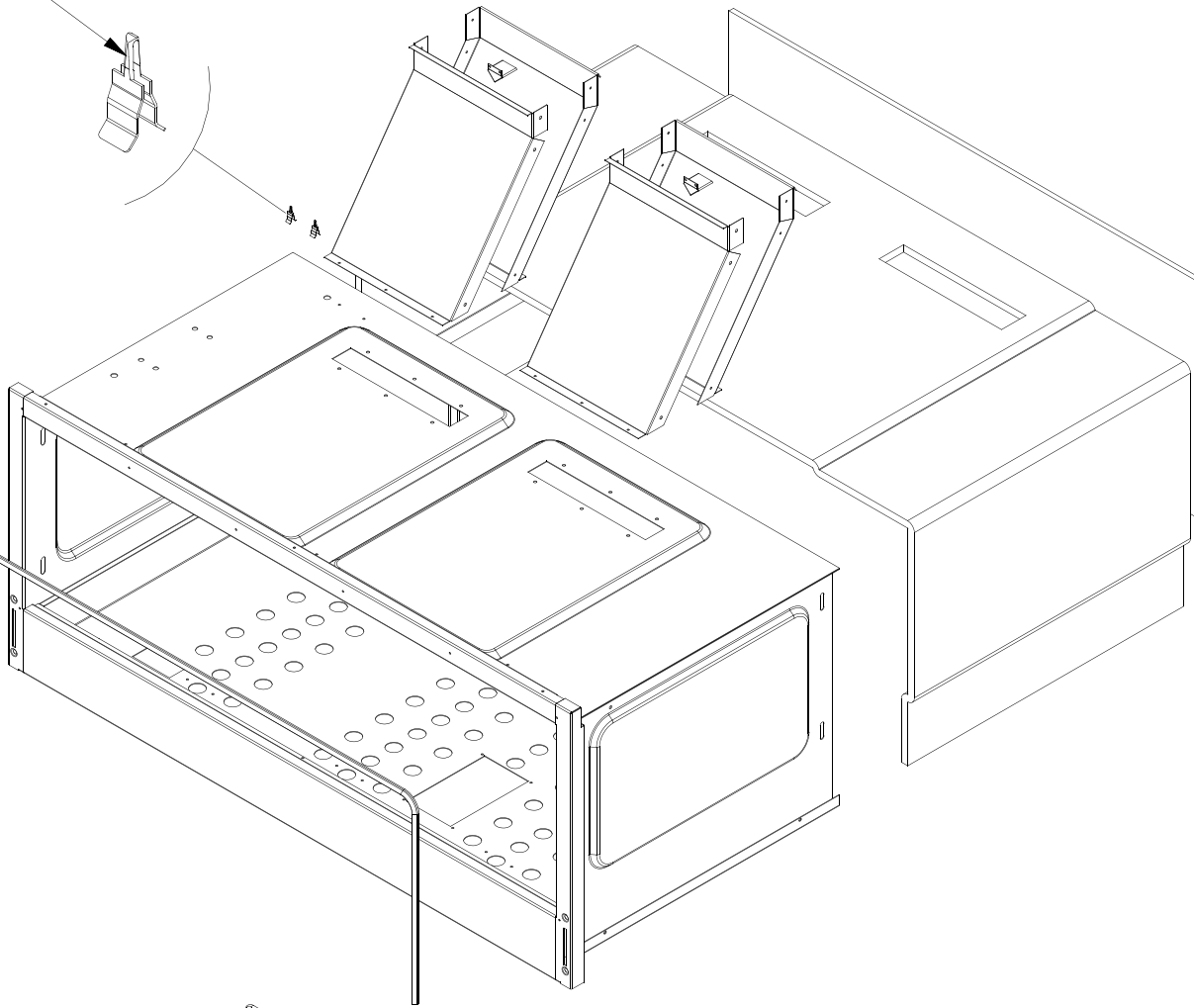


560099800M00P00

533033800



536010901



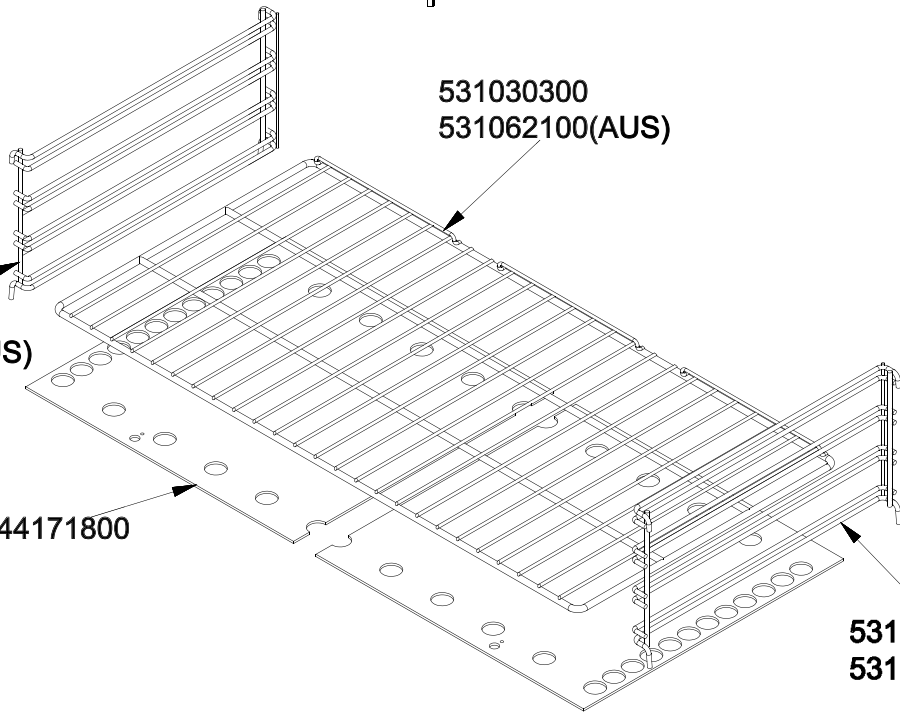
531030300  
531062100(AUS)

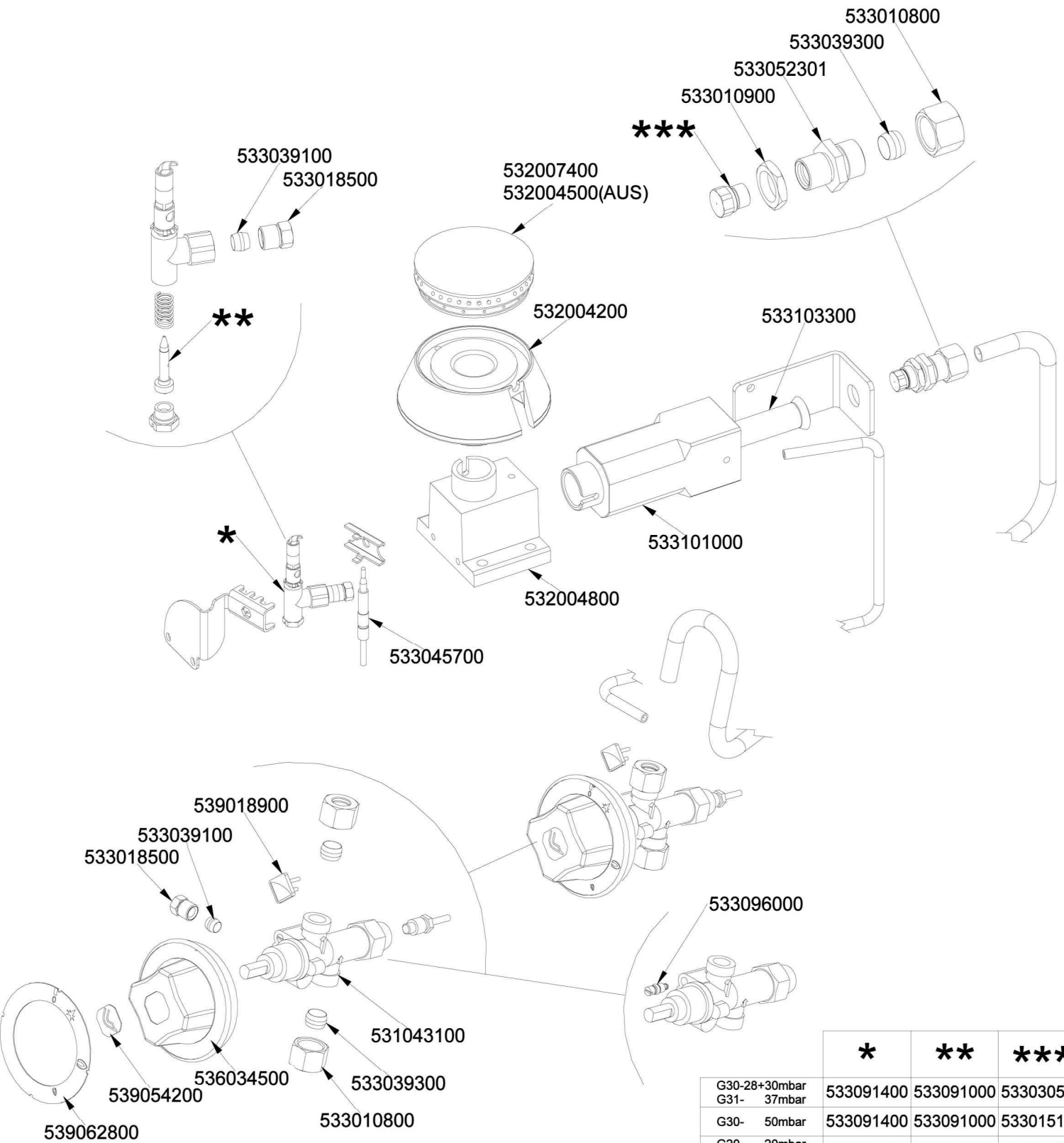
531030500  
531062300(AUS)

544171800

531030400  
531062200(AUS)

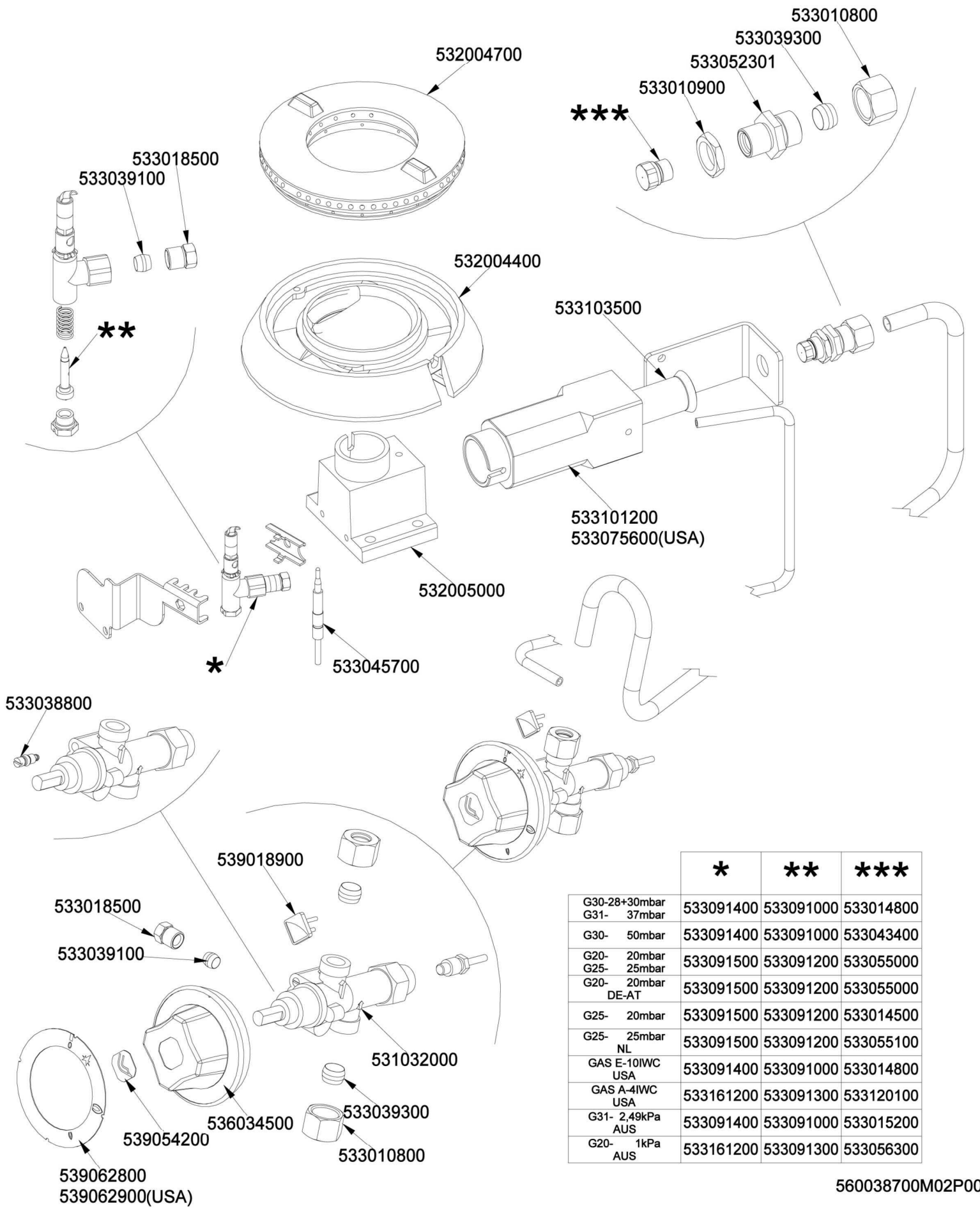
560012400M02P00



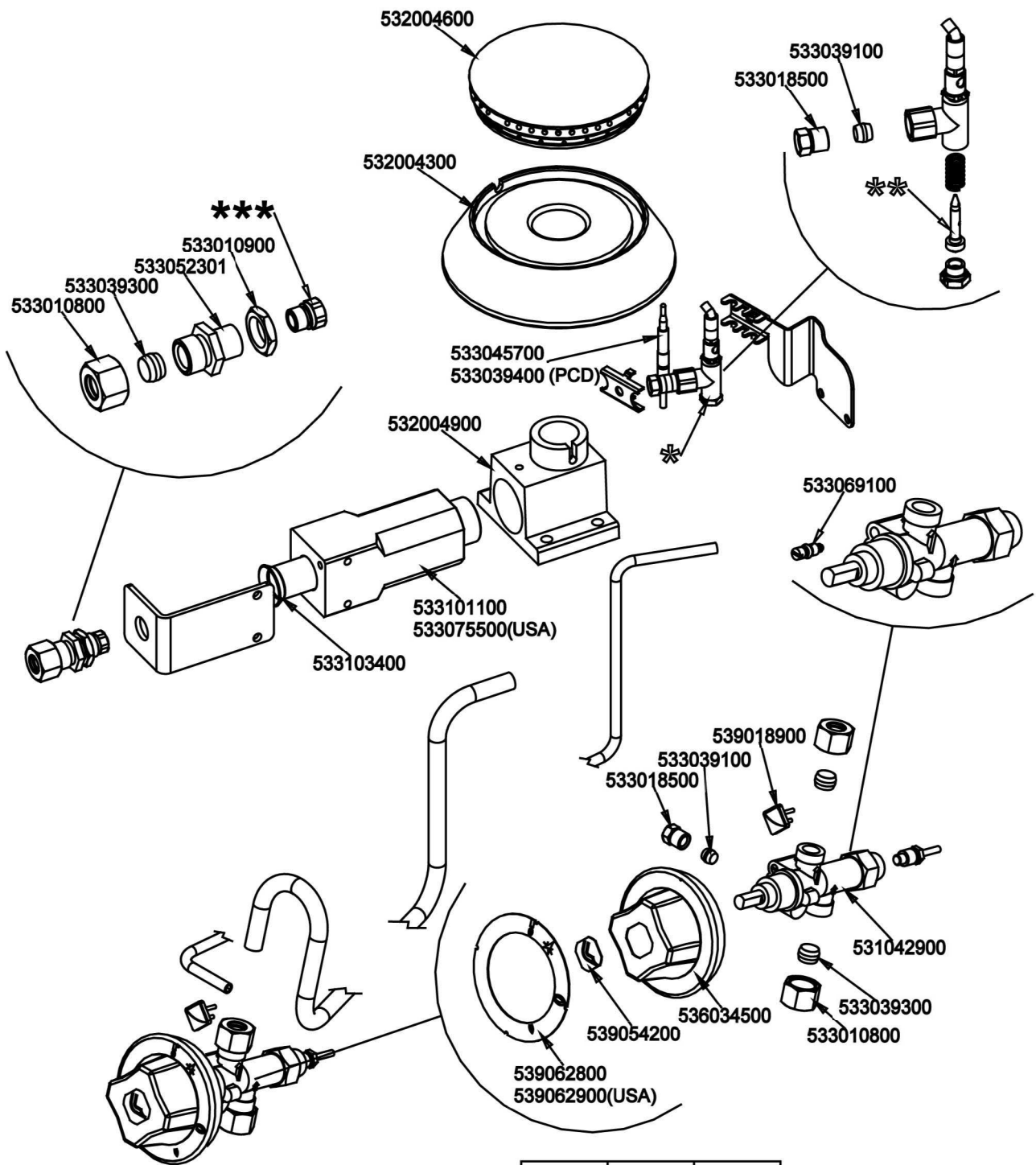


	*	**	***
G30-28+30mbar G31- 37mbar	533091400	533091000	533030500
G30- 50mbar	533091400	533091000	533015100
G20- 20mbar G25- 25mbar	533091500	533091200	533015200
G20- 20mbar DE-AT	533091500	533091200	533015200
G25- 20mbar	533091500	533091200	533030800
G25- 25mbar NL	533091500	533091200	533014900
G31- 2,49kPa AUS	533091400	533091000	533019300
G20- 1kPa AUS	533161200	533091300	533030300

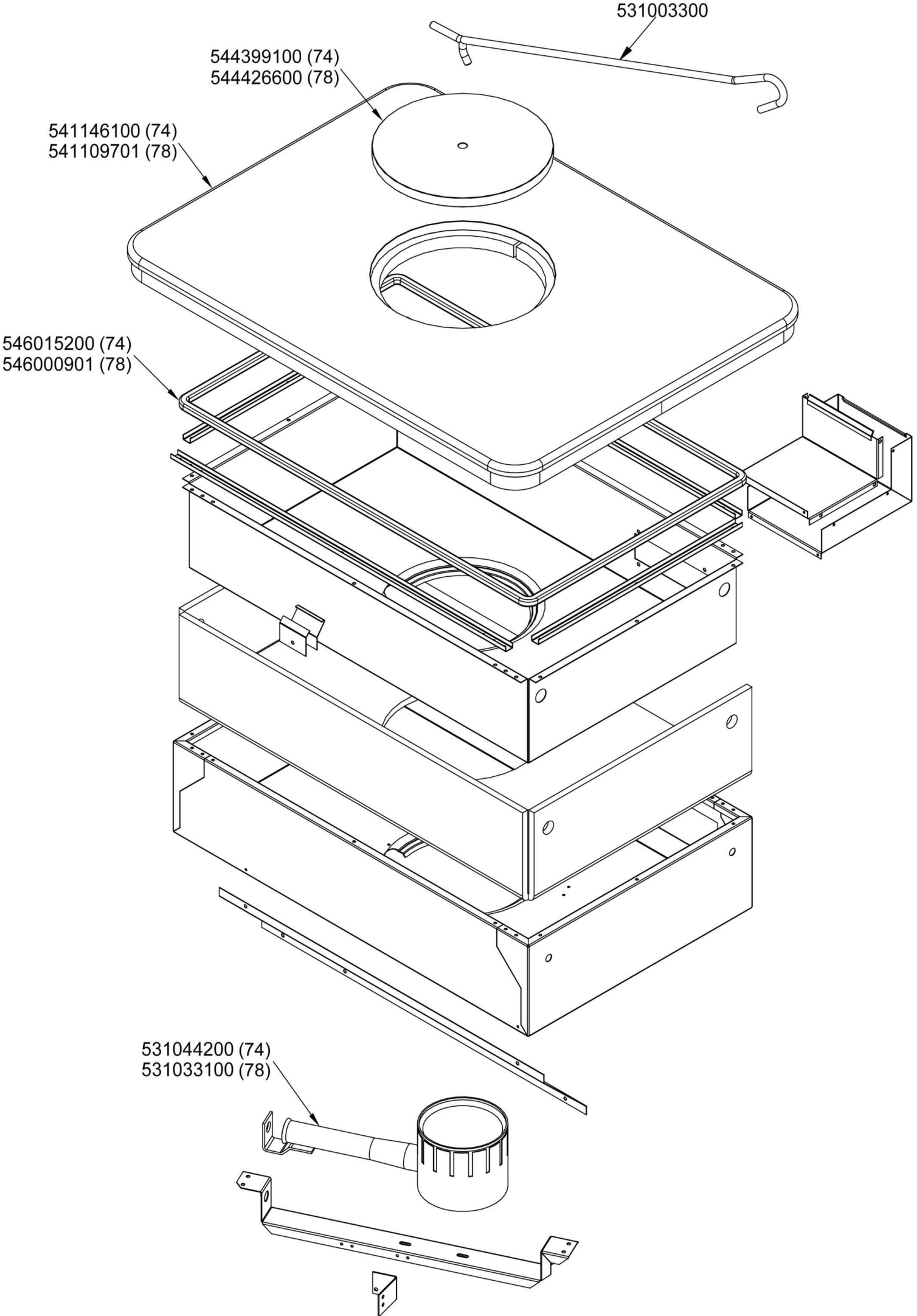
560038500M02P00

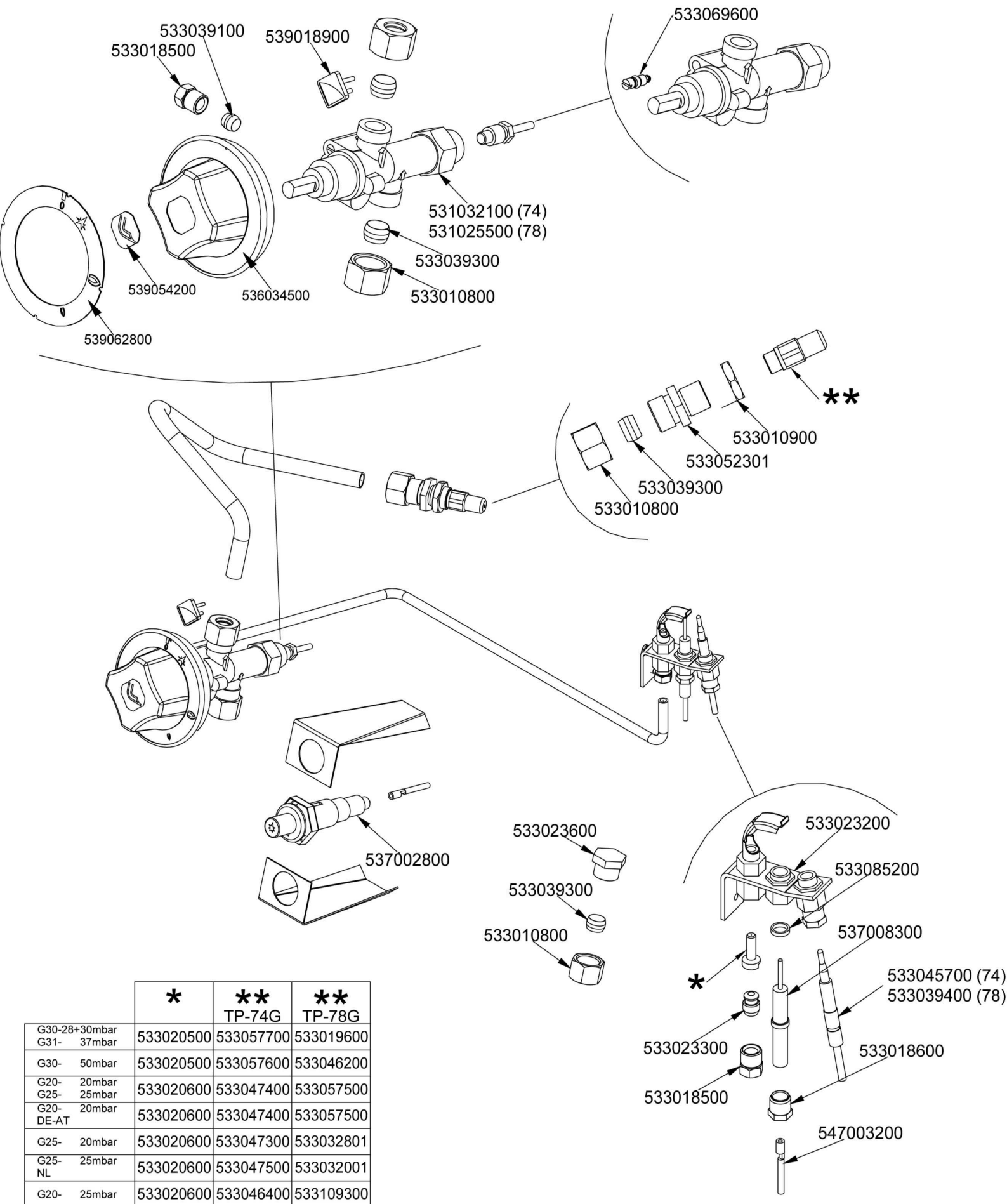


	*	**	***
G30-28+30mbar G31- 37mbar	533091400	533091000	533014800
G30- 50mbar	533091400	533091000	533043400
G20- 20mbar G25- 25mbar	533091500	533091200	533055000
G20- 20mbar DE-AT	533091500	533091200	533055000
G25- 20mbar	533091500	533091200	533014500
G25- 25mbar NL	533091500	533091200	533055100
GAS E-10IWC USA	533091400	533091000	533014800
GAS A-4IWC USA	533161200	533091300	533120100
G31- 2,49kPa AUS	533091400	533091000	533015200
G20- 1kPa AUS	533161200	533091300	533056300



	*	**	***
G30-28+30mbar G31- 37mbar	533091400	533091000	533043900
G30- 50mbar	533091400	533091000	533019300
G20- 20mbar G25- 25mbar	533091500	533091200	533031000
G20- 20mbar DE-AT	533091500	533091200	533031000
G25- 20mbar	533091500	533091200	533043500
G25- 25mbar NL	533091500	533091200	533019400
GAS E-10IWC USA	533091400	533091000	533043200
GAS A-4IWC USA	533161200	533091300	533043100
G31- 2,49kPa AUS	533091400	533091000	533043900
G20- 1kPa AUS	533161200	533091300	533043500







Page	Pos	Code	Description
001		532004100	FLUE GRID L=370 90LINE (RAF
001		541135300	LOW SPACER 712 3 GRIDS
001		544333900	BURNER CONTAINER 1/1GN R 304
001		544383300	UPPER PLATE PC-712GP CF6-7128GP/GPE
001		531047000	2 BURNER GRID FOR PC-700
001		544333800	BURNER CONTAINER 1/1GN R 304
001		544173300	LEFT SIDE PANEL RANGE S.70
001		541147500	CONTROL PANEL TPF4-912G/GV
001		544173200	RIGHT SIDE PANEL RANGE S.70
001		536005200	INOX LEG 2" 120-180 M10
002		544187100	OVEN INNER DOOR GN 2/1 70/90LINE
002		531022800	LEFT OVEN DOOR HINGE S.70
002		531013100	OVEN DOOR HANDLE OF 70/90-LINE
002		544186900	OVEN DOOR GN 2/1 70/90LINES
002		531022700	RIGHT OVEN DOOR HINGE 70LINE
002		531022900	HINGE DOOR WHEEL HOLDER S.70
002		541102300	GAS OVEN INNER DOOR GN 3/1 S.70
002		544187000	OVEN DOOR GN 3/1 S.70
003		533033800	LOCK SPRING FOR BULB §6
003		536010901	GAS OVEN GASKET GN 3/1 (1668
003		531030300	OVEN GRID GN 3/1 FOR 70 LINE
003		531062100	OVEN GRID GN 3/1 FOR 70 LINE
003		531030500	LHD SUPPORT GRID FOR OVEN OF 70LINE
003		531062300	LHD SUPPORT GRID FOR OVEN OF 70LINE
003		544171800	BOTTOM FOR GAS OVEN GN3/1 70 LINE
003		531030400	RHD SUPPORT GRID FOR OVEN OF 70LINE
003		531062200	RHD SUPPORT GRID FOR OVEN OF 70LINE
004		533010800	TUBE NUT D.10 M16*1,5
004		533039300	BICONE §10
004		533052301	JOINT FOR NOZZLE HOLDER
004		533010900	NUT M14*1 H.4
004		533039100	BICONE §6
004		532007400	BURNER COVER RING Ø073 4 Z
004		533018500	FITTING FOR BICONE D.6 M10*1
004		532004500	BURNER COVER RING SR D73
004		532004200	SMALL BURNER BODY 70LINE P.
004		533103300	AIR ADJUSTMENT BUSHING D16 EST.H57
004		533101000	BURNER VENTURI SR
004		532004800	ELBOW FITTING OF BURNER VENTURI SR
004		533045700	THERMOCOUPLE M9*1 500
004		539018900	INDEX FOR KNOB W/RED SIGN
004		533096000	§50 BY-PASS COCK 20S-21S
004		531043100	B.PASS §50 SAFETY COCK PC/CF 70
004		539054200	STAMP Ø20,5 CR."L" LOTUS R.
004		536034500	KNOB §77 4P. §08*6,5
004		539062800	RED STICKING DISK 72
004		533091400	P.NOZZLE S100 UG.§20 PC90 LPG-FLUS
004		533091500	PILOT NOZZLE S.100 §30 PC90 NAT.GAS
004		533091000	NOZZLE 0.100 §20
004		533091200	PILOT NOZZLE 0100 Ø35 PIL.PC
004		533091300	PILOT NOZZLE 0100 Ø40 PIL.PC

Page	Pos	Code	Description
004		533030500	NOZZLE §90 CH12X14 G30/CE
004		533015100	NOZZLE §80 CH12*14 F-FP/CP6
004		533015200	NOZZLE §145 CH12*14 F-FP/CP6
004		533030800	NOZZLE §155 CH12X14 M-CW
004		533014900	NOZZLE §150 CH12*14 F-FQ5 L-FQ6
004		533019300	NOZZLE §100 G-FQ5 F-CW
004		533030300	NOZZLE §160 CH12*14 M-FPG
005		533010800	TUBE NUT D.10 M16*1,5
005		533039300	BICONE §10
005		533052301	JOINT FOR NOZZLE HOLDER
005		532004700	BURNER COVER RING UR D128
005		533010900	NUT M14*1 H.4
005		533018500	FITTING FOR BICONE D.6 M10*1
005		533039100	BICONE §6
005		532004400	BIG BURNER BODY 70LINE P.
005		533103500	AIR ADJUSTMENT BUSHING D22 EST.H57
005		533101200	BURNER VENTURI UR
005		533075600	BURNER VENTURI 7,5KW S70 USA
005		532005000	ELBOW FITTING OF BURNER VENTURI UR
005		533045700	THERMOCOUPLE M9*1 500
005		533038800	75 BY-PASS FOR 21S TAP
005		539018900	INDEX FOR KNOB W/RED SIGN
005		531032000	GAS COCK P.V.BY-PASS Ø075
005		536034500	KNOB §77 4P. §08*6,5
005		539054200	STAMP Ø20,5 CR."L" LOTUS R.
005		539062800	RED STICKING DISK 72
005		539062900	RED STICKING DISK 72 USA
005		533091400	P.NOZZLE S100 UG.§20 PC90 LPG-FLUS
005		533091500	PILOT NOZZLE S.100 §30 PC90 NAT.GAS
005		533091000	NOZZLE 0.100 §20
005		533091200	PILOT NOZZLE 0100 Ø35 PIL.PC
005		533091300	PILOT NOZZLE 0100 Ø40 PIL.PC
005		533014800	NOZZLE §135 CH12*14,0
005		533043400	NOZZLE §117 CH12*14 G-PC4 UR
005		533055000	NOZZLE §205 CH12*14 G25 CW4
005		533014500	NOZZLE §225 CH12*14 OVEN GN 2/1
005		533055100	NOZZLE §215 CH12*14 L-CW4
005		533120100	NOZZLE §210 CH12*14,0
005		533015200	NOZZLE §145 CH12*14 F-FP/CP6
005		533056300	NOZZLE §240 CH12*14
006		532004600	BURNER COVER RING R D104
006		533039100	BICONE §6
006		533018500	FITTING FOR BICONE D.6 M10*1
006		532004300	MIDDLE BURNER BODY 70LINE P.
006		533010900	NUT M14*1 H.4
006		533052301	JOINT FOR NOZZLE HOLDER
006		533039300	BICONE §10
006		533010800	TUBE NUT D.10 M16*1,5
006		533045700	THERMOCOUPLE M9*1 500
006		533039400	THERMOCOUPLE M9*1*850
006		532004900	ELBOW FITTING OF BURNER VENTURI R

Page	Pos	Code	Description
006		533069100	BY PASS COCK §60 20S
006		533101100	BURNER VENTURI R
006		533075500	BURNER VENTURI 5,5KW S70 USA
006		533103400	AIR ADJUSTMENT BUSHING D20 EST.H57
006		539018900	INDEX FOR KNOB W/RED SIGN
006		531042900	B.PASS §60 SAFETY COCK PC/CF 90
006		539054200	STAMP Ø20,5 CR."L" LOTUS R.
006		539062800	RED STICKING DISK 72
006		539062900	RED STICKING DISK 72 USA
006		533091400	P.NOZZLE S100 UG.§20 PC90 LPG-FLUS
006		533091500	PILOT NOZZLE S.100 §30 PC90 NAT.GAS
006		533091000	NOZZLE 0.100 §20
006		533091200	PILOT NOZZLE 0100 Ø35 PIL.PC
006		533091300	PILOT NOZZLE 0100 Ø40 PIL.PC
006		533043900	NOZZLE §115 CH12*14 F-CW4
006		533019300	NOZZLE §100 G-FQ5 F-CW
006		533031000	NOZZLE §175 CH12X14
006		533043500	NOZZLE §190 CH12*14 G25 PC4R
006		533019400	NOZZLE §180 CH12*14 L-FQ5
006		533043200	NOZZLE §110 G30 (LPG) CH12X14
006		533043100	NOZZLE §185 G25 CH12X14
007		531003300	TP-PLATE LIFTING HOOK
007		544399100	PLATE RING FOR TP-74G TP-94G
007		544426600	PLATE RING FOR TP-98G
007		541146100	PLATE TP-74G
007		541109701	UPPER PLATE TP-78G
007		546015200	SQUARE BRAID 12*12*L=1495
007		546000901	SQUARE BRAID OF INSULATING MATERIAL
007		531044200	CIRCULAR BURNER TP D.066
007		531033100	BURNER TP..-78G
008		533018500	FITTING FOR BICONE D.6 M10*1
008		533039100	BICONE §6
008		539018900	INDEX FOR KNOB W/RED SIGN
008		533069600	BY PASS COCK §130 20S-21S
008		531032100	GAS COCK 21S P.V.BY-PASS Ø100
008		531025500	GAS COCK 21S P.V.BY-PASS Ø130
008		533039300	BICONE §10
008		533010800	TUBE NUT D.10 M16*1,5
008		536034500	KNOB §77 4P. §08*6,5
008		539054200	STAMP Ø20,5 CR."L" LOTUS R.
008		539062800	RED STICKING DISK 72
008		533010900	NUT M14*1 H.4
008		533052301	JOINT FOR NOZZLE HOLDER
008		537002800	PIEZOELECTRIC IGNITION M18 WITH NUT
008		533023600	TAP PLUG §10 M16*1, 5CH19
008		533023200	TARGET PILOT + NIPPLE TC BRAC.90°
008		533085200	SPACER FOR PILOT PLUG
008		537008300	ROUND PLUG §2,4- LONG ELECTRODE
008		533045700	THERMOCOUPLE M9*1 500
008		533039400	THERMOCOUPLE M9*1*850
008		533023300	BICONE §6 ("TARGET" PILOT

Page	Pos	Code	Description
008		533018600	PLUG FITTING
008		547003200	HIGH-VOLTAGE CABLE TUBE.§2 L=500
008		533020500	NOZZLE 0.140 §19
008		533020600	NOZZLE 0.140 §27
008		533057700	NOZZLE §130A CH12*30 F-BRF74
008		533057600	NOZZLE §115A CH12*30 G-BRF74
008		533047400	NOZZLE §195 CH12*30 M-BM8
008		533047300	NOZZLE §215 CH12*30 L-BM8
008		533046400	NOZZLE §185 CH12*30 G-CPM
008		533019600	NOZZLE §165 CH12*30 MH-FT5 H-FT6
008		533046200	NOZZLE §150 CH12X30 L-BR TP
008		533057500	NOZZLE §260 CH12X30
008		533032801	NOZZLE §280 CH12*30 M-CPM
008		533032001	NOZZLE §270 CH12*30 MH-CPM
008		533109300	NOZZLE CH12X30,0 Ø245