

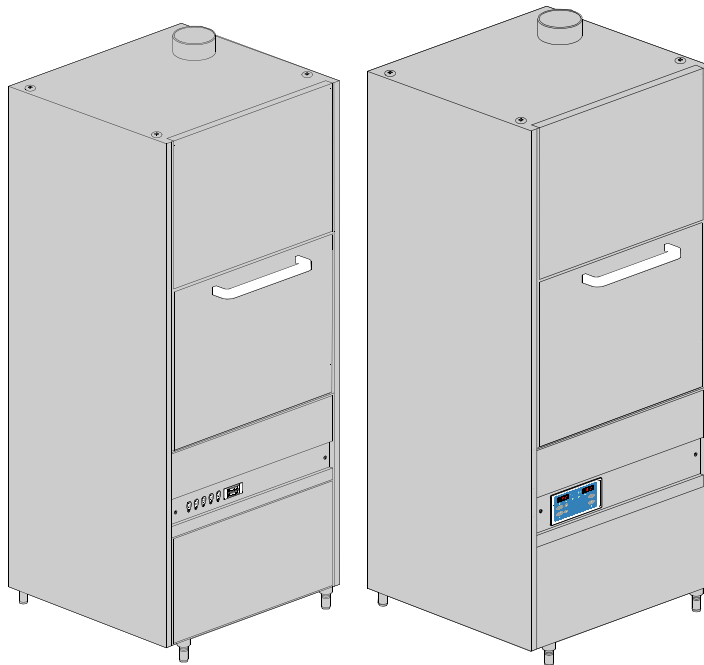
WAREWASHER

ELECTROMECHANICAL SWITCHES
ELECTRONICAL SWITCHES
DOUBLE BODY VERSION
LOWER AND UPPER VERSION

TYPE: 70U

Accessories
BOOSTER PUMP
DVGW
DETERGENT DISPENSER
DRAIN PUMP

Spare Parts Manual



INFORMAZIONI GENERALI

Questo catalogo serve per richiedere con esattezza le parti di ricambio

Nelle ordinazioni indicare:

1) il numero dei codici dei particolari seguito dalla descrizione e la quantità desiderata;

2) Il codice alfa-numerico presente nella seconda colonna della tabella ;

I disegni delle parti di ricambio sono solo indicativi e non rappresentano il pezzo in oggetto.

I dati contenuti in questo catalogo sono indicativi e possono essere soggetti a modifiche senza impegno di preavviso.

ALLGEMEINE INFORMATIONEN

Dieser Ersatzteilkatalog dient zur genauen Angabe der Teile bei Ersatzteilbestellungen.

Bei Ersatzbestellung ist folgendes anzugeben:

1) Die Bestellnummer der Ersatzteile mit der entsprechenden Beschreibung genaue Menge;

2) Der alpha-numerischer Code auf der zweiten Reihe in dein Spalte;

Die Zeichnungen der Ersatzteile sind nur als Hinweise gedacht und stellen nicht das betroffene Teil dar.

Bei den im Katalog angeführten Daten handelt es sich um Anhaltsdaten, die jederzeit, ohne Vorankündigung, geändert werden können.

GENERAL INFORMATION

The present spare parts order exactly the right spare parts

When ordering specify:

1) the part's code number followed by its description and quantity needed;

2) The alpha-numeric code is in the second column in the chart;

Spare parts drawings are general and do not represent the part.

The contents of this catalogue are general and can undergo changes without prior notice.

INFORMACIONES GENERALES

El presente catálogo sirve para pedir con exactitud las partes de repuesto

En los pedidos se debe indicar:

1) el número de código de la parte y a continuación la descripción cantidad deseada;

2) El código alfanumerico presente en la signada columna de la tabla;

Los diseños de las partes de recambio son solo indicativos y no representan la pieza en cuestión.

Los datos contenidos en el presente catálogo son indicativos y pueden modificarse sin aviso previo.

INFORMATIONS GENERALES

Ce catalogue permet de commander correctement les pièces détachées

Les commandes doivent être passées en indiquant:

1) le numero de code des pièces détachées suivi de leur description quantité désirée;

2) le code alphanumérique dans la deuxième colonne du tableau;

Les plans des pièces détachées sont fournis seulement à titre indicatif et ne représentent pas la pièce concernée.

Les données de ce catalogue sont citées seulement à titre indicatif et peuvent être l'objet de modifications sans avis préalable.

ESEMPIO
EXAMPLE
EXEMPLE
BEISPIEL

Rif.	Codici
MODULE:Particolari	
10505	540903
10510	540908
10515	15065/A
10520	540086
10525	540028

Note

Tutte le informazioni riportate si intendono aggiornate alla data di stampa. Il Produttore si riserva il diritto di apportare qualsiasi modifica richiesta dallo sviluppo evolutivo dei suddetti prodotti.

Per la sicurezza, la garanzia, l'affidabilità ed il valore della lavastoviglie usa solo ricambi originali. **Per alcuni codici, sono richieste quantità minime d'ordine.**

Attenzione

Questo libretto è parte integrante della lavastoviglie e, in caso di passaggio di proprietà, deve essere consegnato al nuovo acquirente.

Remarque

Toutes les informations contenues dans ce manuel s'entendent mises à jour à la date d'impression. En raison du développement constant de ses produits, usine se réserve le droit d'apporter à tout instant les modifications qu'elle jugera utiles.

Pour la sécurité, la garantie, la fiabilité et la valeur de votre lave-vaisselles n'utilisez que des pièces de rechange d'origine. **Pour quelque référence on demande un minimum de pièces par commande**

Attention

Ce manuel doit être considéré comme partie intégrante de la lave-vaisselles, en cas de transfert de propriété, doit toujours être remis au nouveau propriétaire.

Note

The information contained herein is valid at the time of going to print. The Company reserves the right to make any changes required by the future development of the above-mentioned products.

For your safety, as well as to preserve the warranty reliability and worth of your dishwashers, use original spare parts only. **For some codes a minimum quantity for order is required.**

Warning

This manual forms an integral part of the dishwashers and - if a transfer of title occurs - must always be handed over to the new owner.

Hinweis

Die Der Hersteller behält sich das Recht vor, jegliche, durch eine Weiterentwicklung der genannten Produkte bedingte Änderungen vornehmen zu können.

Verwenden Sie für Ihre Sicherheit, die Garantie, die Zuverlässigkeit und den Wert Ihrer machine originale Ersatzteile. **Für bestimmte Code nummer werden mindesten bestellungen verlangt.**

Achtung

Diese Betriebsanleitung ist Bestandteil des machine und muss bei seinem Weiterverkauf dem neuen Besitzer ausgehändigt werden.



Code 999XYYYY **CL/Part**

Model DESCRIPTION 

S/N 04012345 **Type**

400VAC3N 50HZ 8A
3500W 500W

  16A

200-500

Pressione Dinamica alimentazione idrica
Pression dynamique arrivee d'eau
Dynamic pressure water supply
Dynamischer Druck asserreinlauf

Pressione dinamica vapore saturo
Pression dynamique vapeur satuee
Dymanischer Druck gesattigter Dampf
Pression Dinamica Vapor Saturado

TECHICAL SPECIFICATION

MADE IN ITALY

Temperatura massima acqua in ingresso **60°C**
Temperature max eau a l'entre
Maximale Temperatur Wasseranschlu
Maximum Water temperature in-feeding

Model 

S/N 

CODE 999 XX YYYY

FAMIGLIA PRODOTTO
FAMILY PRODUCT
FAMILLE DU PRODUIT
FAMILIA PRODUCTO
FAMILIE DES PRODUKTES

CODICE MODELLO
CODE MODEL
CODE ARTICLE
CODIGO MODELO
KODE VON MODELL

S/N 04 012345

ANNO
YEAR
ANNÉE
AN^o
JAHR

NUMERO DI SERIE
SERIAL NUMBER
NUMÉRO DI SÉRIE
NUMERO DI SERIE
SERIENNUMMER

1. Spare parts

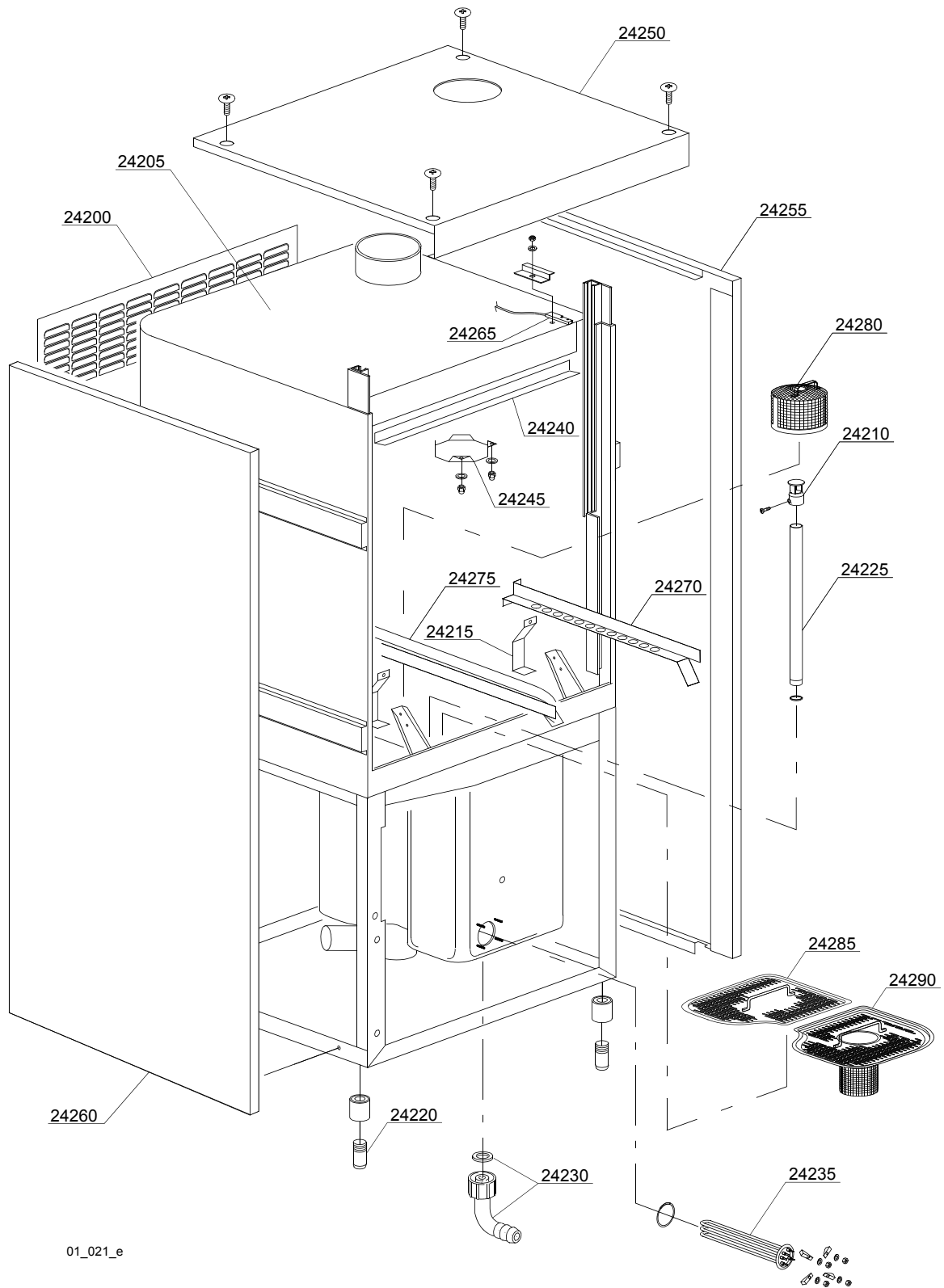
General body parts.....	7
Lockup system	9
Control panel and switches.....	11
Control panel and switches.....	13
Electric control components.....	15
Solenoid valve group	17
Booster pump.....	19
DVGW	21
Rinse aid dispenser group.....	23
Boiler group	25
3 ways connection	27
Wash pump	29
Dosing detergent group.....	31
Drain pump group.....	33
Pressure switch group with air trap ...	35
Turret group with rotating arms	37

1.1 Voltage codes

Volt	Voltage code
A	3/N/PE~380-400V 50-60Hz
D	3/PE~200-210V 50-60Hz
F	2/PE~220-240V 50-60Hz
G	3/N/PE~415V 50-60Hz
H	3/PE~220-230V 50-60Hz
K	3/PE~380-400V 50-60Hz
L	3/PE~415V 50-60Hz
M	3/PE~440V 60Hz
P	1/N/PE~220-230V 50-60Hz
R	2/PE~220-240V 50-60Hz
U	1/N/PE~240V 50-60Hz
V	3/PE~240V 50-60Hz
W	1/N/PE~100-110V 50-60Hz

1.2 Product codes

Product code	Full name
Model codes	
em	ELECTROMECHANICAL SWITCHES
e	ELECTRONICAL SWITCHES
dc	DOUBLE BODY VERSION
uw	LOWER AND UPPER VERSION
Type codes	
70U	70U
Accessory codes	
bp	BOOSTER PUMP
dvgw	DVGW
dd	DETERGENT DISPENCER
dp	DRAIN PUMP



01_021_e

Spare parts

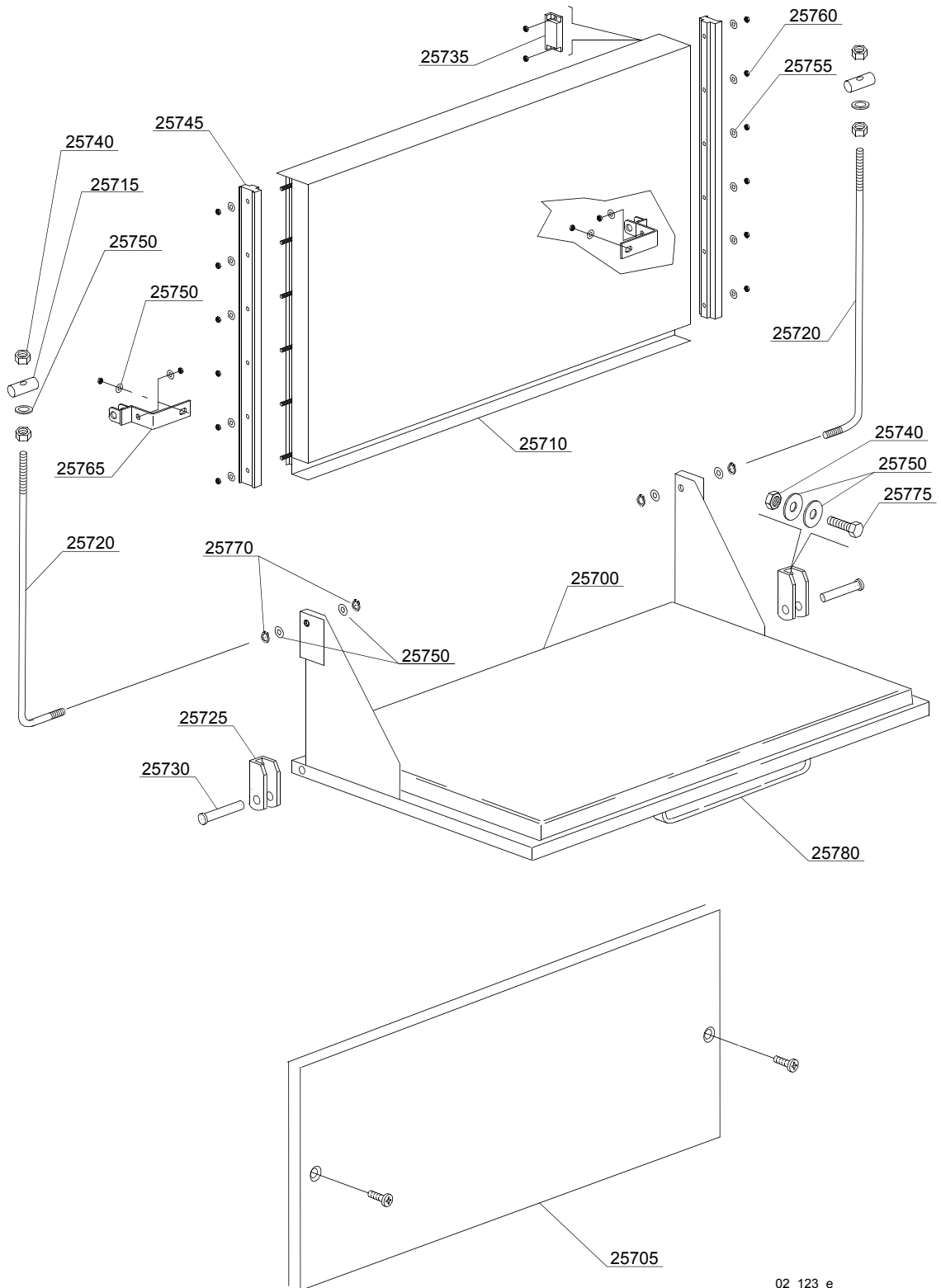
ID	P-code	SN from	SN to	Mod.	Acces.	Volt	Description
Module:General body parts							
24200	90955		-				Back panel
24205	90950		-				Body
24210	11600019		-				Terminal overflow pipe
24215	22254		-				Right/left splash guard
24220	15116		-				Foot
24225	90013		-				Overflow pipe
24230	15613		-				Elbow 1¼"
24235	15046		-			A,H,K,L,P,R,U,V	heating element 3/3,27KW 230/240V 3
24235	15089		-			A,H,K,L,P,R,U,V	heating element 4,5/4,9KW 230/240V 3
24240	90914		-				Upper splash guard
24245	22232		-				Chimney splash guard
24250	90907		-				Tank
24255	90953		-				Right lower panel
24260	90954		-				Left lower panel
24265	3003112		-				Door micro reed
24270	90910		-				Right internal slide
24275	90911		-				Left internal slide
24280	90014		-				Suction filter
24285	90913		-				Surface filter
24290	90912		-				Front surface filter

em=ELECTROMECHANICAL SWITCHES, e=ELECTRONICAL SWITCHES, dc=DOUBLE BODY VERSION,
uw=LOWER AND UPPER VERSION

70U=70U

bp=BOOSTER PUMP, dvgw=DVGW, dd=DETERGENT DISPENCER, dp=DRAIN PUMP, bt=BREAK TANK

A=3/N/PE~380-400V 50-60Hz, D=3/PE~200-210V 50-60Hz, F=2/PE~220-240V 50-60Hz, G=3/N/PE~415V 50-60Hz,
H=3/PE~220-230V 50-60Hz, K=3/PE~380-400V 50-60Hz, L=3/PE~415V 50-60Hz, M=3/PE~440V 60Hz, P=1/N/PE~220-
230V 50-60Hz, R=2/PE~220-240V 50-60Hz, U=1/N/PE~240V 50-60Hz, V=3/PE~240V 50-60Hz, W=1/N/PE~100-110V
50-60Hz



02_123_e

Spare parts

ID	P-code	SN from	SN to	Mod.	Acces.	Volt	Description
Module: Lockup system							
25700	90952		-				Door with steel handle
25705	90909		-				Lower door
25710	90951		-				Upper door
25715	22219		-				Pin
25720	23220		-				Door rod
25725	22206/B		-				Door hinge
25730	22220/A		-				Pin for door
25735	80232		-				Reed magnet
25740	11721		-				Nut (minnum 10 pieces)
25745	90025		-				Slide for door
25750	11177		-				Plain washer (minimum 10 pieces)
25755	11176		-				Plain washer (minimum 20 pieces)
25760	11169		-				Nut (minnum 10 pieces)
25765	90916		-				Door movement support
25770	11815		-				Ø8 stainless steel snap ring (minimum 5 pieces)
25775	11104/B		-				M6x16 stainless steel screw (minimum 5 pieces)
25780	22215		-				Stainless steel handle

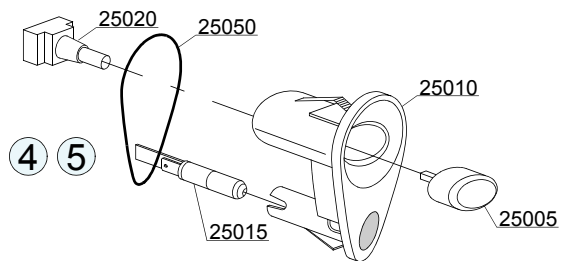
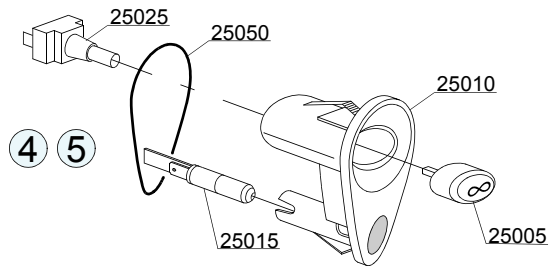
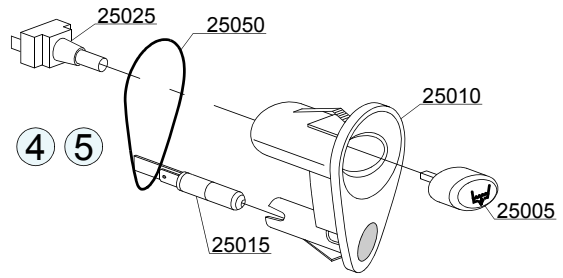
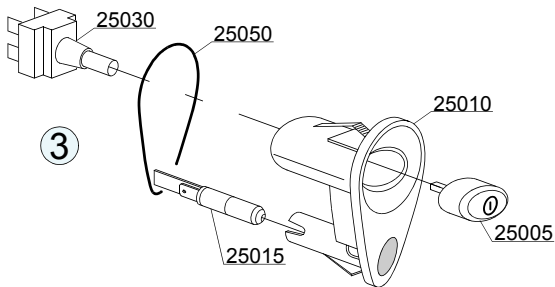
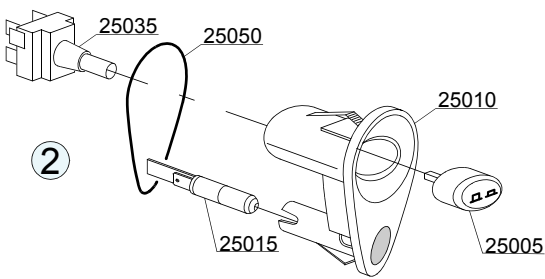
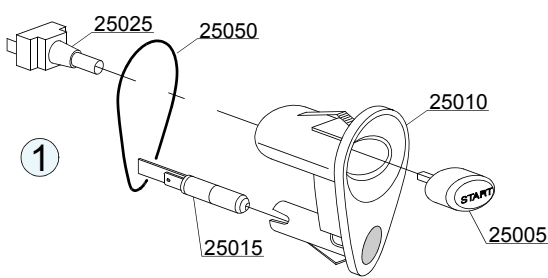
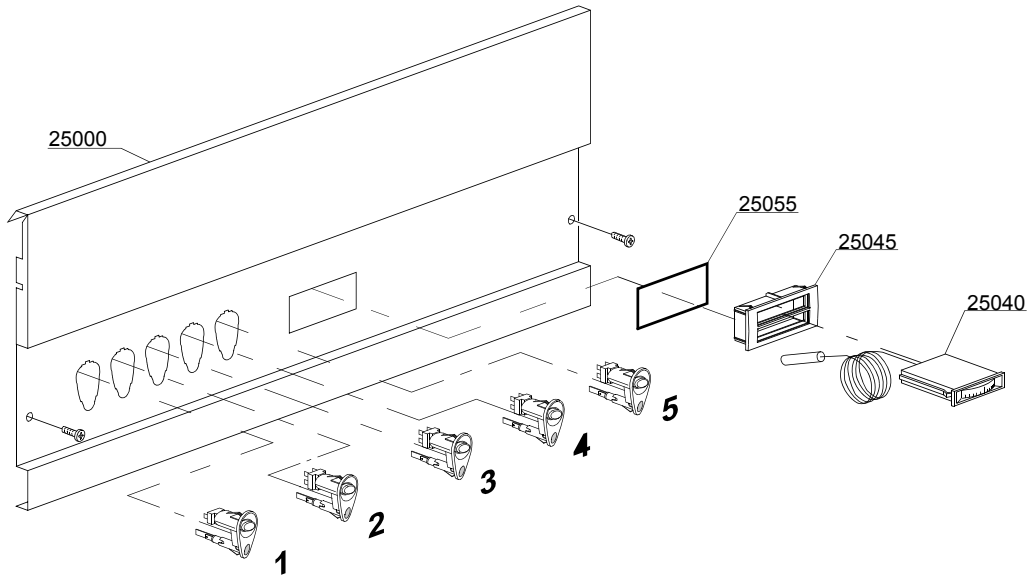
em=ELECTROMECHANICAL SWITCHES, e=ELECTRONICAL SWITCHES, dc=DOUBLE BODY VERSION,
uw=LOWER AND UPPER VERSION

70U=70U

bp=BOOSTER PUMP, dvgw=DVGW, dd=DETERGENT DISPENCER, dp=DRAIN PUMP, bt=BREAK TANK

A=3/N/PE~380-400V 50-60Hz, D=3/PE~200-210V 50-60Hz, F=2/PE~220-240V 50-60Hz, G=3/N/PE~415V 50-60Hz,
H=3/PE~220-230V 50-60Hz, K=3/PE~380-400V 50-60Hz, L=3/PE~415V 50-60Hz, M=3/PE~440V 60Hz, P=1/N/PE~220-
230V 50-60Hz, R=2/PE~220-240V 50-60Hz, U=1/N/PE~240V 50-60Hz, V=3/PE~240V 50-60Hz, W=1/N/PE~100-110V
50-60Hz

03_026be



Spare parts

ID	P-code	SN from	SN to	Mod.	Acces.	Volt	Description
Module:Control panel and switches							
25000	90903		-	em			Control panel
25005	89343		-	em	dp		Drain pump push button
25005	89342		-	em			Time selector switch push button
25005	89341		-	em			Start push button
25005	89348		-	em			Blind push button
25005	89340		-	em			ON-OFF push button
25010	89300		-	em			Push button support
25015	15826		-	em			Lamp, transparent
25020	15844		-	em			Push button support
25025	15813		-	em			16A unipolar push button
25030	15812		-	em			16A switch
25030	15800		-	em			16A bipolar switch
25035	15811		-	em			16A bipolar switch
25035	15811/A		-	em			16A bipolar switch
25040	10500011		-	em			Thermometer
25045	89306		-	em			Double thermometer support
25050	89332		-	em			OR O-ring (minimum 10 pieces)
25055	89331		-	em			OR O-ring (minimum 5 pieces)

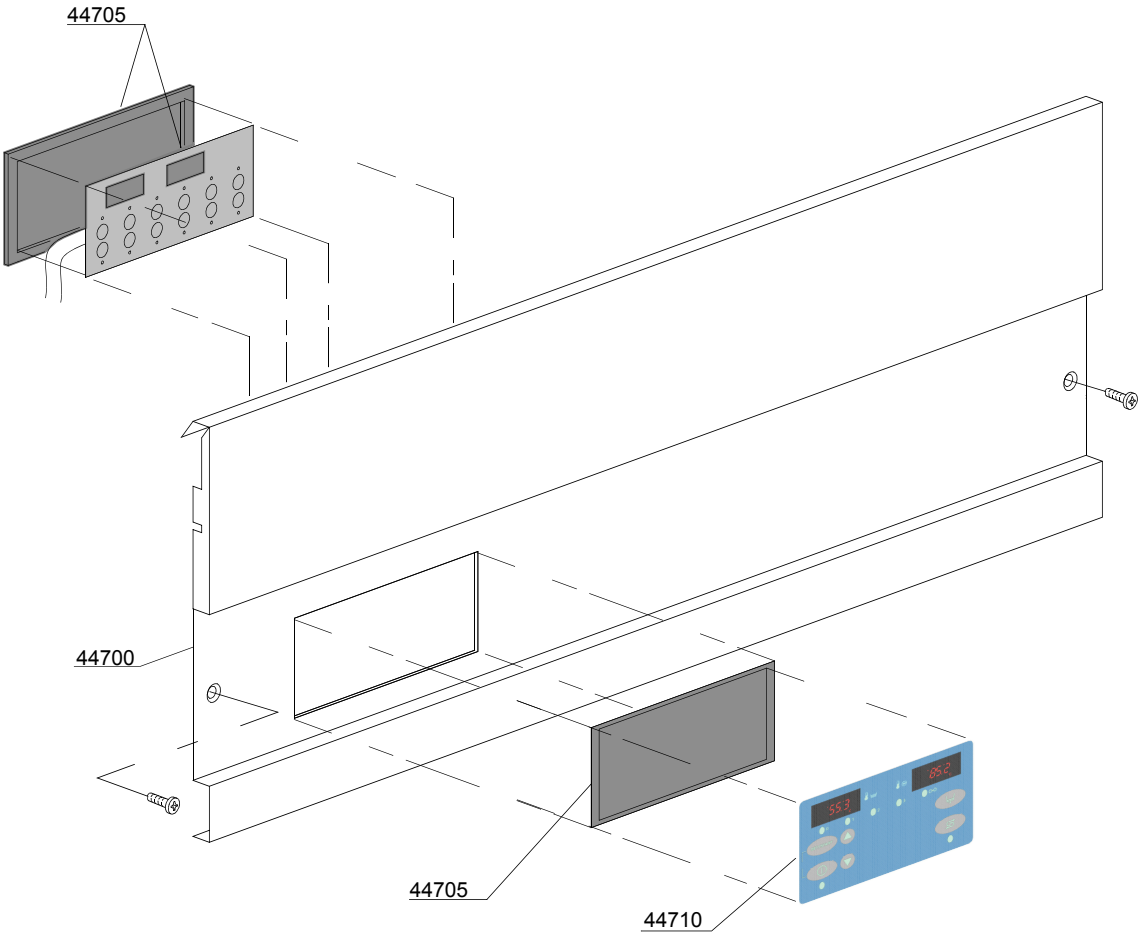
em=ELECTROMECHANICAL SWITCHES, e=ELECTRONICAL SWITCHES, dc=DOUBLE BODY VERSION, uw=LOWER AND UPPER VERSION

70U=70U

bp=BOOSTER PUMP, dvgw=DVGW, dd=DETERGENT DISPENCER, dp=DRAIN PUMP, bt=BREAK TANK

A=3/N/PE~380-400V 50-60Hz, D=3/PE~200-210V 50-60Hz, F=2/PE~220-240V 50-60Hz, G=3/N/PE~415V 50-60Hz, H=3/PE~220-230V 50-60Hz, K=3/PE~380-400V 50-60Hz, L=3/PE~415V 50-60Hz, M=3/PE~440V 60Hz, P=1/N/PE~220-230V 50-60Hz, R=2/PE~220-240V 50-60Hz, U=1/N/PE~240V 50-60Hz, V=3/PE~240V 50-60Hz, W=1/N/PE~100-110V 50-60Hz

03_062_e



Spare parts

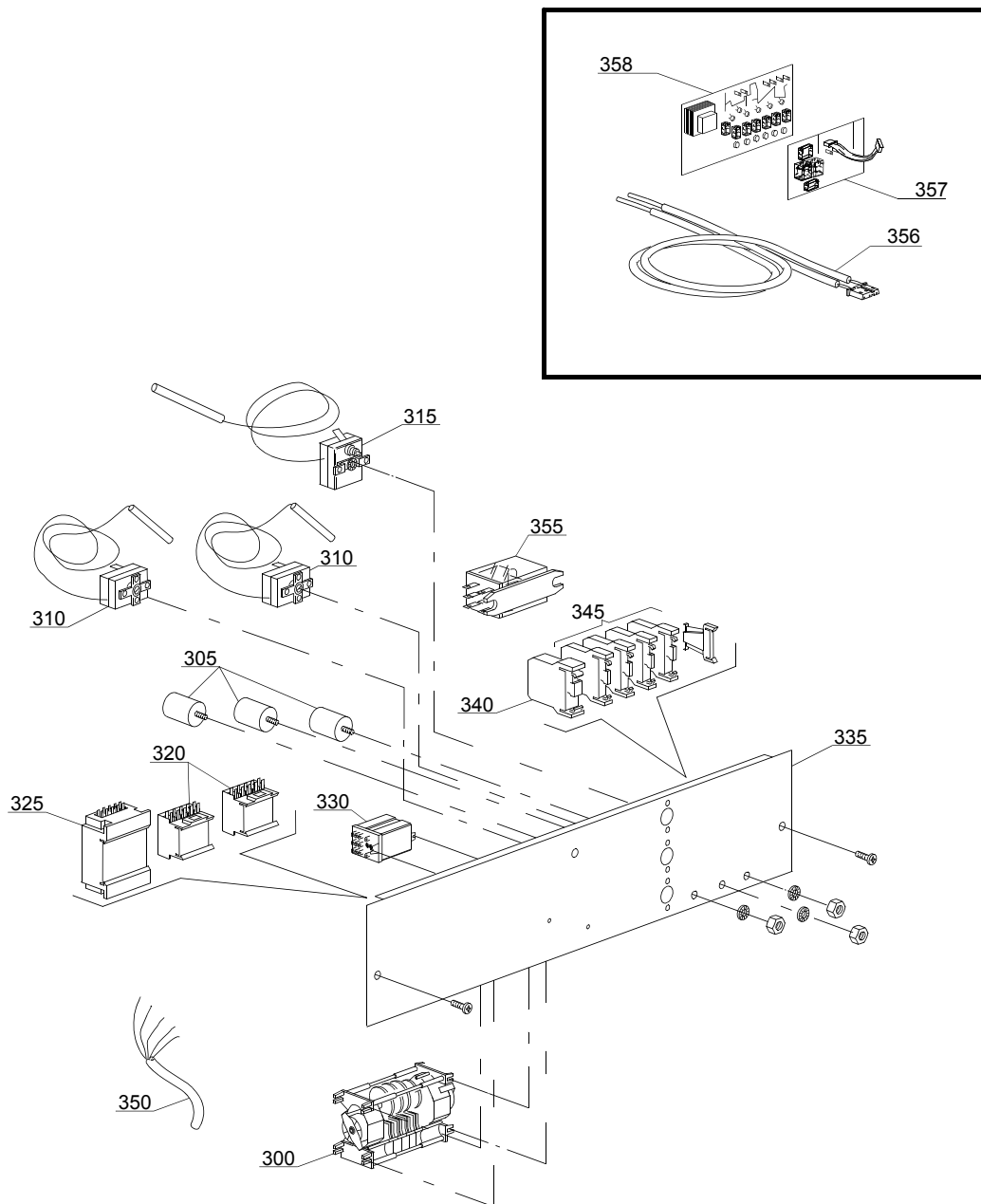
ID	P-code	SN from	SN to	Mod.	Acces.	Volt	Description
Module:Control panel and switches							
44700	90922		-	e			Control panel
44705	50570/C		-	e			Compleat membrane push button-driver
44705	50570/B		-	e			Compleat membrane push button-driver PLUS
44710	50572		-	e			Silkscreen processed grill membrane push button-driver
44710	50571		-	e	dp		Silkscreen processed grill membrane push button-driver dp+ws
44710	50575		-	e	dp		Neutral silkscreen processed grill membrane push button-driver dp+ws
44710	50578		-	e	dp		Silkscreen processed grill membrane push button-driver dp+ws
44710	50579		-	e			Silkscreen processed grill membrane push button-driver

em=ELECTROMECHANICAL SWITCHES, e=ELECTRONICAL SWITCHES, dc=DOUBLE BODY VERSION, uw=LOWER AND UPPER VERSION

70U=70U

bp=BOOSTER PUMP, dvgw=DVGW, dd=DETERGENT DISPENCER, dp=DRAIN PUMP, bt=BREAK TANK

A=3/N/PE~380-400V 50-60Hz, D=3/PE~200-210V 50-60Hz, F=2/PE~220-240V 50-60Hz, G=3/N/PE~415V 50-60Hz, H=3/PE~220-230V 50-60Hz, K=3/PE~380-400V 50-60Hz, L=3/PE~415V 50-60Hz, M=3/PE~440V 60Hz, P=1/N/PE~220-230V 50-60Hz, R=2/PE~220-240V 50-60Hz, U=1/N/PE~240V 50-60Hz, V=3/PE~240V 50-60Hz, W=1/N/PE~100-110V 50-60Hz



04_011_e

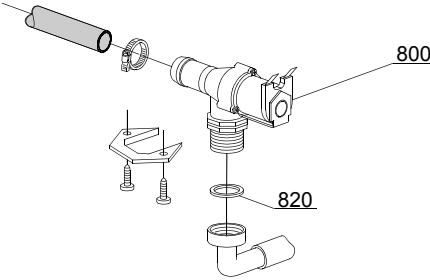
ID	P-code	SN from	SN to	Mod.	Acces.	Volt	Description
Module:Electric control components							
300	22011		-	e,em		A,H,K,P	120/240" timer with thermostop
305	15149		-	e,em		A,H,K,P	Filter F3
310	10707/1		-	e,em		A,H,K,P	0-90°C thermostat
315	2000430		-	e,em		A,H,K,P	Thermostat
320	15086		-	e,em		A,H,K,P	Contactora 230 V
325	10300050		-	e,em		A,H,K,P	Contactora 25A/12A 4NA 230V
330	16037		-	e,em		A,H,K,P	16A bipolar relay 230V 50/60Hz
335	23214			e,em			Electric component panel
340	10300401		-	e,em			Clamp
350	80200		-	e,em		A,G	Power supply cable 5x4x3400
350	75359		-	e,em		D,F,H,K,L,M,R,V	4x6 flame-retardant cable
356	50562		-	e			Sensor
357	50559		-	e			Circuit board DP
358	50569		-	e			Electronic card without chip

em=ELECTROMECHANICAL SWITCHES, e=ELECTRONICAL SWITCHES, dc=DOUBLE BODY VERSION, uw=LOWER AND UPPER VERSION

70U=70U

bp=BOOSTER PUMP, dvgw=DVGW, dd=DETERGENT DISPENCER, dp=DRAIN PUMP, bt=BREAK TANK

A=3/N/PE~380-400V 50-60Hz, D=3/PE~200-210V 50-60Hz, F=2/PE~220-240V 50-60Hz, G=3/N/PE~415V 50-60Hz, H=3/PE~220-230V 50-60Hz, K=3/PE~380-400V 50-60Hz, L=3/PE~415V 50-60Hz, M=3/PE~440V 60Hz, P=1/N/PE~220-230V 50-60Hz, R=2/PE~220-240V 50-60Hz, U=1/N/PE~240V 50-60Hz, V=3/PE~240V 50-60Hz, W=1/N/PE~100-110V 50-60Hz



05_005_e

Spare parts

ID	P-code	SN from	SN to	Mod.	Acces.	Volt	Description
Module:Solenoid valve group							
800	30001000		-				Solenoid valve
820	N.C.		-				Pression reducing valve

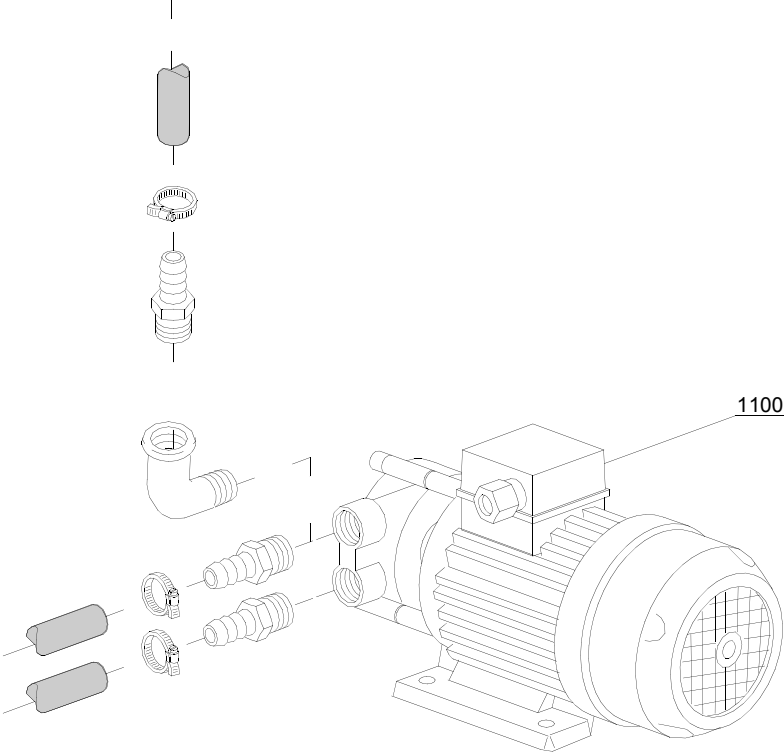
em=ELECTROMECHANICAL SWITCHES, e=ELECTRONICAL SWITCHES, dc=DOUBLE BODY VERSION,
uw=LOWER AND UPPER VERSION

70U=70U

bp=BOOSTER PUMP, dvgw=DVGW, dd=DETERGENT DISPENCER, dp=DRAIN PUMP, bt=BREAK TANK

A=3/N/PE~380-400V 50-60Hz, D=3/PE~200-210V 50-60Hz, F=2/PE~220-240V 50-60Hz, G=3/N/PE~415V 50-60Hz,
H=3/PE~220-230V 50-60Hz, K=3/PE~380-400V 50-60Hz, L=3/PE~415V 50-60Hz, M=3/PE~440V 60Hz, P=1/N/PE~220-
230V 50-60Hz, R=2/PE~220-240V 50-60Hz, U=1/N/PE~240V 50-60Hz, V=3/PE~240V 50-60Hz, W=1/N/PE~100-110V
50-60Hz

07_002_e



Spare parts

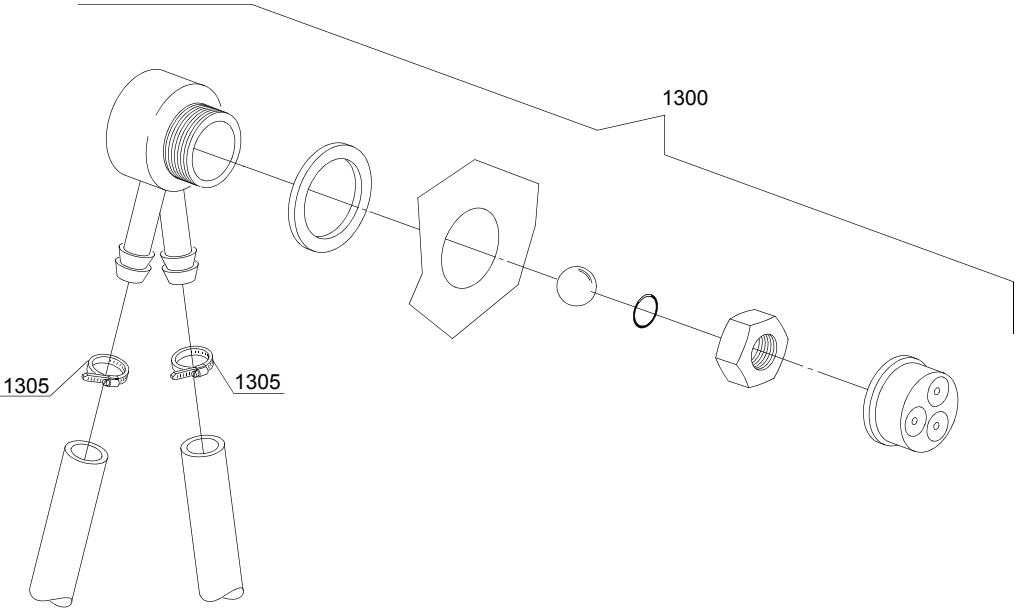
ID	P-code	SN from	SN to	Mod.	Acces.	Volt	Description
Module:Booster pump							
1100	15100		-		bp	A,F,G,H, K,L,P,R, U,V	Booster pump 0,5HP/0,375kW 50Hz 220-240V

em=ELECTROMECHANICAL SWITCHES, e=ELECTRONICAL SWITCHES, dc=DOUBLE BODY VERSION,
uw=LOWER AND UPPER VERSION

70U=70U

bp=BOOSTER PUMP, dvgw=DVGW, dd=DETERGENT DISPENCER, dp=DRAIN PUMP, bt=BREAK TANK

A=3/N/PE~380-400V 50-60Hz, D=3/PE~200-210V 50-60Hz, F=2/PE~220-240V 50-60Hz, G=3/N/PE~415V 50-60Hz,
H=3/PE~220-230V 50-60Hz, K=3/PE~380-400V 50-60Hz, L=3/PE~415V 50-60Hz, M=3/PE~440V 60Hz, P=1/N/PE~220-
230V 50-60Hz, R=2/PE~220-240V 50-60Hz, U=1/N/PE~240V 50-60Hz, V=3/PE~240V 50-60Hz, W=1/N/PE~100-110V
50-60Hz



08_005_e

Spare parts

ID	P-code	SN from	SN to	Mod.	Acces.	Volt	Description
Module:DVGW							
1300	999900006		-		dvgw		DVGW assembly
1305	11807		-		dvgw		12/22 clamp (minimum 3 pieces)

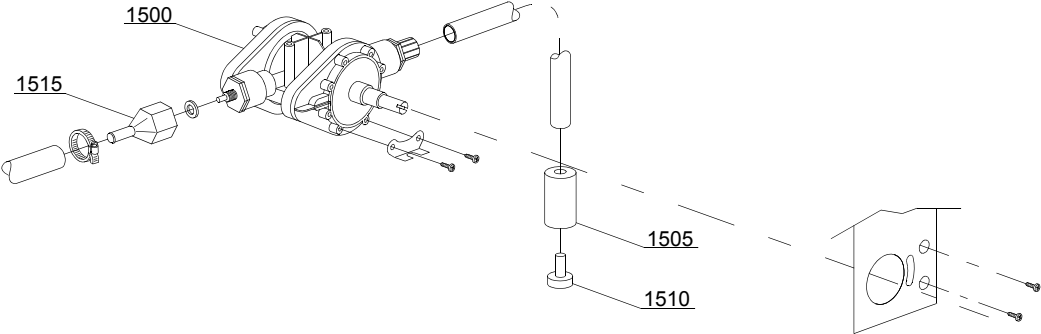
em=ELECTROMECHANICAL SWITCHES, e=ELECTRONICAL SWITCHES, dc=DOUBLE BODY VERSION,
uw=LOWER AND UPPER VERSION

70U=70U

bp=BOOSTER PUMP, dvgw=DVGW, dd=DETERGENT DISPENCER, dp=DRAIN PUMP, bt=BREAK TANK

A=3/N/PE~380-400V 50-60Hz, D=3/PE~200-210V 50-60Hz, F=2/PE~220-240V 50-60Hz, G=3/N/PE~415V 50-60Hz,
H=3/PE~220-230V 50-60Hz, K=3/PE~380-400V 50-60Hz, L=3/PE~415V 50-60Hz, M=3/PE~440V 60Hz, P=1/N/PE~220-
230V 50-60Hz, R=2/PE~220-240V 50-60Hz, U=1/N/PE~240V 50-60Hz, V=3/PE~240V 50-60Hz, W=1/N/PE~100-110V
50-60Hz

10_002_e



Spare parts

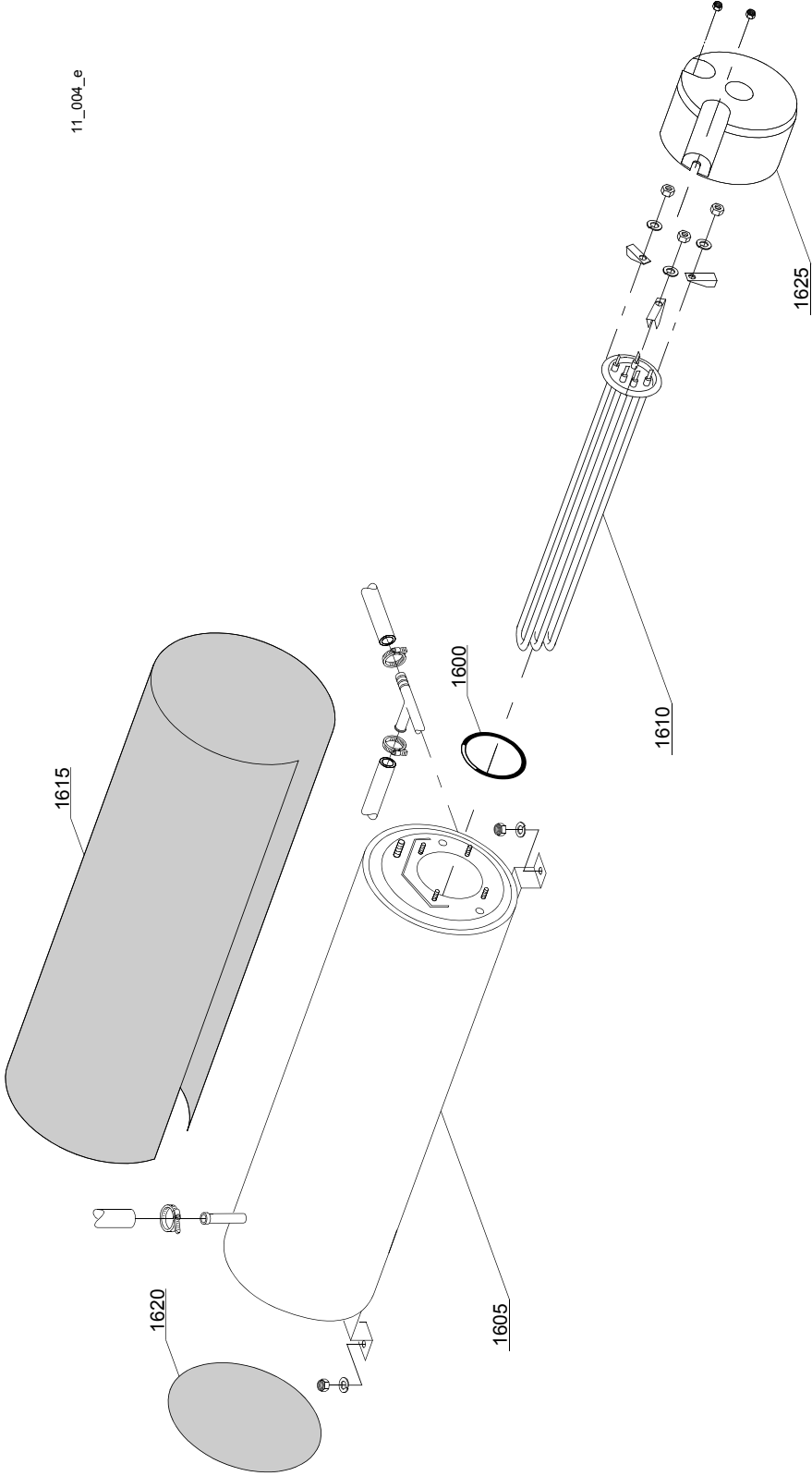
ID	P-code	SN from	SN to	Mod.	Acces.	Volt	Description
Module: Rinse aid dispenser group							
1500	10798		-				Rinse dosing device
1505	12525		-				Counter-weight
1510	15058		-				Suction filter (minimum 3 pieces)
1515	10798/B		-				Brass pipe fitting

em=ELECTROMECHANICAL SWITCHES, e=ELECTRONICAL SWITCHES, dc=DOUBLE BODY VERSION,
uw=LOWER AND UPPER VERSION

70U=70U

bp=BOOSTER PUMP, dvgw=DVGW, dd=DETERGENT DISPENCER, dp=DRAIN PUMP, bt=BREAK TANK

A=3/N/PE~380-400V 50-60Hz, D=3/PE~200-210V 50-60Hz, F=2/PE~220-240V 50-60Hz, G=3/N/PE~415V 50-60Hz,
H=3/PE~220-230V 50-60Hz, K=3/PE~380-400V 50-60Hz, L=3/PE~415V 50-60Hz, M=3/PE~440V 60Hz, P=1/N/PE~220-
230V 50-60Hz, R=2/PE~220-240V 50-60Hz, U=1/N/PE~240V 50-60Hz, V=3/PE~240V 50-60Hz, W=1/N/PE~100-110V
50-60Hz



11_004_e

Spare parts

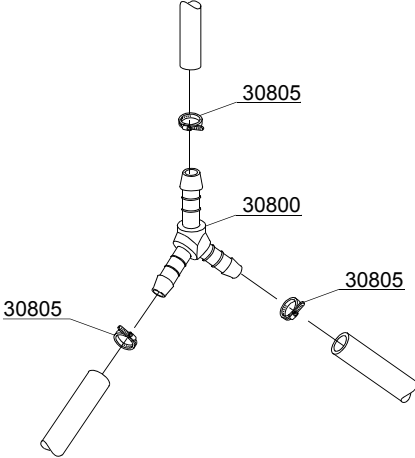
ID	P-code	SN from	SN to	Mod.	Acces.	Volt	Description
Module:Boiler group							
1600	13015		-				Gasket OR 6225 (minimum 5 pieces)
1605	22002		-				Boiler
1610	30001010		-			A,F,G,H,K,L,P, R,U,V	Heating element 6/6,53KW 230/240V 3
1610	30001011		-			A,F,G,H,K,L,P, R,U,V	Heating element 9/9,8KW 230/240V 3
1615	30002030		-				Insulation boiler
1620	75205		-				Ø160 end piece (minimum 2 pieces)
1625	75311		-				Casing

em=ELECTROMECHANICAL SWITCHES, e=ELECTRONICAL SWITCHES, dc=DOUBLE BODY VERSION,
uw=LOWER AND UPPER VERSION

70U=70U

bp=BOOSTER PUMP, dvgw=DVGW, dd=DETERGENT DISPENCER, dp=DRAIN PUMP, bt=BREAK TANK

A=3/N/PE~380-400V 50-60Hz, D=3/PE~200-210V 50-60Hz, F=2/PE~220-240V 50-60Hz, G=3/N/PE~415V 50-60Hz,
H=3/PE~220-230V 50-60Hz, K=3/PE~380-400V 50-60Hz, L=3/PE~415V 50-60Hz, M=3/PE~440V 60Hz, P=1/N/PE~220-
230V 50-60Hz, R=2/PE~220-240V 50-60Hz, U=1/N/PE~240V 50-60Hz, V=3/PE~240V 50-60Hz, W=1/N/PE~100-110V
50-60Hz



12_003ae

Spare parts

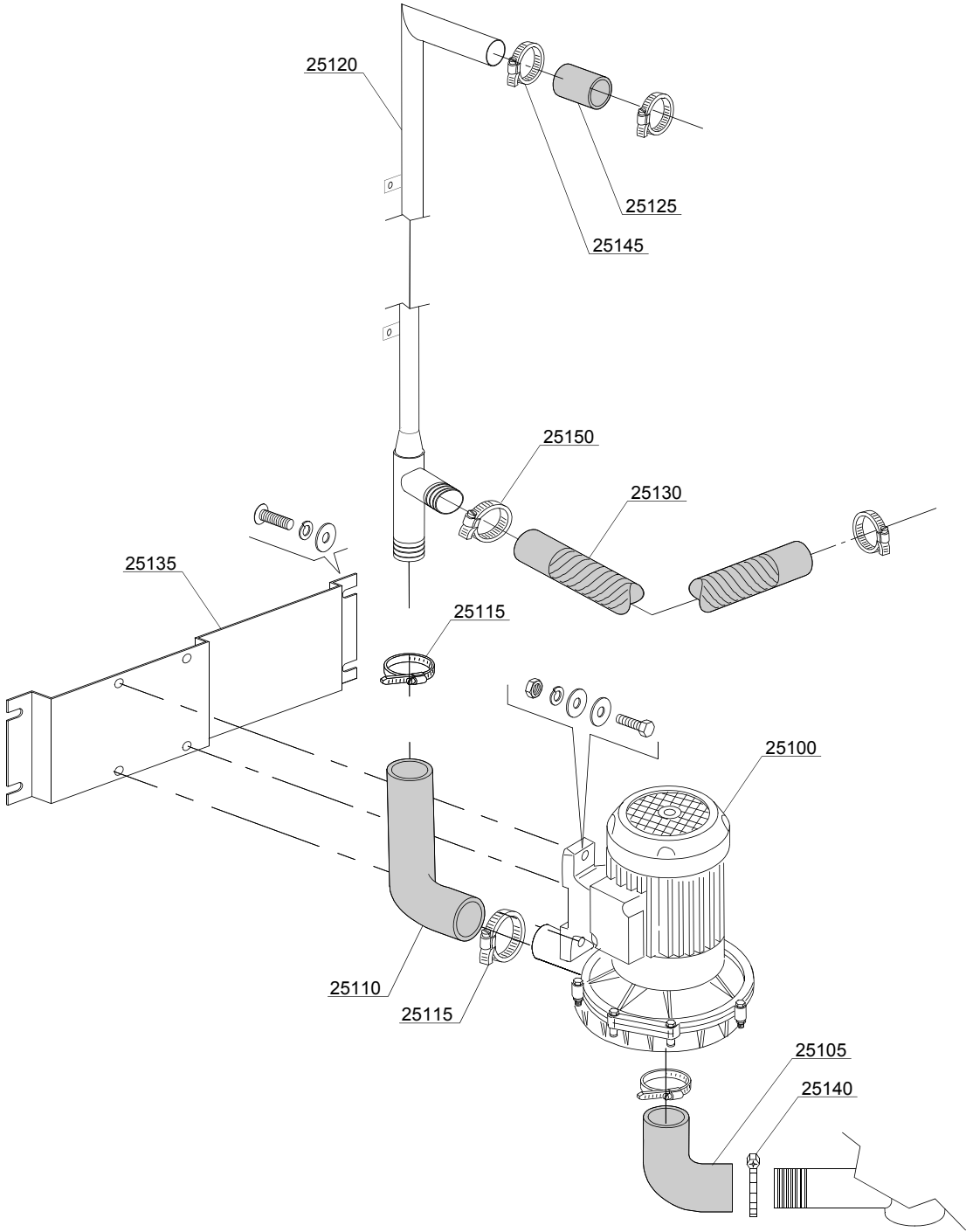
ID	P-code	SN from	SN to	Mod.	Acces.	Volt	Description
Module:3 ways connection							
30800	540091		-				Ø12 mm plastic 3 ways connection
30805	11807		-				Clamp 12-22 (minimum 3 pieces)

em=ELECTROMECHANICAL SWITCHES, e=ELECTRONICAL SWITCHES, dc=DOUBLE BODY VERSION,
uw=LOWER AND UPPER VERSION

70U=70U

bp=BOOSTER PUMP, dvgw=DVGW, dd=DETERGENT DISPENCER, dp=DRAIN PUMP, bt=BREAK TANK

A=3/N/PE~380-400V 50-60Hz, D=3/PE~200-210V 50-60Hz, F=2/PE~220-240V 50-60Hz, G=3/N/PE~415V 50-60Hz,
H=3/PE~220-230V 50-60Hz, K=3/PE~380-400V 50-60Hz, L=3/PE~415V 50-60Hz, M=3/PE~440V 60Hz, P=1/N/PE~220-
230V 50-60Hz, R=2/PE~220-240V 50-60Hz, U=1/N/PE~240V 50-60Hz, V=3/PE~240V 50-60Hz, W=1/N/PE~100-110V
50-60Hz



13_116_e

Spare parts

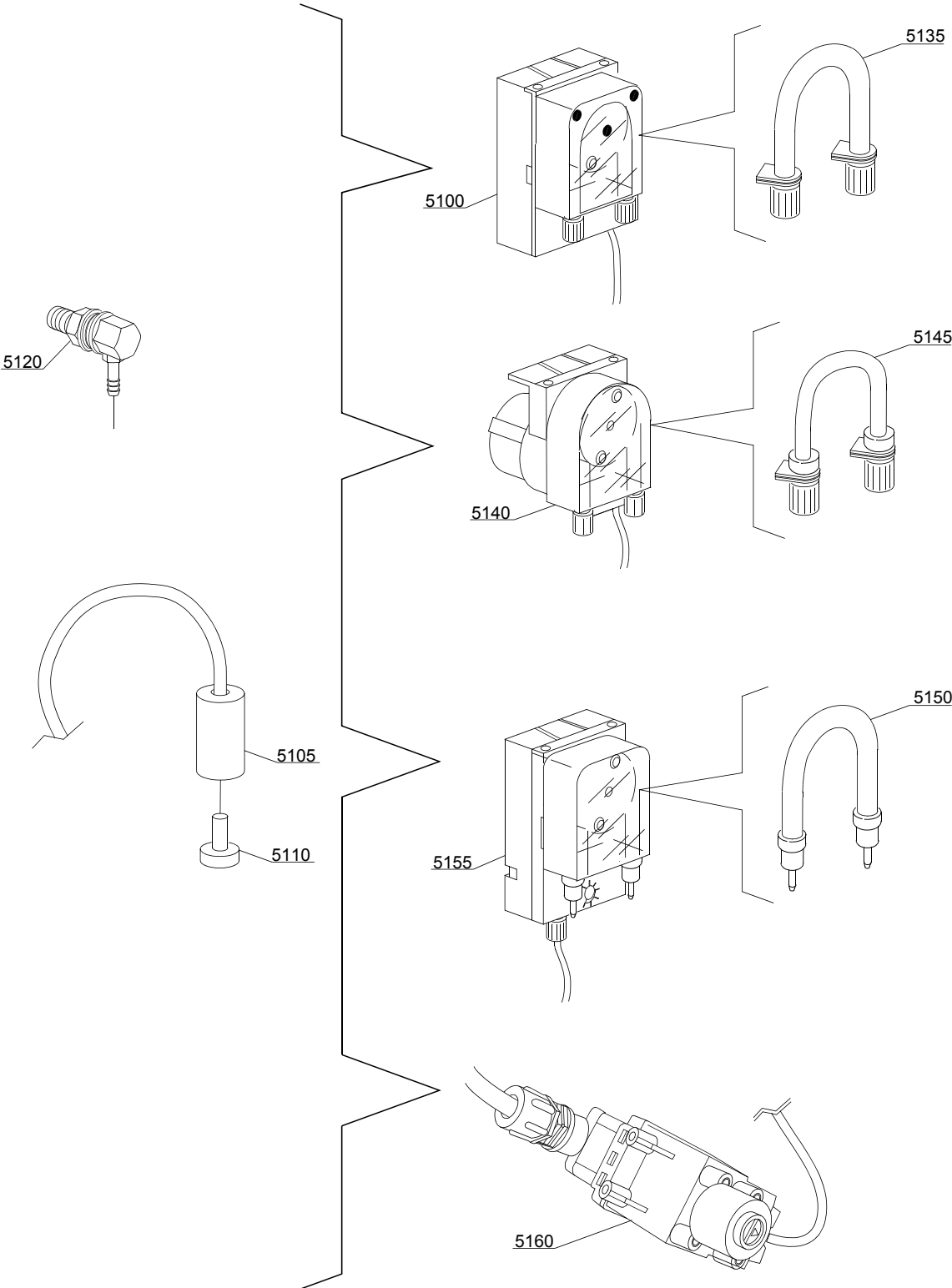
ID	P-code	SN from	SN to	Mod.	Acces.	Volt	Description
Module: Wash pump							
25100	88106		-	uw		A,F,H,K,P	wash pump 2,7Hp/2kW 50Hz
25100	88106/E		-	uw		G,L,U,V	wash pump - 2,7Hp/2kW 50Hz 240/415V
25105	3002022		-	uw			Suction pipe coupling
25110	15032/B		-	uw			Top delivery pipe
25115	11824		-	uw			50/70 clamp (minimum 2 pieces)
25120	90002		-	uw			Wash ramp
25125	90029		-	uw			34x45x250 pipe
25130	90030		-	uw			45x55x280 pipe
25135	90917		-	uw			Pump support
25140	2902491		-	uw			60-80 clamp (minimum 2 pieces)
25145	11809		-	uw			30/45 clamp (minimum 2 pieces)
25150	11810		-	uw			40/60 clamp (minimum 2 pieces)

em=ELECTROMECHANICAL SWITCHES, e=ELECTRONICAL SWITCHES, dc=DOUBLE BODY VERSION,
uw=LOWER AND UPPER VERSION

70U=70U

bp=BOOSTER PUMP, dvgw=DVGW, dd=DETERGENT DISPENCER, dp=DRAIN PUMP, bt=BREAK TANK

A=3/N/PE~380-400V 50-60Hz, D=3/PE~200-210V 50-60Hz, F=2/PE~220-240V 50-60Hz, G=3/N/PE~415V 50-60Hz,
H=3/PE~220-230V 50-60Hz, K=3/PE~380-400V 50-60Hz, L=3/PE~415V 50-60Hz, M=3/PE~440V 60Hz, P=1/N/PE~220-
230V 50-60Hz, R=2/PE~220-240V 50-60Hz, U=1/N/PE~240V 50-60Hz, V=3/PE~240V 50-60Hz, W=1/N/PE~100-110V
50-60Hz



14_004_e

Spare parts

ID	P-code	SN from	SN to	Mod.	Acces.	Volt	Description
Module:Dosing detergent group							
5100	15985		-		dd		Seko detergent pump
5105	12525		-		dd		Counter-weight
5110	15058		-		dd		Suction filter (minimum 3 pieces)
5120	15123		-		dd		Steel injector
5125	15159		-		dd		OR O-ring (minimum 2 pieces)
5130	10200205		-		dd		Nut m12x1 (minimum 2 pieces)
5135	15185		-		dd		Ø 10 Seko thermoplastic pipe
5140	15985		-		dd		Germac detergent pump
5145	15108/E		-		dd		Ø 8 Germac thermoplastic pipe
5150	15985/A		-		dd		Ø 10 PLAS CONT thermoplastic pipe
5155	15985		-		dd		PLAS CONT detergent pump
5160	15108/L		-		dd		LANG detergent pump

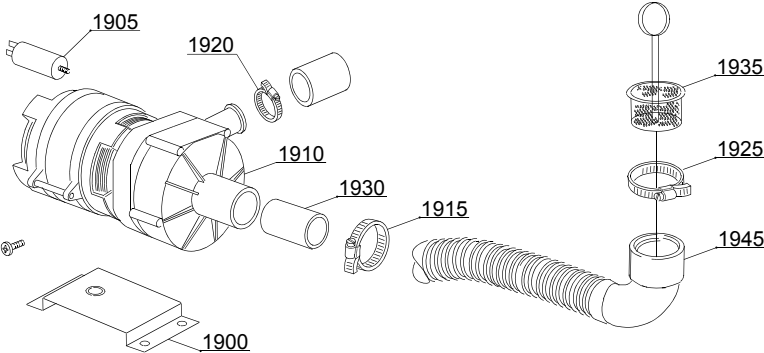
em=ELECTROMECHANICAL SWITCHES, e=ELECTRONICAL SWITCHES, dc=DOUBLE BODY VERSION,
uw=LOWER AND UPPER VERSION

70U=70U

bp=BOOSTER PUMP, dvgw=DVGW, dd=DETERGENT DISPENCER, dp=DRAIN PUMP, bt=BREAK TANK

A=3/N/PE~380-400V 50-60Hz, D=3/PE~200-210V 50-60Hz, F=2/PE~220-240V 50-60Hz, G=3/N/PE~415V 50-60Hz,
H=3/PE~220-230V 50-60Hz, K=3/PE~380-400V 50-60Hz, L=3/PE~415V 50-60Hz, M=3/PE~440V 60Hz, P=1/N/PE~220-
230V 50-60Hz, R=2/PE~220-240V 50-60Hz, U=1/N/PE~240V 50-60Hz, V=3/PE~240V 50-60Hz, W=1/N/PE~100-110V
50-60Hz

15_003_e



Spare parts

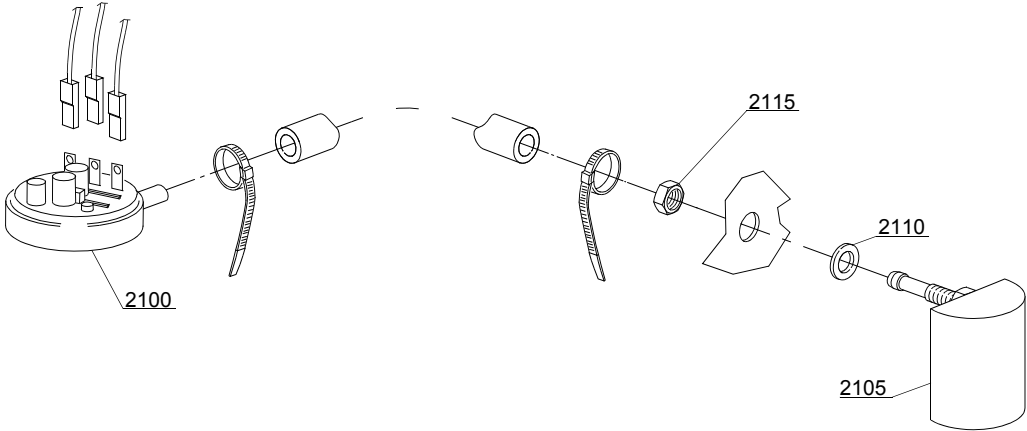
ID	P-code	SN from	SN to	Mod.	Acces.	Volt	Description
Module: Drain pump group							
1900	440122		-		dp		Pump support
1905	10702		-		dp		5 uF condenser
1910	10501/A		-		dp	A,F,G,H,K,L,P,R, U,V	Drain pump 0,10Hp/190W 230V 50Hz
1915	11806		-		dp		25/40 clamp (minimum 2 pieces)
1920	11836		-		dp		20/32 clamp (minimum 2 pieces)
1925	11809		-		dp		30/45 clamp (minimum 2 pieces)
1930	18044		-		dp		Ø28 top wash pipe

em=ELECTROMECHANICAL SWITCHES, e=ELECTRONICAL SWITCHES, dc=DOUBLE BODY VERSION,
uw=LOWER AND UPPER VERSION

70U=70U

bp=BOOSTER PUMP, dvgw=DVGW, dd=DETERGENT DISPENCER, dp=DRAIN PUMP, bt=BREAK TANK

A=3/N/PE~380-400V 50-60Hz, D=3/PE~200-210V 50-60Hz, F=2/PE~220-240V 50-60Hz, G=3/N/PE~415V 50-60Hz,
H=3/PE~220-230V 50-60Hz, K=3/PE~380-400V 50-60Hz, L=3/PE~415V 50-60Hz, M=3/PE~440V 60Hz, P=1/N/PE~220-
230V 50-60Hz, R=2/PE~220-240V 50-60Hz, U=1/N/PE~240V 50-60Hz, V=3/PE~240V 50-60Hz, W=1/N/PE~100-110V
50-60Hz



16_001_e

Spare parts

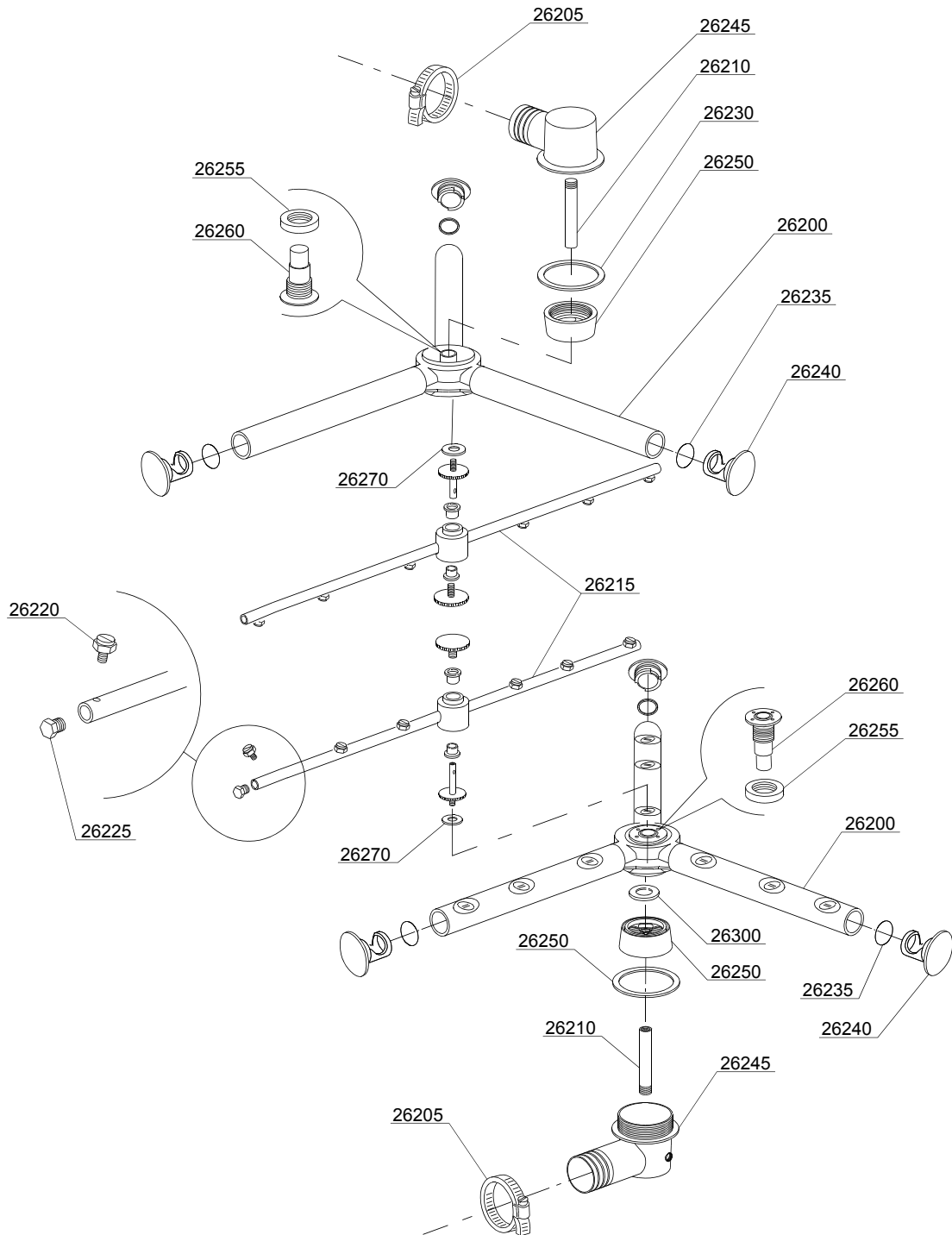
ID	P-code	SN from	SN to	Mod.	Acces.	Volt	Description
Module:Pressure switch group with air trap							
2100	90023		-				Pressure switch
2105	135911		-				Air trap
2110	13301		-				Gasket 14x8x1,5 (minimum 10 pieces)
2115	11702		-				Nut M8 (minimum 10 pieces)

em=ELECTROMECHANICAL SWITCHES, e=ELECTRONICAL SWITCHES, dc=DOUBLE BODY VERSION,
uw=LOWER AND UPPER VERSION

70U=70U

bp=BOOSTER PUMP, dvgw=DVGW, dd=DETERGENT DISPENCER, dp=DRAIN PUMP, bt=BREAK TANK

A=3/N/PE~380-400V 50-60Hz, D=3/PE~200-210V 50-60Hz, F=2/PE~220-240V 50-60Hz, G=3/N/PE~415V 50-60Hz,
H=3/PE~220-230V 50-60Hz, K=3/PE~380-400V 50-60Hz, L=3/PE~415V 50-60Hz, M=3/PE~440V 60Hz, P=1/N/PE~220-
230V 50-60Hz, R=2/PE~220-240V 50-60Hz, U=1/N/PE~240V 50-60Hz, V=3/PE~240V 50-60Hz, W=1/N/PE~100-110V
50-60Hz



Spare parts

ID	P-code	SN from	SN to	Mod.	Acces.	Volt	Description
Module:Turret group with rotating arms							
26200	90004		-	uw			Upper/lower complet wash rotor
26205	11810		-	uw			40/60 clamp (minimum 2 pieces)
26210	90010		-	uw			Top axle extension
26215	90003		-	uw			Rinse group
26220	560018		-	uw			Stainless steel rinse nozzle
26225	560017		-	uw			Rinse arm plug
26230	80208		-	uw			95x75x3 O-ring (minimum 2 pieces)
26235	13023		-	uw			OR 131 (4093) NBR O-ring (minimum 10 pieces)
26240	3003029		-	uw			Plug
26245	90008		-	uw			Lower turret
26250	90009		-	uw			Turret fixing hub
26255	75317		-	uw			Nut for wash arm bearing
26260	75316		-	uw			Hub for rotor
26270	90031		-	uw			Sliding washer
26300	11600033		-	uw			Flow reduction ring

em=ELECTROMECHANICAL SWITCHES, e=ELECTRONICAL SWITCHES, dc=DOUBLE BODY VERSION,
uw=LOWER AND UPPER VERSION

70U=70U

bp=BOOSTER PUMP, dvgw=DVGW, dd=DETERGENT DISPENCER, dp=DRAIN PUMP, bt=BREAK TANK

A=3/N/PE~380-400V 50-60Hz, D=3/PE~200-210V 50-60Hz, F=2/PE~220-240V 50-60Hz, G=3/N/PE~415V 50-60Hz,
H=3/PE~220-230V 50-60Hz, K=3/PE~380-400V 50-60Hz, L=3/PE~415V 50-60Hz, M=3/PE~440V 60Hz, P=1/N/PE~220-
230V 50-60Hz, R=2/PE~220-240V 50-60Hz, U=1/N/PE~240V 50-60Hz, V=3/PE~240V 50-60Hz, W=1/N/PE~100-110V
50-60Hz