



**CB 134**

# LIST OF THE EXPLODED VIEWS



*SHELL ASSY*

*COOLING SYSTEM*

*HYDRAULIC CIRCUIT*

*SPRAYER PUMP*

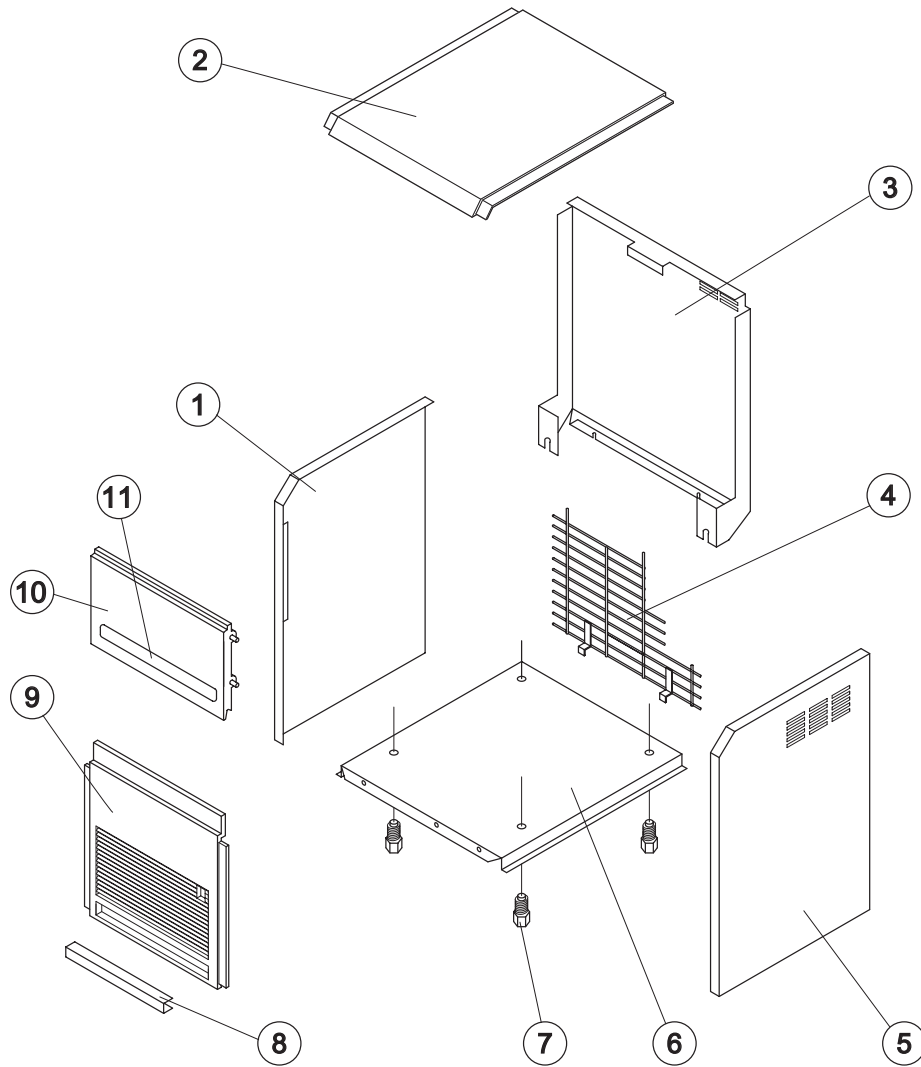
*ELECTRIC PARTS*

Rev. 0 - 24/07/2007



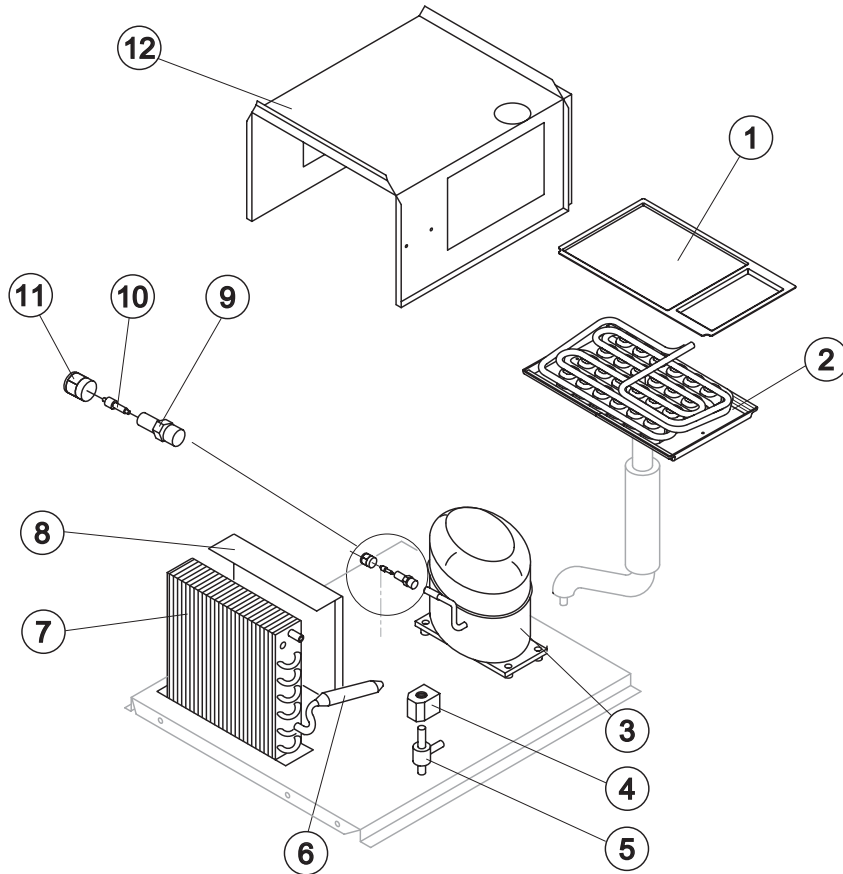
# CB 134

# SHELL ASSY



Ref.	Spare Description	Code
1	Left Side Panel	10105
2	Top	10102
3	Rear Panel	21064
4	Rear Grid	D12028
5	Right Side Panel	10099
6	Base Plate	21062
7	Foot	10017
8	Screws Cover	10098
9	Front Grid Panel	10101
10	Door	10103
11	Door Plate	24279

Rev. 0 - 24/07/2007



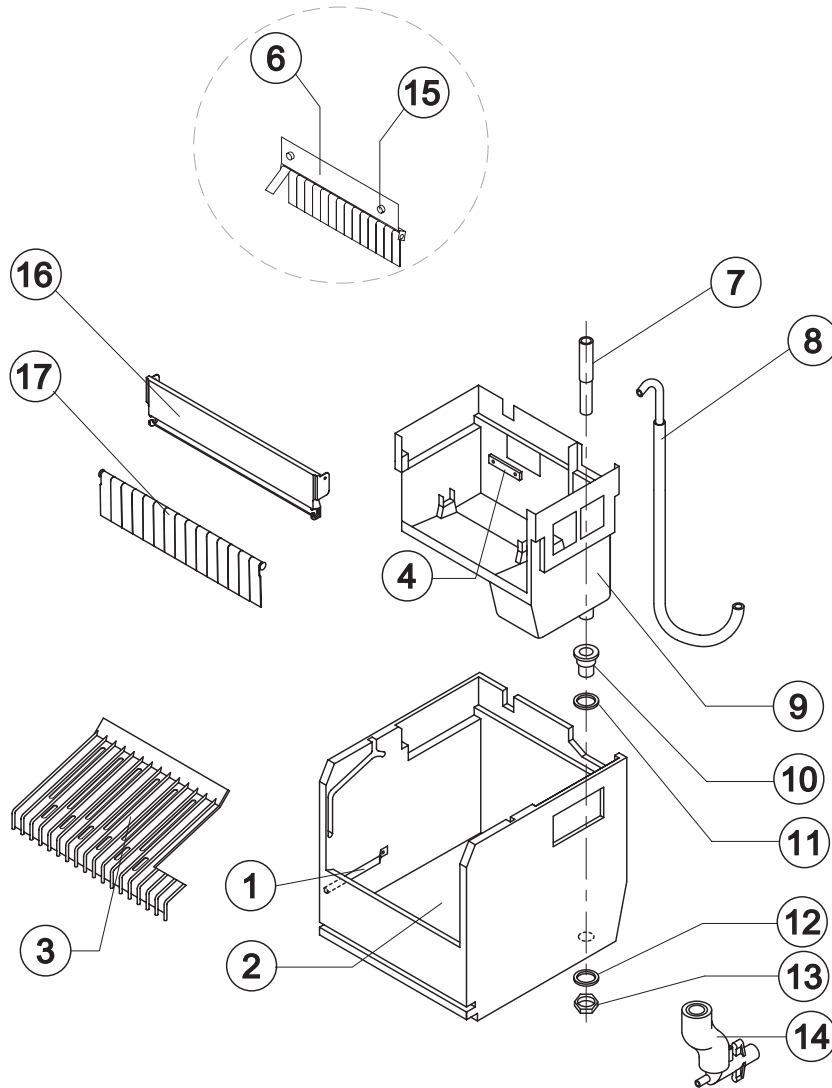
Ref.	Spare Description	Code
1	Evaporator Cover Panel	10498
2	Evaporator	D10079
3	Compressor	23857
4	Hot Gas Valve Coil	23854
5	Hot Gas Valve Body	20853
6	Molecular Drier	14009
7	Air Condenser	20854
8	Air Condenser Conveyor	10520
9	Vacuum-Charge Valve Body	14007
10	Vacuum-Charge Valve Device	14005
11	Vacuum-Charge Valve Plug	14006
12	Bin Support Saddle	22095



# CB 134

# HYDRAULIC CIRCUIT

Rev. 0 - 24/07/2007

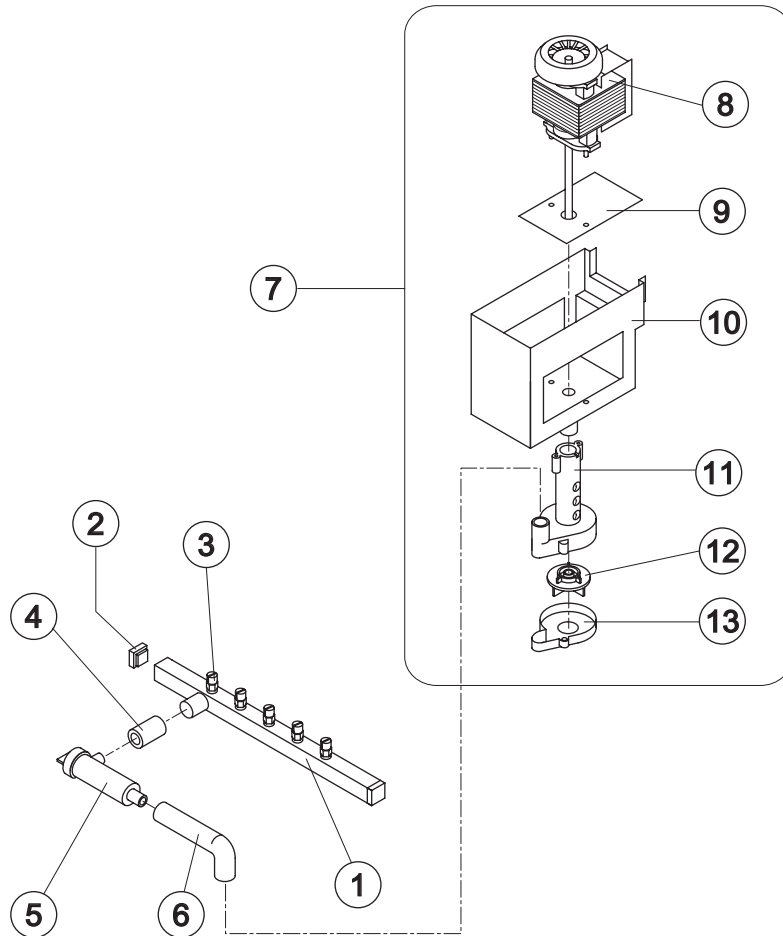


Ref.	Spare Description	Code
1	Bulbe- holder pipe	10520
2	Foamed Bin	R11016/E
3	Ice Cubes Slide	10136
4	Slide Keep Plate	10142
6	Panel with Flags	Till s/n. 380376 C22106
7	Overflow Pipe	13028
8	Evaporator Feeding Pipe Assy	C20535
9	Inner Basin	10064
10	Water Outlet Nipple	10472
11	Silicone Gaske	13006
12	Semirigid Polyethylene Gasket	13007
13	Bin Discharge Nu	10096
14	Discharges Manifold	C10006
15	Fixing Screw	Till s/n. 380376 20009
16	Flags ABS Support	Current Version 10530
17	Flags with Rod	Current Version C10532



# CB 134

## SPRAYER PUMP

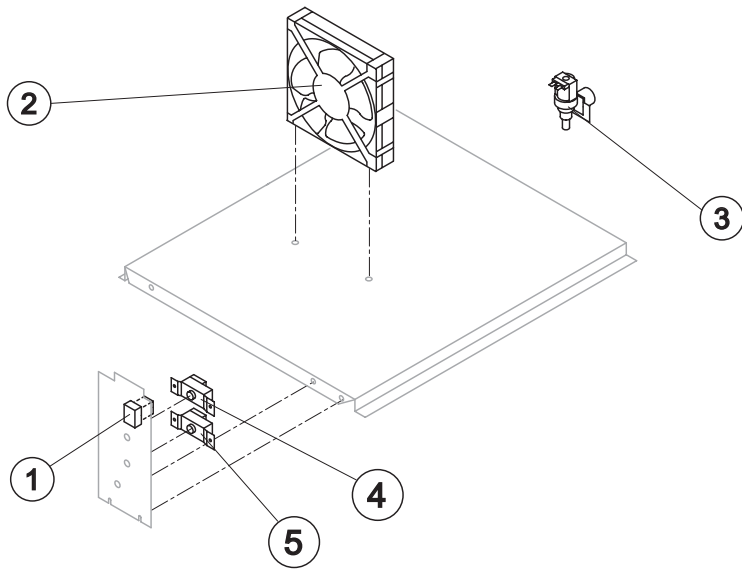
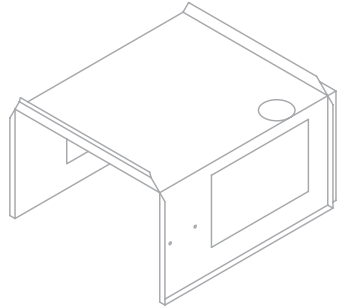


Rif.	Descrizione Ricambio	Codice
1	Sprayers Bar Assembly	C20147
2	Sprayers Bar Plug	10012
3	Sprayers	D20002
4	Filter-Sprayers Bar Connection Pipe	13056
5	Pump Filter	10139
6	Pump-Filter Connection Pipe	13055
7	Pump Assy	C23076
8	Pump Motor	23073
9	Heat Dissipator	22430
10	Pump Motor Box	10073
11	Pump Body	10065
12	Pump Impeller	10066
13	Diffusor	10067



# CB 134

## ELECTRIC PARTS



Ref.	Spare Description	Code
1	Green Light Switch (On-Off)	23078
2	Fan Motor	23856
3	1 way - Water Inlet Valve	23497
4	Bin Thermostat	R23005
5	Evaporator Thermostat	R23591