

**M B M**

**SPARE PARTS CATALOGUE  
ERSATZTEILKATALOG  
CATALOGUE PIECES DETACHEES  
CATALOGO PARTI RICAMBIO  
CATALOGO DE PIEZAS DE RECAMBIO  
CATALOGO PEÇAS DE REPOSICAO**

**LOD 202**

**23-04-2009**

# LOD 202

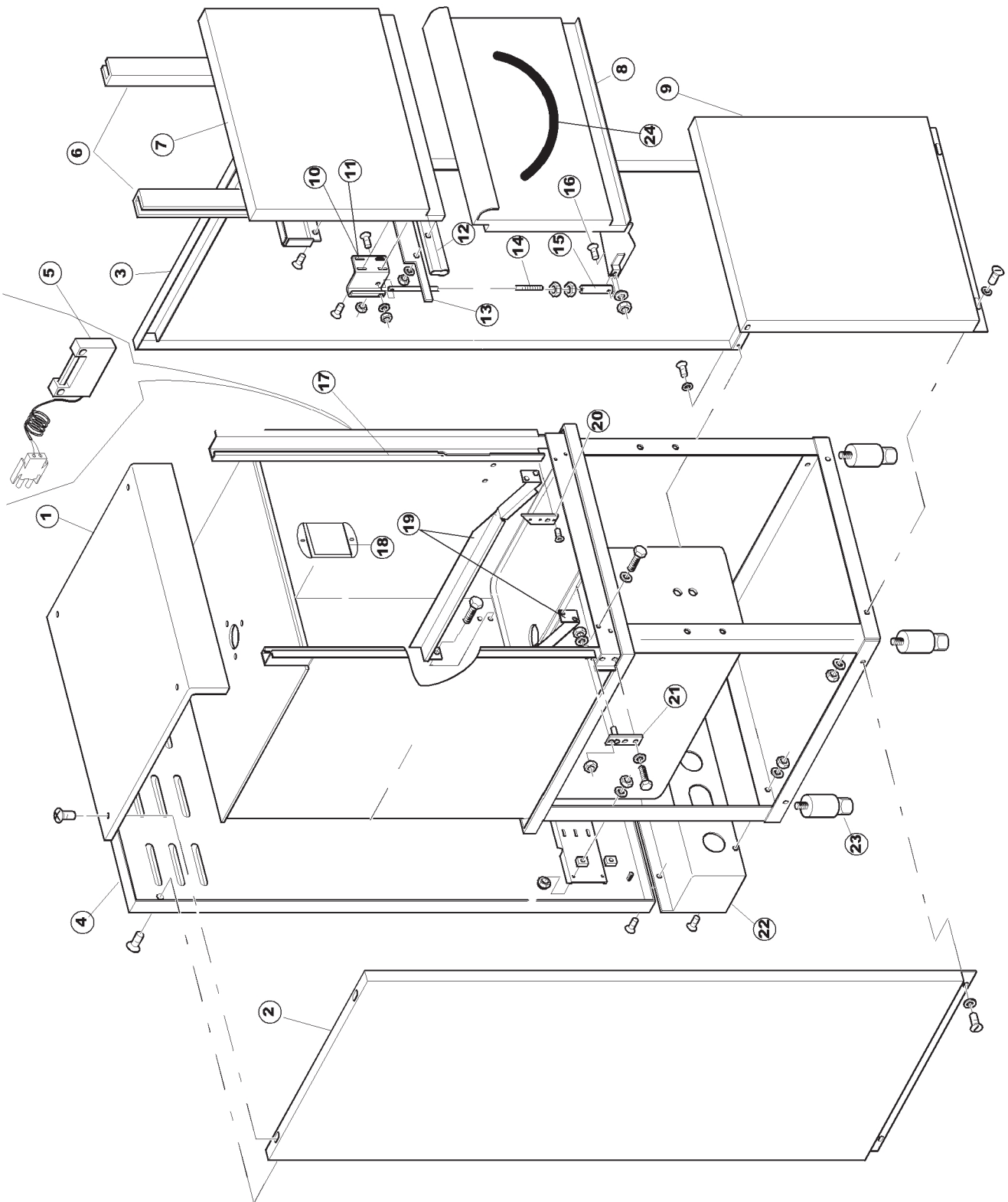
Tav.1: Carrozzeria  
Tav.2: Impianto elettrico  
Tav.3: Componenti in vasca  
Tav.4: Circuito di lavaggio  
Tav.5: Circuito di risciacquo  
Tav.6: Lance di lavaggio  
Tav.7: Pompa di lavaggio

Tav.1: Machine body  
Tav.2: Electrical components  
Tav.3: Components in the tank  
Tav.4: Washing circuit  
Tav.5: Rinsing circuit  
Tav.6: Washing arms  
Tav.7: Washing pump

Tab.1: Carrocería  
Tab.2: Instalación eléctrica  
Tab.3: Componentes en cuba  
Tab.4: Circuito de lavado  
Tab.5: Circuito d'enjuague  
Tab.6: Brazos de lavado  
Tab.7: Bomba de lavado

Tab.1: Carrosserie  
Tab.2: Installation électrique  
Tab.3: Composants de cuve  
Tab.4: Circuit de lavage  
Tab.5: Circuit de rinçage  
Tab.6: Bras de lavage  
Tab.7: Pompe de lavage

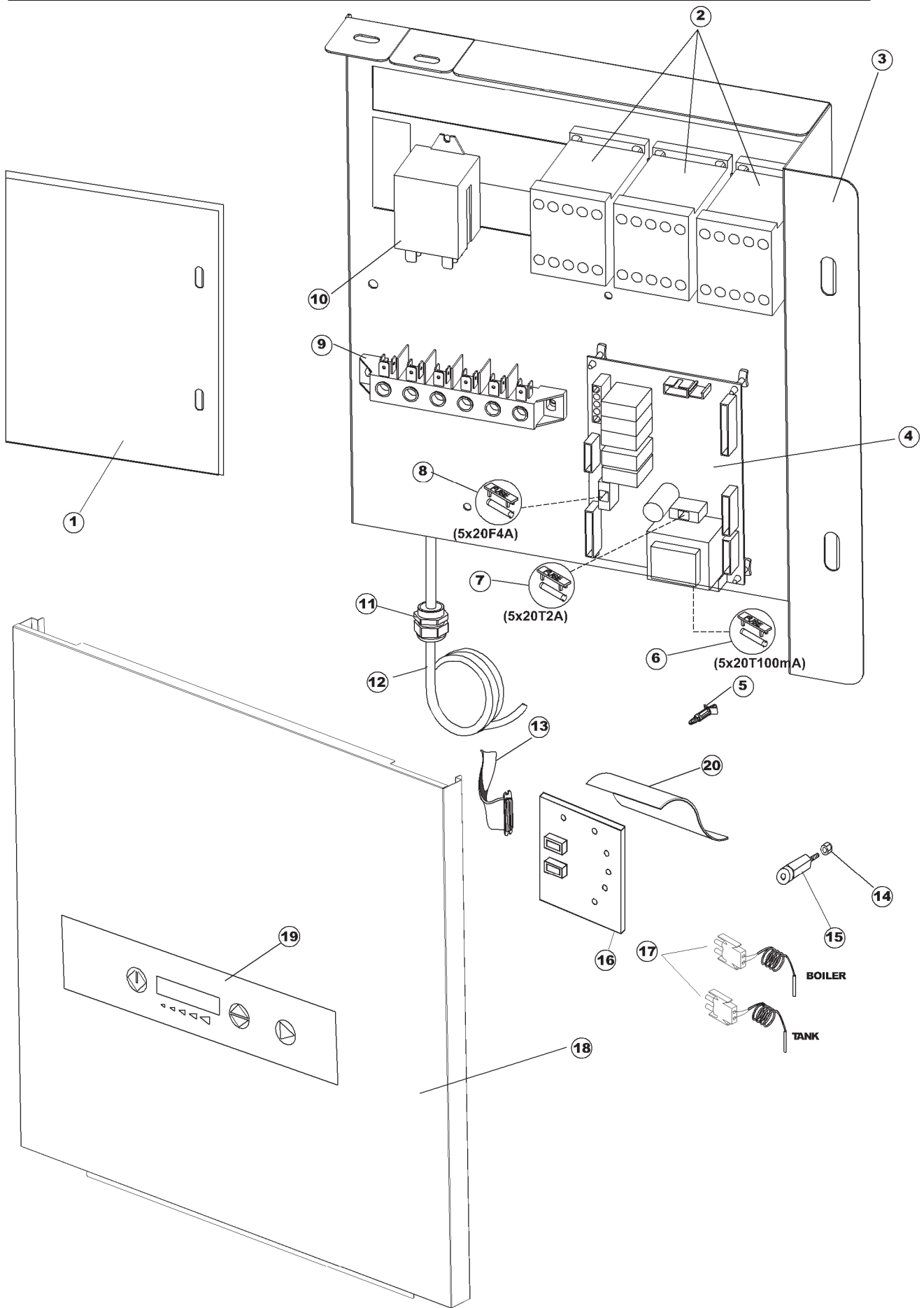
Taf.1: Verkleidung  
Taf.2: Elektrische Anlage  
Taf.3: Bauteile im Waschtank  
Taf.4: Spuelschaltung  
Taf.5: Nachspuelschaltung  
Taf.6: Wascharme  
Taf.7: Spuelpumpe



# Pagina 1

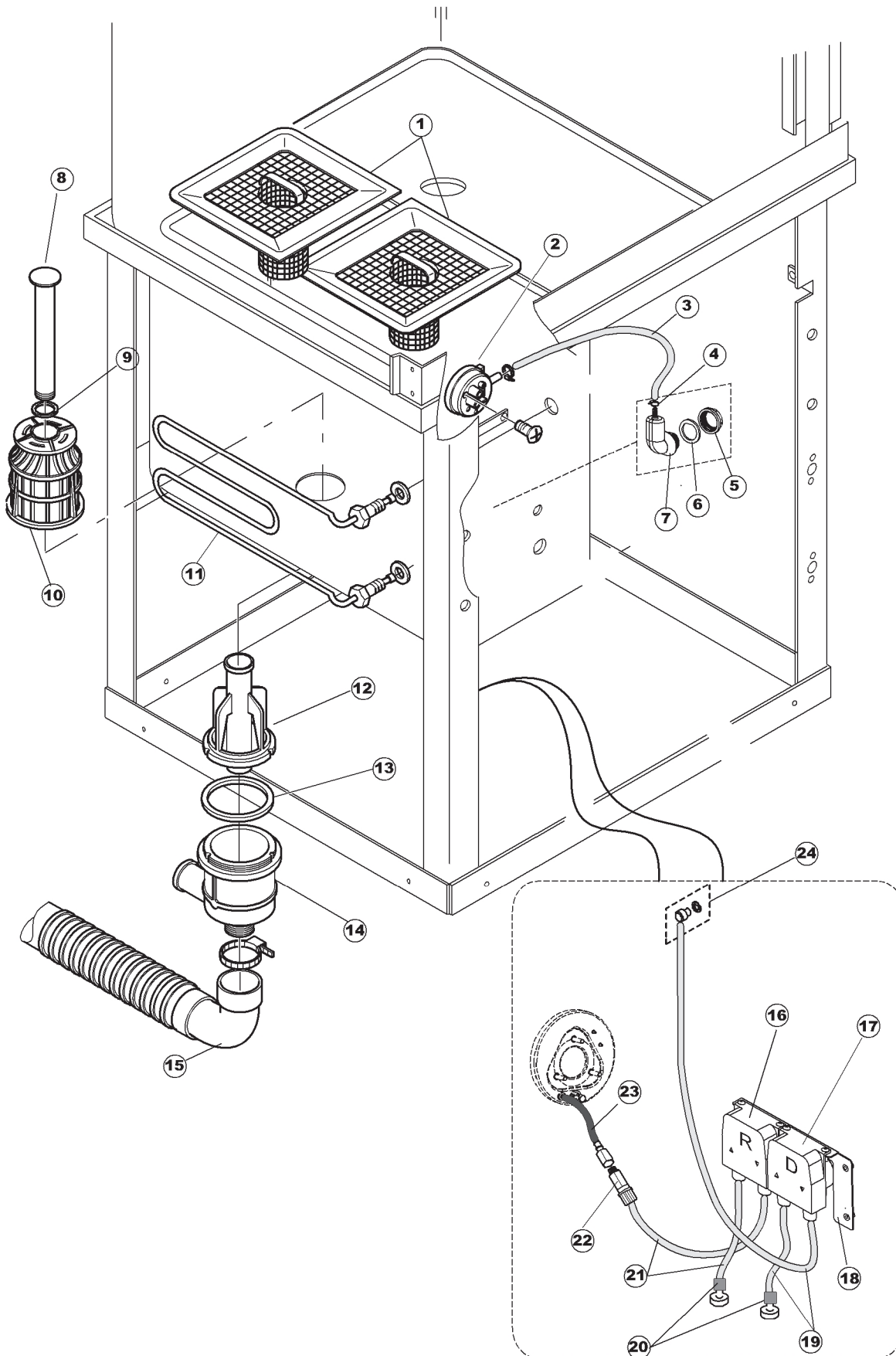
1	41118	PANNELLO SUPERIORE PER LAVAPENTOLE UPPER PANEL FOR POT AND PAN WASHER PANEEL - OBEN - FUER KOCHTOEPFESPUELER PANNEAU SUPERIEUR POUR LAVE-CASSEROLES	
2	41110	PANNELLO LATERALE SINISTRO COMPLETO PER SIDE PANEL - LEFT - ASSY FOR POT AND PAN SEITLICHES PANEEL - LINKS - KOMPLETT FUE PANNEAU LATERAL GAUCHE, COMPLET POUR	
3	41114	PANNELLO LATERALE DESTRO PER LAVAPENTOLE SIDE PANEL - RIGHT - FOR POT AND PAN WAS SEITLICH PANEEL - RECHTS - FUER KOCHTOEP PANNEAU LATERAL DROIT, COMPLET - POUR LA	
4	41122	PANNELLO POSTERIORE SUPERIORE PER LAVAPE UPPER REAR PANEL FOR POT AND PAN WASHER HINTERES OBERPANEEL FUER KOCHTOPFSPUELER PANNEAU ARRIER SUPERIEUR POUR LAVE-CASSE	
5	211002AG	CONTATTO MAGNETICO MAGNETIC DOOR SWTCH TUERKONTAK SCHALTER CONTACT MAGNETIQUE	
6	41038	GUIDA SCORREVOLE PER SPORTELLLO SUPERIORE DOOR SLIDING GUIDE - UPPER FOR POT AND P TUER-GLEITENDER BAHN - OBEN - FUER KOCHT GUIDE GLISSANTE PORTE SUPERIEURE POUR LA	
7	41080	SPORTELLLO SUPERIORE COMPLETO PER LAVAPEN UPPER DOOR, ASSY FOR POT AND PAN WASHERS TUER - OBEN - KOMPLETT - FUER KOCHTOEPFE PORTE SUPERIEURE COMPLETE POUR LAVE-CASS	
8	41640	PORTA INFERIORE LOWER DOOR TUER - OBEN - PORTE INFERIEURE	
9	41124	PANNELLO ANTERIORE LP101-105 COMPLETO PANNELLO ANTERIORE LP101-105 COMPLETO	
10	4108701	SQUADRA DESTRA AGGANCIIO TIRANTE RIGHT BRACKET FOR UPPER DOOR TIE ROD RECHT-HALTER FUER ANKUPPELN DER OBEREN EQUERRE DROITE ACCROCHAGE TIRANT	
11	4108801	SQUADRETTA SINISTRA AGGANCIIO TIRANTE LEFT BRACKET FOR UPPER DOOR TIE ROD LINK-HALTER FUER ANKUPPELN OBEREN EQUERRE DROITE ACCROCHAGE TIRANTE PORTE	
12	41247	GUARNIZIONE SPORTELLLO LAVAPENTOLE POT AND PAN WASHER DOOR PACKING DICHTUNG FUER TUER DER KOCHTOEPFESPUELER JOINT PORTE LAVE-CASSEROLES	
13	41197	SUPPORTO GUARNIZIONE SPORTELLLO SUPERIORE DOOR PACKING SUPPORT - UPPER - FOR POT A HALTERUNG FUER TUERPACKUNG - OBEN FUER K SUPPORT JOINT PORTE SUPERIEURE POUR LAVE	
14	4109301	TIRANTE SPORTELLLO PER LAVAPENTOLE DOOR TIE FOR POT AND PAN WASHERS LP ZUGSTANGE DER TUER FUER KOCHTOEPFESPUELE TIRANT PORTE POUR LAVE-CASSEROLES	
15	41095	BOCCOLA SUPERIORE TIRANTE SPORTELLLO PER UPPER BUSH FOR DOOR TIE FOR POT AND PAN OBERE BUCHSE FUER TUER-ZUGSTANGE FUER KO BOUCLE SUPERIEURE TIRANT PORTE POUR LAVE	
16	486078	VITE IN ACCIAIO INOSSIDABILE SPEC. STAINLESS STEEL SCREW 6MAX30 T.1/2 TC SCHRAUBE AUS NICHTROSTENDEM STAHL 6MAX30 VIS EN ACIER INOXYDABLE 6MAX30 T.1/2 TC	
17	929199	PIEDINO TIPO 30191.1.2 (NERO) FOOT TYPE 30191.1.2 (BLACK) FUSS TYP 30191.1.2 (SCHWARZ) VERRIN TYPE 30191.1.2 (NOIR)	

18	43527	PROTEZIONE GUARD SCHUTZVERKLEIDUNG PROTECTION	
19	41539	GUIDA CESTO RACK GUIDE KORBFUEHRUNG COULISSE PANIER	
20	4113501	SPESSORE LATERALE SPORTELLLO DX/SX DOOR SIDE THICKNESS - DX/SX DICKUNG - SEITLICH - DER TUER - DX/SX EPAISSEUR LATERAL PORTE DX/SX	
21	4114501	PIASTRINA PERNO SPORTELLLO PER LAVAPENTOL SMALL PLATE FOR DOOR PIN FOR POT AND PAN PLATCHEN FUER ZAPFEN TUER FUER KOCHTOEPF PLAQUE PETITE POUR PIVOT PORTE POUR LAVE	
22	41622	PANNELLO RETRO INFERIORE REAR PANEL RUECKWANDVERKLEIDUNG PANNEAU ARRIERE	
23	927006	PIEDE IN ACCIAIO INOSSIDABILE 2" M.H=85 STAINLESS STEEL FOOT 2" M.H=85 C/F+P.125 FUESS AUS NICHTROSTENDEM STAHL 2" M.H=85 VERRIN -ACIER INOXYDABLE 2" M.H=85 C/F+	



## Pagina 2

2	80350	CONTATTORE 230/50-60HZ CONTACTOR 230-50/60HZ KONTAKT-GEBER 230-50/60HZ CONTACTEUR 230-50/60HZ	
4	215032	SCHEDA ELETTRONICA GET50 MAIN BOARD KARTE CARTE ELECTRONIQUE	
5	CWP2	PIEDINI SUPPORTO SCHEDA ELET.(ART.DRA6A) FOOT FUSS PIED	
6	228012	FUSIBILE 5X20 T100MA FUZE SICHERUNG FUSIBLE	
7	228011	FUSIBILE 5X20 T2A FUZE SICHERUNG FUSIBLE	
8	228004	FUSIBILE 5X20 4A FAST FUZE SICHERUNG FUSIBLE	
9	220011	MORSETTIERA 5 POLI CON MORSETTO DI MESSA 5 POLES TERMINAL BOARD WITH EARTHING TER FUENFPOLIGE KLEMMLEISTE + ERDUNGSKLEMME PLAQUE A BORNE 5 POLES AVEC BORNE DE TER	
10	929115	RELE 16A FIN 6282/230AC RELAY 16A 230V 6282 RELAIS 16A 230V 6282 RELAIS 16A 230V 6282	
11	DEP521	PRESSACAPO PG21 (BER 4721) CABLE-WEIGHT KABELBESCHWERER PRESSE-CABLE	
13	80933	CAVO FLAT COMANDI SUPERIORI CAPOT CABLE FLAT CAPOT KABEL FLAT TRISSE LIAISON	
14	417119	DADO M3 PLASTICA BIANCO NUT M3 NYLON MUTTER M3 NYLON ECROU M3 NYLON	
15	419036	DISTANZIALE M3 INTERFACE BOARD DISTANCE KEEPERS ABSTANDSROHR ENTRETOISE X CARTE ELECTRONIQUE	
16	80900	TASTIERA COMANDI PER LAVASTOVIGLIE CONTROL KEYBOARD FOR DISHWASHERS BEDINGUNGEN-TESTENBRETT FUER GESHIRRSPUE TABLEAU A POUSSOIRS COMMANDES POUR LAVE	
17	231014	SONDA TEMPERATURA GET-5 TEMP. PROBE KUGEL SONDE	
18	41124	PANNELLO ANTERIORE LP101-105 COMPLETO PANNELLO ANTERIORE LP101-105 COMPLETO	
19	41511	POLIESTERE LOD 202-302-304-305	
20	69810	TENDINA COPERTURA TASTIERA PANNELLO CURTAIN VORHANG RIDEAU	

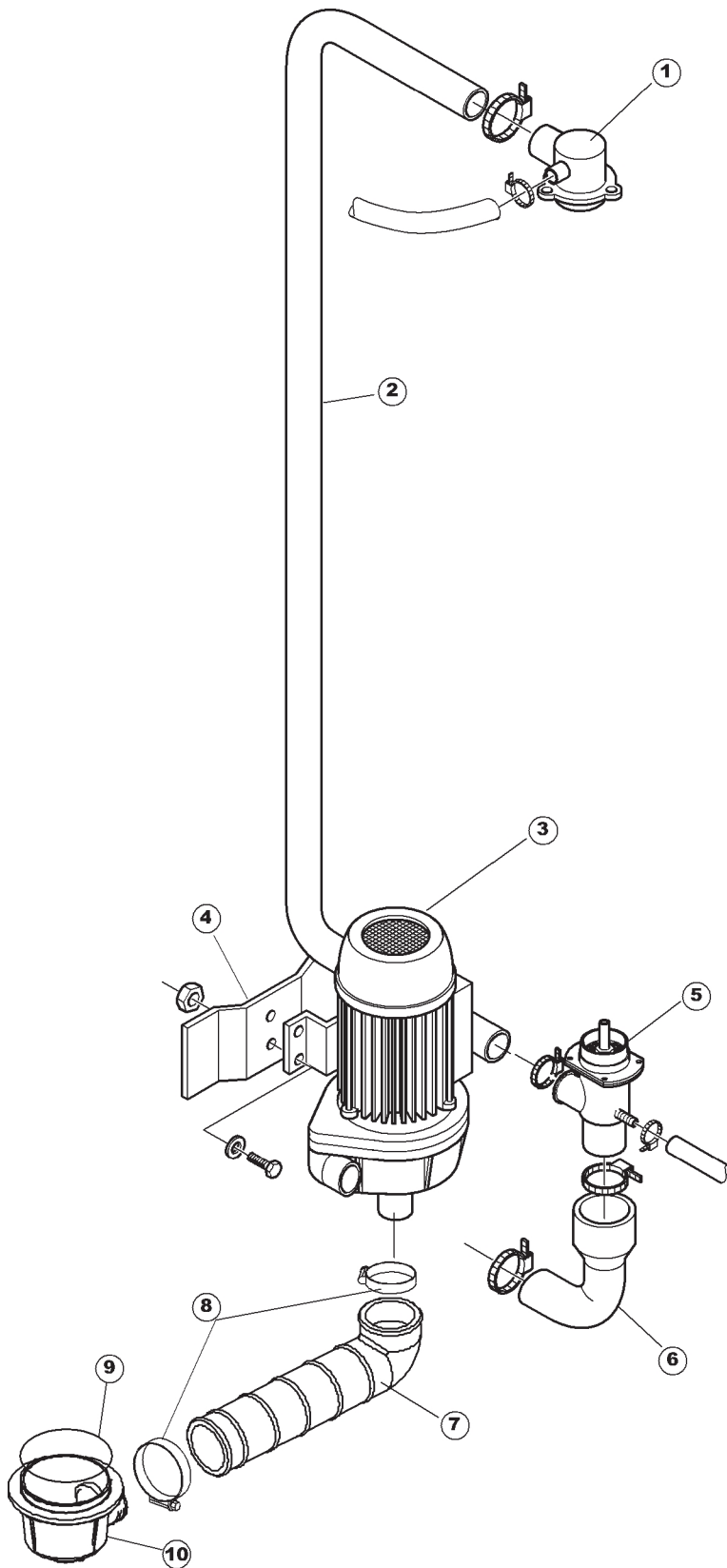




## Pagina 3

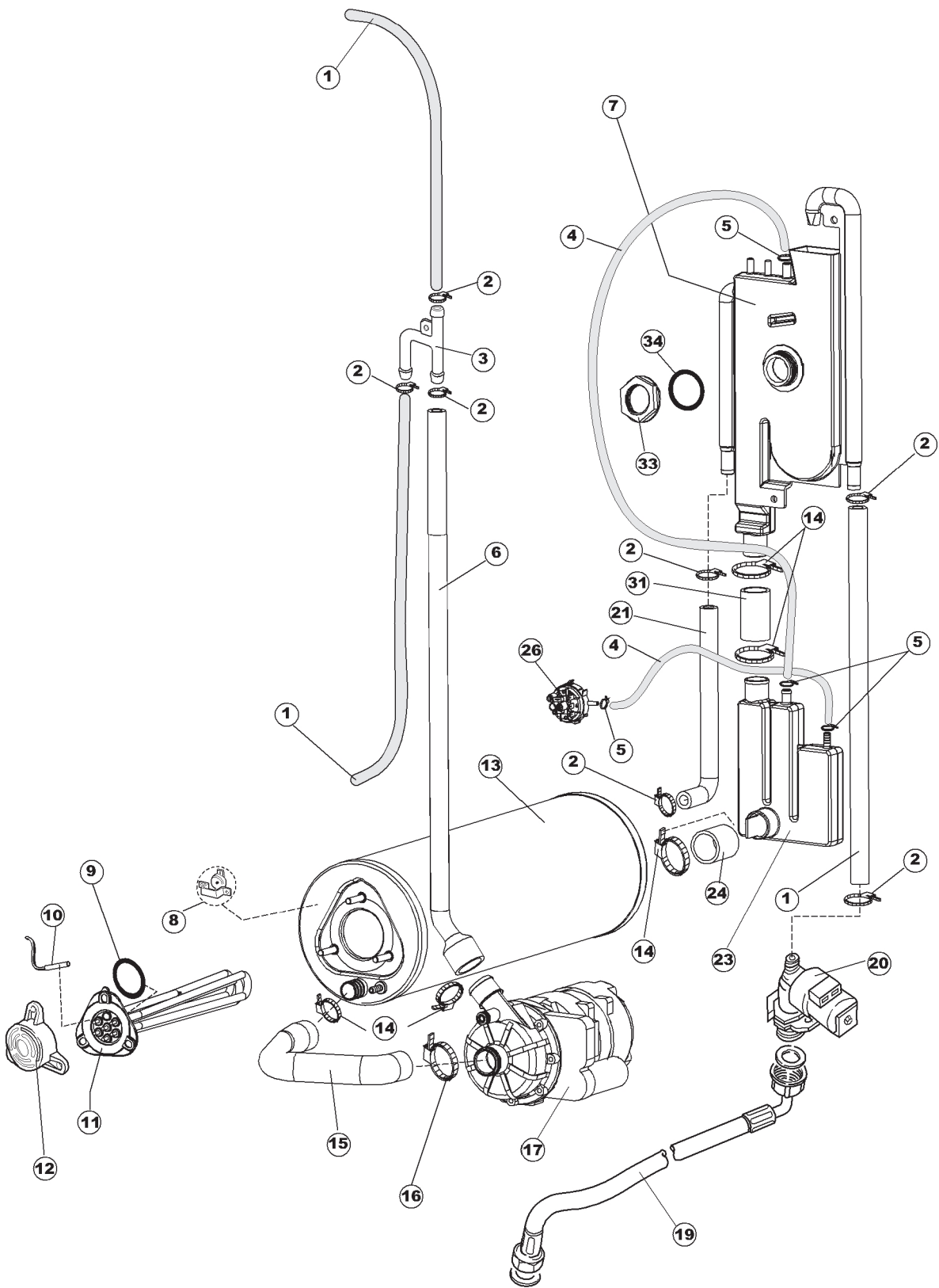
1	41157	FILTRO VASCA COMPLETO PER LAVAPENTOLE TANK FILTER, ASSY FOR POT AND PAN WASHER TANKSIEB, KOMPLETT - FUER KOECHTOEPFESPU FILTRE CUVE COMPLET, POUR LAVE-CASSEROLE	
2	926049	PRESSOSTATO TIPO 180-70 PRESSURE SWTCH TYPE 180-70 (S6533) DRUCKWAECHTER TYP 180-70 PRESSOSTAT TYPE 180-70	
3	143253	TUBO SILICONE 3X8 SILICON PIPE 3X8 SILIKONSCHLAUCH 3X8 TUYAU SILICONE 3X8	
4	CFF10073	FASCETTA A FILO 10073 COLLIER DE SERRAGE EN FIL D'ACIER 10073 SCHLAUGSCHELLE AUS DRAHT 10073 WIRE HOSECLAMP 10073	
5	417120	DADO PLASTICA GRIGIO PLASTIC NUT KUNSTSTOFFMUTTER 1-1/4 ECROU EN PLASTIQUE	
6	437098	GUARNIZIONE NUOVA, CAMP PRESS. PACKING FOR AIR TRAP OF PRESSURE SWITCH DICHTUNG FUER WINDKESSEL DES DRUECKWVAEC JOINT PRISE D'AIRE PRESSOSTAT	
7	107012	CAMPANA PRESSOSTATO (L) RV40-50-CAPOTE AIR TRAP WINDKESSEL PRISE D'AIR	
8	80250	TROPPOPIENO OVERFLOW-PIPE UEBERLUAUFROHR TROP PLEIN	
9	456016	GUARNIZIONE O-RING 32.50X3.60 PACKING O-RING 32.50X3.60 FOR SALT CONTA DICHTUNG O-RING 32.50X3.60 FUER SALZ- JOINT O-RING 32.50X3.60 POUR BOL A SEL	
10	121081	FILTRO PER POMPA LAVAGGIO PER LAVASTOVIG DRAIN PUMP FILTER FOR DISH-WASHER (S6639) SIEB FUER WASCH-PUMPE FUER GESCHIRR- SPU FILTRE POMPE DE LAVAGE POUR LAVE-VAISSEL	
11	80677	RESISTENZA VASCA, 2500 W 230V MONOFASE HEATING ELEMENT 2,5KW 230V ELEKTRISCHER RESISTANCE	
12	80470	GHERA SCARICO RING NUT GEWINDERING DOUILLE	
13	456040	GUARNIZIONE O-RING PER GRUPPO O-RING PACKING FOR SUCTION AND DRAIN UNI DICHTUNG O-RING FUER ABSAUGUNGS- UND AB- JOINT O-RING POUR GROUPE ASPIRATION/ VID	
14	136020	CORPO D'ASPIRAZIONE/SCARICO GRIGIO SCLIRO ASPIRATION AND DRAIN BODY ABSAUG-UND ABFLUSSKOERPER CORPS D'ASPIRATION/VIDANGE	
15	143136	TUBO DI SCARICO DRAIN HOSE ABFLUSSSCHLAUCH TUYAU DE VIDANGE	
16	209024	DOSAT PERIST.BRILLANTANTE NON REG. PERISTALTIC DISPENSER PERISTALTISCHES DOSIERGERAET DOSEUR PERISTALTIQUE	Optional
17	209022	DOSAT PERIST.DETERGENTE NON REG. PERISTALTIC DISPENSER PERISTALTISCHES DOSIERGERAET DOSEUR PERISTALTIQUE	Optional

18	80675	STAFFA DOSATORI PERISTALTICI BRACKET TRAGBUEGEL ETRIER	
19	143194	TUBO TRASPARENTE 4X6 TRANSPARENT HOSE 4X6 DURCHSICHTIGES ROHR 4X6 TUYAU TRANSPARENT 4X6	
20	121075	FILTRO PER POMPA DETERSIVO DETERGENT PUMP FILTER (S6754) SIEB FUER SPUELMITTEL PumPE FILTRE POUR POMPE DETERGENT	
21	H.775601	TUBO 4x6 CRISTAL BLUE (FX NUOVA) BLUE HOSE 4X6 LEITUNG 4x6 CRISTAL BLUE TUYAU 4x6 CRISTAL BLUE	
22	468201	RACCORDO CALZATUBO PER INIEZ.BRILL. CONNECTION ANSCHLUSS RACCORD	
23	143005	TUBO IN GOMMA TELATA 5X12 NERO LINEN RUBBER PIPE 5X12 - BLACK SCHLAUCH AUS LINENGUMMI 5X12 - SCHWARZ TUYAU EN CAOUTCHOUC LIN 5X12 NOIR	
24	468201	RACCORDO CALZATUBO PER INIEZ.BRILL. CONNECTION ANSCHLUSS RACCORD	



## Pagina 4

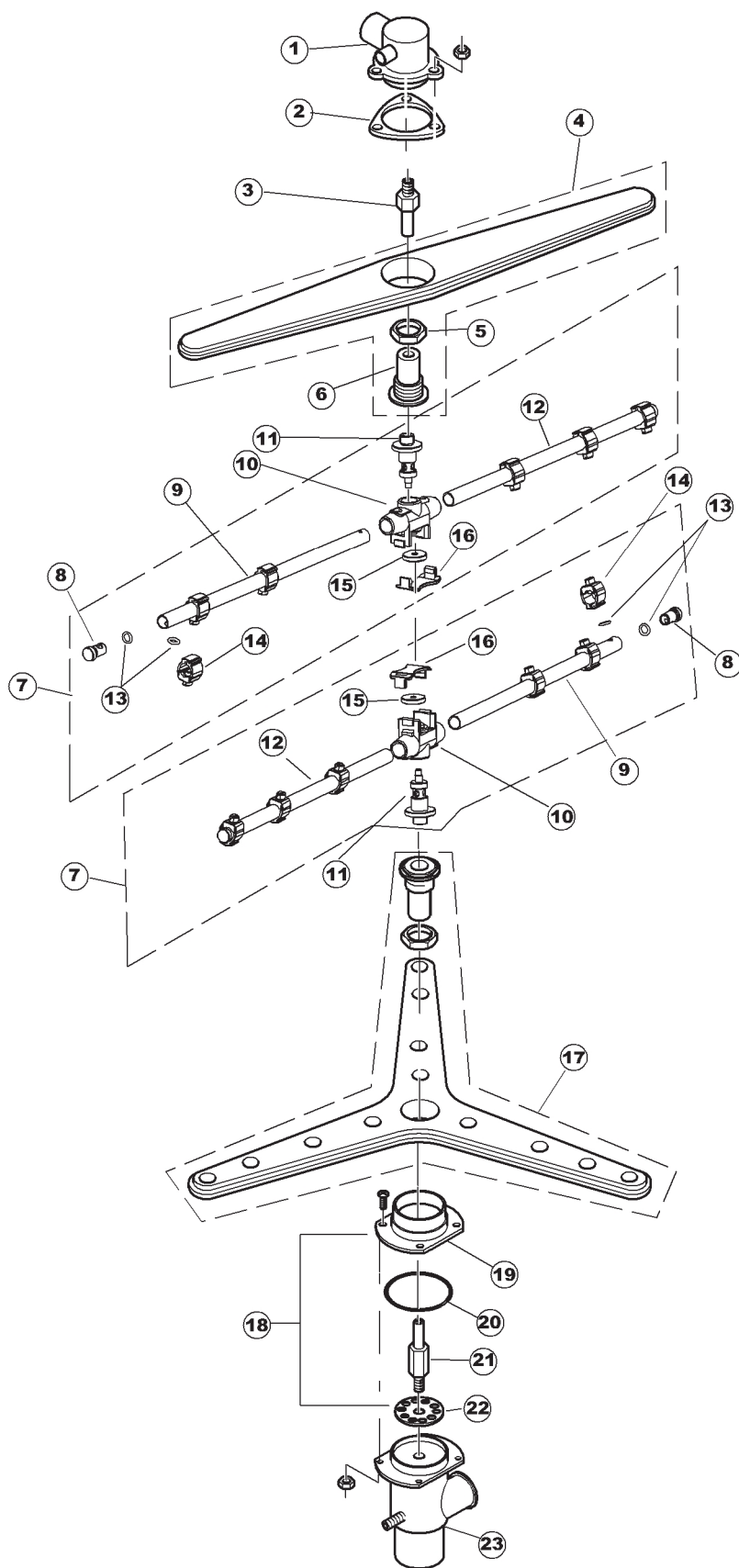
1	35602	CONDOTTA CENTRALE SUPERIORE LP92 MANIFOLD LP92 ZULAULEITUNG LP92 DURITE LP92	
2	41554	TUBO LAVAGGIO WASH PIPE SPUELLEITUNGAVAGE P/TUYAU LAVAGE	
3	80115	EL P 1,6KW 230-400V/50HZ (5295.4050) ELECTROPUMP 1,6KW 230-400V/50HZ (5295.40 MOTORPUMPE 1,6KW 230-400V/50HZ (5295.405 MOTOPOMPE 1,6KW 230-400V/50HZ (5295.4050	
5	4206301	RACCORDO LANCIA DI LAVAGGIO INFERIORE PE WASH-ARM CONNECTION - LOWER - FOR POT AN ANSCHLUSSTUECK FUER WASCHARM - UNTEN - K RACCORD RAMPE DE LAVAGE INFERIEURE POUR	
6	41560	MANICOTTO COUPLING MUFFE MANCHON	
7	80186	MANICOTTO ASPIRAZIONE RUBBER ELBOW - SUPPLY SIDE ZUFUHRMUFFE - DRUCKSEITE MANCHON ASPIRATION	
8	CFS3	FASCETTA A VITE TORRO 60-80/12 SCREW-CLAMP TORRO 60-80/12 SCHRAUBE-SHELLE TORRO 60-80/12 COLLIER A VIS TORRO 60-80/12	
9	456040	GUARNIZIONE O-RING PER GRUPPO O-RING PACKING FOR SUCTION AND DRAIN UNI DICHTUNG O-RING FUER ABSAUGUNGS- UND AB- JOINT O-RING POUR GROUPE ASPIRATION/ VID	
10	136020	CORPO D'ASPIRAZIONE/SCARICO GRIGIO SCURO ASPIRATION AND DRAIN BODY ABSAUG-UND ABFLUSSKOERPER CORPS D'ASPIRATION/MIDANGE	



## Pagina 5

1	143010	TUBO IN GOMMA 12X19,5 RUBBER PIPE 12X19,5 GUMMISCHALUCH 12X19,5 TUYAU EN CAOUTCHOUC 12X19,5	
2	927322	FASCETTA NASTRO 12-22 TAPE CLAMP 12-22 BANDSCHELLE 12-22 COLLIER POUR BANDE 12-22	
3	143173	GIUNZIONE DI RISCIAQUO Y-JUNCTION RINSE MANIFOLD Y-STUECK RACCORD DE RINCAGE	
4	143005	TUBO IN GOMMA TELATA 5X12 NERO LINEN RUBBER PIPE 5X12 - BLACK SCHLAUCH AUS LINENGLUMMI 5X12 - SCHWARZ TUYAU EN CAOUTCHOUC LIN 5X12 NOIR	
6	41525	TUBO MANDATA RISCIAQUO (CRP) RINSE DELIVERY TUBE(CRP) NACHSPUEL-FOERDERLEITUNG (CRP) TUYAU DE REFOULEMENT RINAGE (CRP)	
7	144021	AIRGAP SPECIALE LA50 PLASTIC AIRGAP AIR GAP GEOFFNETER BEHAELTER AIRGAP SPECIAL LA50	
8	926189	TERMOSTATO DI SICUREZZA A CONTATTO (2360) CONTACT SAFETY-THERMOSTAT (REPLACES FORM KONTAKT-SICHERUNGSTHERMOSTAT (236039) THERMOSTAT DE SURETE' A CONTACT (236039)	
9	456002	O-RING PER RESISTENZA BOILER O-RING FOR BOILER RESISTANCE (S6218) O-RING FUER HEIZUNG DES WARMWASSER- BERE O-RING RESISTANCE SURCHAUFFEUR	
10	231014	SONDA TEMPERATURA GET-5 TEMP. PROBE KUGEL SONDE	
11	230083C	KIT RESISTENZA REB230083 (6KW) KIT OF HEATING ELEMENT REB230083 (6KW) KIT HEIZUNGEN REB230083 (6KW) KIT RESISTANCES REB230083 (6KW)	
12	467002	PROTEZIONE RESISTENZA BOILER BOILER HEATING ELEMENT PROTECTION HEIZUNGSSCHUETZ DES WARMWASSERBEREITERS PROTECTION RESISTANCE BOILER	
13	104061	BOILER CRP LA50 BOILER CRP BOILER CRP SURCHAUFFEUR CRP	
14	CFS18	FASCETTA A VITE TORRO 20-32/9 CLAMP 20-32/9 SCHELLE COLLIER 20-32/9	
15	69068	MANICOTTO ASPIRAZ.CRP LA50 INTAKE COUPLING LA50 SAUGMUFFE LA50 MANCHON D'ASPIRATION	
16	423008	FASCETTA A VITE TORRO 25-40/9 SCREW CLAMP TORRO 25-40/9 SCHRAUBE-SCHELLE TORRO 25-40/9 COLLIER A VIS TORRO 25-40/9	
17	80627	ELETTROPOMPA 200W 230V-1PH-50HZ PUMP PUMPE POMPE	
19	929169	TUBO DI CARICO TERMOPLASTICO VDE (3/4 X THERMOPLASTIC INLET HOSE VDE (A2096) THERMOPLASTISCHER ZULAUFSCHLAUCH VDE TUYAU DE CHARGEMENT THERMOPLASTIQUE VDE	

20	240018	ELETTRIVALVOLA DI CARICO - 1 VIA CRP ONE-WAY "CR" FILL SOLENOID VALVE "CRP" WASSERZUFUHR-EINWEGMAGNETVENTIL ELECTROVANNE D'ALIMENTATION "CRP"	
21	143131	VEDI CODICE 143005 SEE CODE 143005 SIEHE KODE NR. 143005 VOIR CODE 143005	
23	144027	SISTEMA CARICAMENTO CRP PLASTIC AIRGAP AIR GAP GEOFFNETER BEHAELTER	
24	127095	MANICOTTO BOILER->SISTEMA CRP	
26	224002	PRESSOSTATO 110-60 PRESSURE SWTCH TYPE 110-60 DRUCKWAECHTER 110/60 PRESSOSTAT 110/60	
31	929171	TUBO IN GOMMA 20X30 RUBBER PIPE 20X30 GUMMISCHALUCH 20X30 TUYAU EN CAOUTCHOUC 20X30	
33	417125	DADO IN PLAST.CON COLLARE(171571) NUT MUTTER ECROU	
34	437104	GIARNIZIONE D45D33S2 EPDM 70SH RUBBER GASKET DICHTUNG JOINT	

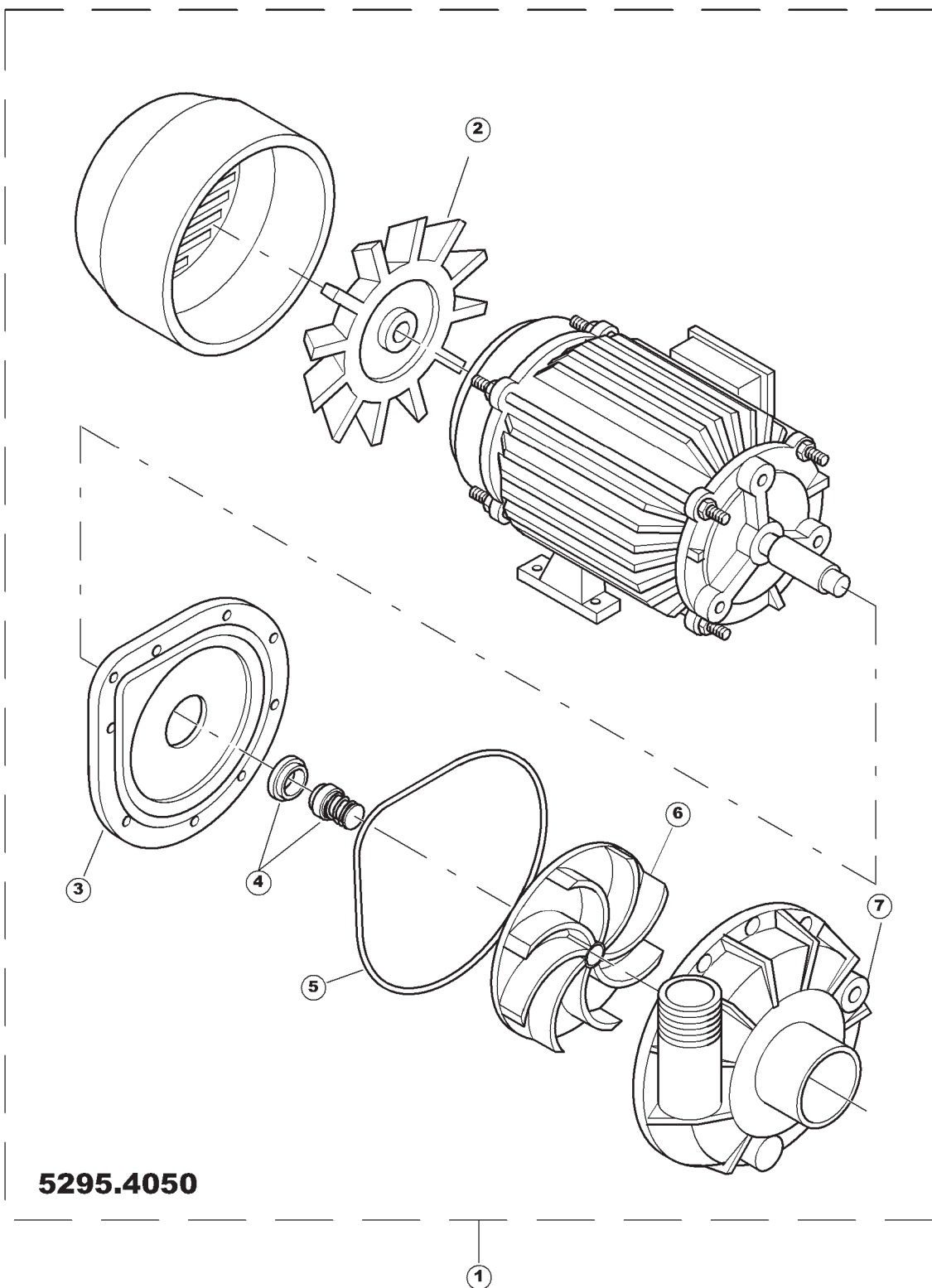




## Pagina 6

1	35602	CONDOTTA CENTRALE SUPERIORE LP92 MANIFOLD LP92 ZULAUFLEITUNG LP92 DURITE LP92	
2	437064	GUARNIZIONE CONDOTTA CENTRALE SUPERIORE GASKET UPPER CENTRAL PIPELINE DICHTUNG FUER ZENTRALLEITUNG - OBEN - FU JOINT POUR CONDUITE CENTRALE SUPERIEURE	
3	80282	PERNO IN ACCIAIO INOSSIDABILE PER LANCIA PIVOT ZAPFEN PIVOT	
4	80311	PETTINE LAVAGGIO RIVER CAPOT WASH ARM SPUELARM BRAS LAV	
5	80314	VEDI CODICE 926128 SEE CODE 926128 SIEHE KODE 926128 VOIRE CODE 926128	
6	80310	SUPPORTO LANCLAVAGGIO GRIGIO GREY WASH ARM JOURNAL BOX (RAL 7001) WASCHARMHALTER - GRAU (RAL 7001) SUPPORT RAMPE DE LAVAGE GRIS (RAL7001)	
7	41691	BRACCIO RISCIACCQUO ROTATING RINSE ARM NACHSPUELUNGSARM - TOURNIQUET DE RINÇAGE	
8	926132	TAPPO PL.X BRACCIO DI RISC.(DWT312) PLASTIC RINSE ARM CAP ZAPFEN EMBOUT EN PLASTIQUE POUR RAMPE DE RINC.	
9	41694	BRACCIO RISCIACCQUO RINSE ARM NACHSPUELARM BRAS DE RINÇAGE	
10	80371	CORPO LANCIA GIR RISC ARM BODY KOERPER DES DREHWASCH-UND-NACHSPUELARMES CORPS BRAS	
11	80380	PERNO LANCIA GIREVOLE REVOLVING ARM SPINDLE DREHARMSPINDEL PIVOT DE TOURNIQUET	
12	41693	BRACCIO RISCIACCQUO RINSE ARM NACHSPUELARM BRAS DE RINÇAGE	
13	456060	OR 2025 O-RING 2025 O-RING 2025 JOINT THORIQUE 2025	
14	80373	SPRUZZATORE RISCIACCQUO RINSE SPRAYER NACHSPUELUNGS-SPRITZER VAPORISATEUR RINÇAGE	
15	80365	GHIERA PERNO IN ACCIAIO INOSSIDABILE PER STAINLESS STEEL RING NUT FOR RINSE MANIF EDELSTAHL NUTMUTTER DES NACHSPUEL- EMBOUT FILET EN ACIER INOX POUR PIVOT D	
16	80374	PONTICELLO RISC. + CORPO LANCIA 80371 BRACKET + ARM BODY 80371 BRUCHLEIN + KOERPER DES DREHWASCH PONTET + CORPS BRAS 80371	
17	929195	LANCIA DI LAV.TRIANGOLARE COMPL.U61 COMPLETE TRIANGULAR WASH LANCE U61 DREIECKIGER WASCHARM KOMPL. U61 LANCE DE LAVAGE TRIANGULAIRE COMPLETE	

18	41064CP	CONTROFLANGIA SUPPORTO LANCIA DI LAVAGGI SUPPORT COUNTER-FLANG OF WASH ARM OF POT GEGENFLANSCH DES HALTERS FUER WASCHARM D CONTRE-BRIDE SUPPORT RAMPE DE LAVAGE POU	
19	41064	CONTROFLANGIA SUPPORTO LANCIA DI LAVAGGI SUPPORT COUNTER-FLANGE OF WASH ARM OF PO GEGENFLANSCH DES HALTERS FUER WASCHARM D CONTRE-BRIDE SUPPORT RAMPE DE LAVAGE POU	
20	926252	O-RING 4275/3.53 (69,44X3,53NBR) O-RING 4275/3.35 (69,44X3,53 NBR) DICHRING 4275/3.53 (69,44X3,53 NBR) BAGUE D'ETANCHEITE' 4275/3.53 (69,44X3,5	
21	42053	PERNO LANCIA DI LAVAGGIO INFERIORE PER PIN FOR LOWER WASH ARM FOR POT AND PAN W ZAPPEN FUER WASCHARM - UNTEN FUER KOCHTO PIVOT POUR RAMPE DE LAVAGE INFERIEURE PO	
22	41185	PARZIALIZZATORE PER LAVAPENTOLE REDUCER FOR POT AND PAN WASHER VERMINDERER FUER KOCHTOEPFESPUELER REDUCTEUR POUR LAVE-CASSEROLES	
23	4206301	RACCORDO LANCIA DI LAVAGGIO INFERIORE PE WASH-ARM CONNECTION - LOWER - FOR POT AN ANSCHLUSSTUECK FUER WASCHARM - UNTEN - K RACCORD RAMPE DE LAVAGE INFERIEURE POUR	



## Pagina 7

1	80115	EL.P 1,6KW 230-400V/50HZ (5295.4050) ELECTROPUMP 1,6KW 230-400V/50HZ (5295.40 MOTORPUMPE 1,6KW 230-400V/50HZ (5295.405 MOTOPOMPE 1,6KW 230-400V/50HZ (5295.4050	
3	80121	TENUTA ROTANTE ELETTROPOMPA (5295.4050) WASHPUMP SHAFT SEAL (AB122414B/AC13268B) MECHANISCHE DICHTUNG FUER MOTORPUMPE ETANCHEITE' POUR MOTOPOMPE	
4	80120	GUARNIZIONE EL-POMPA (5292.4050) ELECTROPUMP PACKING DICHTUNG FUER MOTORPUMPE JOINT POUR MOTOPOMPE	
5	80119	GIRANTE E-POMPA (5295.4050) GIRANTE E-POMPA (5292.4050) IMPELLER PUMPENFLUEGEL	
6	80118	CHIOCCIOLA EL-POMPA (5295.4050) ELECTROPUMP HOUSING PUMPENGEHAUSE VOLUTE POUR ELECTROPOMPE	