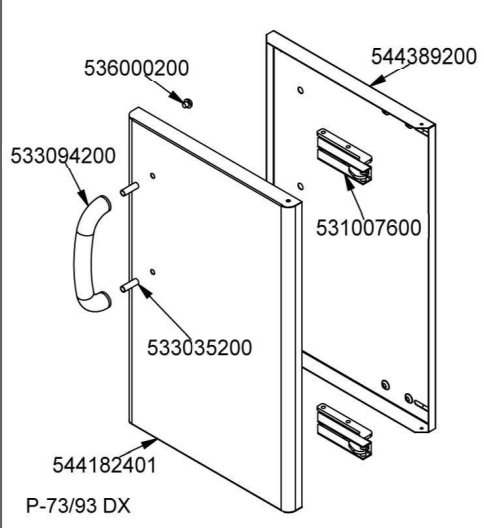
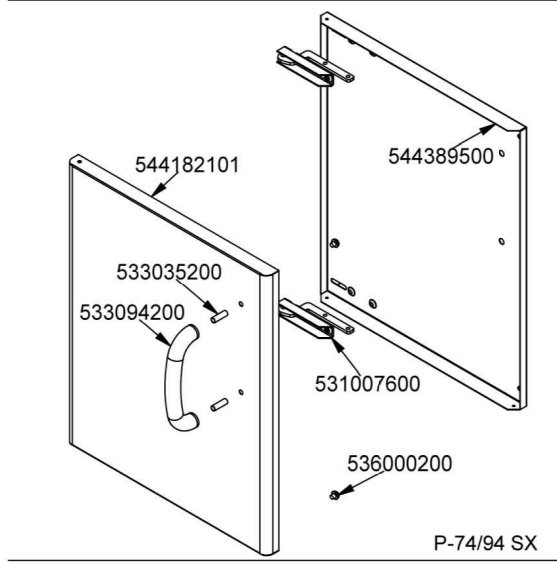


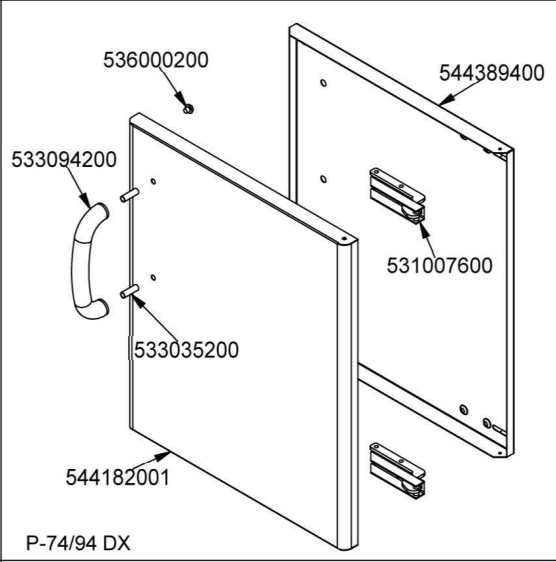
P-73/93 SX



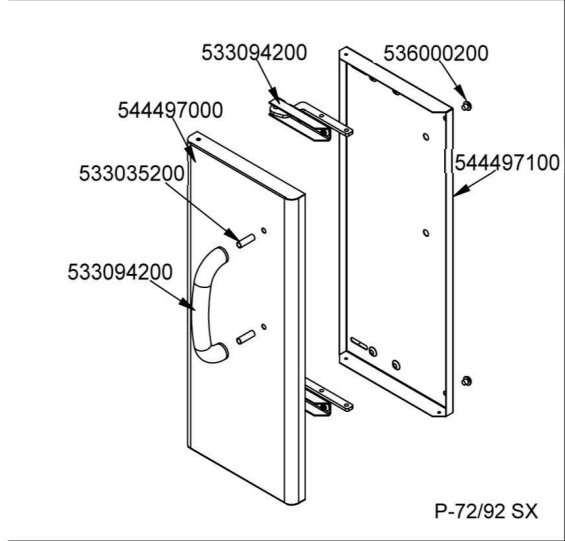
P-73/93 DX



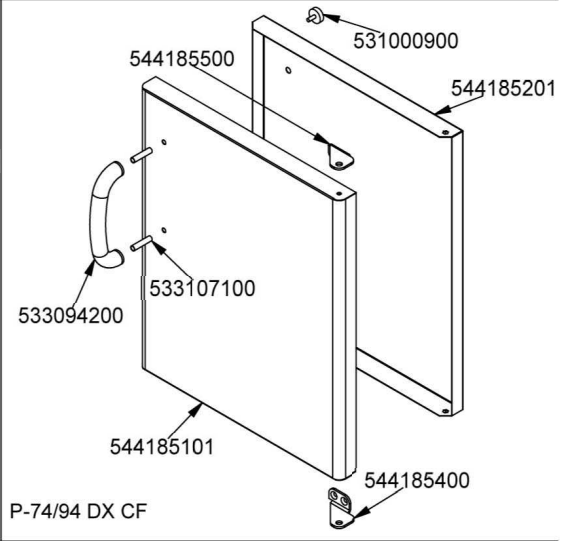
P-74/94 SX



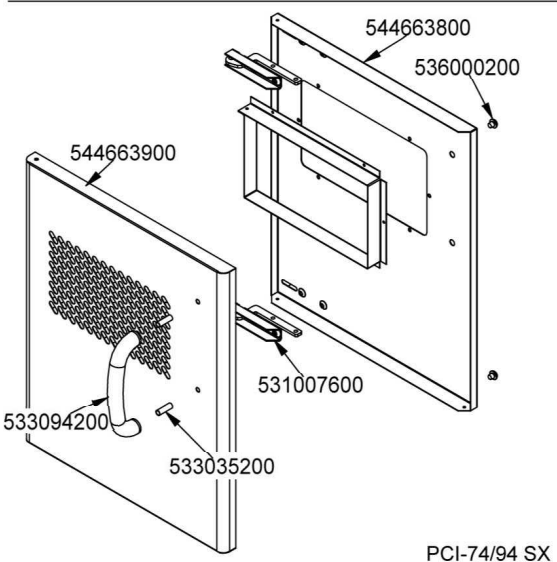
P-74/94 DX



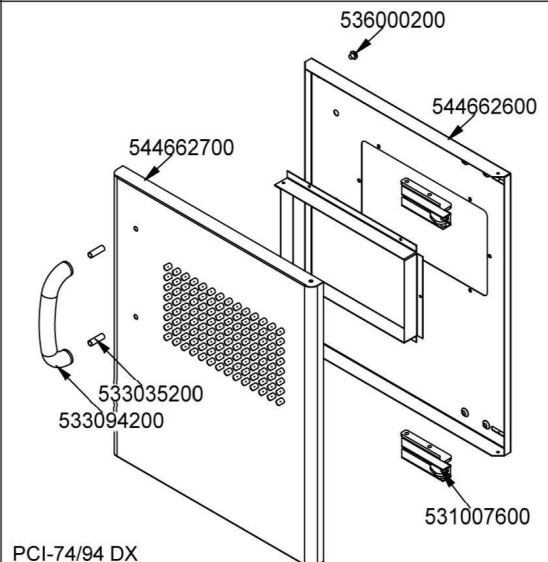
P-72/92 SX



P-74/94 DX CF

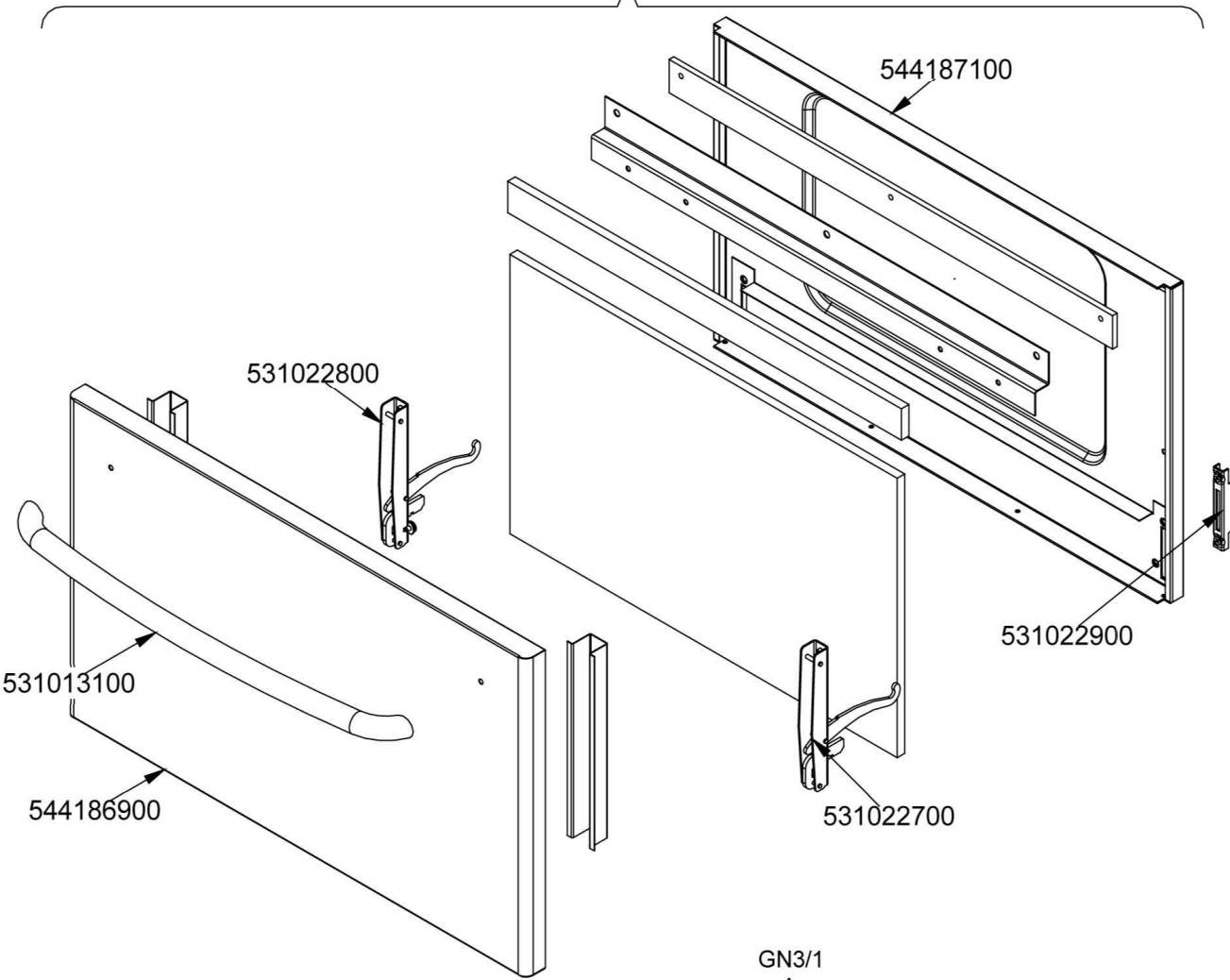


PCI-74/94 SX

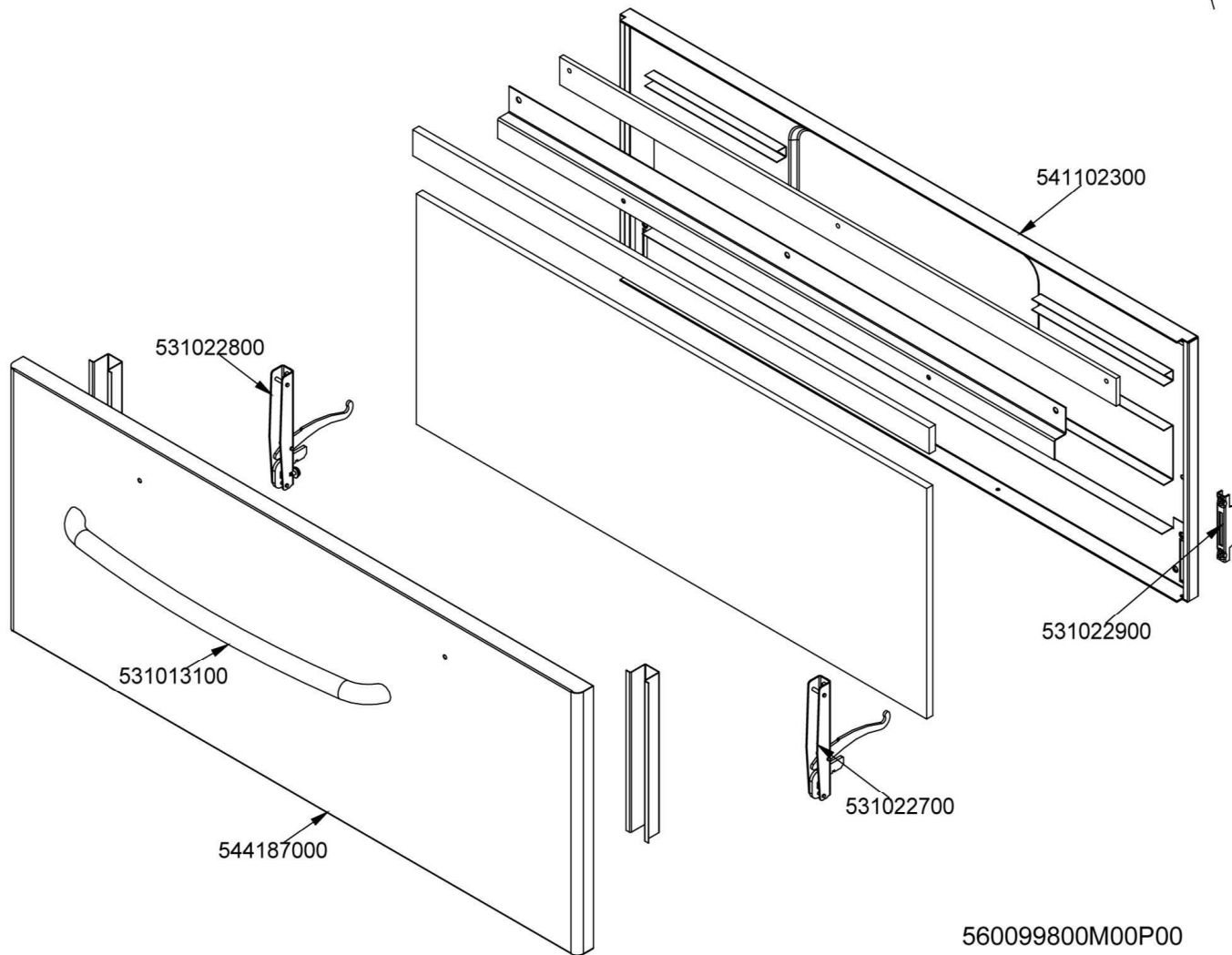


PCI-74/94 DX

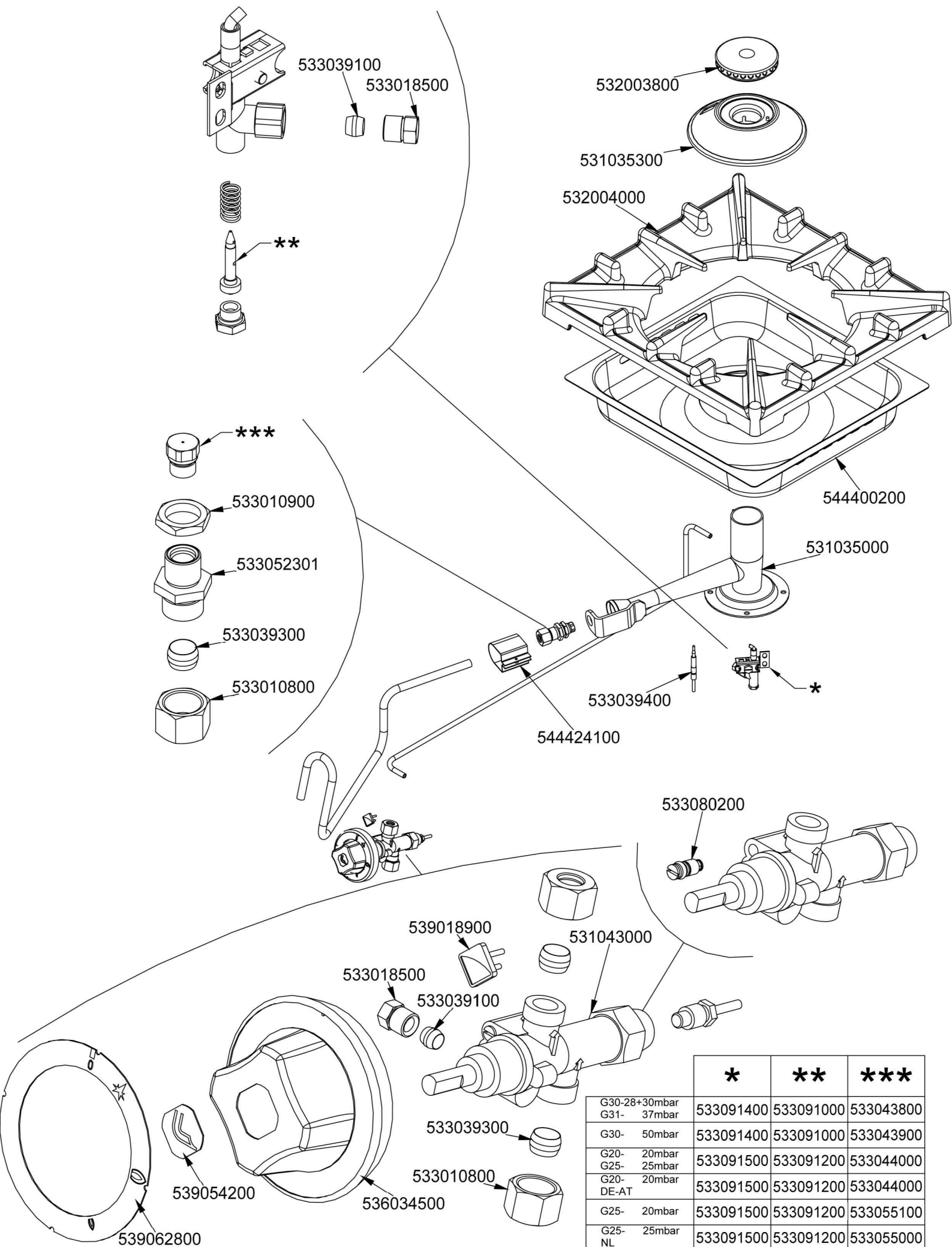
GN2/1

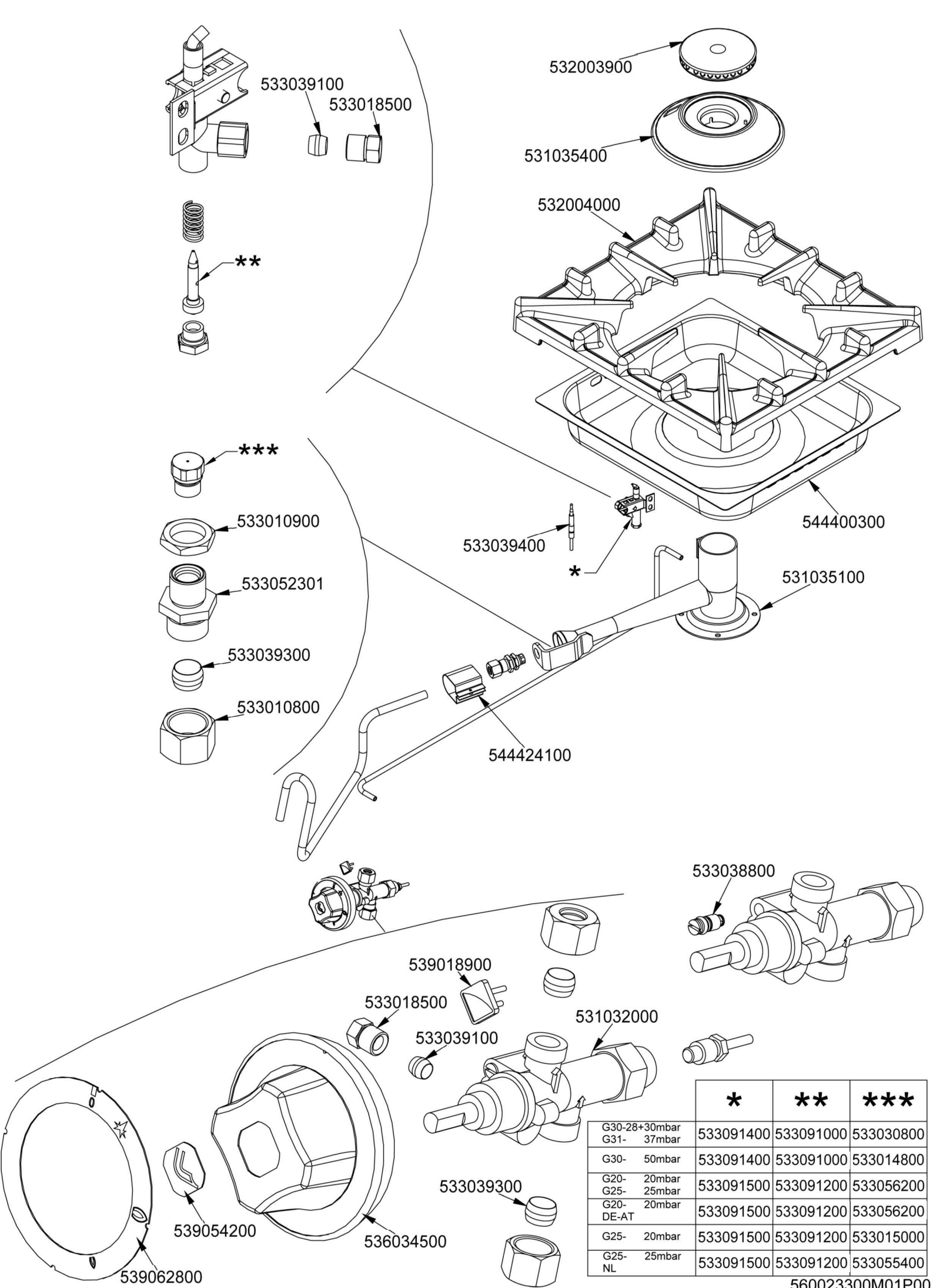


GN3/1



560099800M00P00





| | * | ** | *** |
|------------------------------|-----------|-----------|-----------|
| G30-28+30mbar G31- 37mbar | 533091400 | 533091000 | 533030800 |
| G30- 50mbar | 533091400 | 533091000 | 533014800 |
| G20- 20mbar G25- 25mbar | 533091500 | 533091200 | 533056200 |
| G20- DE-AT | 533091500 | 533091200 | 533056200 |
| G25- 20mbar | 533091500 | 533091200 | 533015000 |
| G25- 25mbar NL | 533091500 | 533091200 | 533055400 |

| Page | Pos | Code | Description |
|------|-----|-----------|-------------------------------------|
| 001 | | 541199400 | UPPER PLATE FOR 60T CF 3-612GEV |
| 001 | | 541199401 | UPPER PLATE S60T PC3T CF 3-612GEV |
| 001 | | 544540300 | |
| 001 | | 537036500 | TERMINAL BLOCK 4POLES 40A SCREW-SCR |
| 001 | | 541137100 | CONTROL PANEL CF3-512GE CF3-512GEV |
| 001 | | 531048400 | INOX LEG Ø1"3/4 100-165 M10 |
| 001 | | 544540200 | |
| 001 | | 533009200 | REDUCTION GRATE FOR 65-70LINES+FO |
| 002 | | 544389300 | CONTROP.73 SX APP. LT |
| 002 | | 531007600 | DOOR HINGE |
| 002 | | 544182501 | LEFT DOOR 73 |
| 002 | | 533094200 | S/S HANDLE FOR 70/90 SERIES |
| 002 | | 533035200 | HANDLE SPACER |
| 002 | | 536000200 | D.12 H.4 BUMPER |
| 002 | | 544389200 | CONTROP.73 DX APP. LT |
| 002 | | 544182401 | RIGHT DOOR 73 |
| 002 | | 544182101 | LEFT DOOR 74 |
| 002 | | 544389500 | INNER-DOOR OF LHD 74 |
| 002 | | 544389400 | CONTROP.74 DX APP. LT |
| 002 | | 544182001 | RIGHT DOOR 74 |
| 002 | | 544497000 | PORTA 72 SX |
| 002 | | 544497100 | CONTROP.72 SX APP. LT |
| 002 | | 544185101 | RIGHT DOOR 74 CF |
| 002 | | 533107100 | HANDLE SPACER OF CF-70 |
| 002 | | 544185500 | UPPER DOOR HINGE FOR COMPARTME CF70 |
| 002 | | 531000900 | MAGNET §22 KG.3 WITH DISK |
| 002 | | 544185201 | INNER DOOR * 74DX |
| 002 | | 544185400 | LOWER DOOR HINGE FOR COMPARTME CF70 |
| 002 | | 544663900 | LHD 74 DOOR FOR PCI |
| 002 | | 544663800 | 74 LHD OVEN INNER DOOR FOUR PCI |
| 002 | | 544662700 | DOOR 74 DX PCI |
| 002 | | 544662600 | CONTROP.74 DX APP. LT PCI |
| 003 | | 533037600 | LOCK SPRING FOR BULB |
| 003 | | 536010801 | OVEN GASKET GN 2/1 (1308 |
| 003 | | 531045000 | GRID OVEN GN 1/1 S55 |
| 003 | | 531044900 | LHD SUPPORT GRID OVEN S55 |
| 003 | | 531044800 | RHD SUPPORT GRID OVEN S55 |
| 003 | | 544081000 | 55 ELECIC OVEN BOTTOM GN1/1 |
| 004 | | 539023800 | LABEL FOR OVEN TIMER |
| 004 | | 539018800 | BLANK INDEX FOR KNOB |
| 004 | | 539063300 | ADESIVE DISK FOR TYMER GREY |
| 004 | | 539054200 | STAMP Ø20,5 CR."L" LOTUS R. |
| 004 | | 536034400 | KNOB §77 4P. §06*4,6 C/M |
| 004 | | 531024800 | TIMER 120' - 360° |
| 004 | | 537014200 | GREEN WARNING LIGHT 250V |
| 004 | | 537014100 | WHITE WARNING LIGHT 250V |
| 004 | | 539023900 | SIGN PLATE FOR OVEN TEMPERATURE |
| 004 | | 537001600 | THERMOSTAT 50-320°C SINGLEPHASE |
| 004 | | 537005700 | OVEN COMMUTATOR CF-8/10 EL. |
| 004 | | 539061700 | ADESIVE DISK FOR SWITCH OVEN S60 |
| 004 | | 537033800 | HEATING ELEMENT 1250W+2700W 230V |

| Page | Pos | Code | Description |
|------|-----|-----------|-------------------------------------|
| 004 | | 537033901 | LOWER H.ELEMENT 1800W 230V 55-OVEN |
| 005 | | 544389300 | CONTROP.73 SX APP. LT |
| 005 | | 531007600 | DOOR HINGE |
| 005 | | 544182501 | LEFT DOOR 73 |
| 005 | | 533094200 | S/S HANDLE FOR 70/90 SERIES |
| 005 | | 533035200 | HANDLE SPACER |
| 005 | | 536000200 | D.12 H.4 BUMPER |
| 005 | | 544389200 | CONTROP.73 DX APP. LT |
| 005 | | 544182401 | RIGHT DOOR 73 |
| 005 | | 544182101 | LEFT DOOR 74 |
| 005 | | 544389500 | INNER-DOOR OF LHD 74 |
| 005 | | 544389400 | CONTROP.74 DX APP. LT |
| 005 | | 544182001 | RIGHT DOOR 74 |
| 005 | | 544497000 | PORTA 72 SX |
| 005 | | 544497100 | CONTROP.72 SX APP. LT |
| 005 | | 544185101 | RIGHT DOOR 74 CF |
| 005 | | 533107100 | HANDLE SPACER OF CF-70 |
| 005 | | 544185500 | UPPER DOOR HINGE FOR COMPARTME CF70 |
| 005 | | 531000900 | MAGNET §22 KG.3 WITH DISK |
| 005 | | 544185201 | INNER DOOR * 74DX |
| 005 | | 544185400 | LOWER DOOR HINGE FOR COMPARTME CF70 |
| 005 | | 544663900 | LHD 74 DOOR FOR PCI |
| 005 | | 544663800 | 74 LHD OVEN INNER DOOR FOUR PCI |
| 005 | | 544662700 | DOOR 74 DX PCI |
| 005 | | 544662600 | CONTROP.74 DX APP. LT PCI |
| 006 | | 544187100 | OVEN INNER DOOR GN 2/1 70/90LINE |
| 006 | | 531022800 | LEFT OVEN DOOR HINGE S.70 |
| 006 | | 531013100 | OVEN DOOR HANDLE OF 70/90-LINE |
| 006 | | 544186900 | OVEN DOOR GN 2/1 70/90LINES |
| 006 | | 531022700 | RIGHT OVEN DOOR HINGE 70LINE |
| 006 | | 531022900 | HINGE DOOR WHEEL HOLDER S.70 |
| 006 | | 541102300 | GAS OVEN INNER DOOR GN 3/1 S.70 |
| 006 | | 544187000 | OVEN DOOR GN 3/1 S.70 |
| 007 | | 533039100 | BICONE §6 |
| 007 | | 533018500 | FITTING FOR BICONE D.6 M10*1 |
| 007 | | 532003800 | BURNER COVER RING §082 |
| 007 | | 531035300 | MEDIUM BURNER BODY 90 LINE |
| 007 | | 532004000 | 1 FLAME GRILL 396X366 (90 |
| 007 | | 544400200 | BURNER DRIP PAN 2/3 |
| 007 | | 533010900 | NUT M14*1 H.4 |
| 007 | | 531035000 | MEDIUM BURNER VENTURI 90 LINE |
| 007 | | 533052301 | JOINT FOR NOZZLE HOLDER |
| 007 | | 533039300 | BICONE §10 |
| 007 | | 533010800 | TUBE NUT D.10 M16*1,5 |
| 007 | | 533039400 | THERMOCOUPLE M9*1*850 |
| 007 | | 544424100 | AIR ADJUSTMENT BUSHING*BURNER PC90 |
| 007 | | 533080200 | BY PASS COCK §65 20S-21S |
| 007 | | 539018900 | INDEX FOR KNOB W/RED SIGN |
| 007 | | 531043000 | GAS COCK 21S P.V. BY-PASS §065 |
| 007 | | 539054200 | STAMP Ø20,5 CR."L" LOTUS R. |
| 007 | | 536034500 | KNOB §77 4P. §08*6,5 |

| Page | Pos | Code | Description |
|------|-----|-----------|-------------------------------------|
| 007 | | 539062800 | RED STICKING DISK 72 |
| 007 | | 533091400 | P.NOZZLE S100 UG.§20 PC90 LPG-FLUS |
| 007 | | 533091500 | PILOT NOZZLE S.100 §30 PC90 NAT.GAS |
| 007 | | 533091000 | NOZZLE 0.100 §20 |
| 007 | | 533091200 | PILOT NOZZLE 0100 Ø35 PIL.PC |
| 007 | | 533043800 | NOZZLE §130 CH12*14 G-CW4 |
| 007 | | 533043900 | NOZZLE §115 CH12*14 F-CW4 |
| 007 | | 533044000 | NOZZLE §195 CH12*14 M-CW4 |
| 007 | | 533055100 | NOZZLE §215 CH12*14 L-CW4 |
| 007 | | 533055000 | NOZZLE §205 CH12*14 G25 CW4 |
| 008 | | 533039100 | BICONE §6 |
| 008 | | 533018500 | FITTING FOR BICONE D.6 M10*1 |
| 008 | | 532003900 | BURNER COVER RING §100 |
| 008 | | 531035400 | BIG BURNER BODY 90 LINE |
| 008 | | 532004000 | 1 FLAME GRILL 396X366 (90 |
| 008 | | 533010900 | NUT M14*1 H.4 |
| 008 | | 533039400 | THERMOCOUPLE M9*1*850 |
| 008 | | 544400300 | BURNER DRIP PAN 2/3 |
| 008 | | 533052301 | JOINT FOR NOZZLE HOLDER |
| 008 | | 531035100 | BIG BURNER VENTURI 90 LINE |
| 008 | | 533039300 | BICONE §10 |
| 008 | | 533010800 | TUBE NUT D.10 M16*1,5 |
| 008 | | 544424100 | AIR ADJUSTMENT BUSHING*BURNER PC90 |
| 008 | | 533038800 | 75 BY-PASS FOR 21S TAP |
| 008 | | 531032000 | GAS COCK P.V.BY-PASS Ø075 |
| 008 | | 539018900 | INDEX FOR KNOB W/RED SIGN |
| 008 | | 536034500 | KNOB §77 4P. §08*6,5 |
| 008 | | 539054200 | STAMP Ø20,5 CR."L" LOTUS R. |
| 008 | | 539062800 | RED STICKING DISK 72 |
| 008 | | 533091400 | P.NOZZLE S100 UG.§20 PC90 LPG-FLUS |
| 008 | | 533091500 | PILOT NOZZLE S.100 §30 PC90 NAT.GAS |
| 008 | | 533091000 | NOZZLE 0.100 §20 |
| 008 | | 533091200 | PILOT NOZZLE 0100 Ø35 PIL.PC |
| 008 | | 533030800 | NOZZLE §155 CH12X14 M-CW |
| 008 | | 533014800 | NOZZLE §135 CH12*14,0 |
| 008 | | 533056200 | NOZZLE §230 CH12*14 |
| 008 | | 533015000 | NOZZLE D.I 260 G110 (TOWN GAS |
| 008 | | 533055400 | NOZZLE §245 CH12*14 |