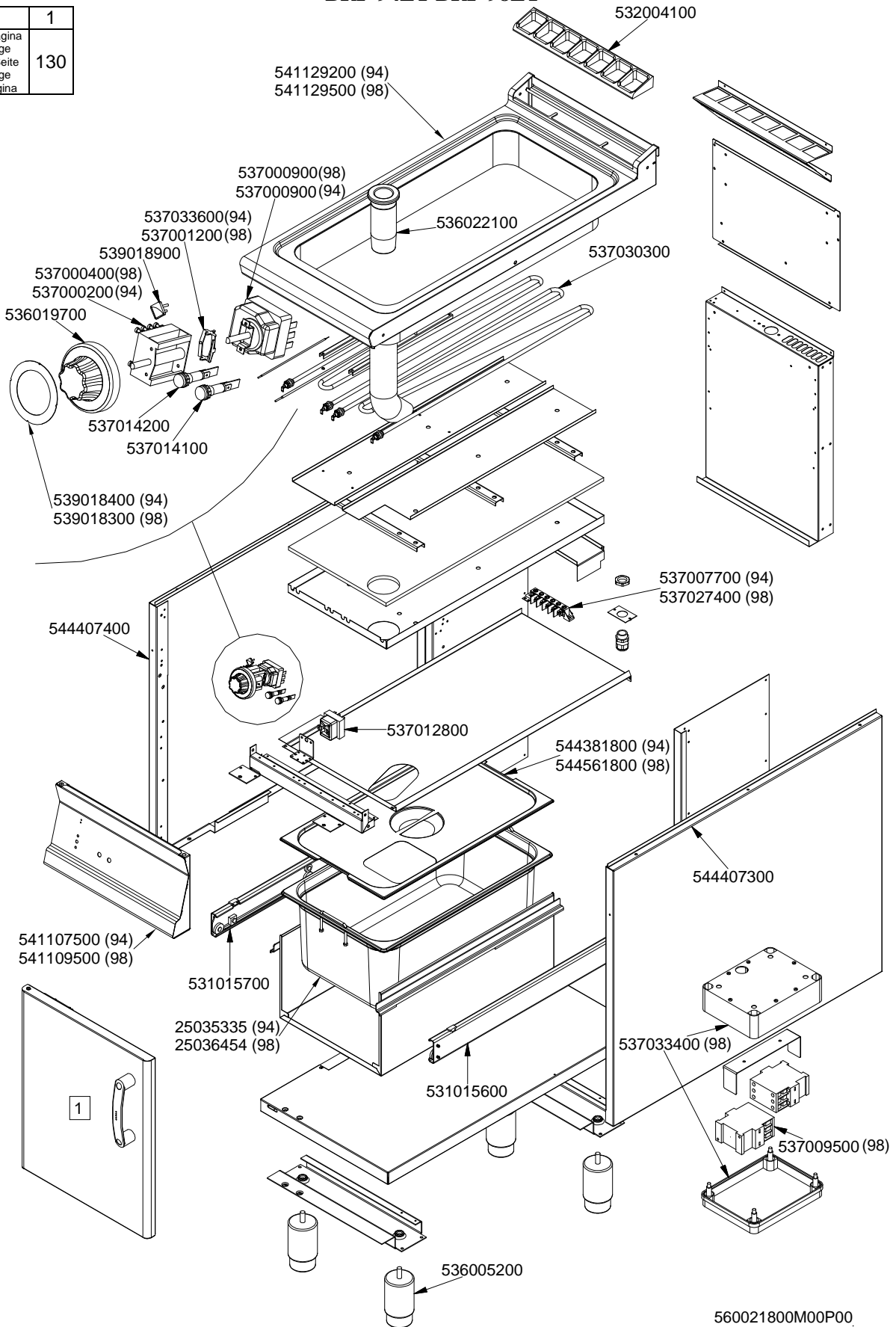


# IPERLOTUS 90

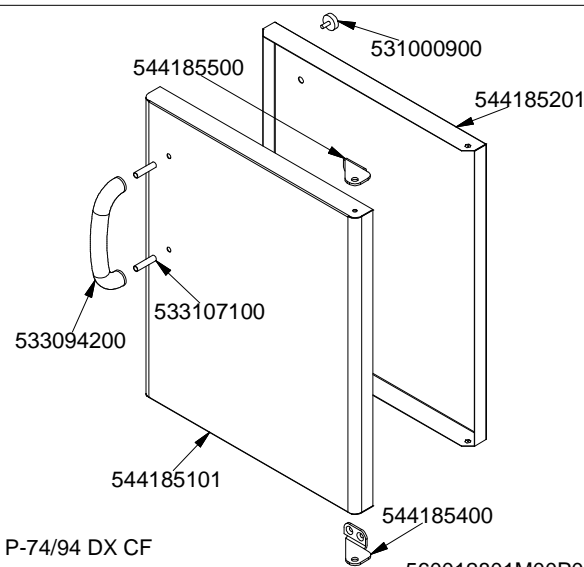
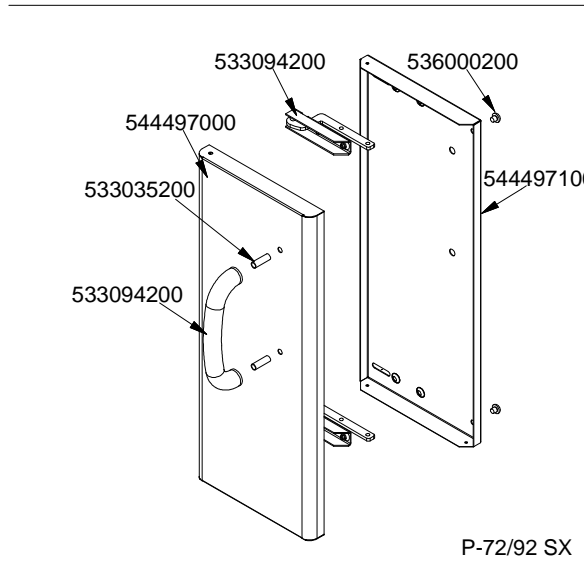
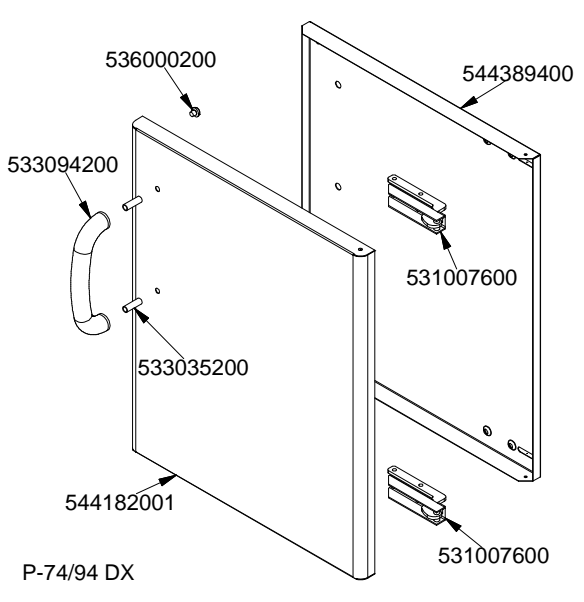
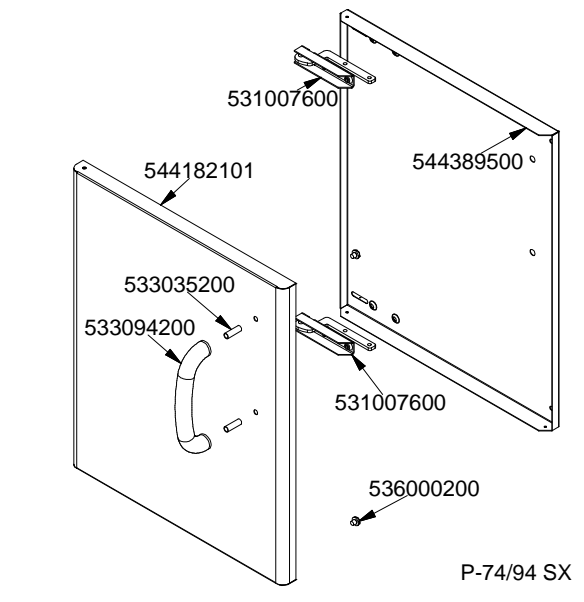
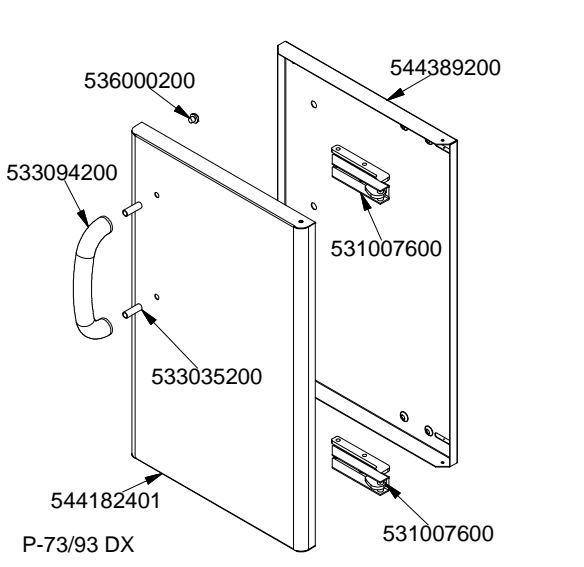
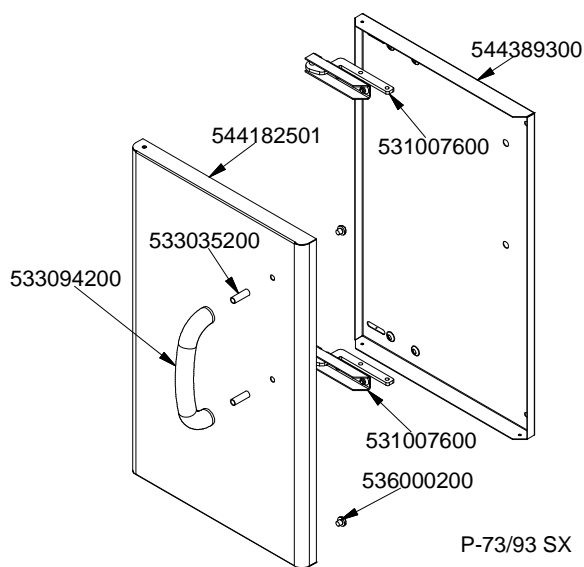
ELETTRICO / ELECTRIC / ELEKTRO / ELECTRIQUE

## BRF-94ET BRF-98ET

1	
Vedi Pagina See Page Siehe Seite Voir Page Ver Página	130



**PORTE / DOORS / FLÜGELÜREN / PORTES N°≥0602**



Page	Pos	Code	Description
001		532004100	FLUE GRID L=370 70LINE (RAF)
001		536022100	PLUG FOR BRF BASIN
001		544561800	
001		531015600	RHD TELESCOPIC GUIDE RS50 L=570
001		531015700	LHD TELESCOPIC GUIDE RS50 L=570
001		537012800	SAFETY THERMOSTAT 420°C THREEPHASE
001		541129500	UPPER PLATE BRF-98E
001		541109500	CONTROL PANEL BOILING PAN 70 EL.
001		25036454	
001		537030300	HEATING EL. BRF 90 W2600 V230
001		537014200	GREEN WARNING LIGHT 250V
001		537014100	WHITE WARNING LIGHT 250V
001		539018300	ADHESIVE GRADUATED DISC FOR KNOB
001		537033400	EL.BOX 195X150+HOLE FOR BRF-78/98E
001		537009500	REMOTE CONTROL SWITCH 3RT102 35A 23
001		536005200	INOX LEG 2" 120-180 M10
001		544407300	RIGHT SIDE PANEL 90 LINE
001		544407400	LEFT SIDE PANEL 70 LINE
001		537027400	TERMINAL BLOCK THREEPHASE 40A
001		536019700	BLACK KNOB §70 PIN §6*5
001		537000400	COMMUTATOR 1POS.SINGLEPHASE S49 16A
001		539018900	INDEX FOR KNOB
001		537001200	FIXING BRACKET FOR THERMOSTAT/COMM.
001		537000900	THERMOSTAT 50-320°C THREEPHASE
002		544389300	
002		531007600	DOOR HINGE
002		544182501	LEFT DOOR 73
002		533035200	
002		533094200	S/S HANDLE FOR 70/90 SERIES
002		536000200	D.12 H.4 BUMPER
002		544182401	RIGHT DOOR 73
002		544389200	
002		544182001	RIGHT DOOR 74
002		544389400	
002		544182101	LEFT DOOR 74
002		544389500	INNER-DOOR OF LHD 74
002		544497100	
002		544497000	
002		544185101	RIGHT DOOR 74 CF
002		544185400	LOWER DOOR HINGE FOR COMPARTME CF70
002		533107100	
002		544185500	UPPER DOOR HINGE FOR COMPARTME CF70
002		531000900	MAGNET §22 KG.3 WITH DISK
002		544185201	