



G6478 STEAMING OVEN

SPARES INFORMATION

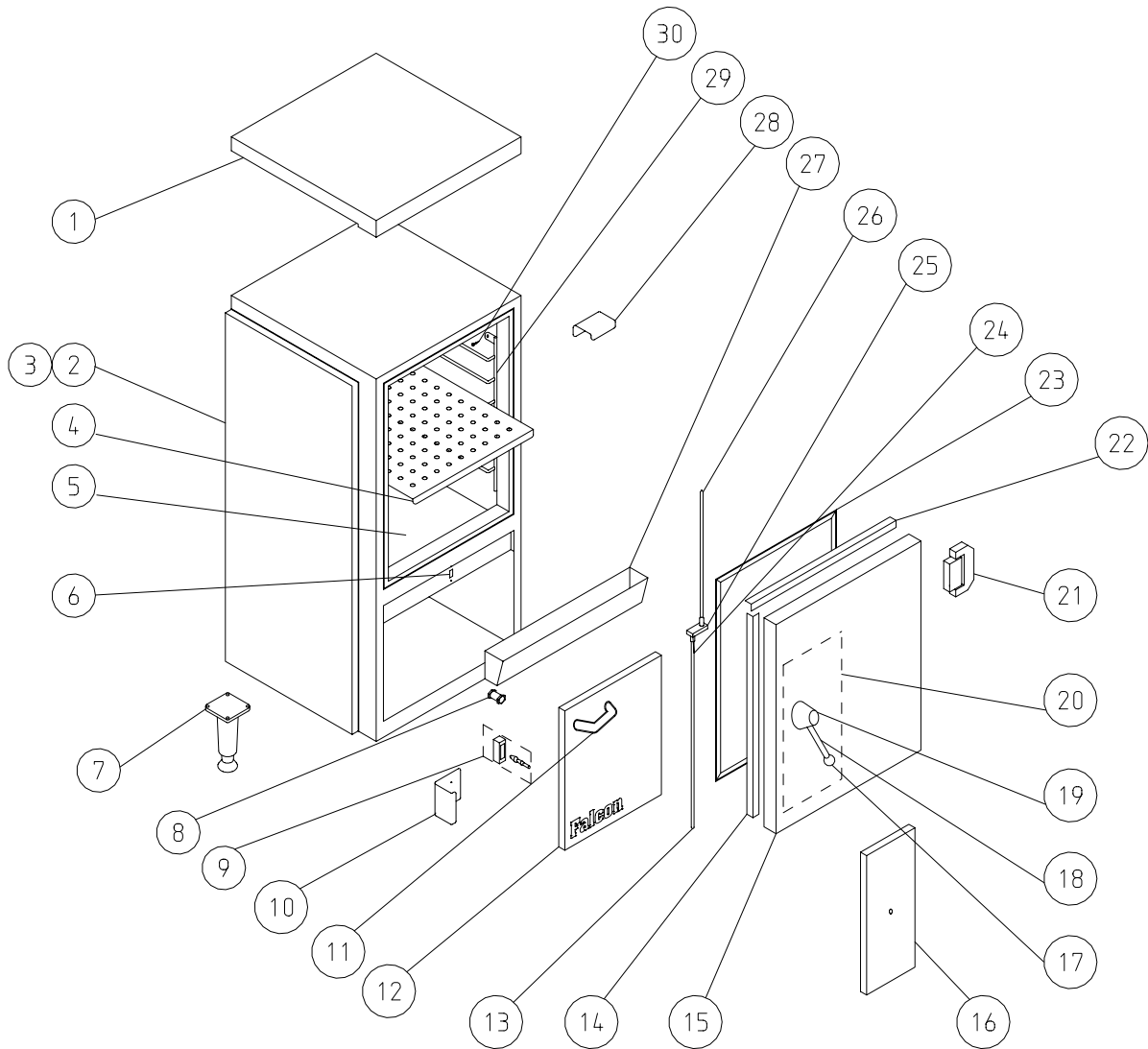
RZZ349 Ref. 1

Falcon Foodservice Equipment
HEAD OFFICE and WORKS
PO Box 37 Larbert Scotland FK5 4PL

AFE SERVICELINE CONTACT
Tel: 01438 363 000 Fax: 01438 369 900

G6478 STEAMING OVEN

FITMENTS



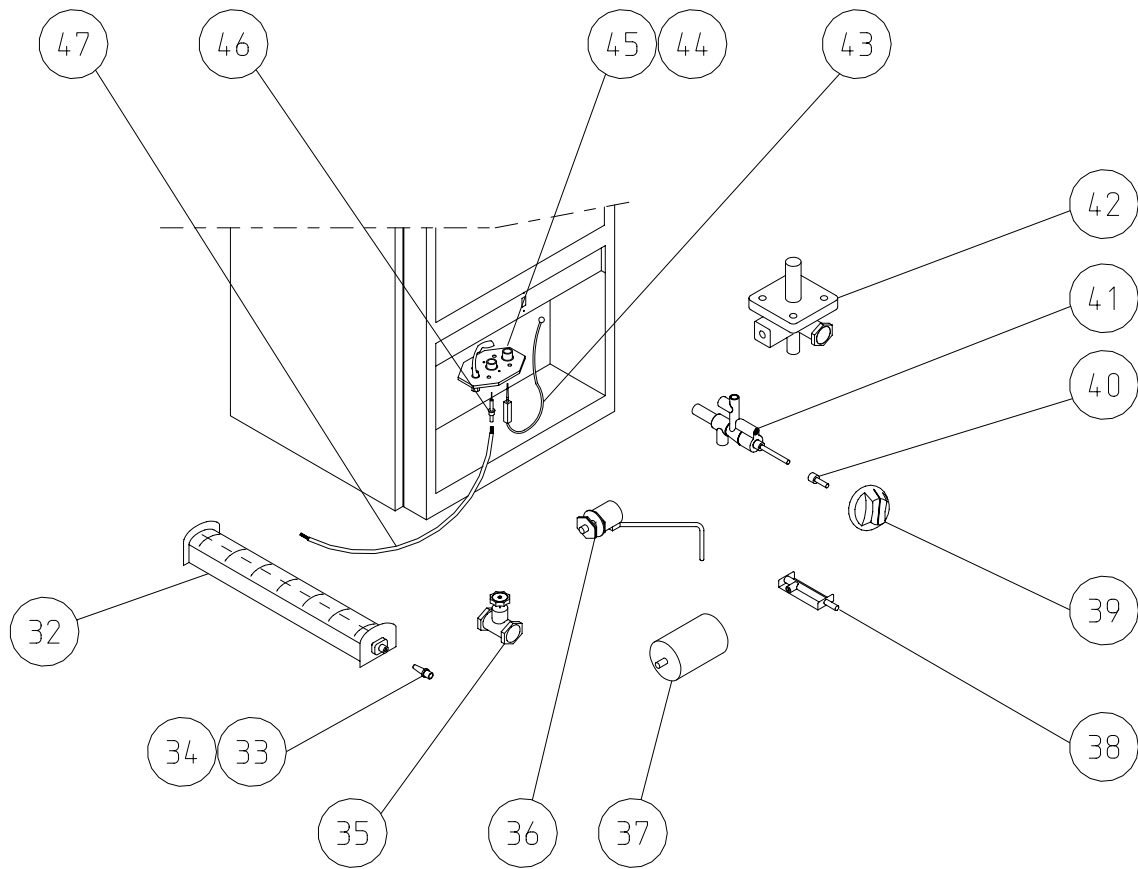
Item	Spares No.	Description
1.	530843250	Outer top panel
2.	530843280	Outer side panel - LH
3.	530843281	Outer side panel - RH
4.	520840015	Shelf
5.	530843020	Oven chamber
6.	530840071	Sight glass
7.	530843080	Adjustable foot
8.	530843060	Drain cock for drip trough
9.	530843140	Bottom door catch
10.	530840160	Oven door latch bracket (lower)
11.	535850002	Bottom door handle
12.	535850001	Bottom door assembly
13.	530843141	Oven door rod (lower)
14.	530843133	Oven door seal clamp (vertical)
15.	530843169	Oven door assembly

Item	Spares No.	Description
16.	535850003	Control panel
17.	530843100	Ball handle
18.	530843090	Ball handle rod
19.	530843180	Oven door handle boss
20.	530843210	Oven door handle assembly
21.	530843125	Oven door hinge
22.	530843132	Oven door seal clamp (horiz.)
23.	530843130	Oven door seal
24.	530843131	Oven door rod assembly (lower)
25.	530843091	Oven door handle bar
26.	530843121	Oven door rod ass'y (upper)
27.	530843260	Drip trough
28.	530843290	Oven door latch bracket (upper)
29.	530843021	Shelf hanger
30.	530840170	Shelf hanger screw

530843150 Oven door handle and mechanism (complete)
(not illustrated)

G6478 STEAMING OVEN

CONTROLS



Item	Spares No.	Description
32.	530840010	Burner
33.	530840020	Injector for burner (nat. gas)
34.	530840030	Injector for burner (prop. gas)
35.	534843010	Drain cock
36.	530843055	Cistern float valve
37.	530843040	Cistern float
38.	530840100	Piezo igniter
39.	530850004	Control knob
40.	530840051	Spindle adaptor
41.	530840045	Control valve
42.	535850005	Governor
43.	535840080	Thermocouple
44.	530840060	Pilot assembly (nat. gas)
45.	530840070	Pilot assembly (prop. gas)
46.	530840090	Electrode
47.	530840110	Electrode lead